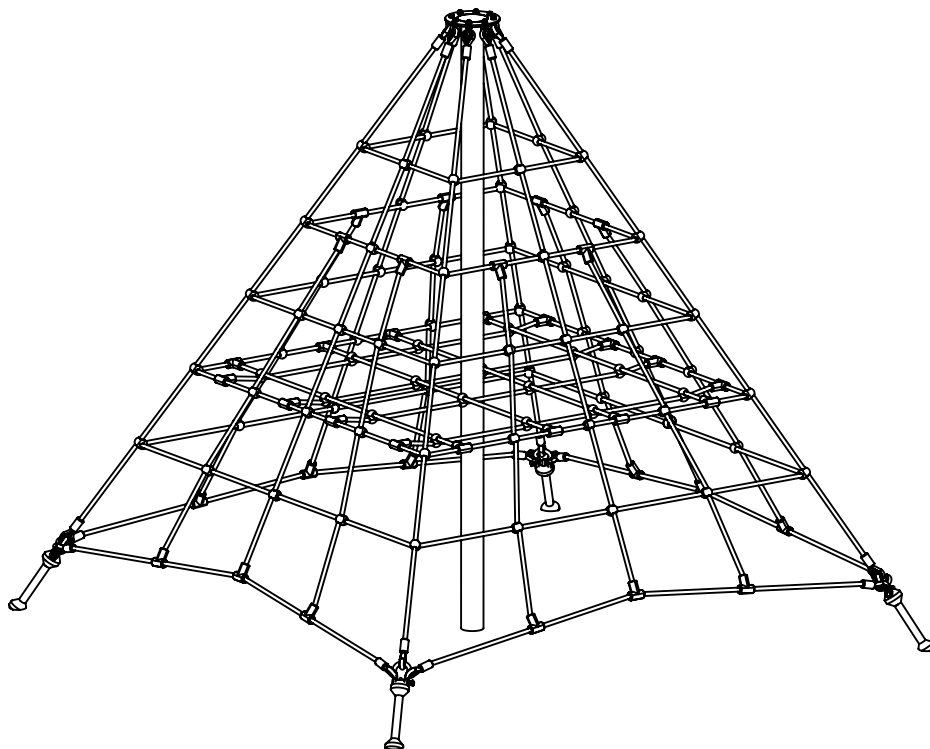
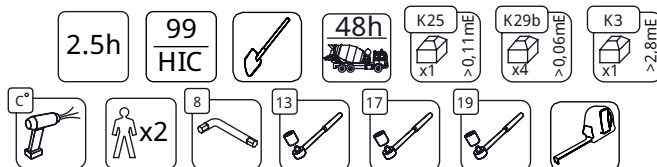


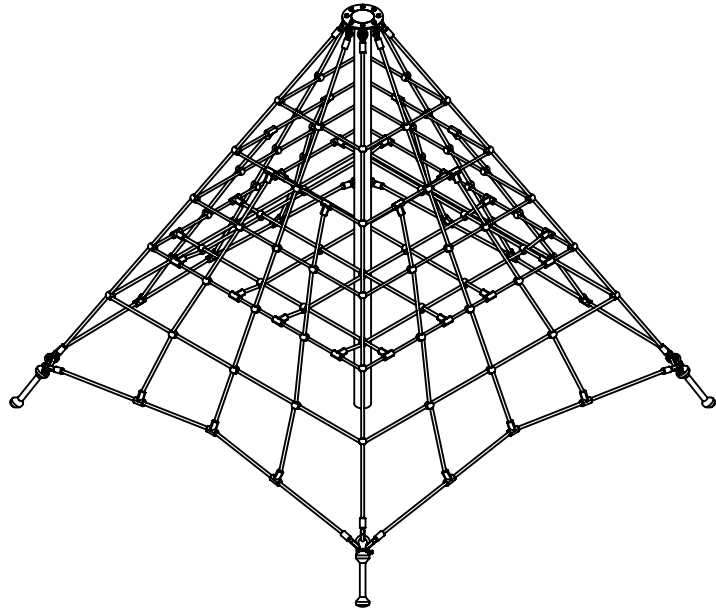
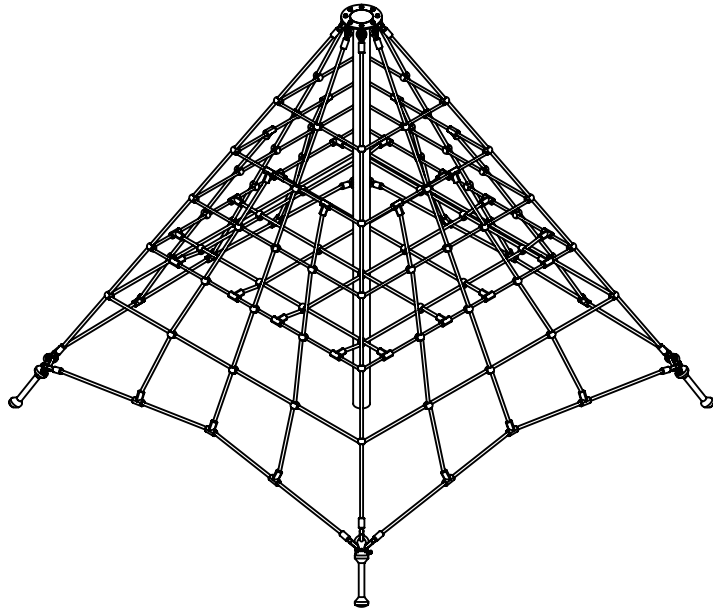
JPVRM25

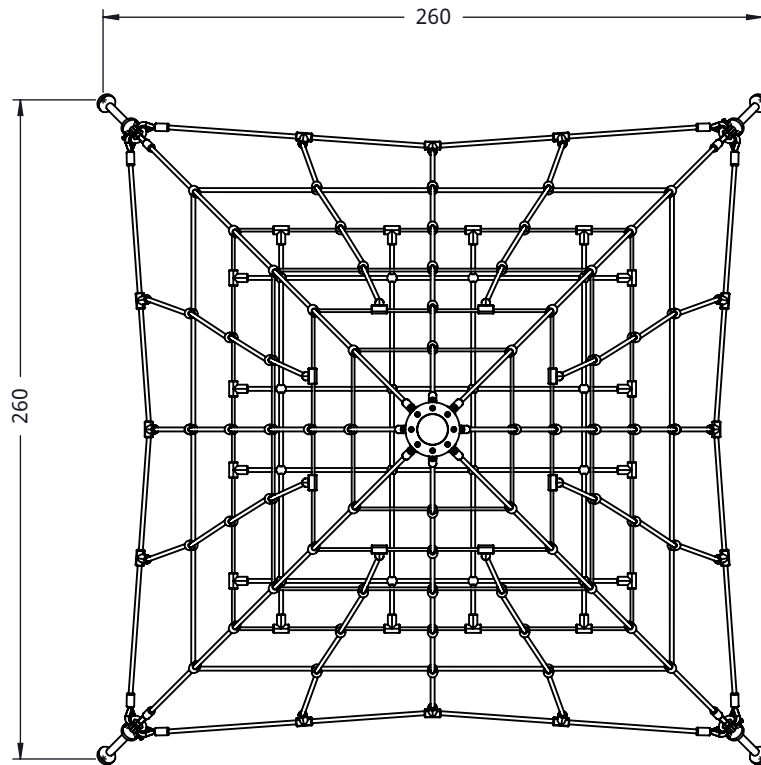
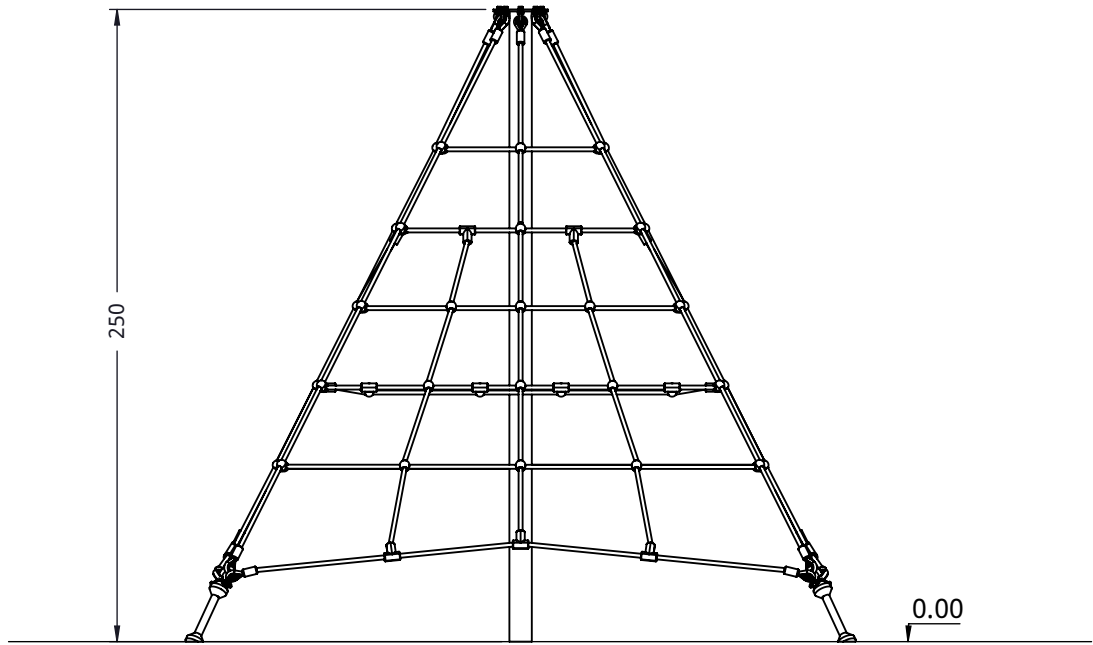


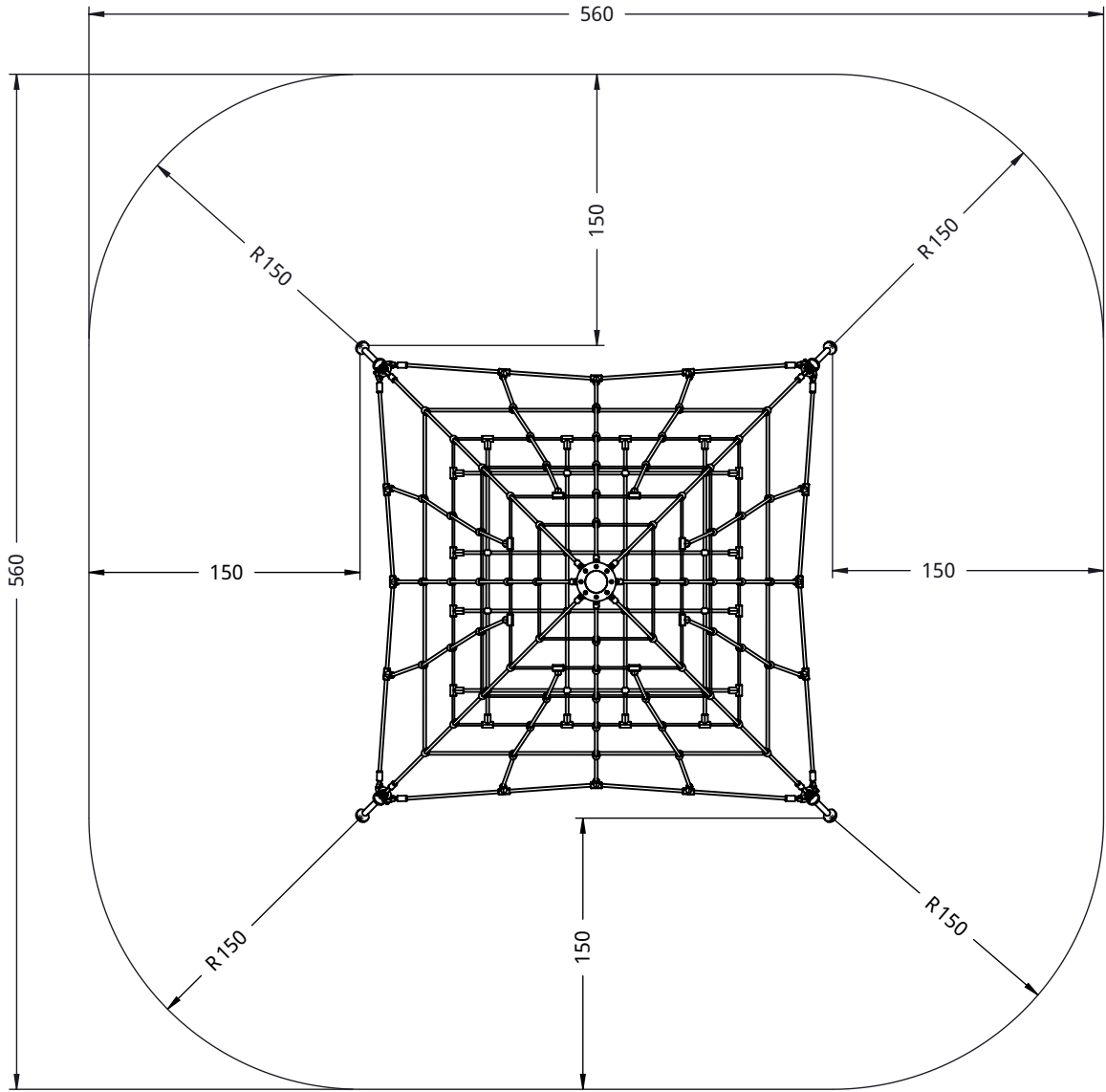
v011
25.09.2020
A. H.
[cm]

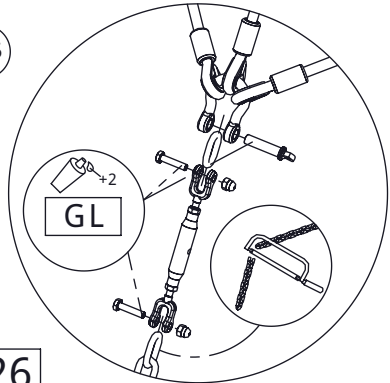
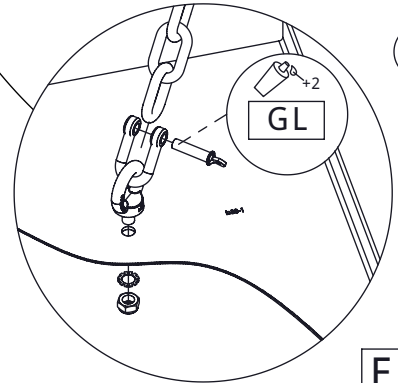
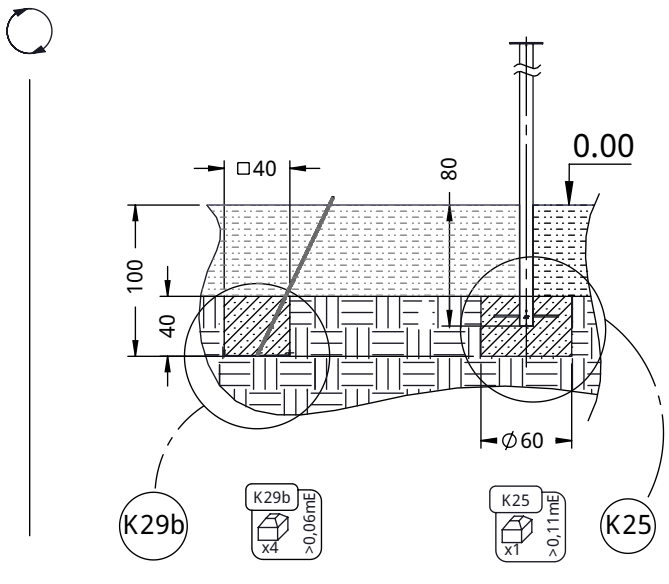
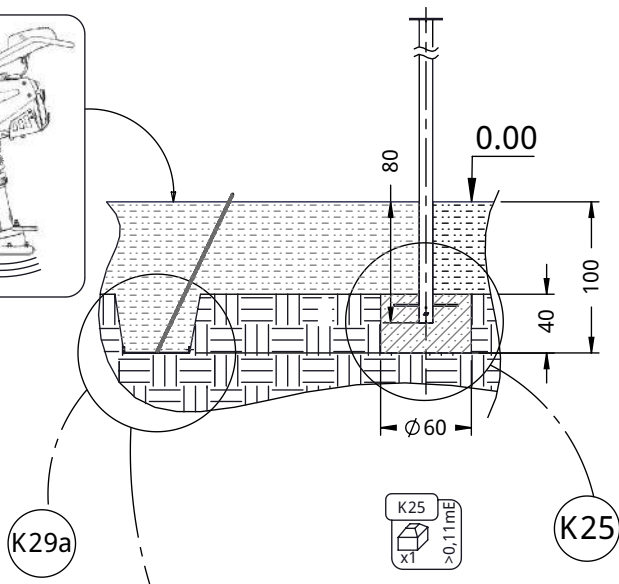
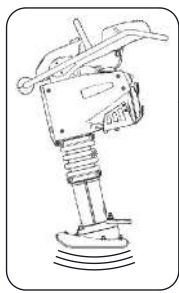


BENITO
-Play

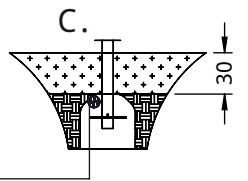
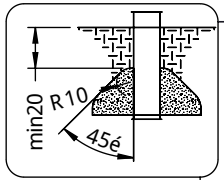
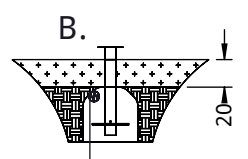
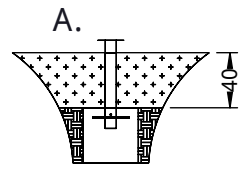
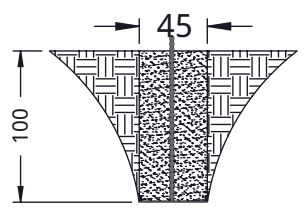
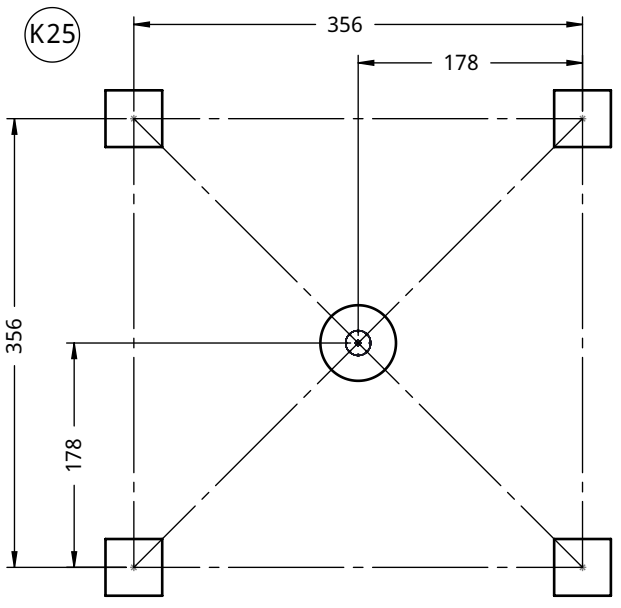








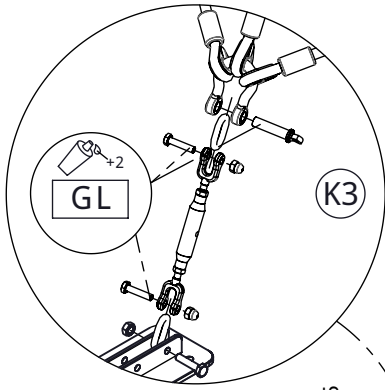
E226
E224



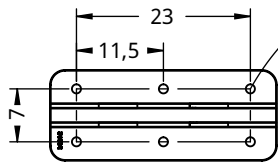
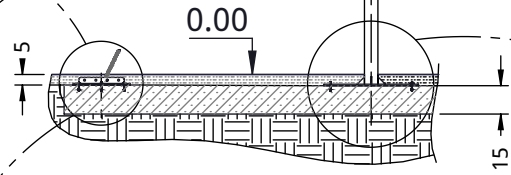
[cm]


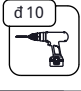

x2
 2.5h

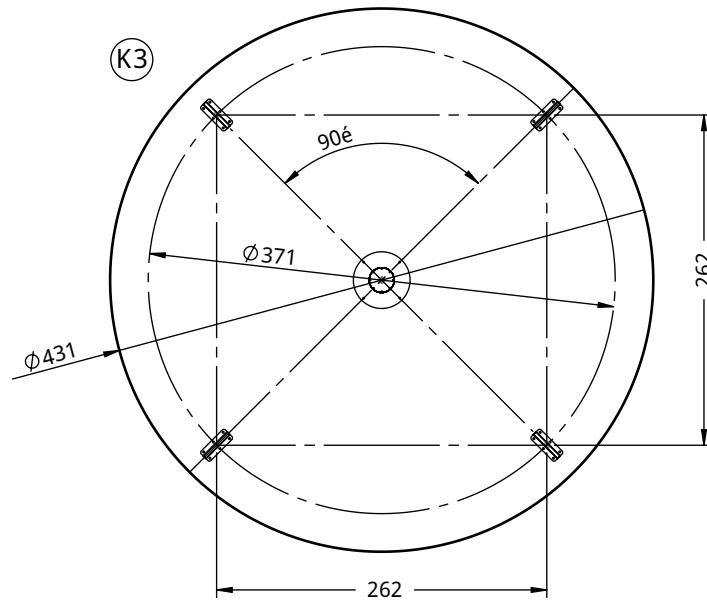
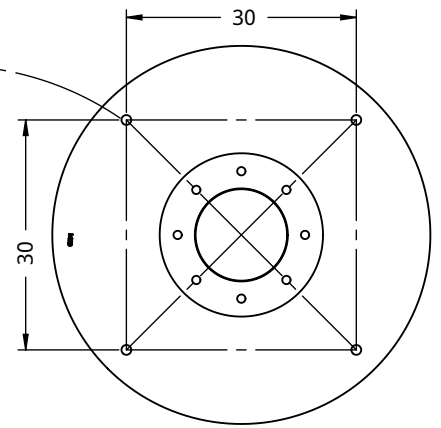
 48h



E 225



	K3
M10x120 x28	 $\varnothing 10$
NOT INCLUDED	



[cm]



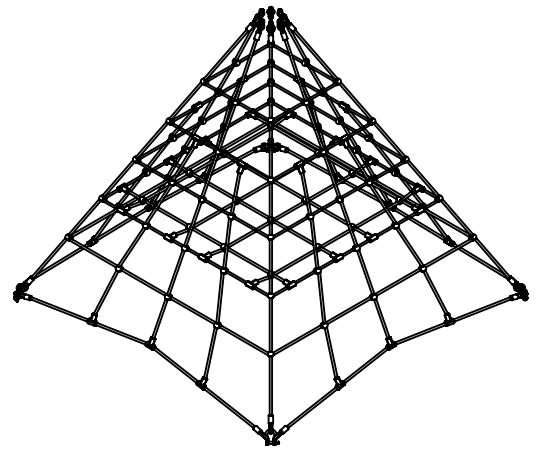
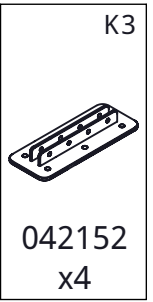
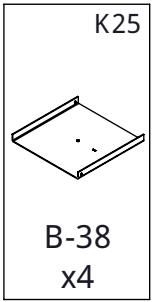
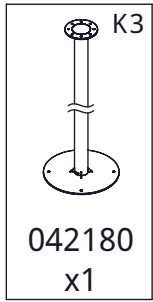
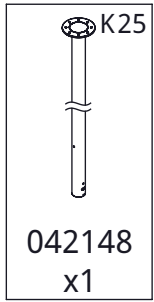
2.5h



48h

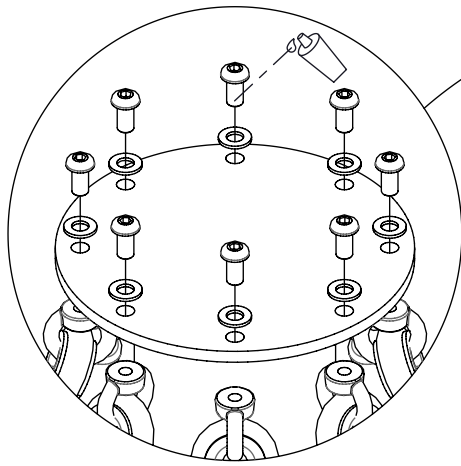


K3
>2.8mE

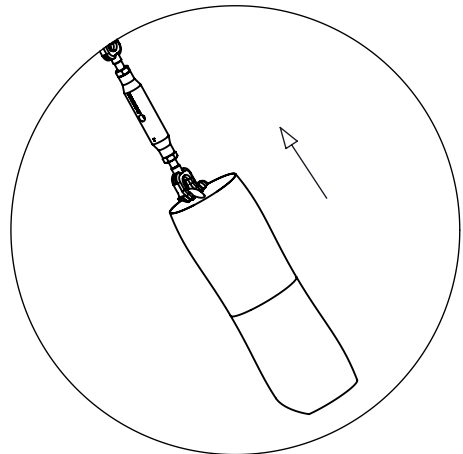
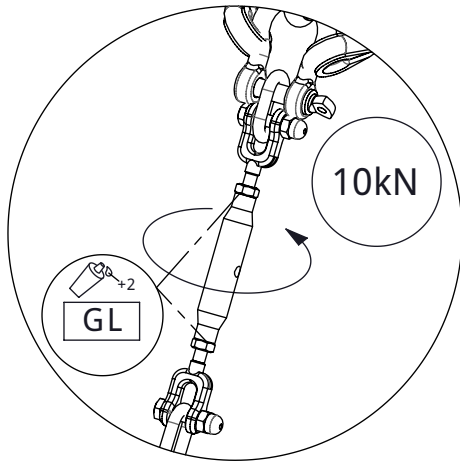
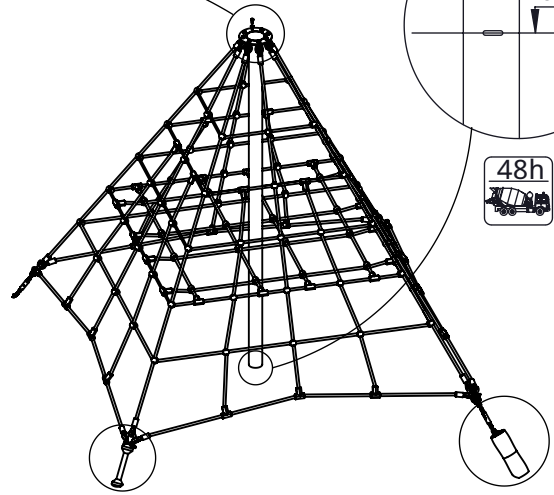


045115
x1

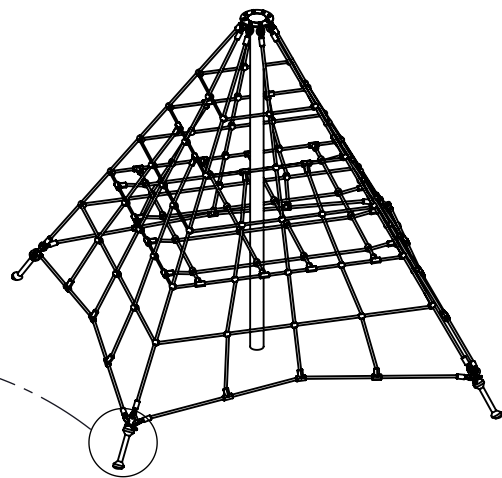
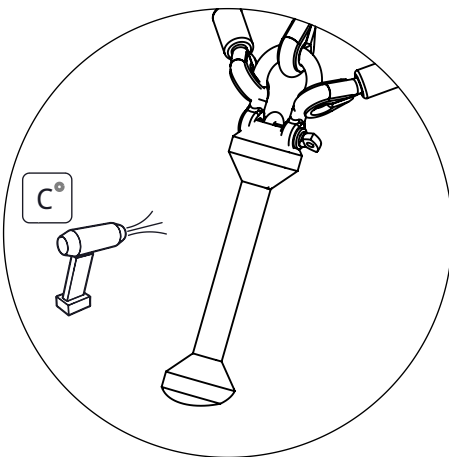
	ST/INOX
1x	E 185
1x	E 200
1x	GL
4x	E 224 <small>(K25)</small>
4x	E 226 <small>(K25)</small>
4x	E 225 <small>(K3)</small>
1x	V002



E 185



E 200



[cm]

