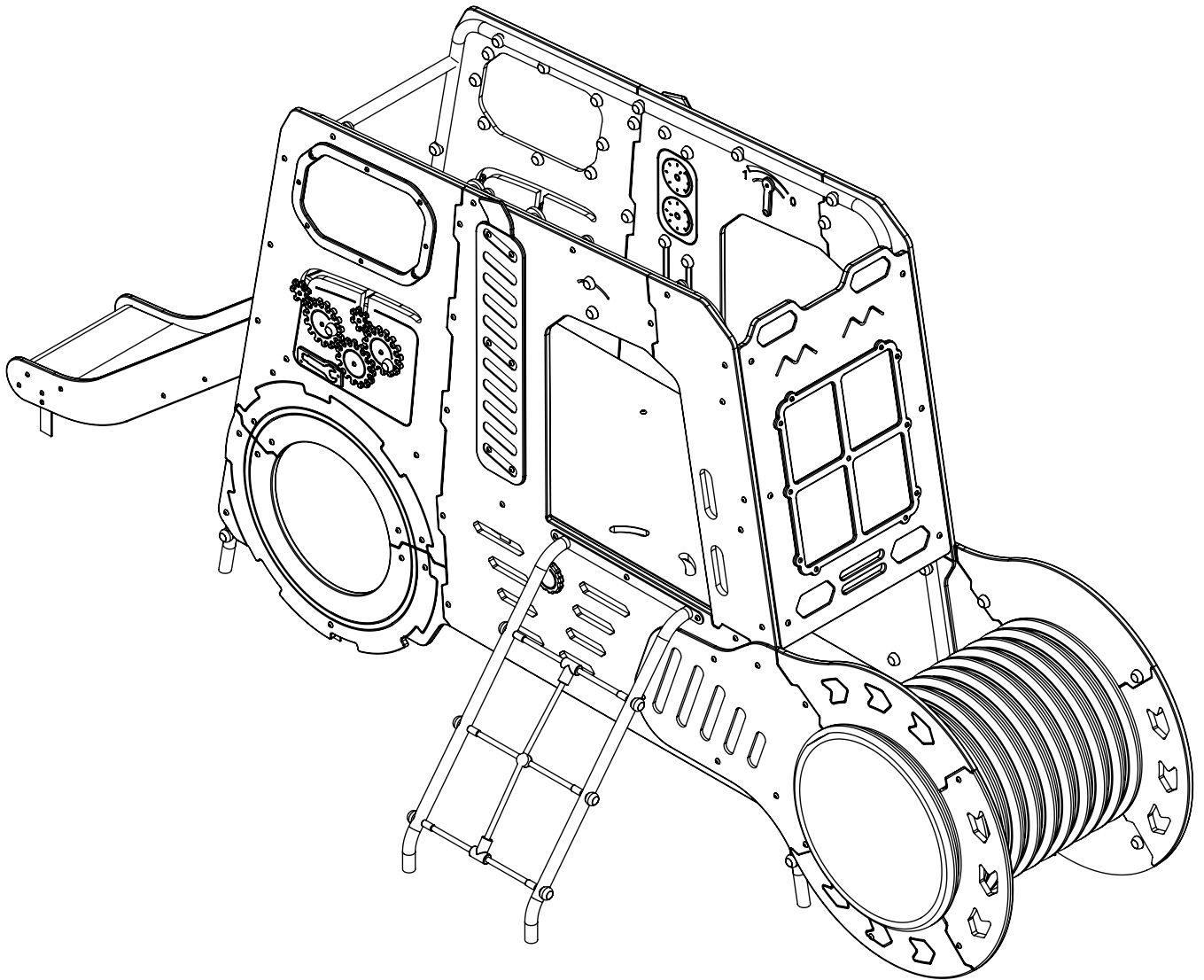
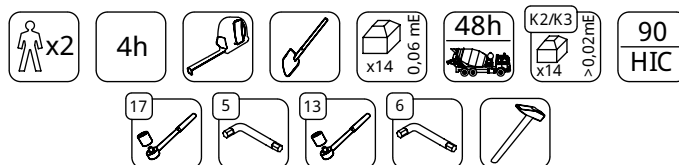


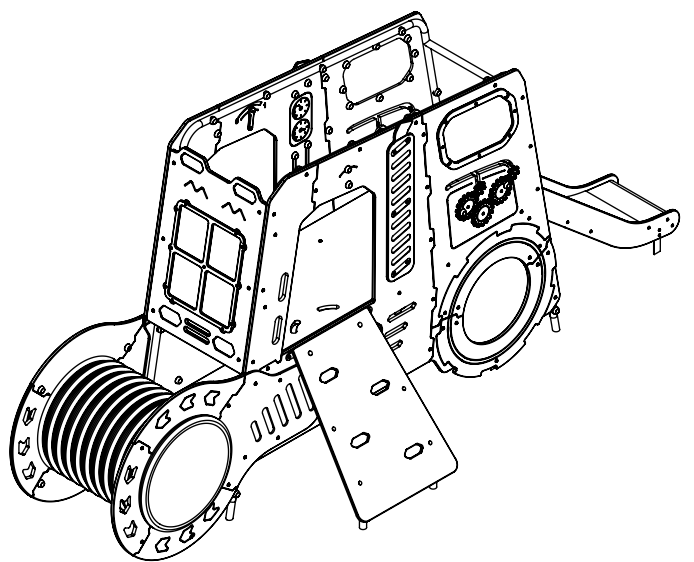
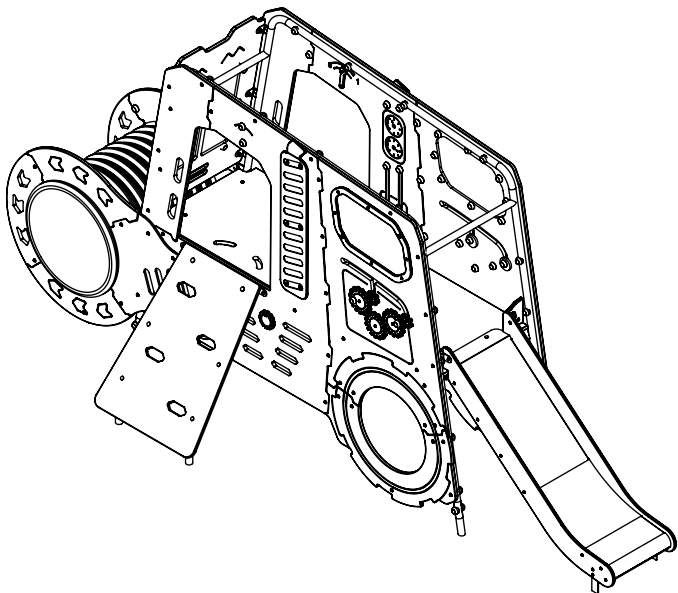
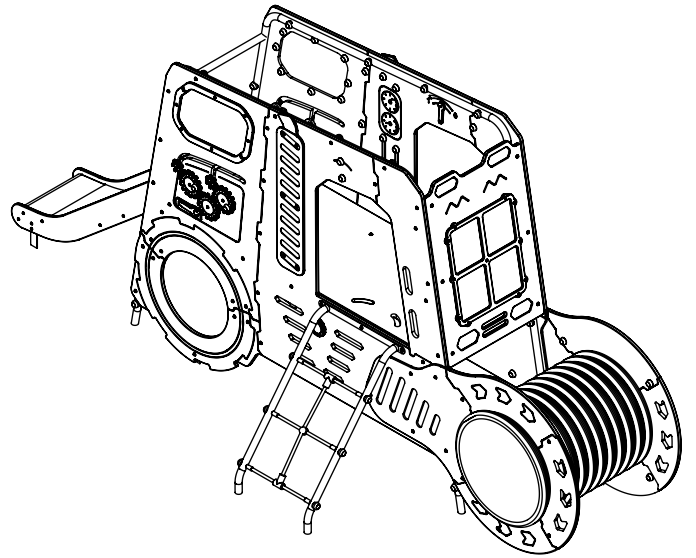
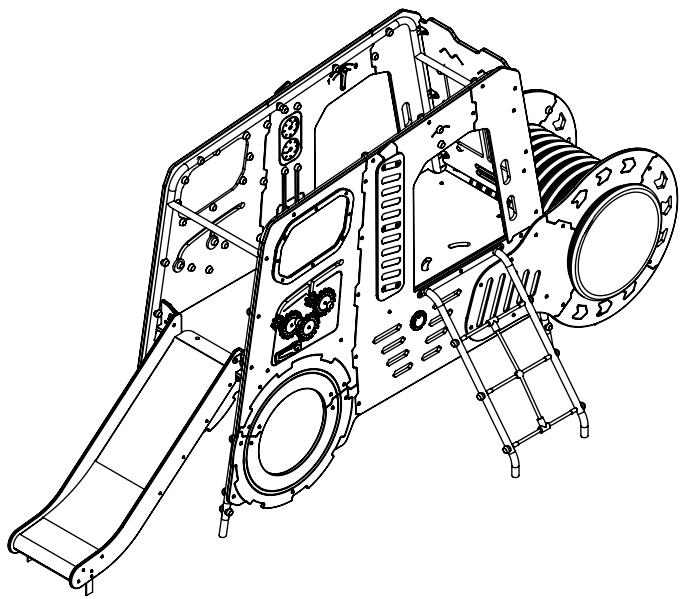
# JPVS02

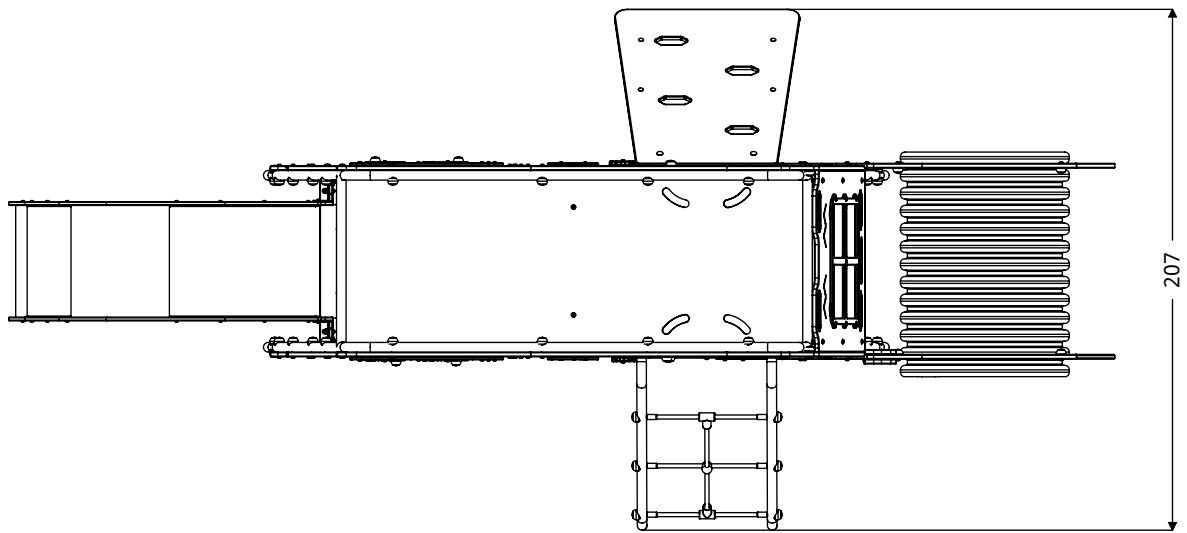
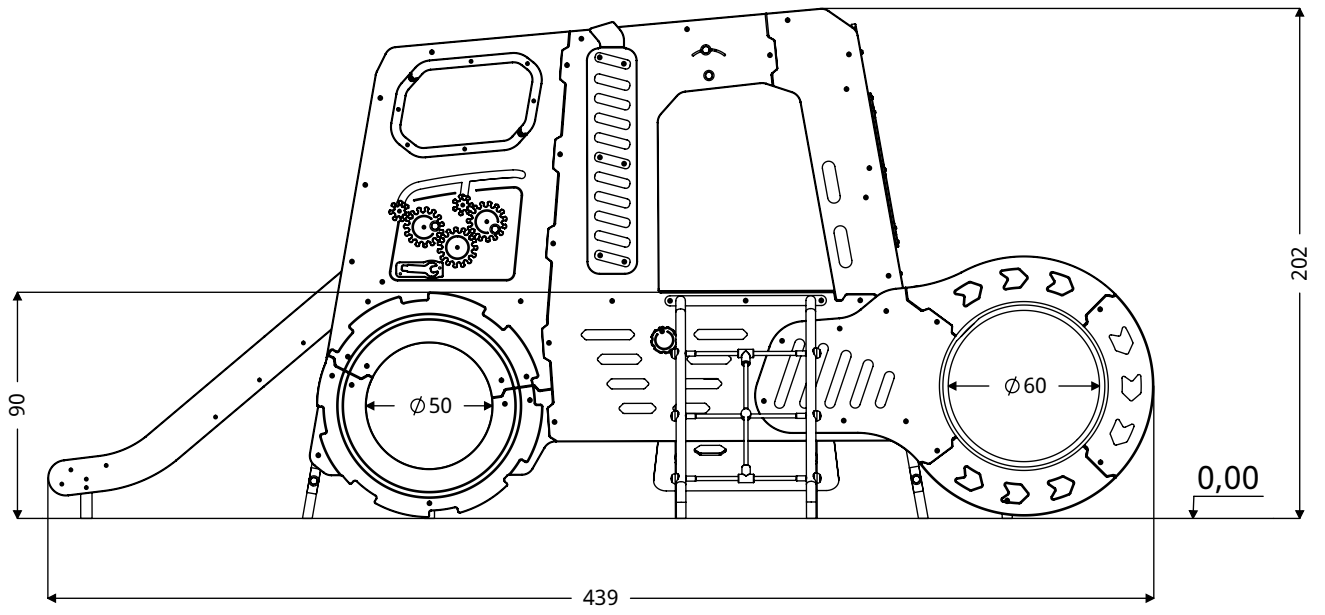


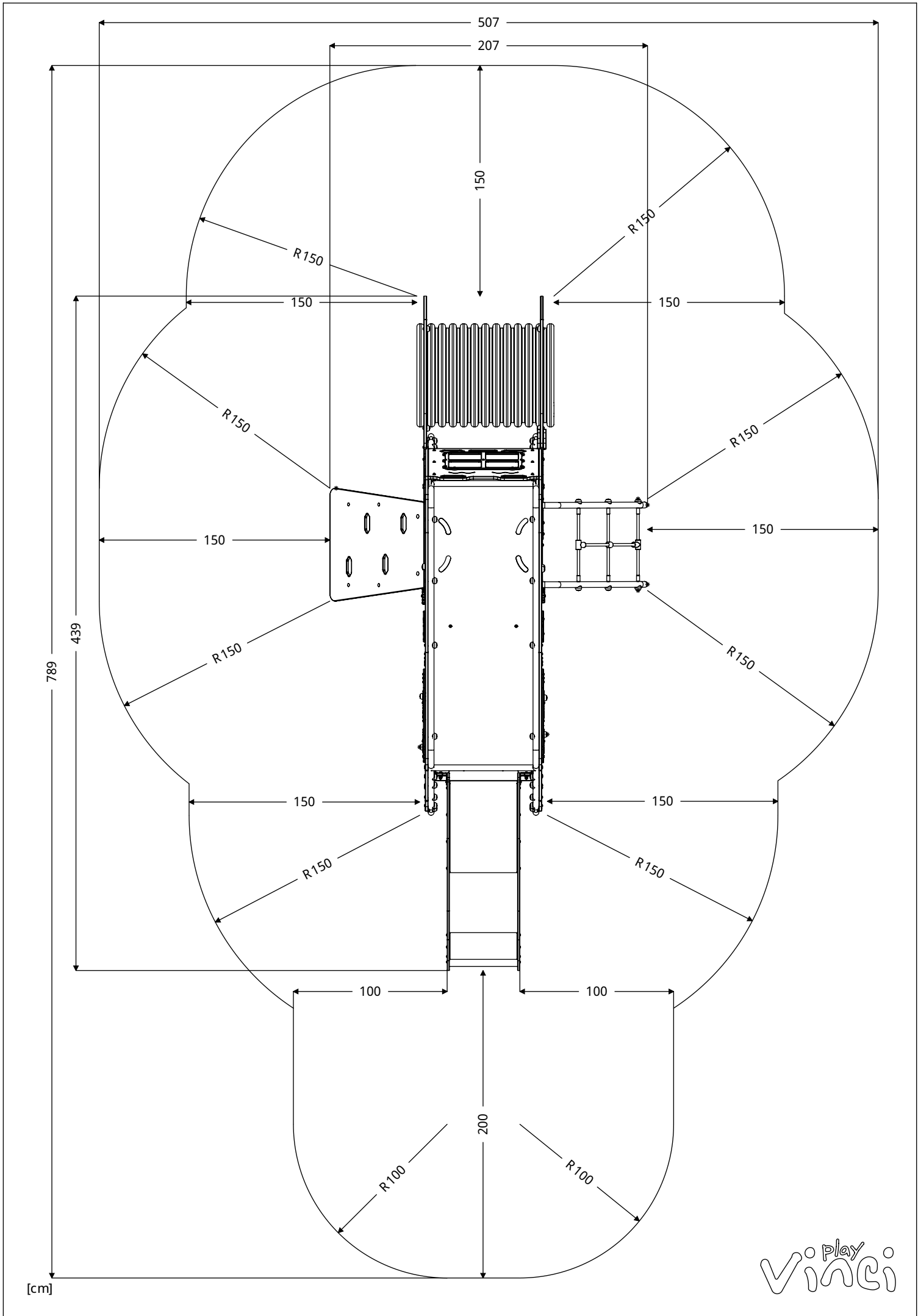
[cm]  
v011  
03.10.2019  
A.H.



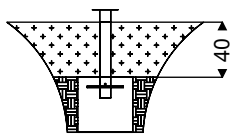
**BENITO**  
**-Play**



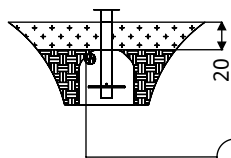




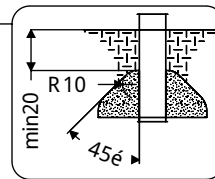
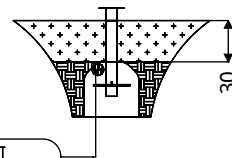
A.



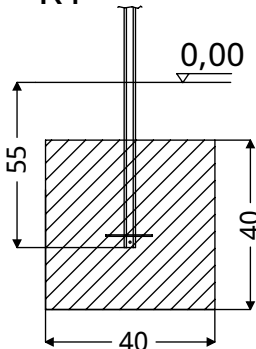
B.



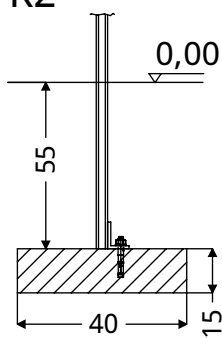
C.



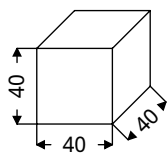
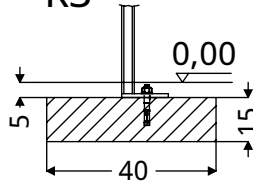
K1


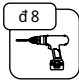




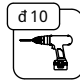

K2

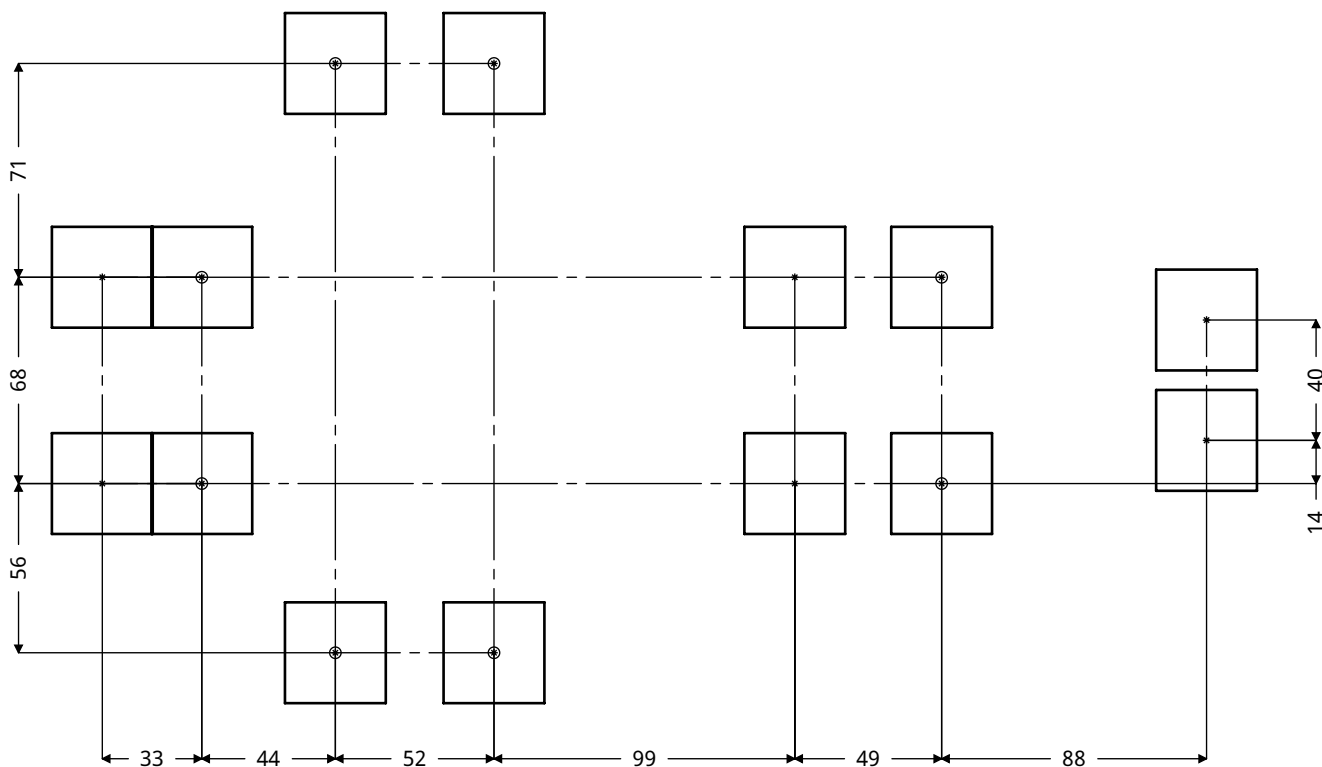


K3



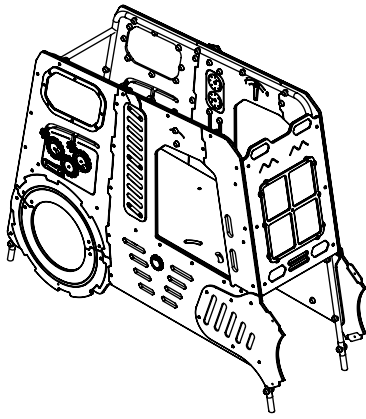
	K2
M8x120 x4	
NOT INCLUDED	

	K3
M10x120 x4	
NOT INCLUDED	



[cm]

	4h				0,06 mE		48h		K2/K3	>0,02mE		K1	>0,06mE
-------------------------------------------------------------------------------------	----	-------------------------------------------------------------------------------------	-------------------------------------------------------------------------------------	-------------------------------------------------------------------------------------	---------	-------------------------------------------------------------------------------------	-----	--------------------------------------------------------------------------------------	-------	---------	---------------------------------------------------------------------------------------	----	---------



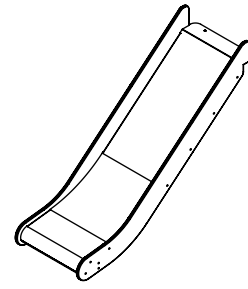
x1



B120  
x1



311123  
x1



994103  
x1



996156  
x1



311157  
x1



311158  
x1



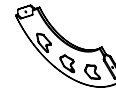
311173  
x1



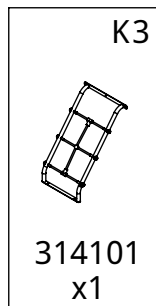
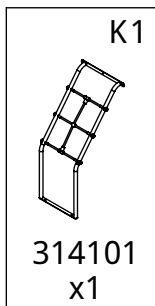
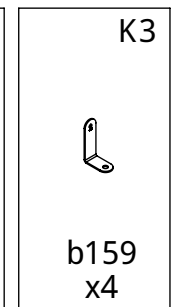
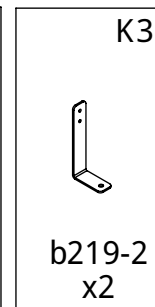
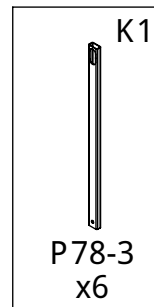
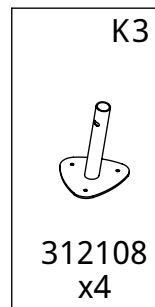
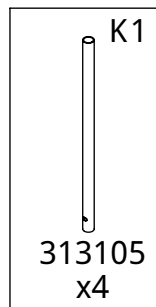
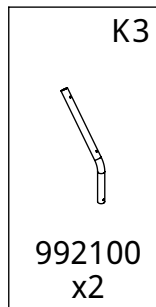
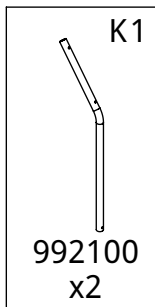
311171  
x1



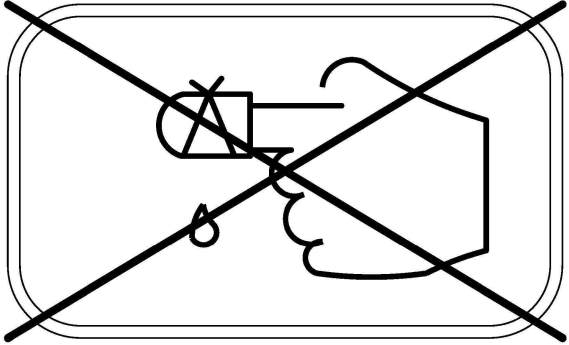
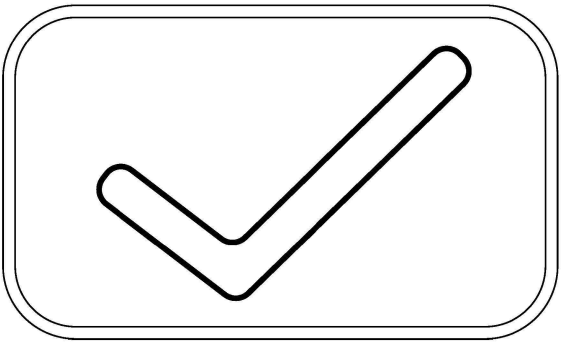
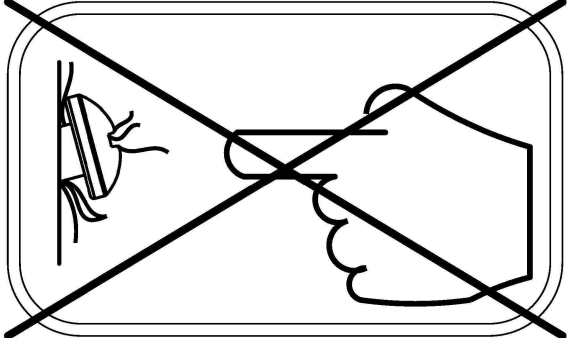
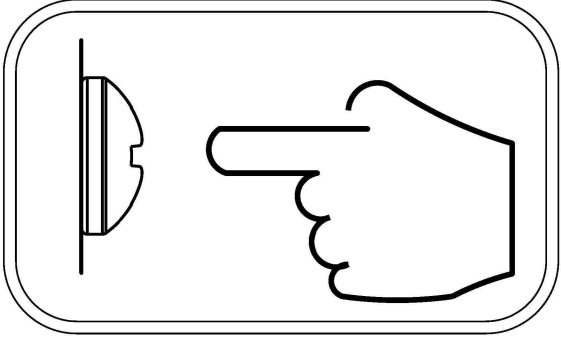
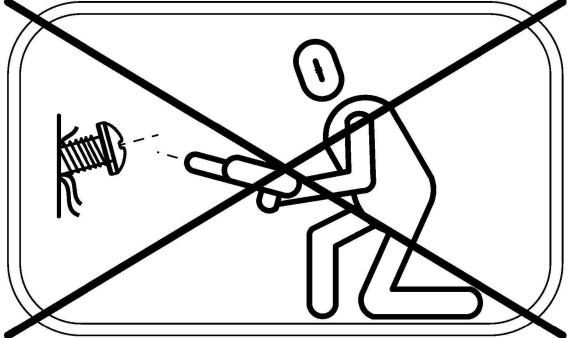
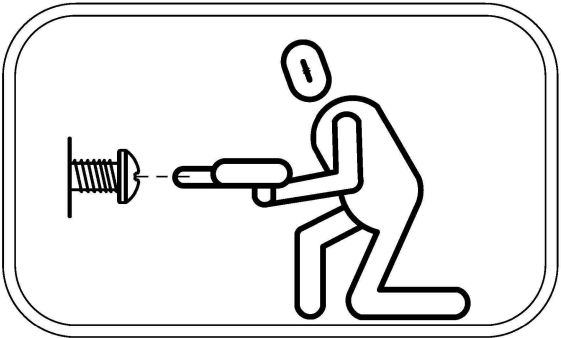
311172  
x1

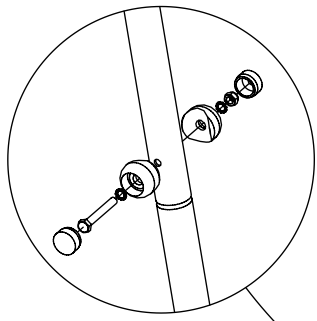


311159  
x1

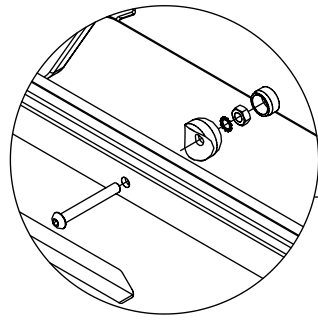


ST/INOX		HDPE / PLY		HPL	
1x	E 34 (K1, K3)	1x	PS 72 (S1)	1x	PH72 (S1)
1x	E 88 (K3)	1x	PS 73 (S6)	1x	PH73 (S6)
2x	E 189 (K1, K3)	1x	PS 74	1x	PH74
1x	V001	2x	CE 85		
		1x	CE 86		
		1x	CE 87		
		2x	CE 88		
		2x	CE 90 (K1)		
		2x	CE 84 (K3)		

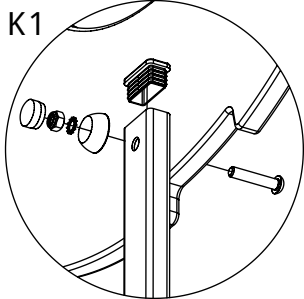
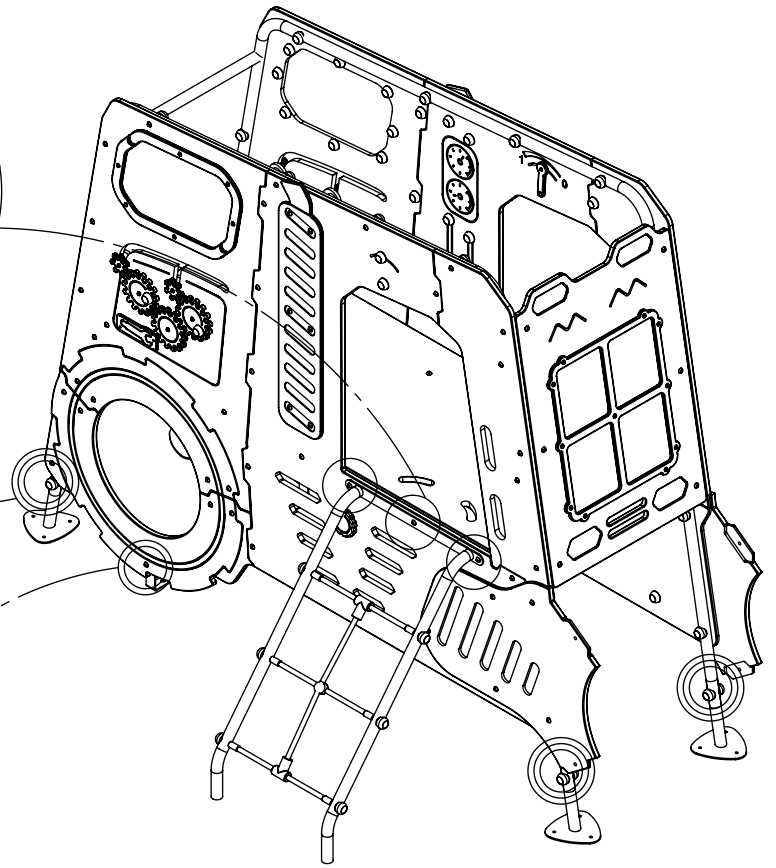




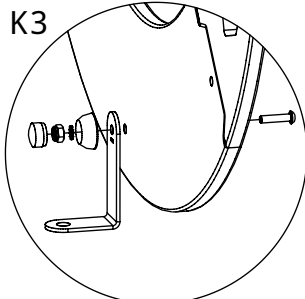
2x E189



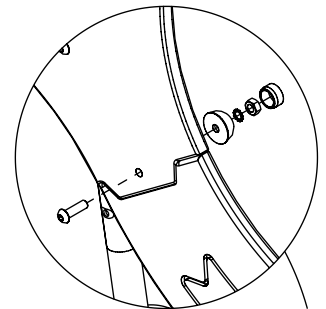
1x <sup>HDPE</sup> CE85



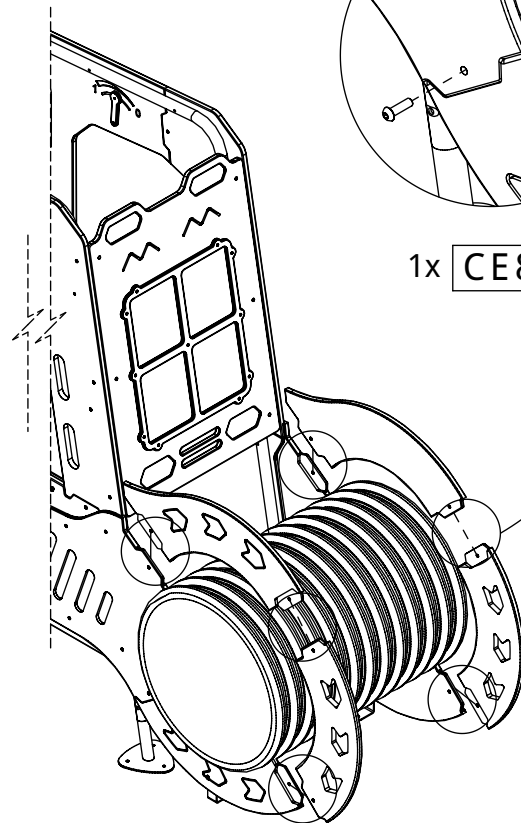
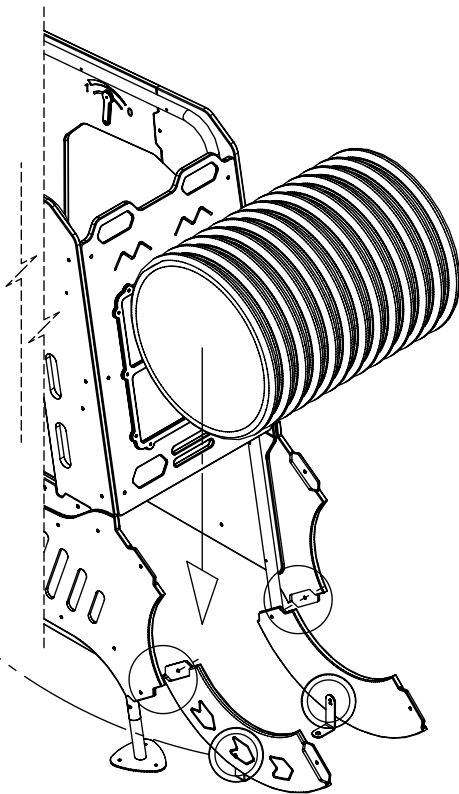
K1  
2x <sup>HDPE</sup> CE90



K3  
2x <sup>HDPE</sup> CE84



1x <sup>HDPE</sup> CE87



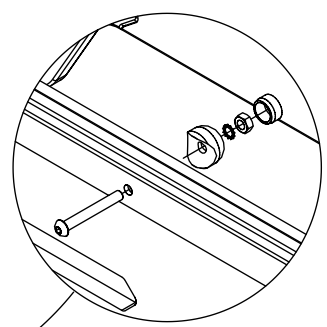
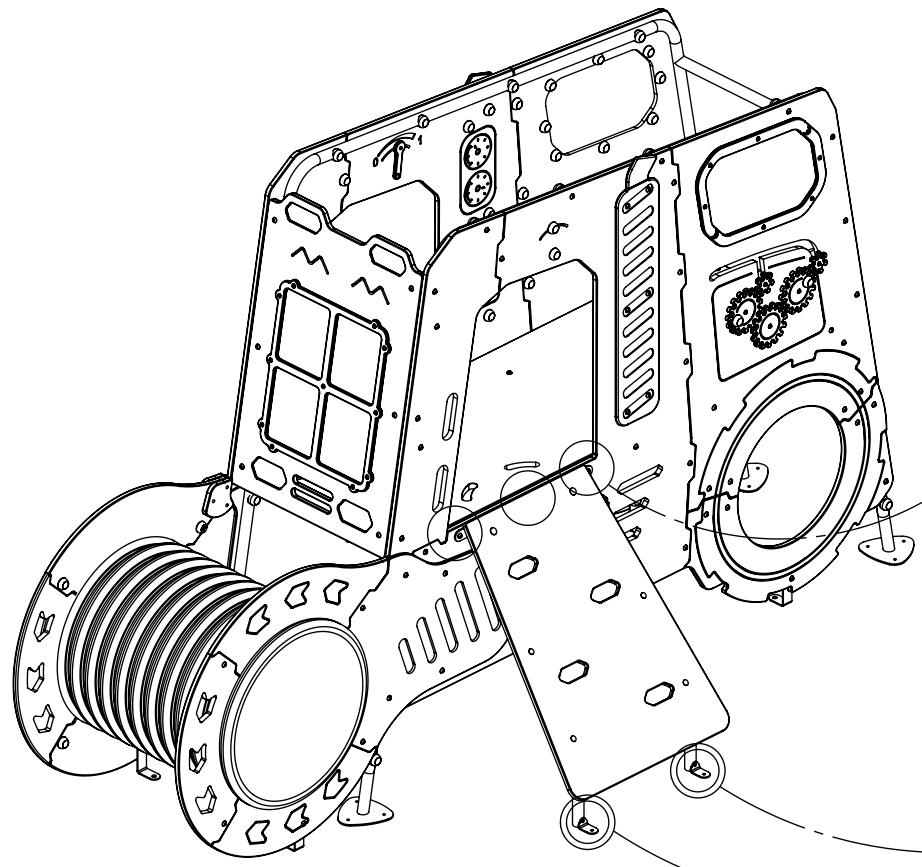
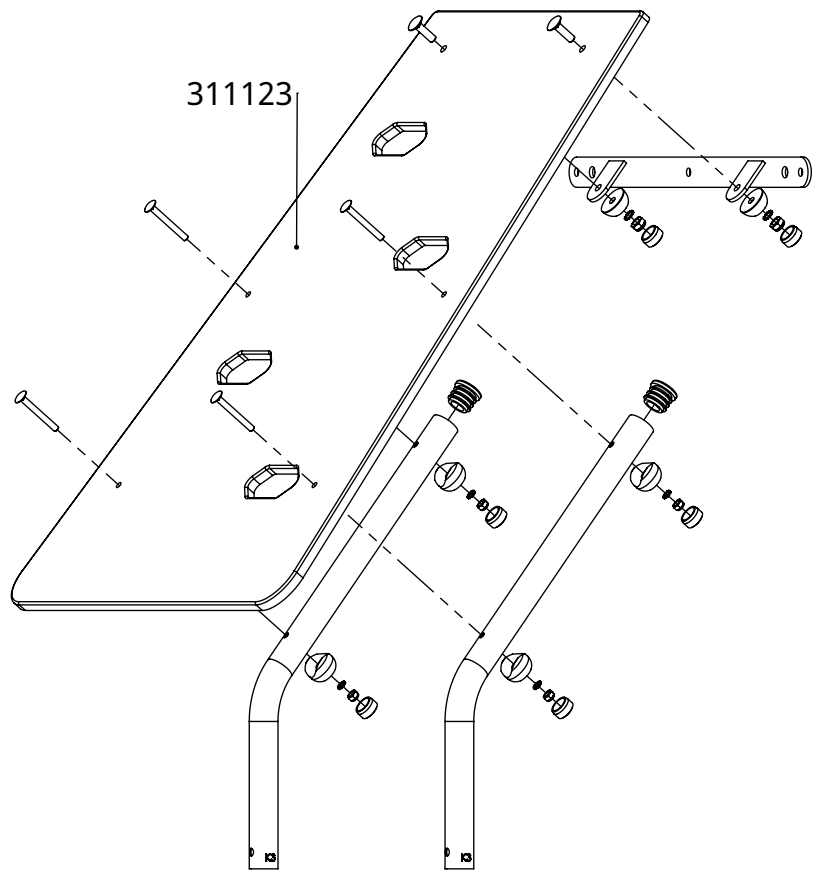
[cm]



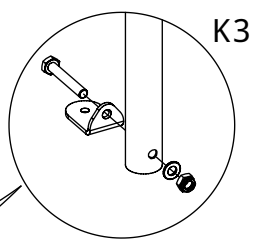


PLYWOOD  
1x PS74

HPL  
1x PH74



HDPE  
1x CE85



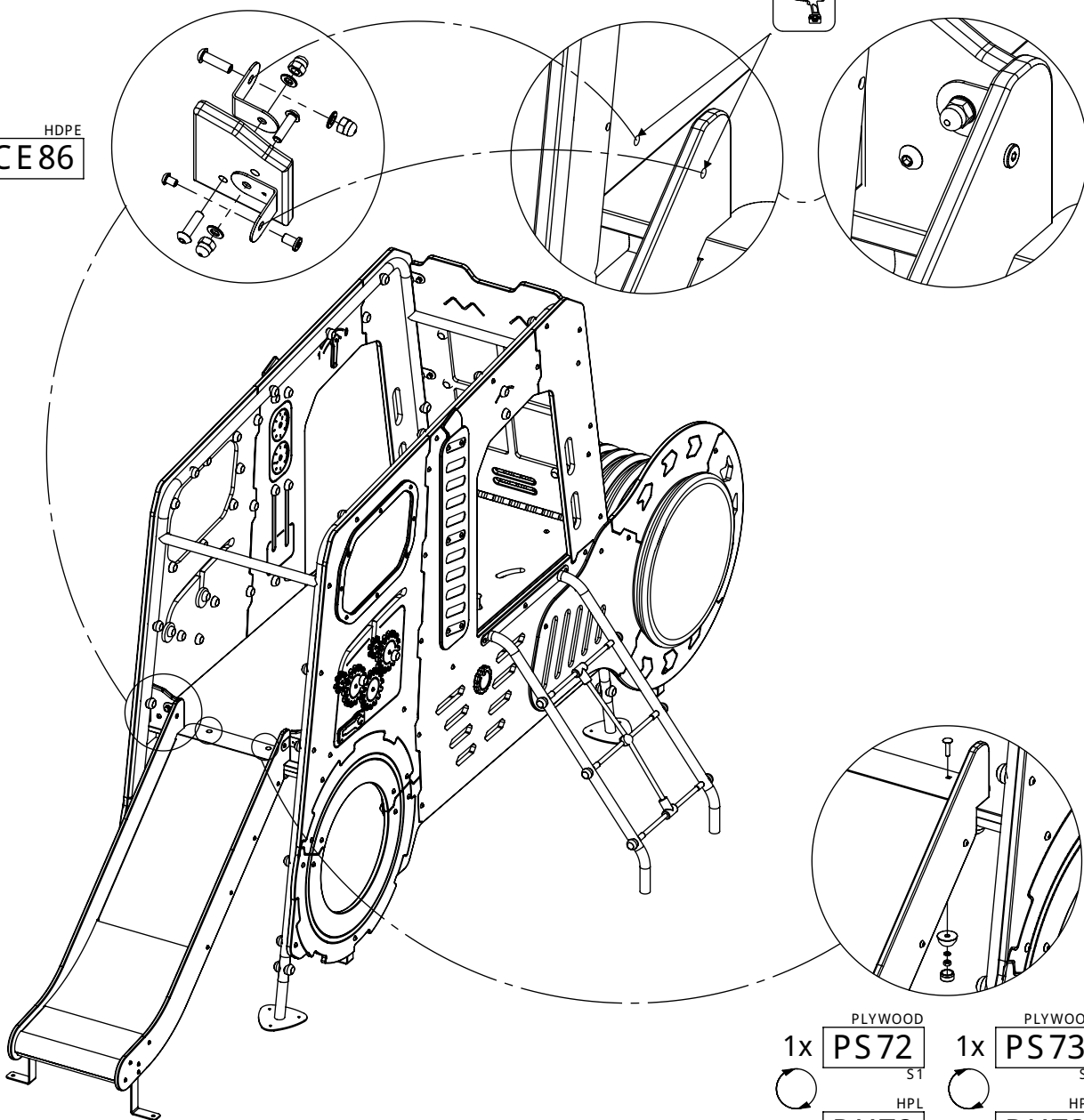
1x E88

K3

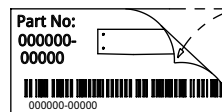
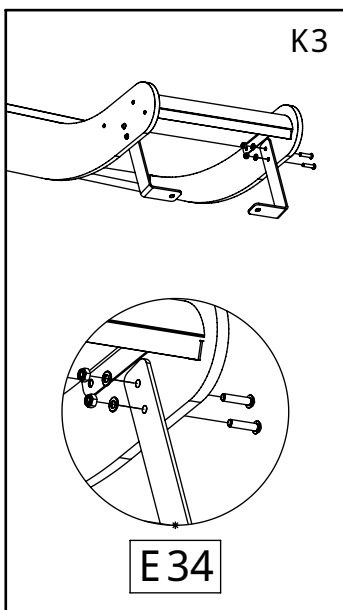
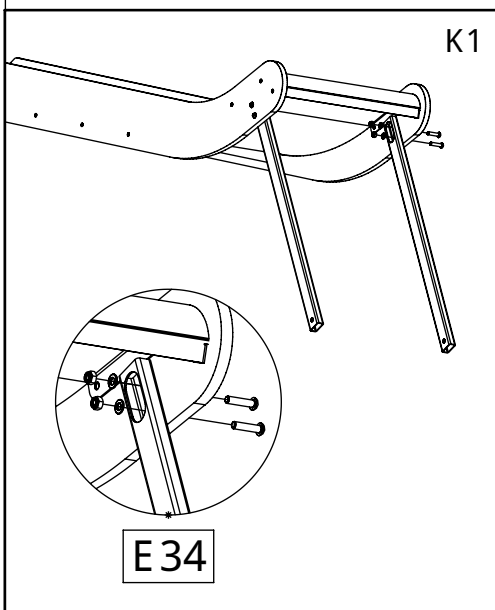
[cm]



1x HDPE  
CE86



	PLYWOOD		PLYWOOD
1x	PS72 S1	1x	PS73 S6
1x	PH72 S1	1x	PH73 S6



[cm]

