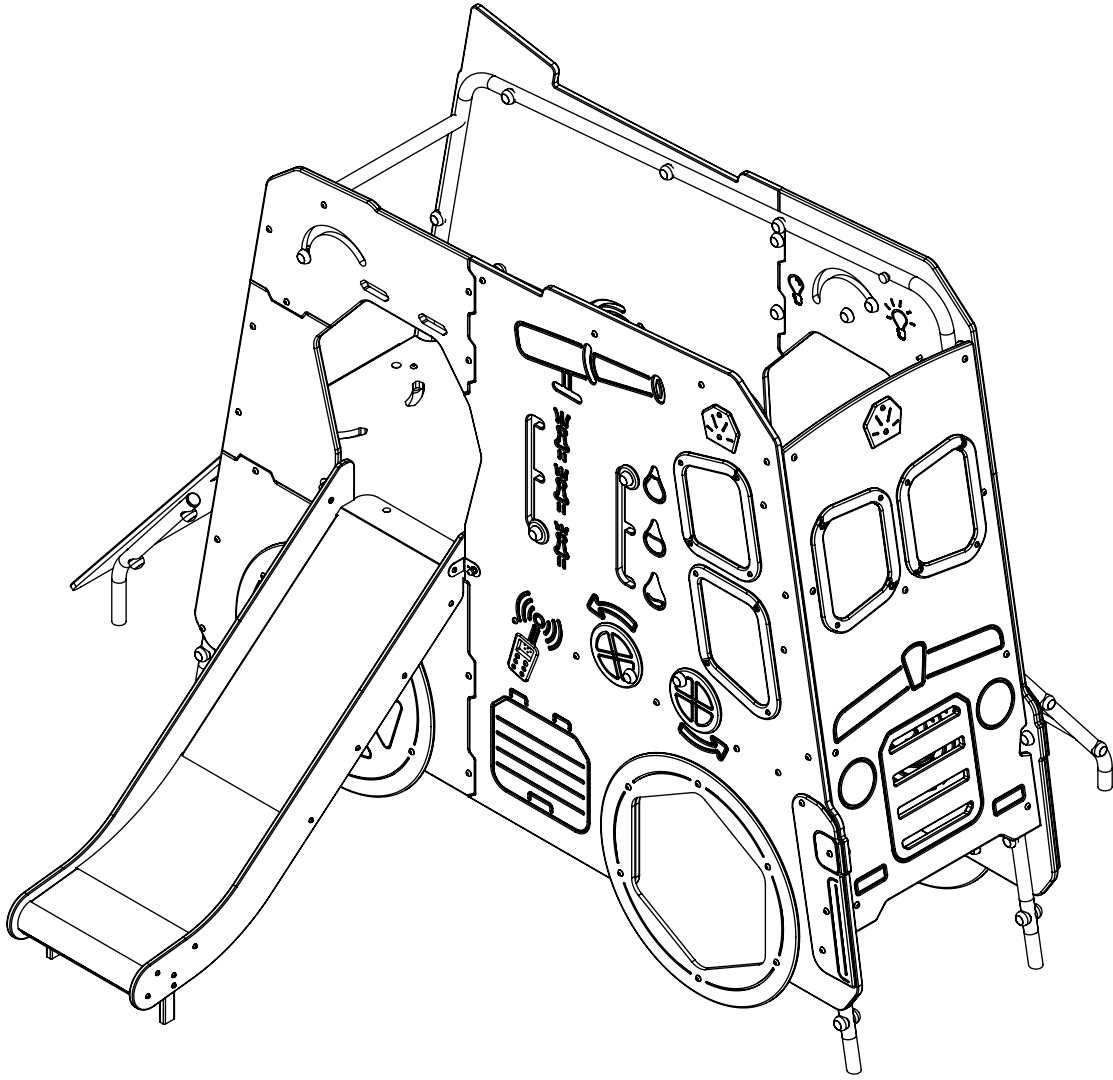
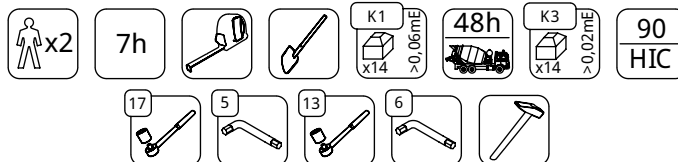


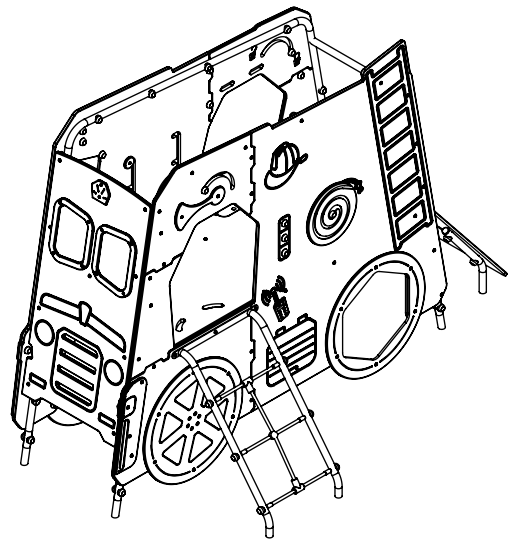
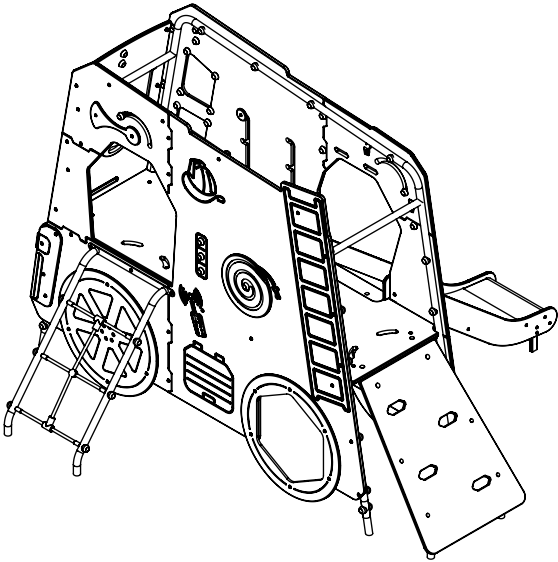
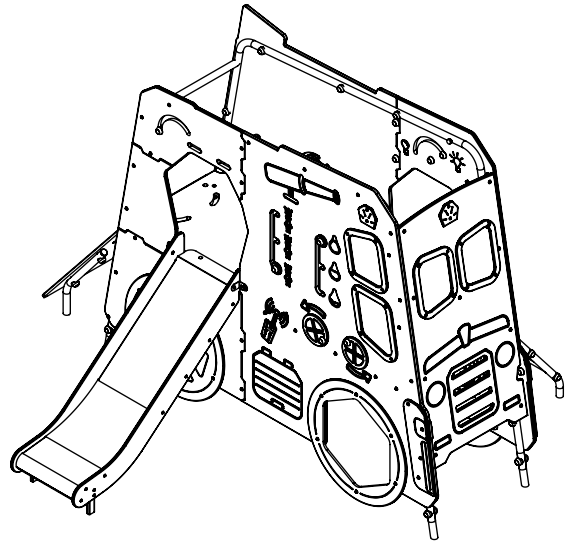
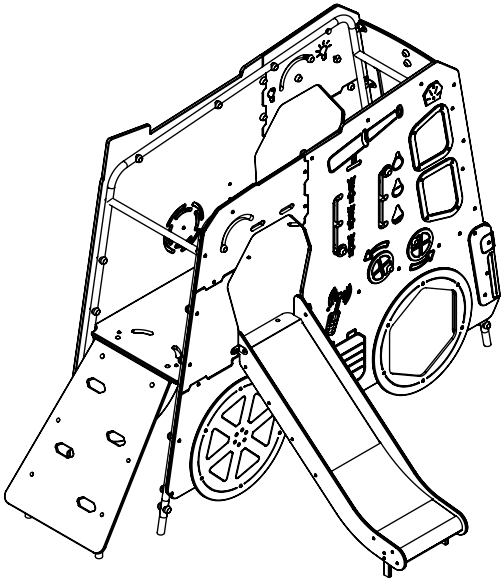
# JPVS04

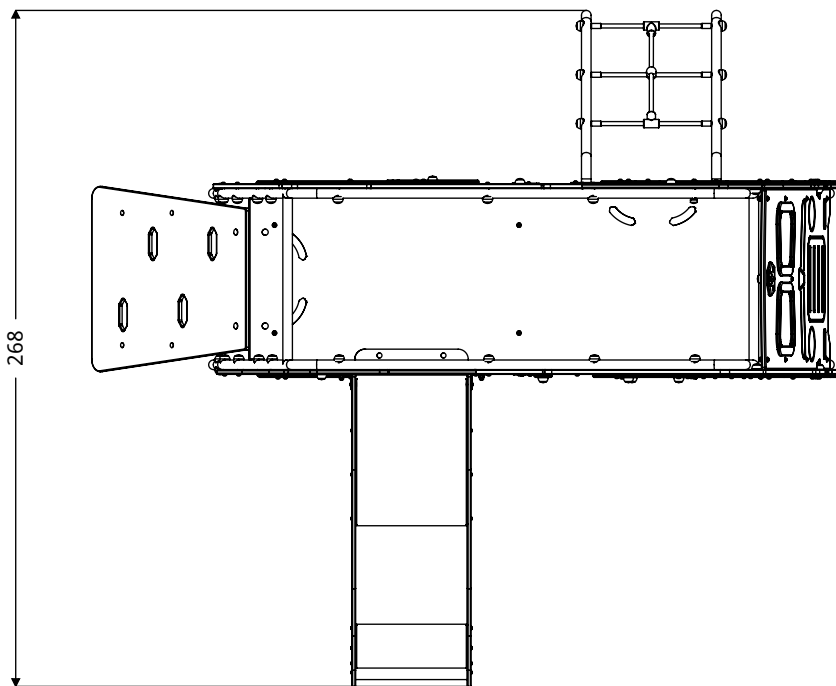
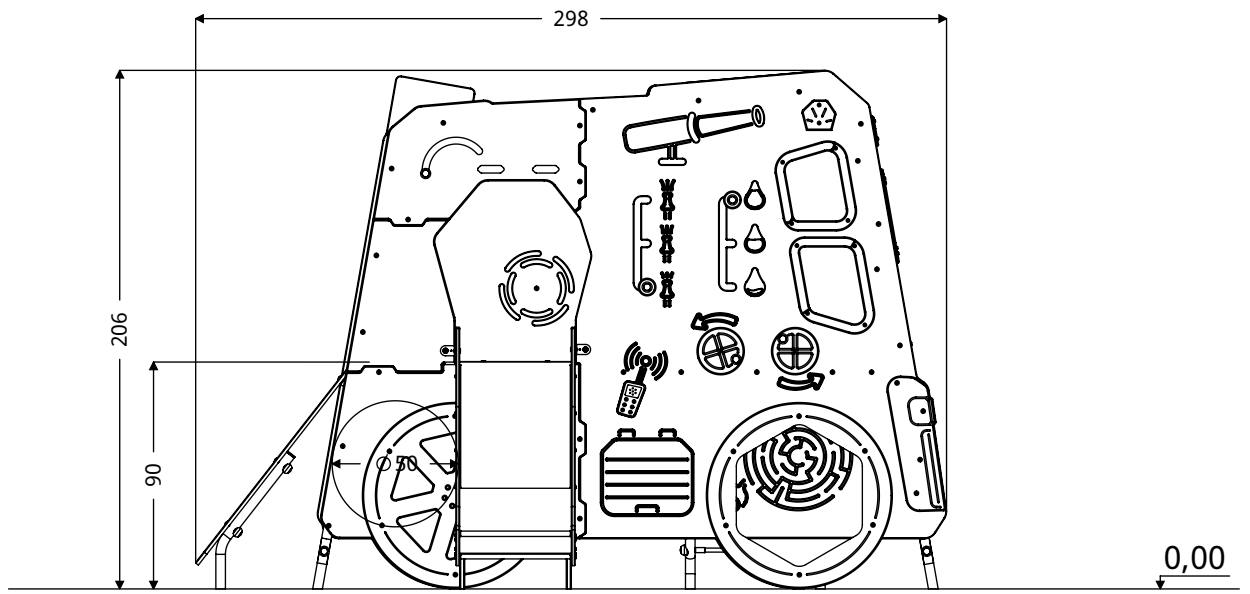


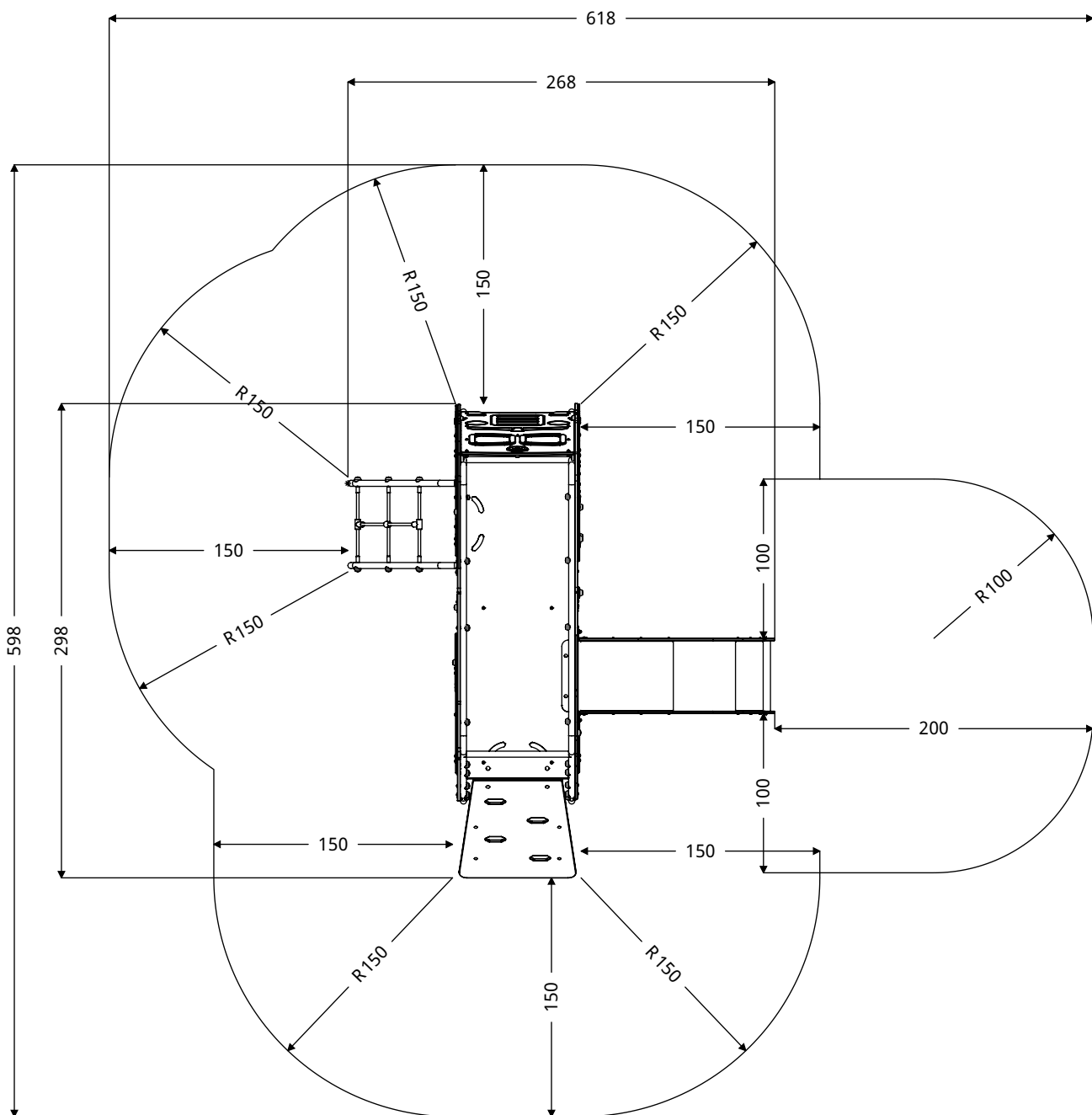
[cm]  
v011  
02.10.2019  
A.H.



**BENITO**  
-Play

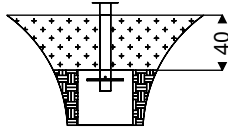




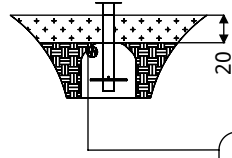


[cm]

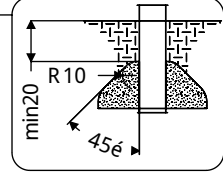
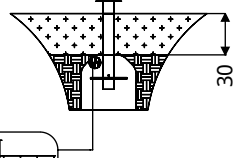
A.



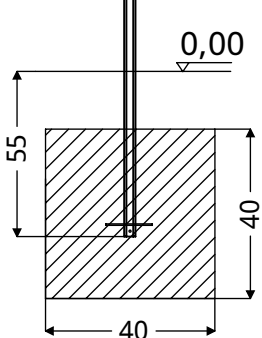
B.



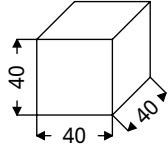
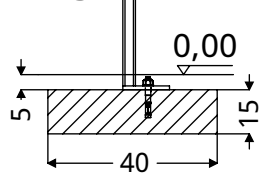
C.


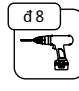




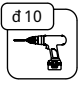

K1

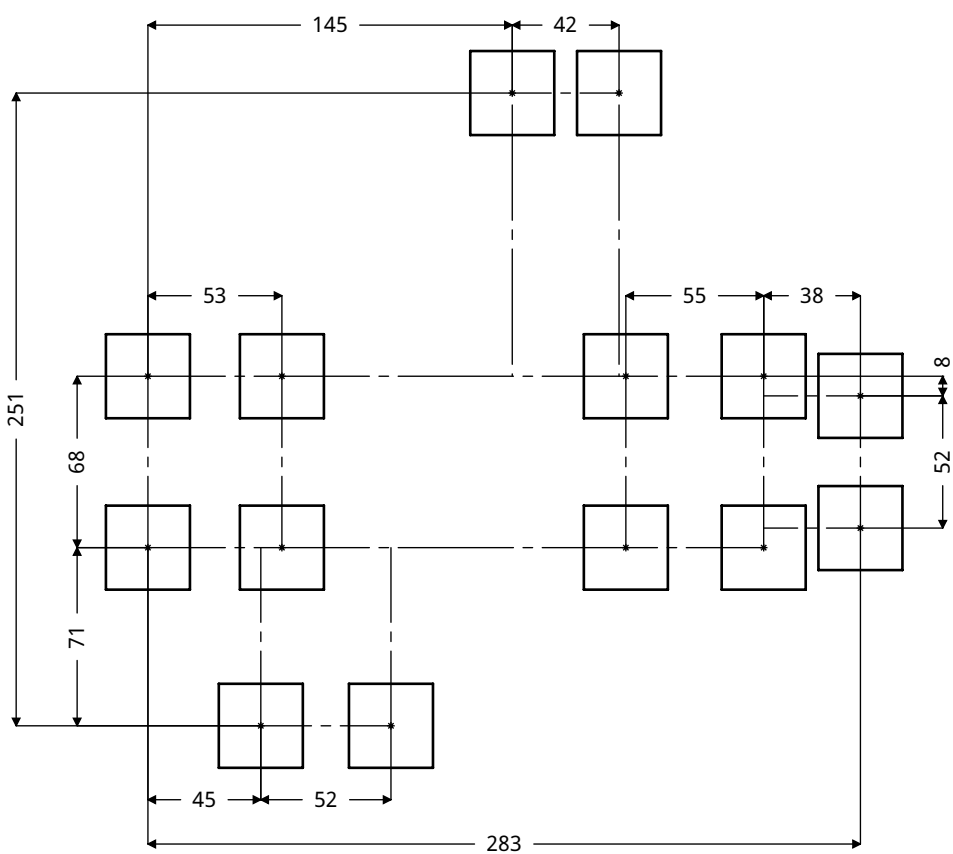


K3




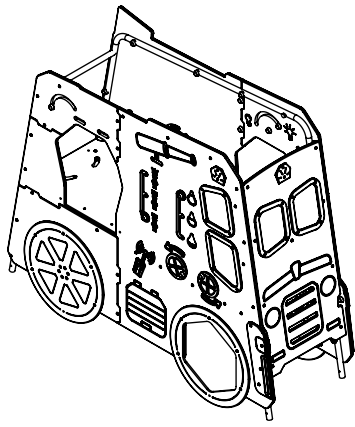
	K3
M8x120 x2	 d8
NOT INCLUDED	

	K3
M10x120 x20	 d10
NOT INCLUDED	



[cm]

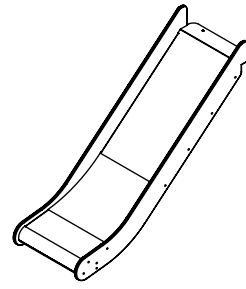
 x2	7h			K1 x14 >0,06mE	48h 	K3 x14 >0,02mE
--	----	---	---	----------------------	--	----------------------



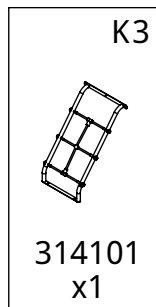
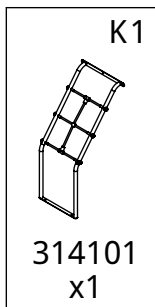
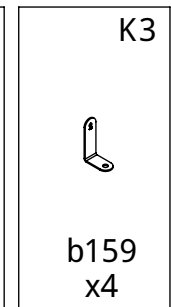
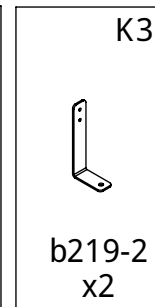
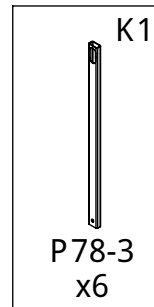
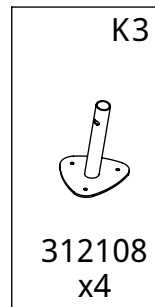
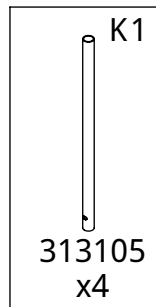
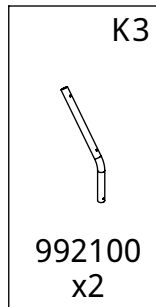
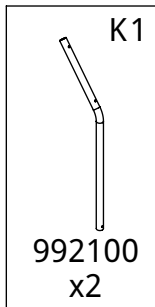
x1



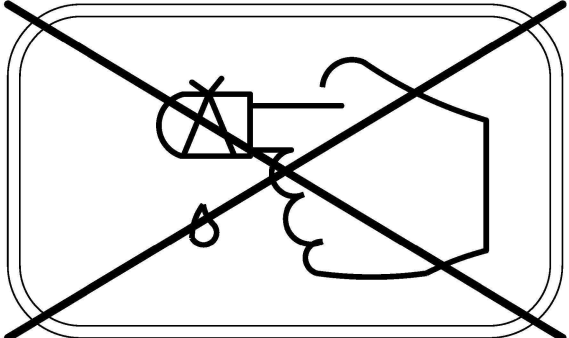
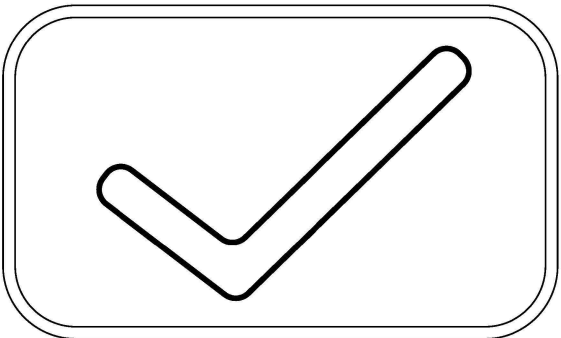
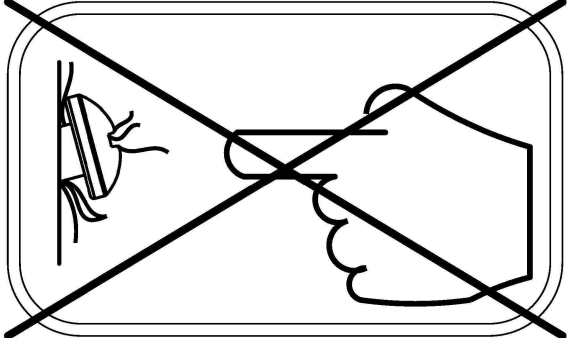
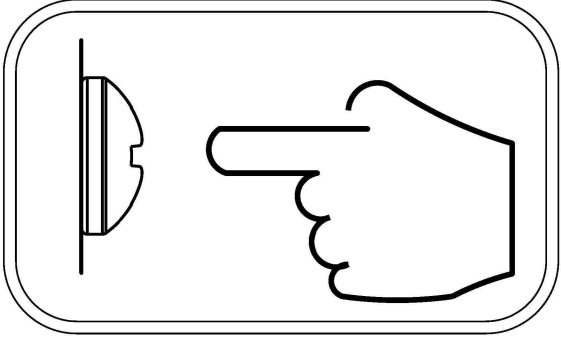
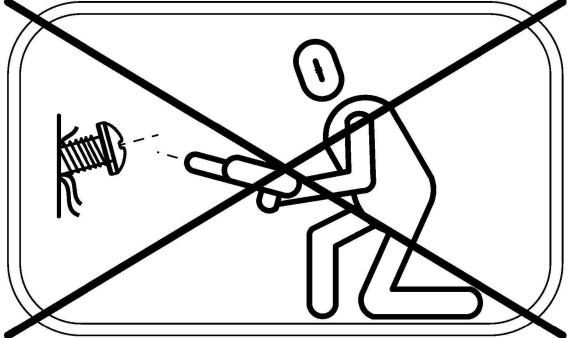
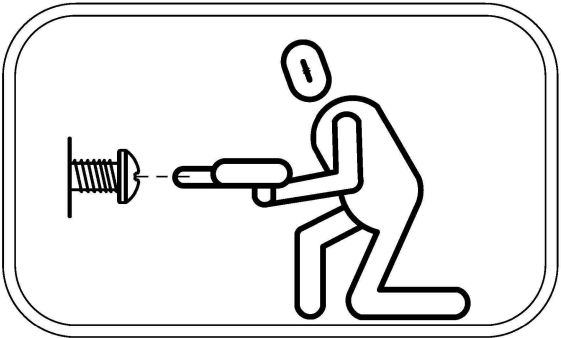
311123  
x1

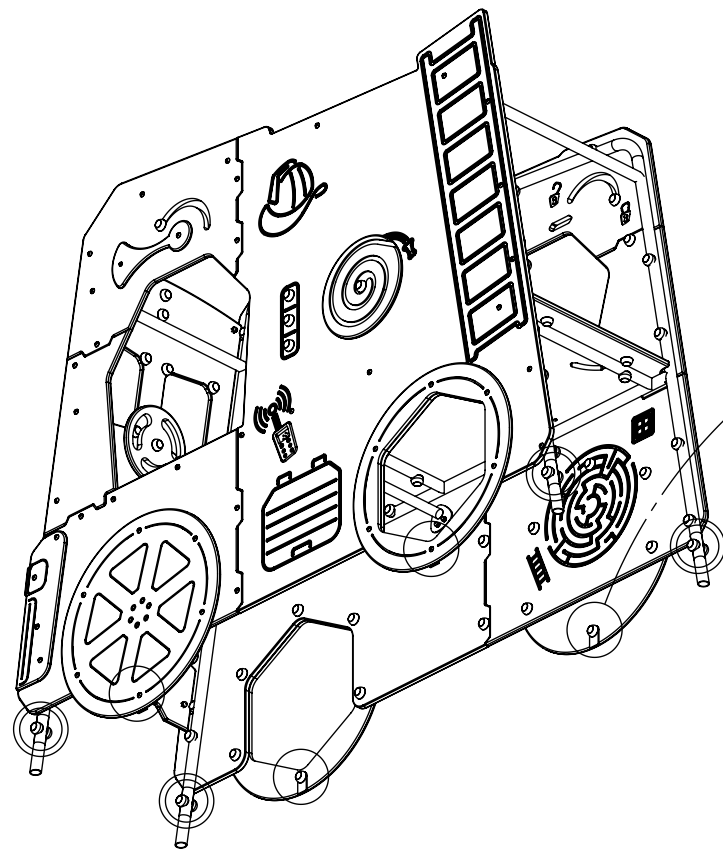


994103  
x1

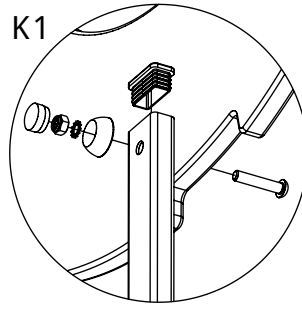


ST/INOX		HDPE / PLYWOOD		HPL	
1x	E34 (K1, K3)	1x	PS72 (S1)	1x	PH72 (S1)
1x	E88 (K3)	1x	PS73 (S6)	1x	PH73 (S6)
2x	E189 (K1, K3)	1x	PS75	1x	PH75
1x	V001	1x	PS76	1x	PH76
		1x	CE85		
		1x	CE89		
		2x	CE91 (K3)		
		2x	CE92 (K1)		



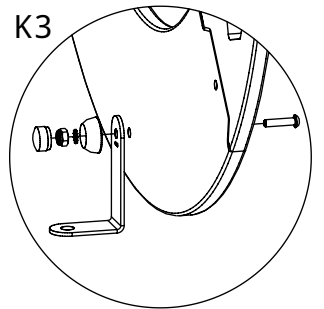


K1

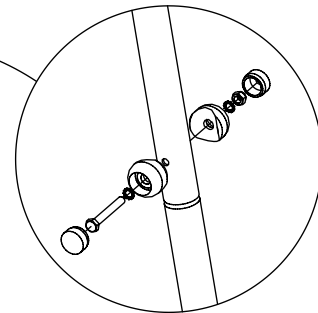


HDPE  
2x CE92

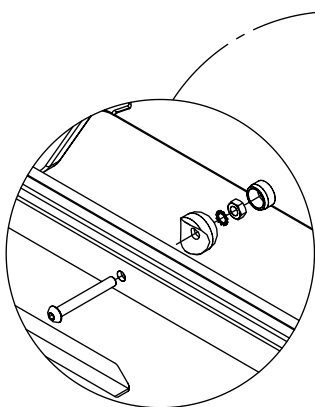
K3



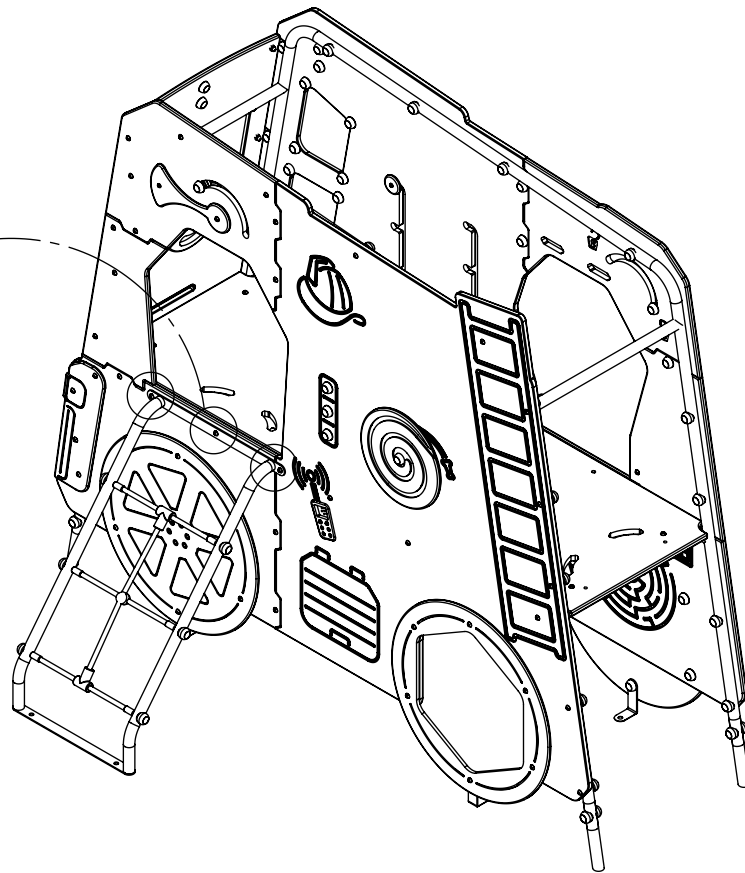
HDPE  
2x CE91



2x E189



HDPE  
1x CE85



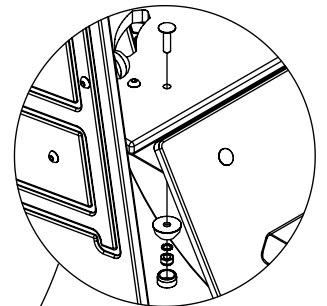
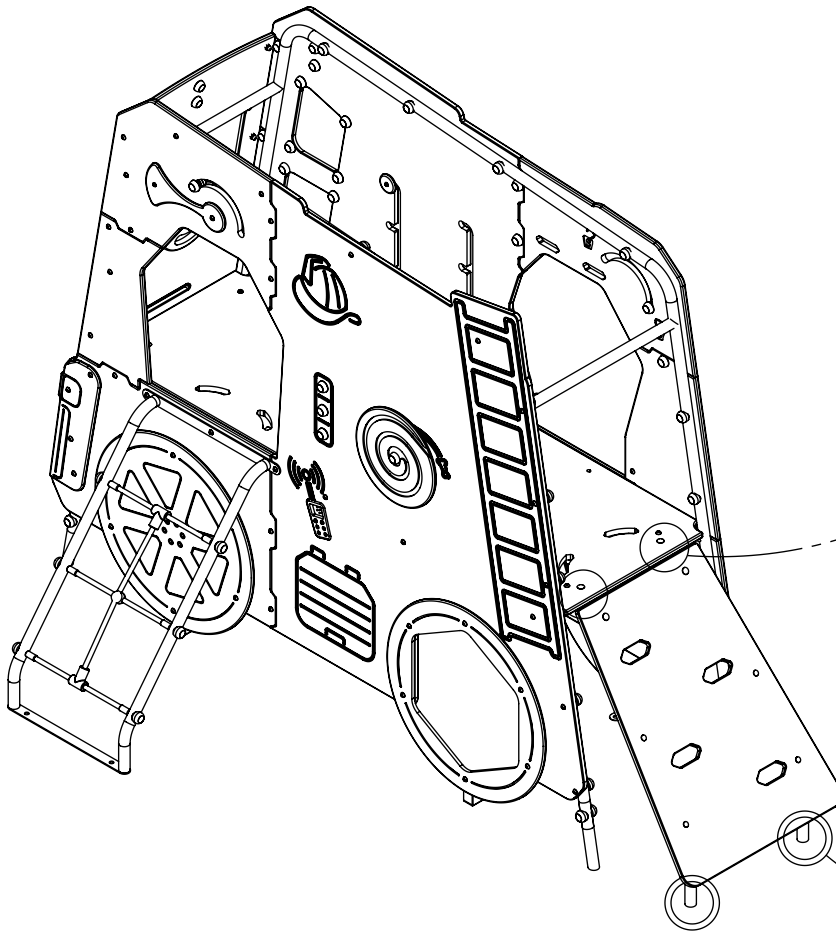
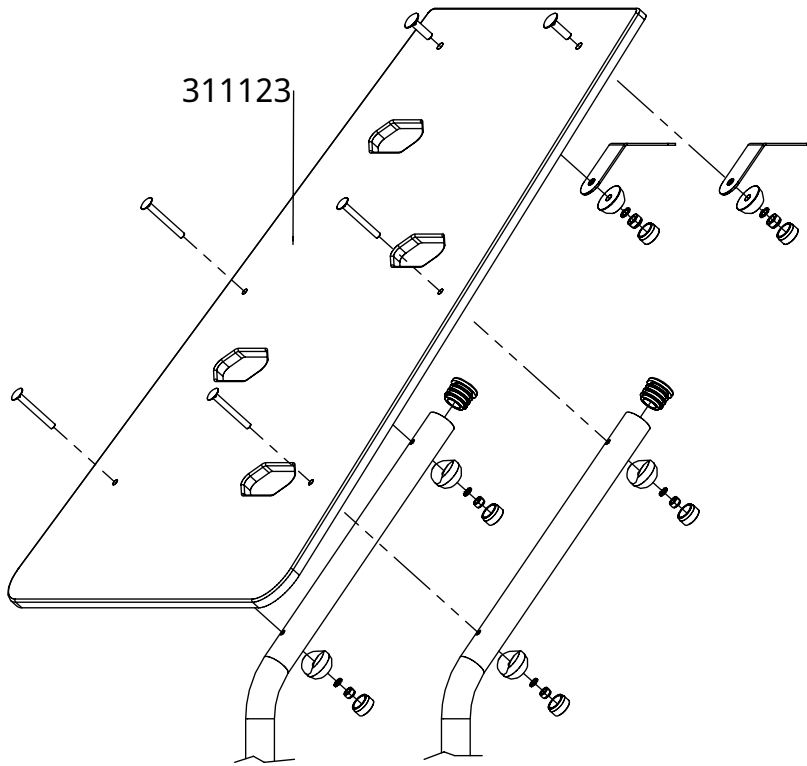
[cm]





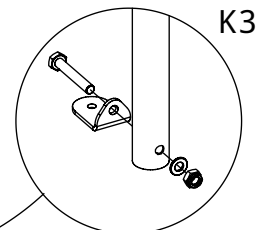
PLYWOOD  
1x PS75

HPL  
1x PH75



PLYWOOD  
1x PS76

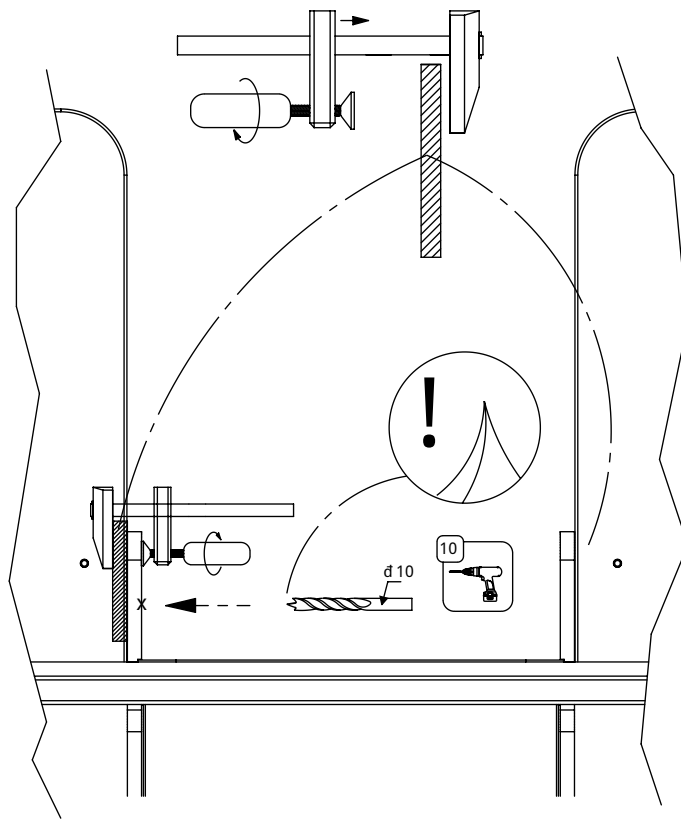
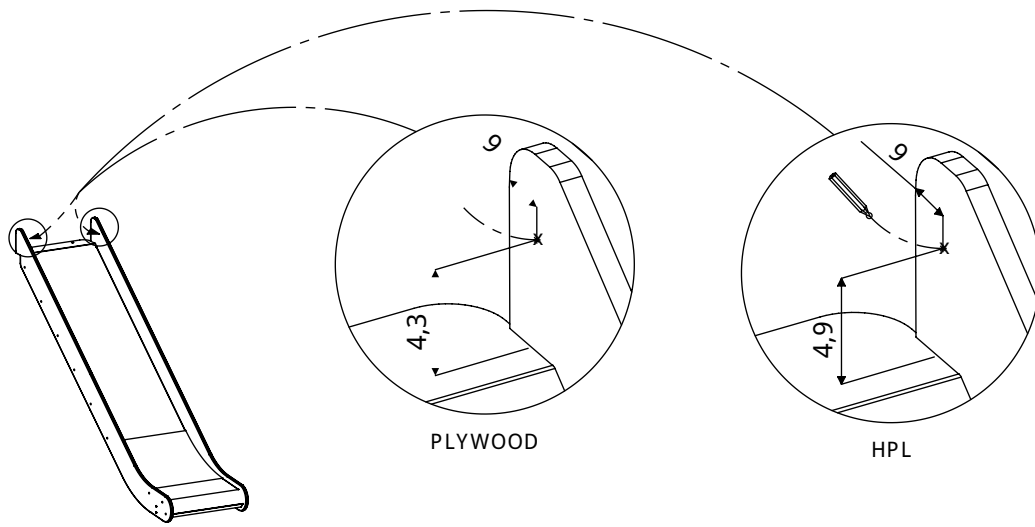
HPL  
1x PH76



1x E88

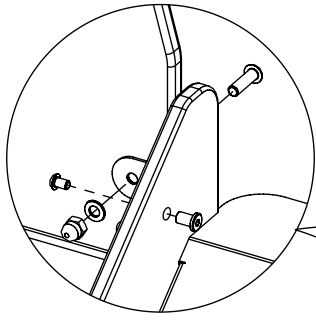
[cm]



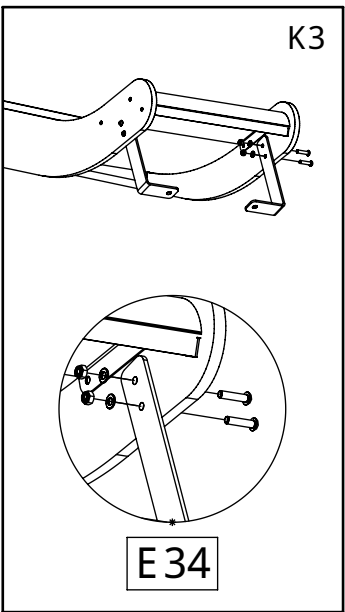
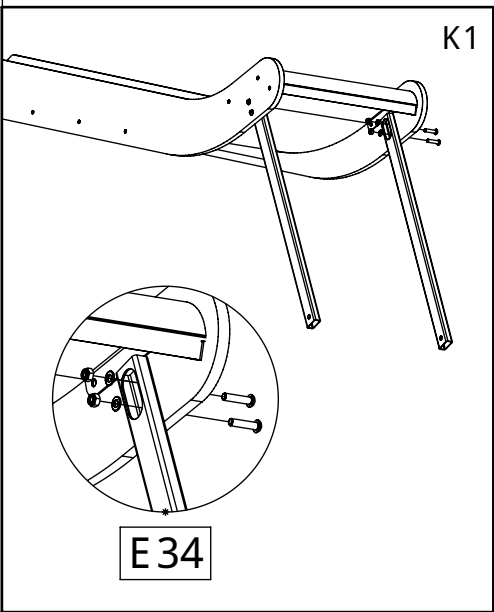
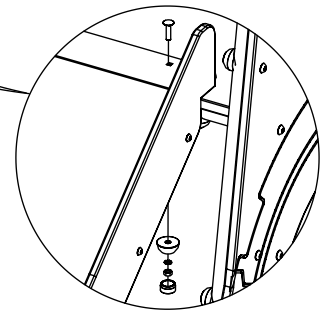
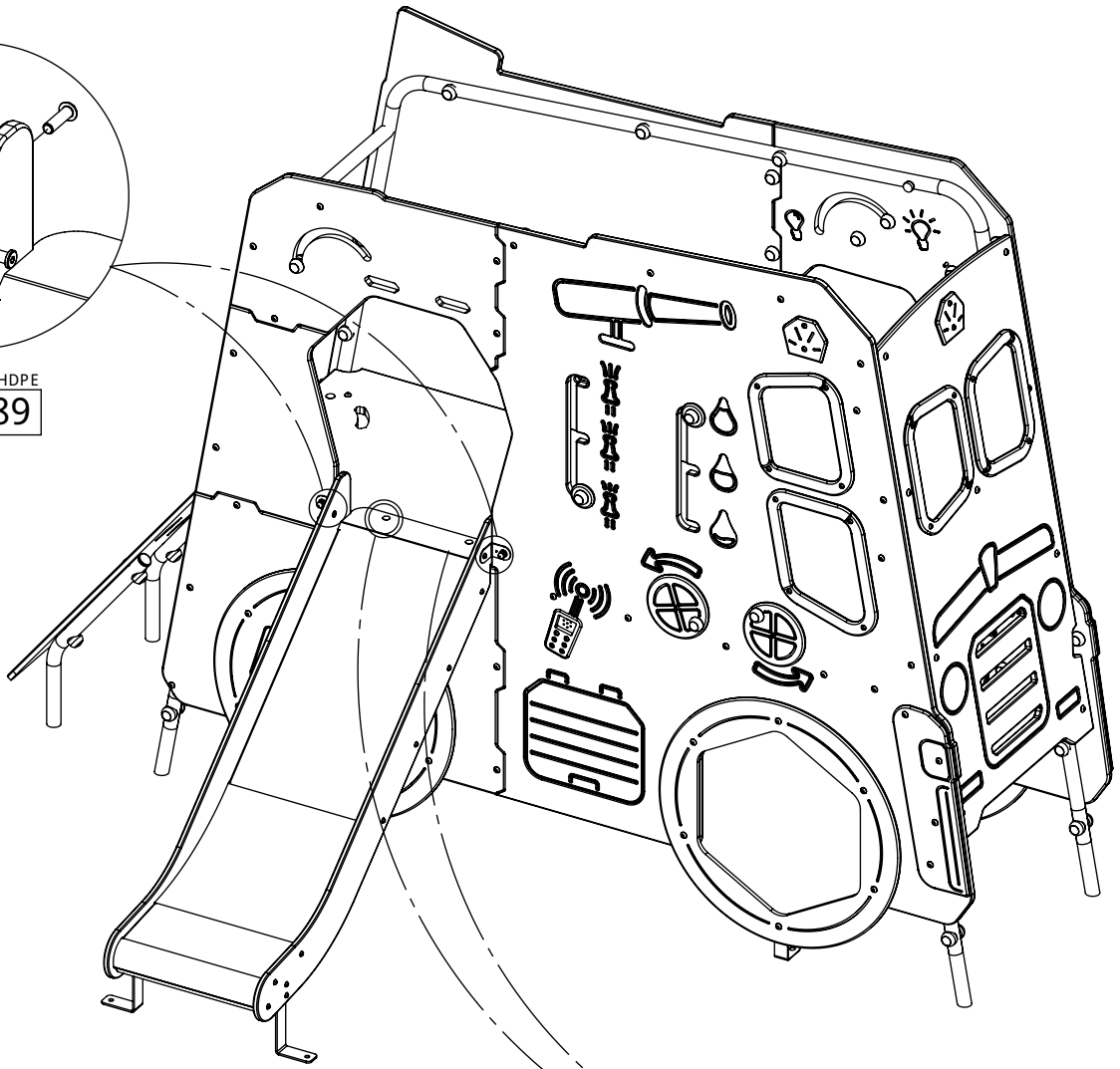


[cm]

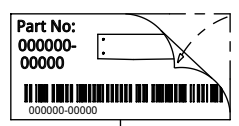




1x CE89 <sup>HDPE</sup>



	PLYWOOD		PLYWOOD
1x	<b>PS72</b> <small>S1</small>	1x	<b>PS73</b> <small>S6</small>
	HPL		HPL
1x	<b>PH72</b> <small>S1</small>	1x	<b>PH73</b> <small>S6</small>



[cm]

