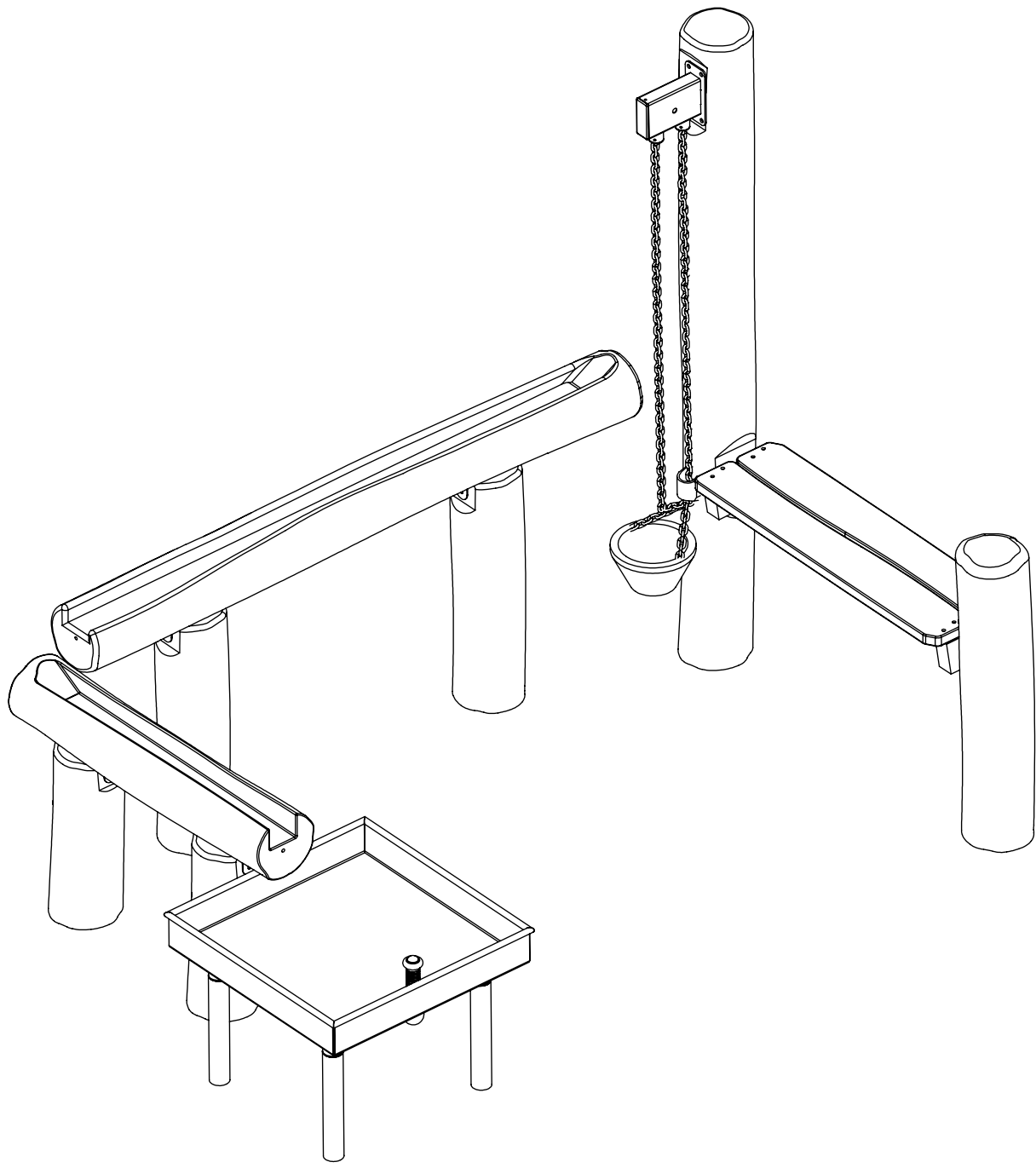
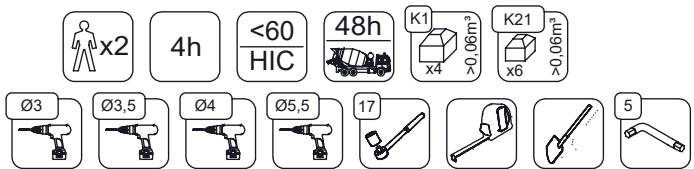


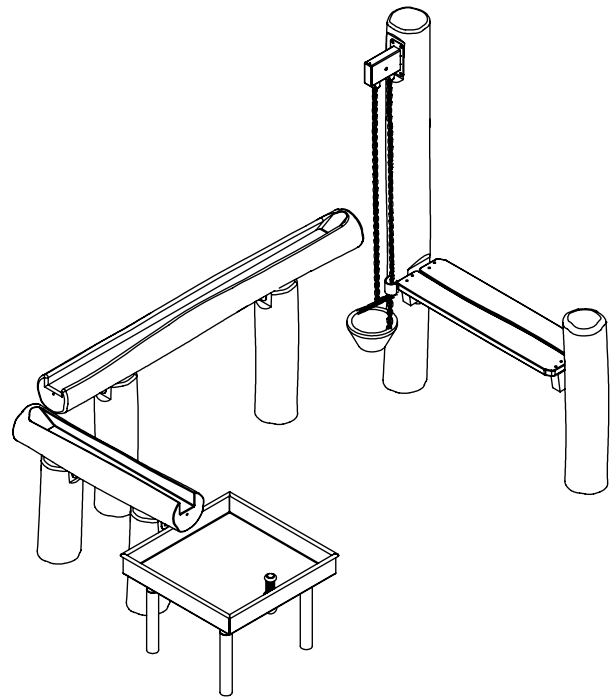
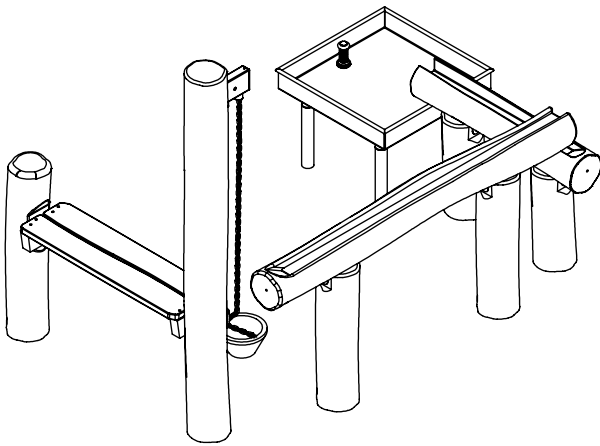
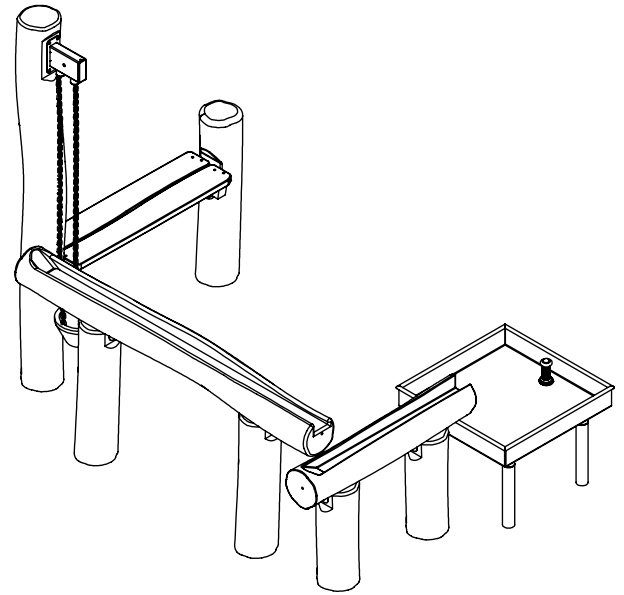
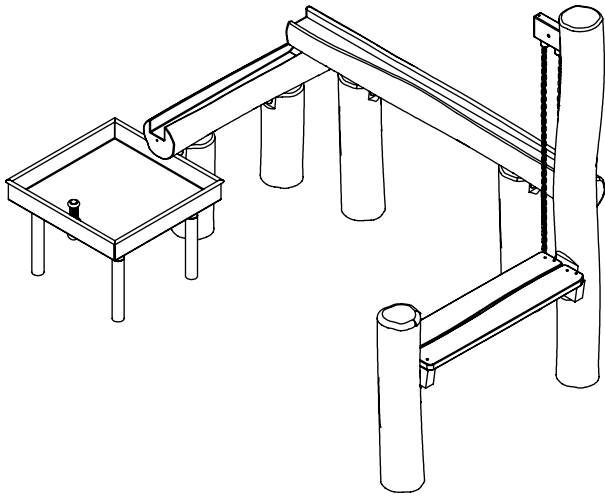
JROY28

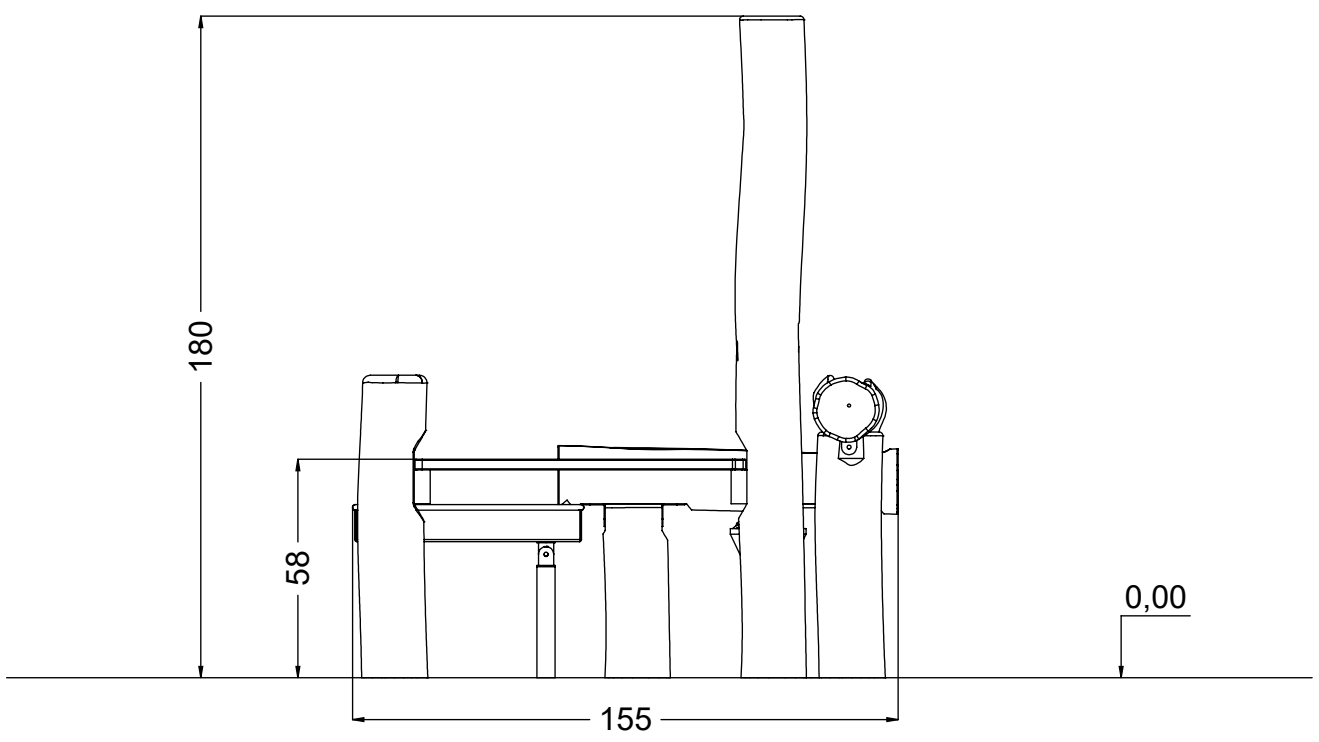
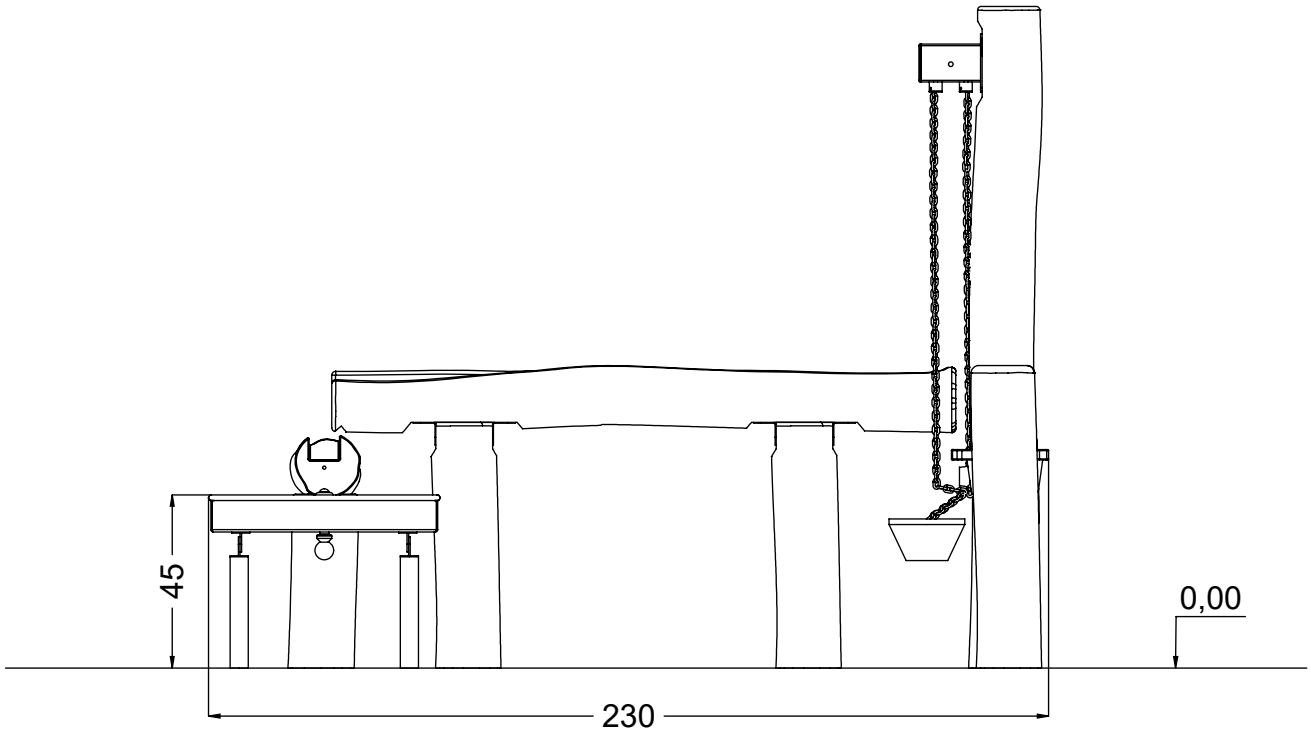


v010
21.03.2022
W. G.
[cm]



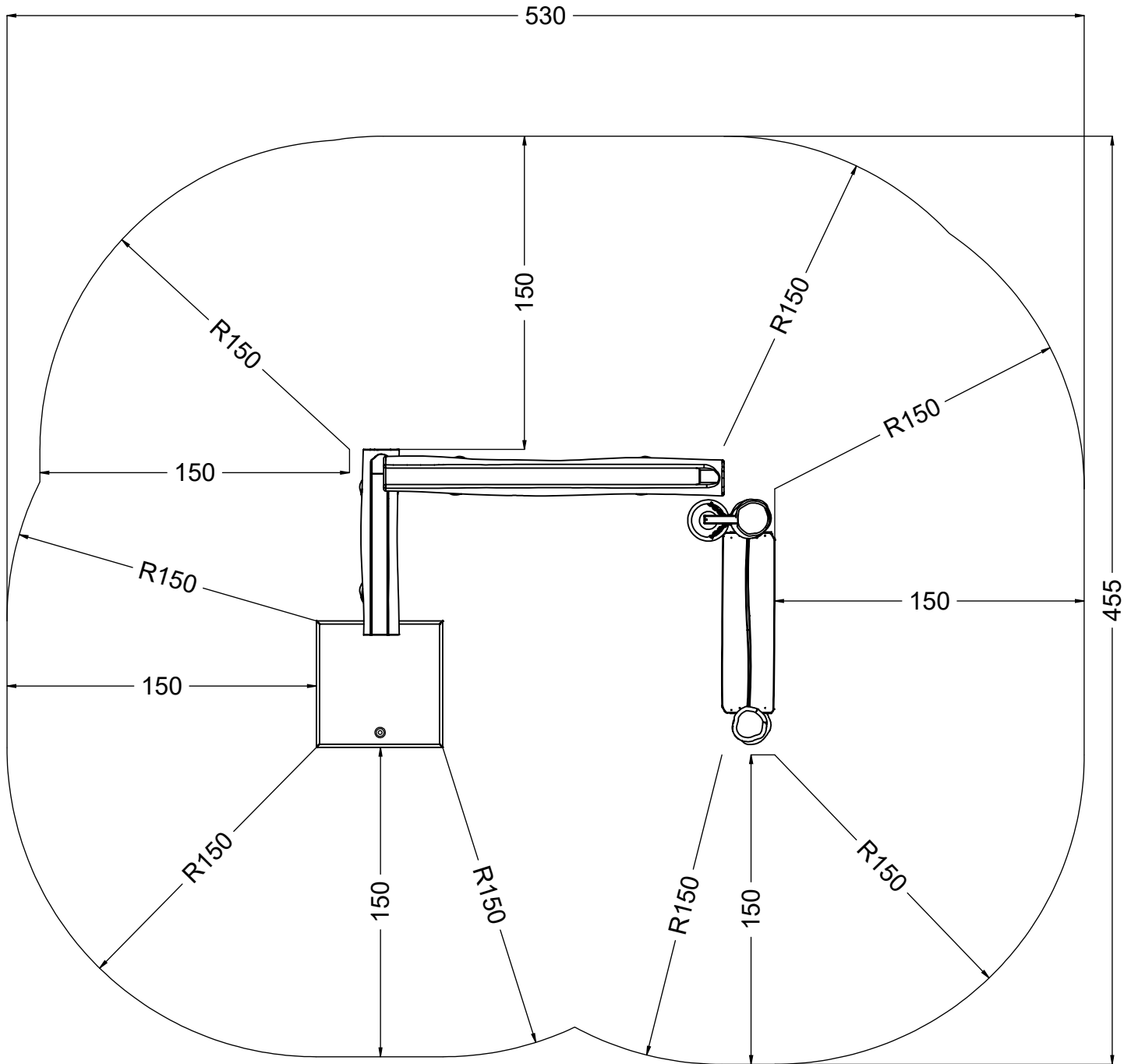
BENITO
-Play





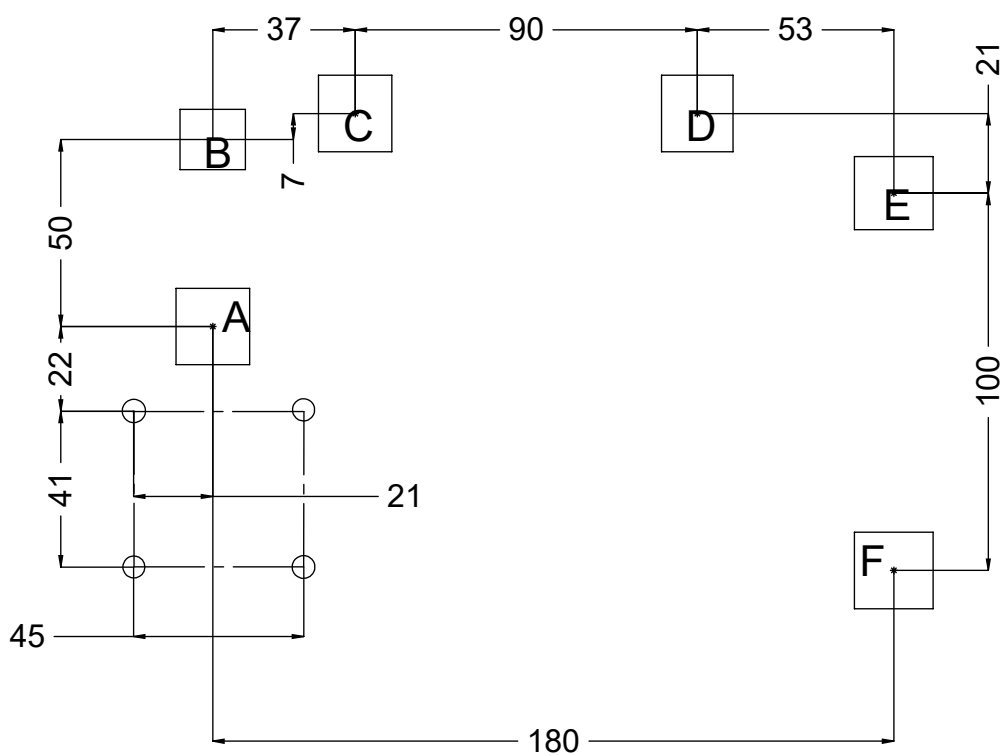
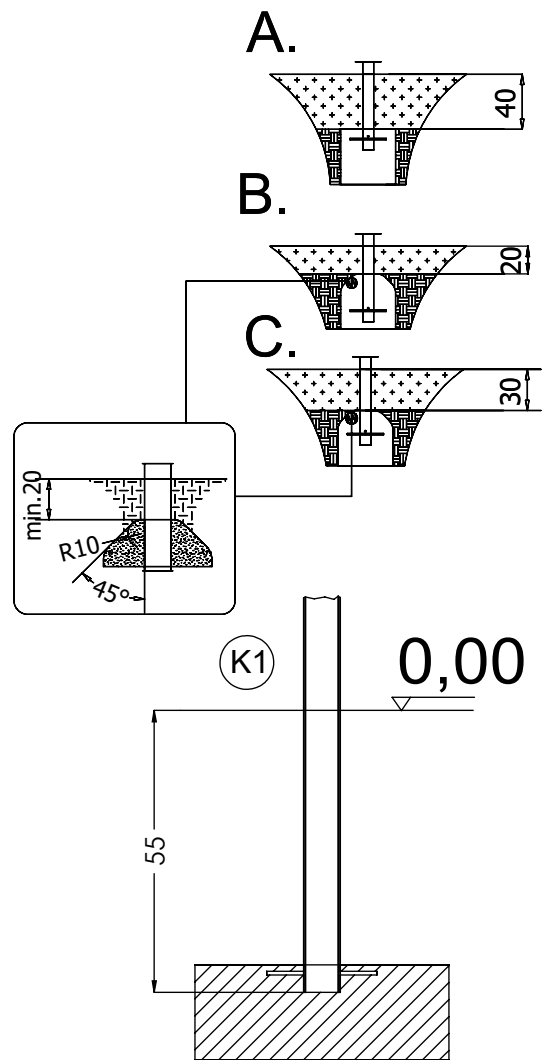
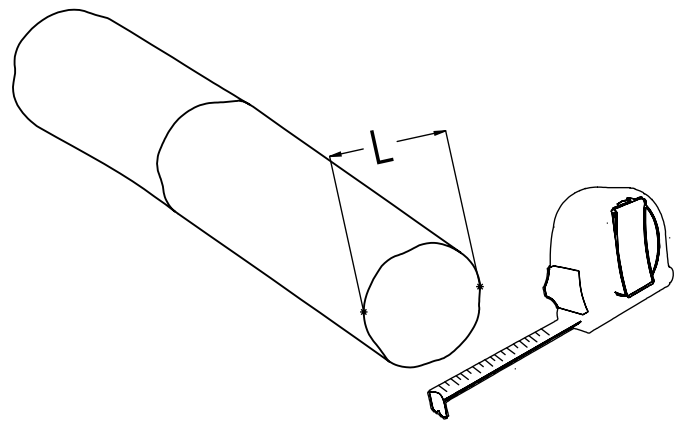
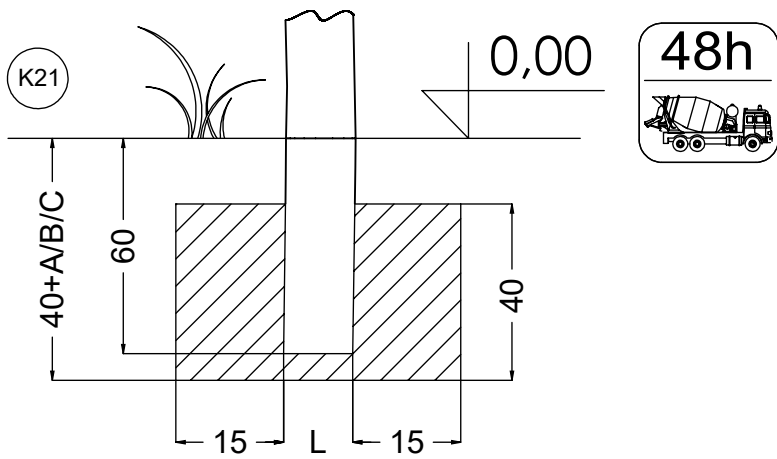
[cm]





[cm]





- 127175 - A
- 127175 - B
- 127174 - C
- 127174 - D
- 127176 - E
- 127177 - F

[cm]

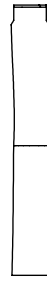




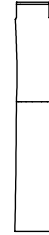
127176 (E)
x1



127177 (F)
x1



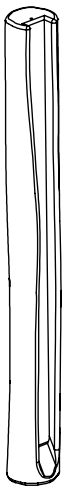
127174 (C,D)
x2



127175 (A,B)
x2



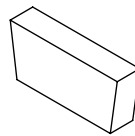
127173
x1



127172
x1



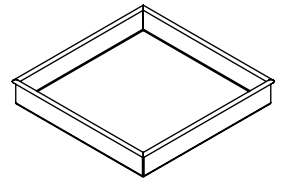
128153
x2



128154
x2



994121
x1



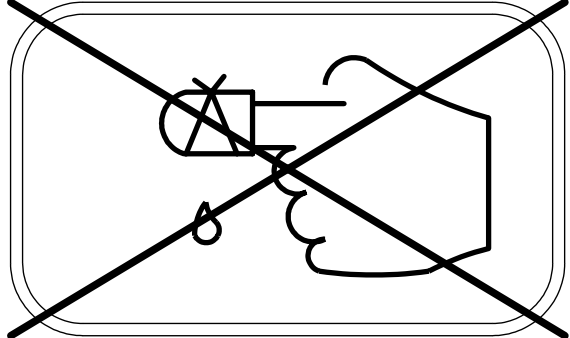
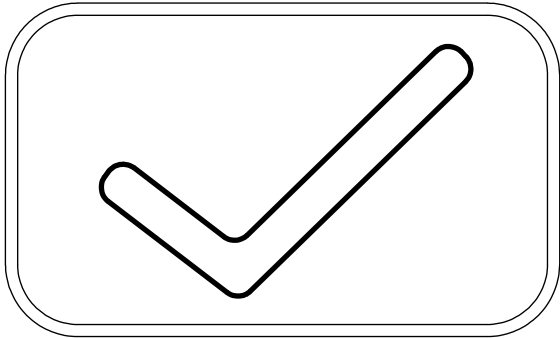
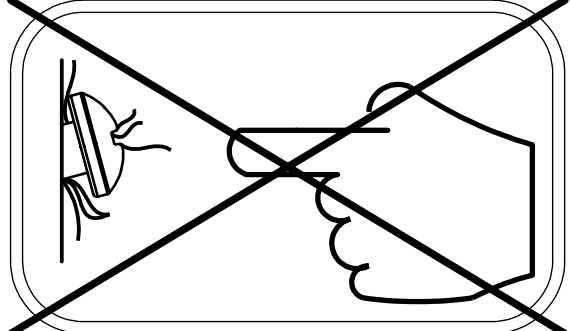
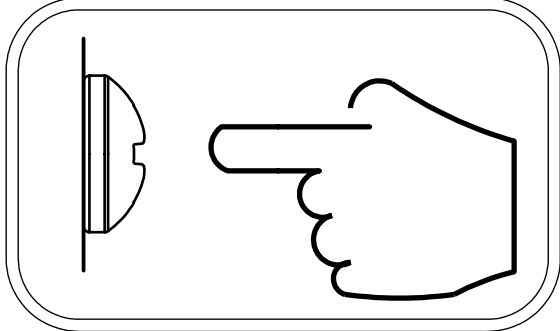
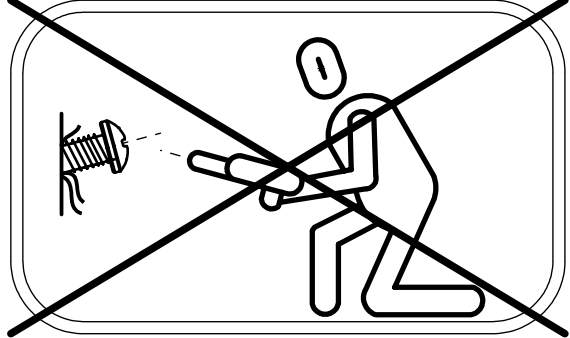
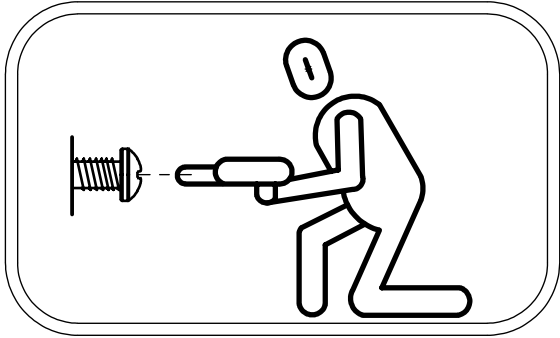
282100
x1

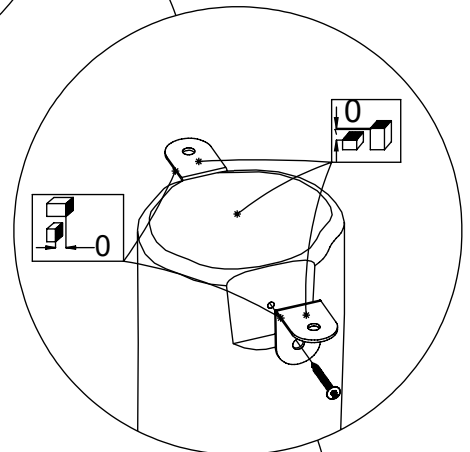
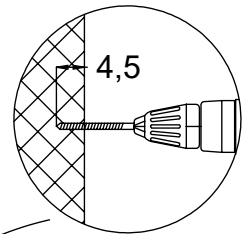
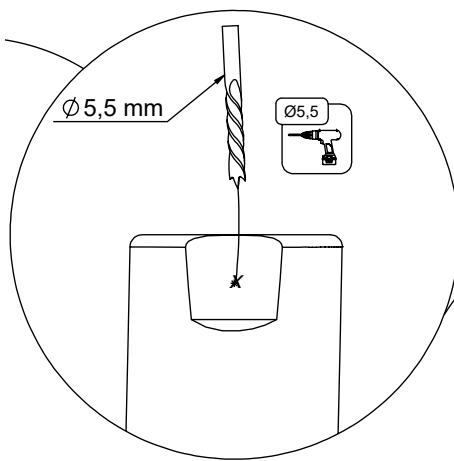
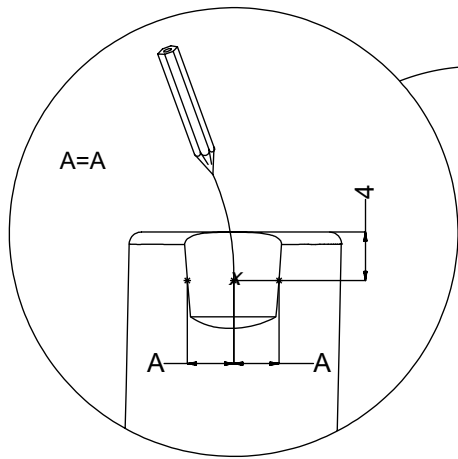


282101
x4

8x	5x80sxs
2x	6x50sxs
20x	8x50 sxi
4x	8x80sxt

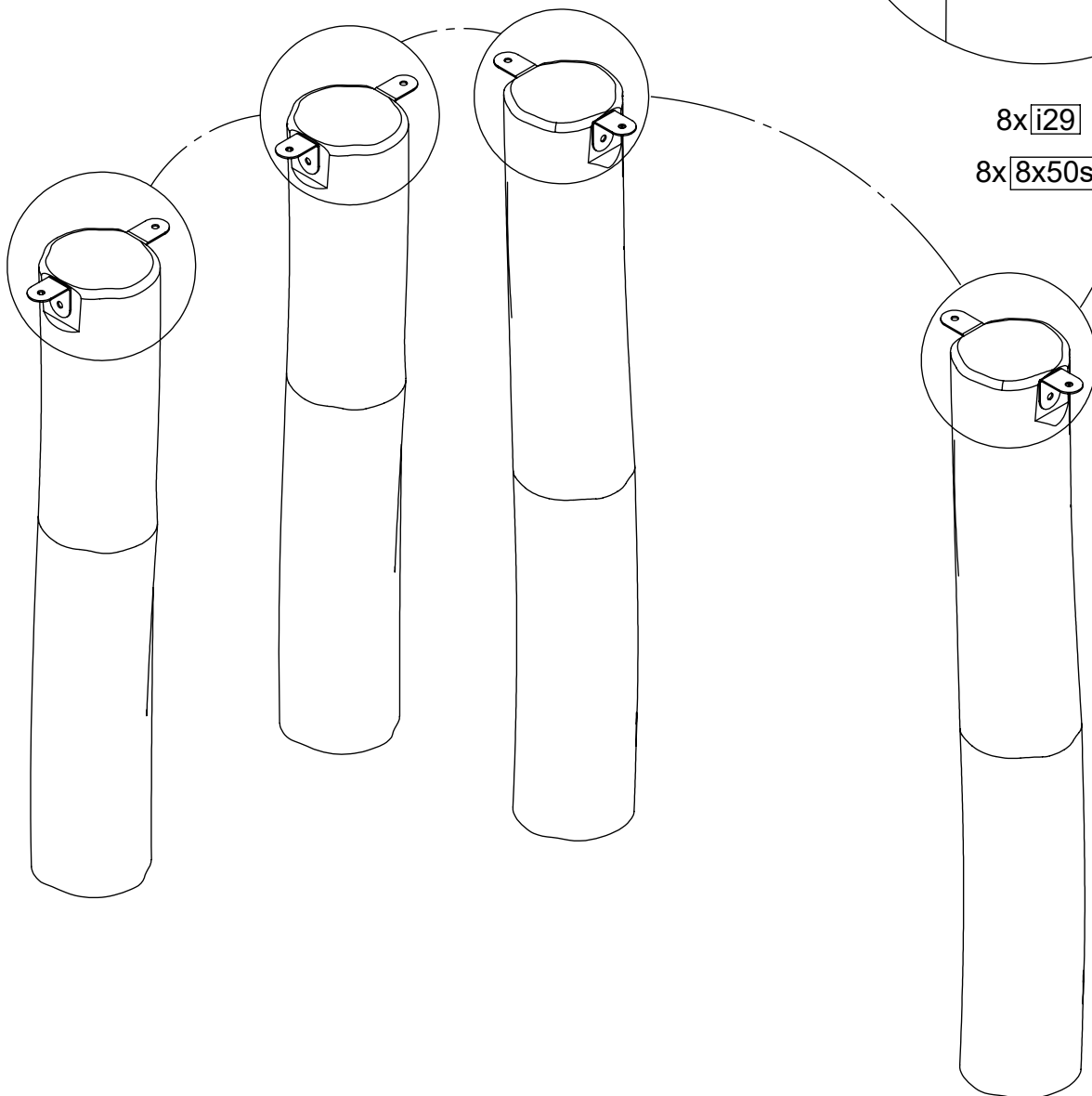
8x	i29
1x	12e016
1x	12e099

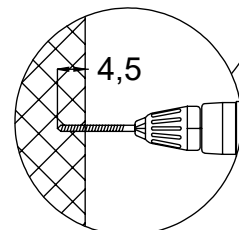
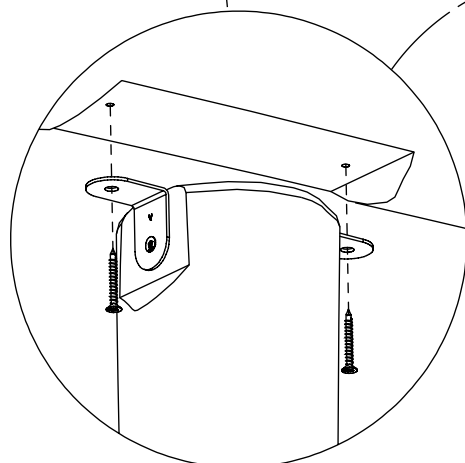
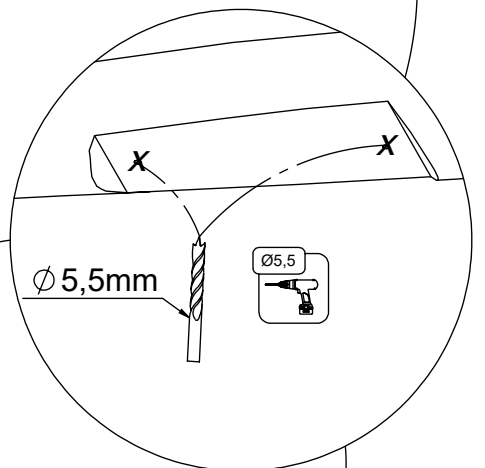
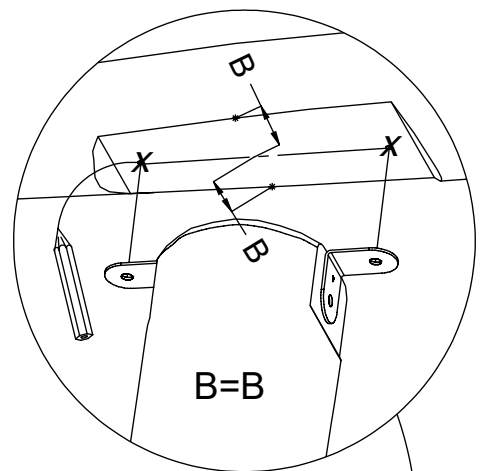
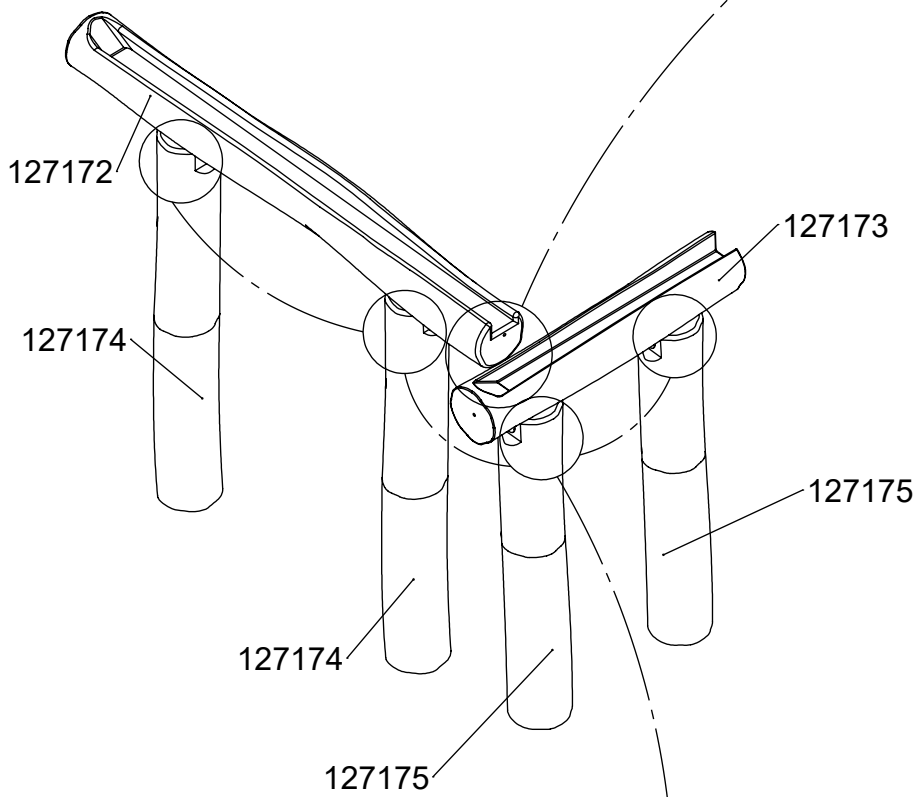
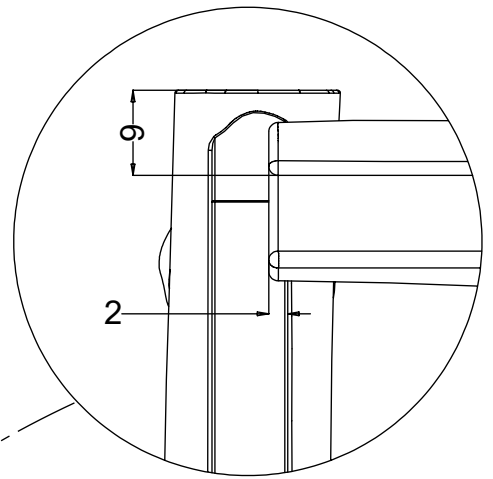
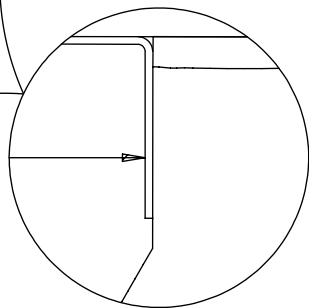
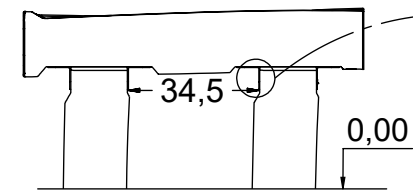
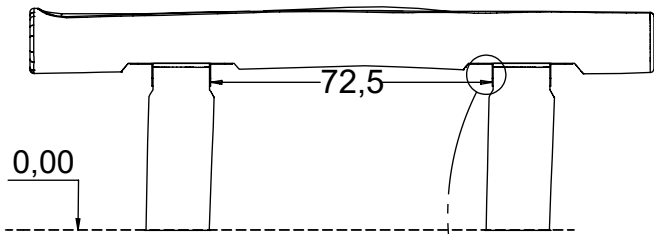




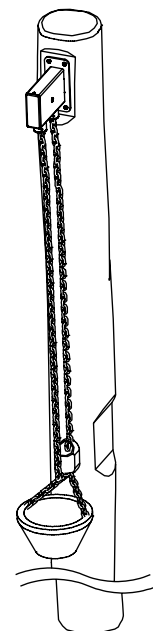
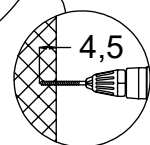
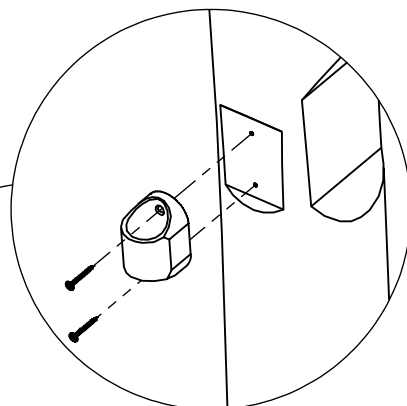
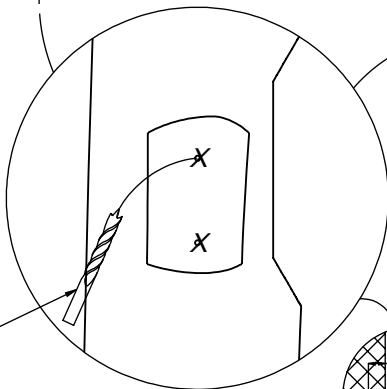
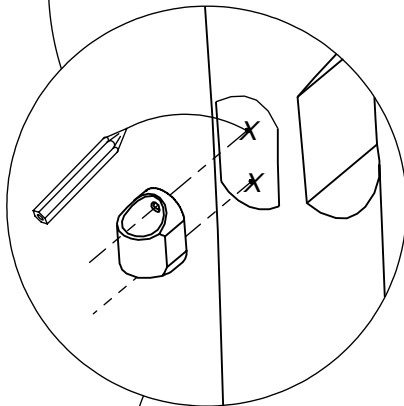
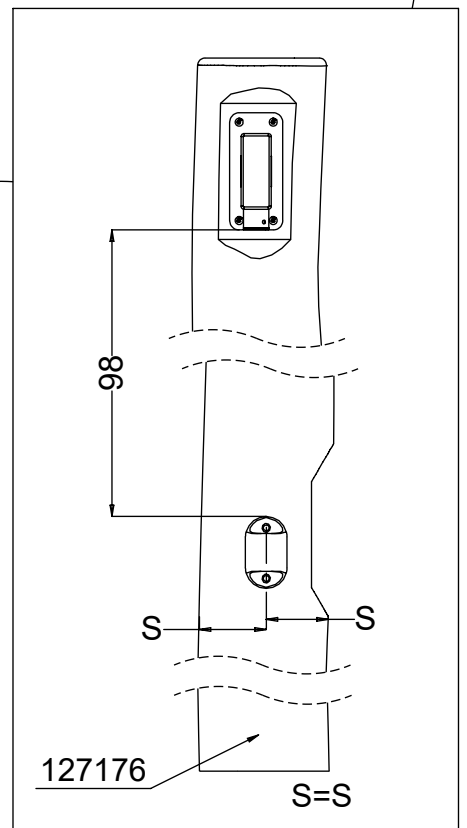
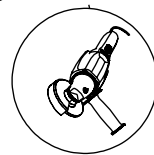
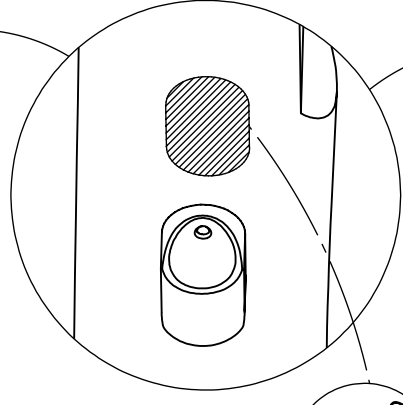
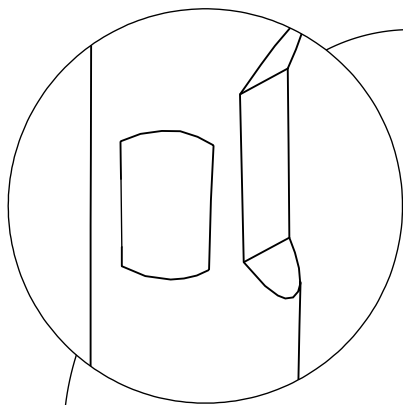
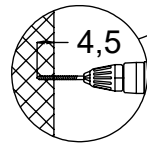
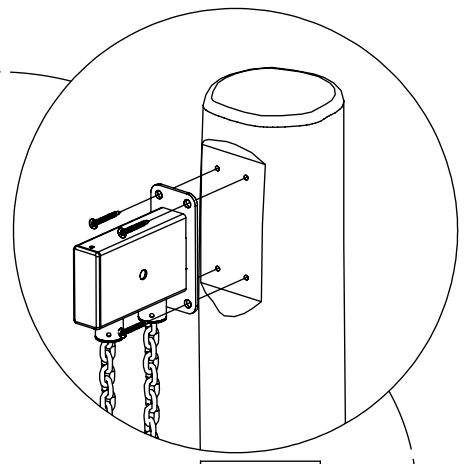
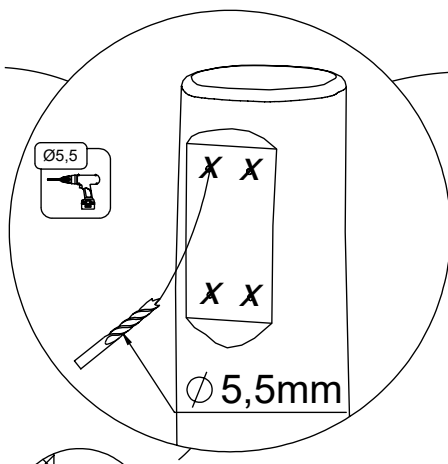
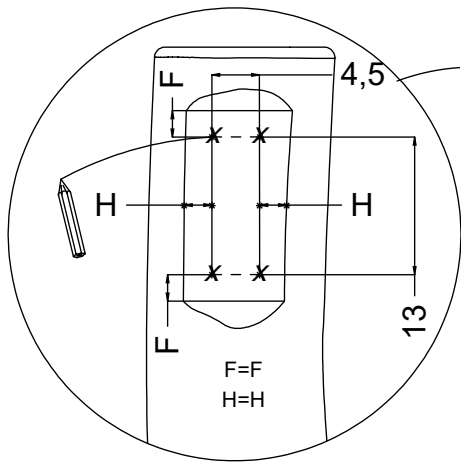
8x*i29*

8x*8x50sxi*

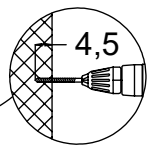
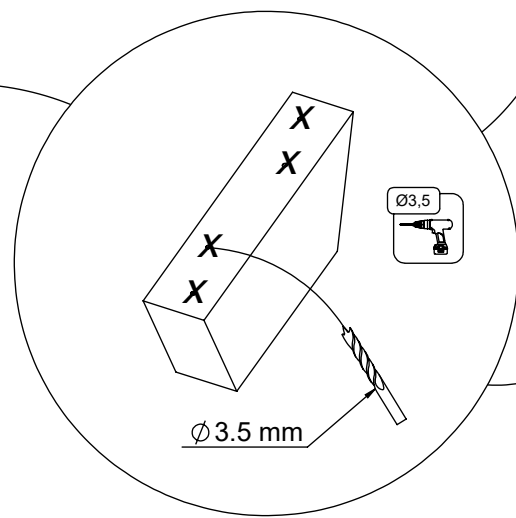
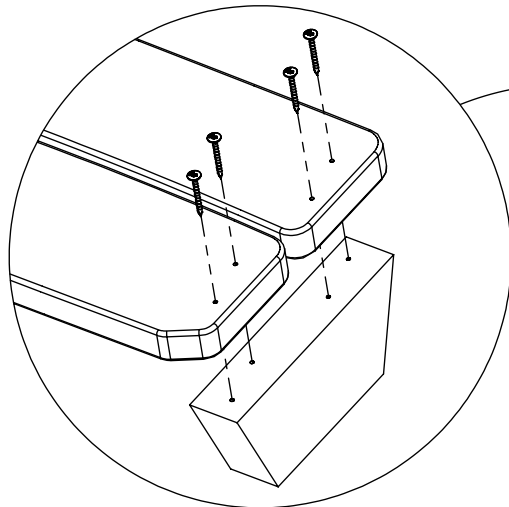
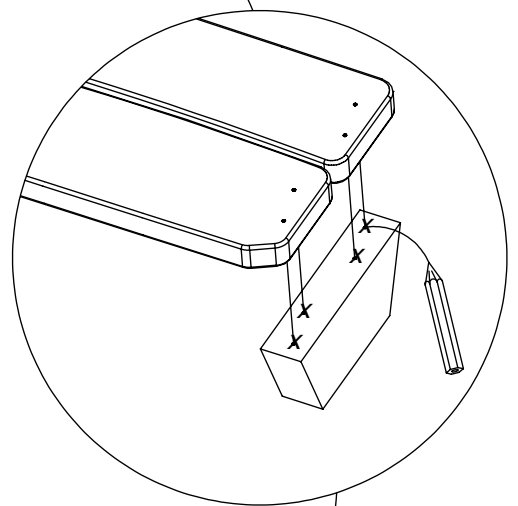
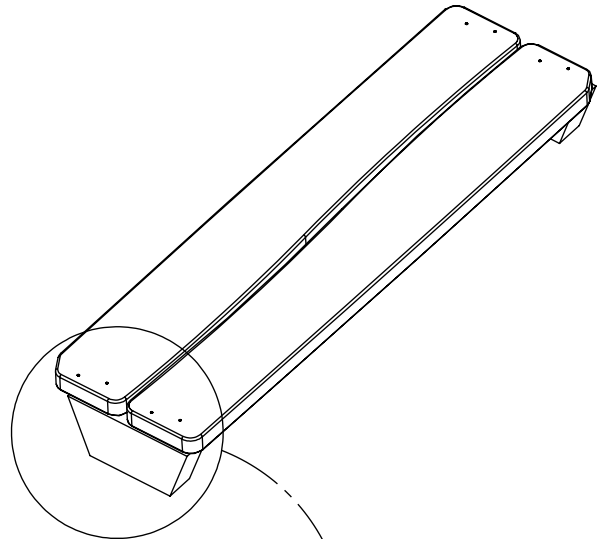
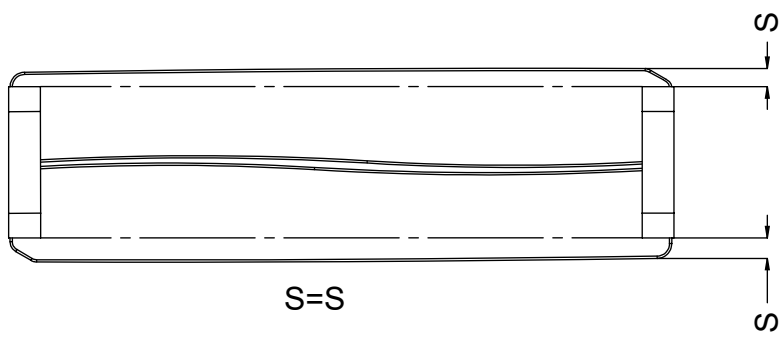
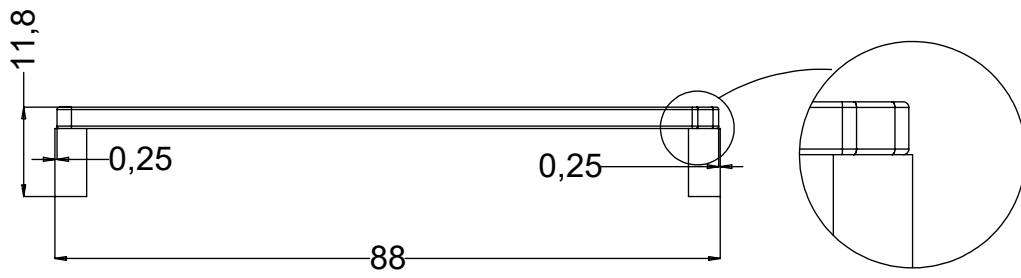


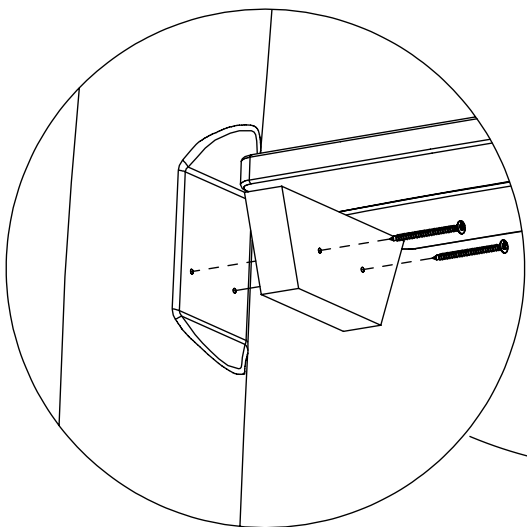
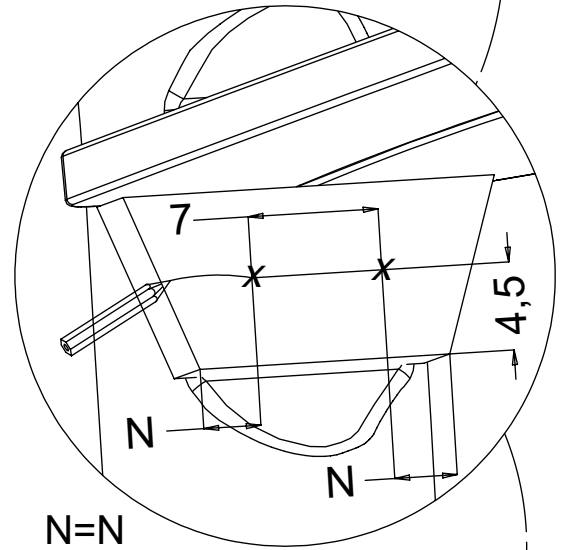
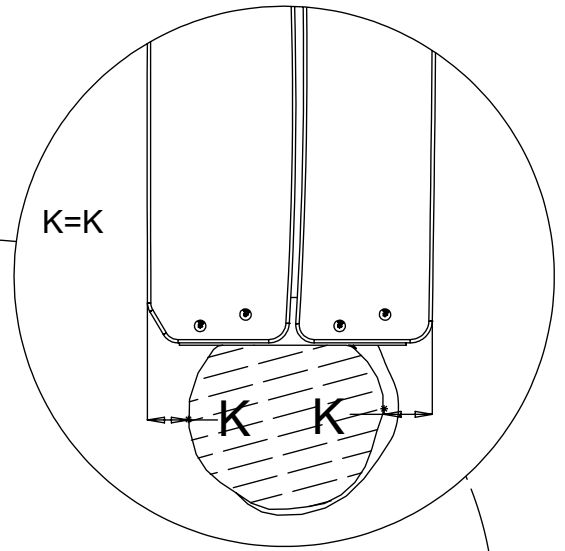
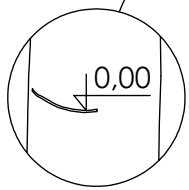
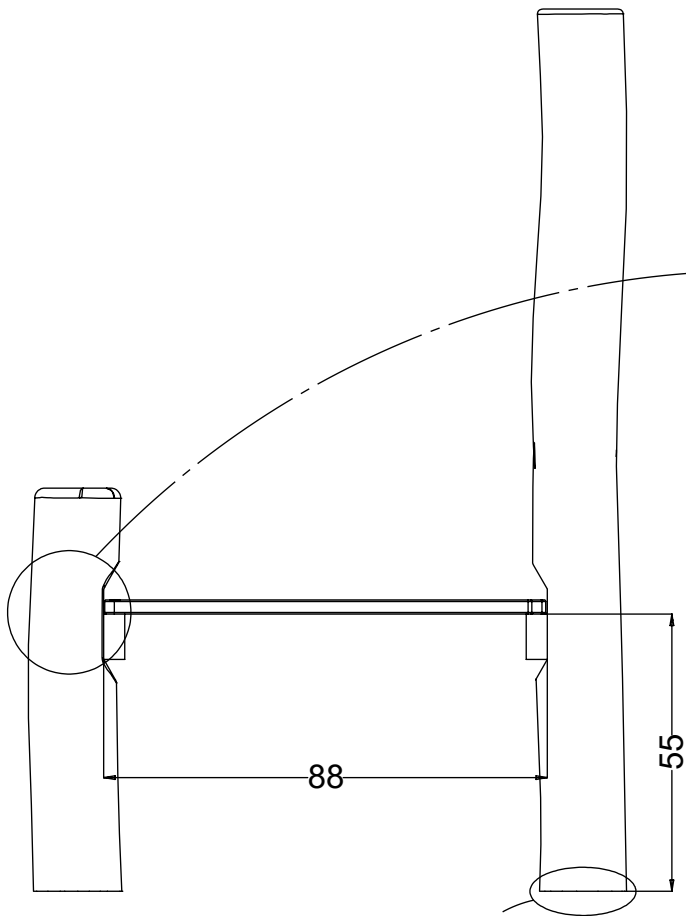


i29
8x 8x50sxi

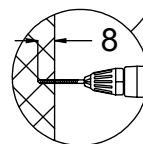
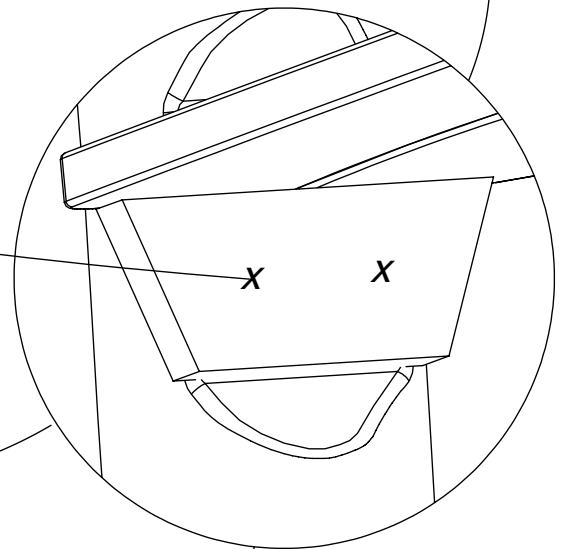


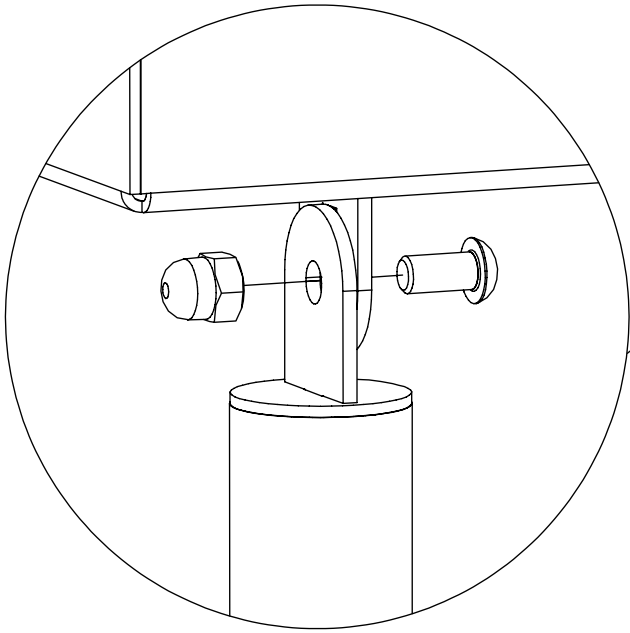
[cm]



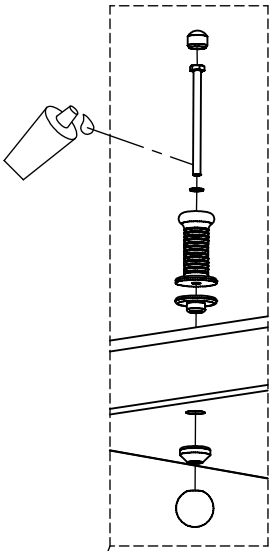
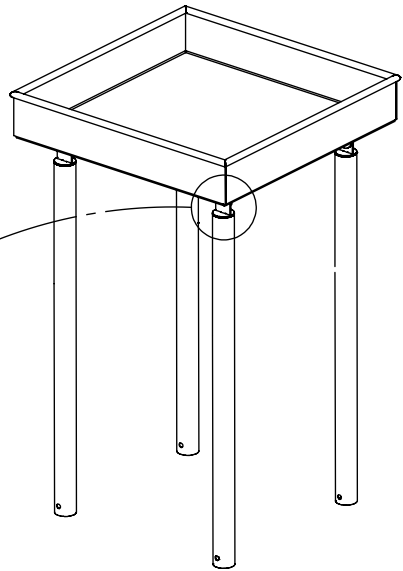


Ø 5,5mm





1x 12e016



1x 12e099

