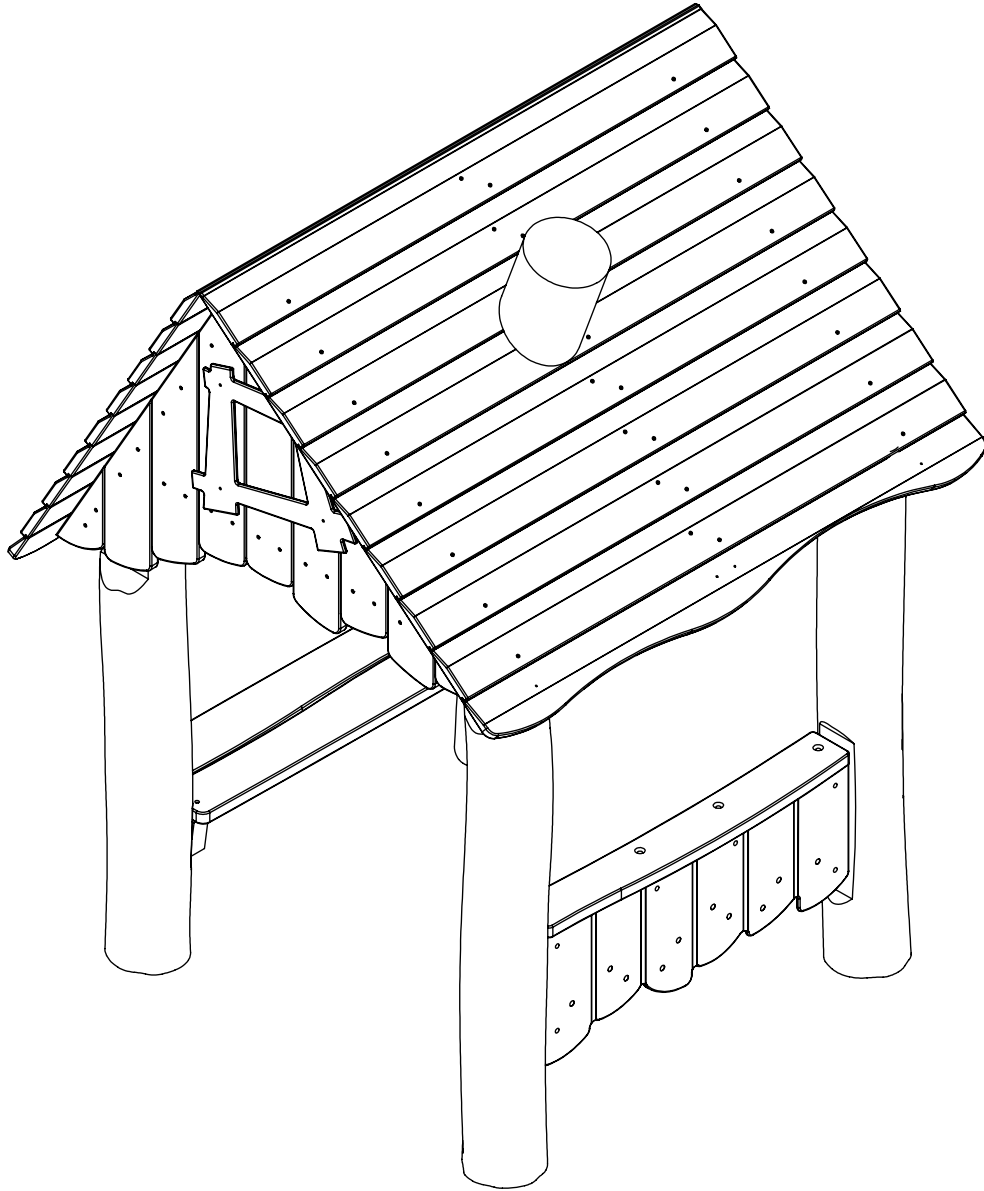
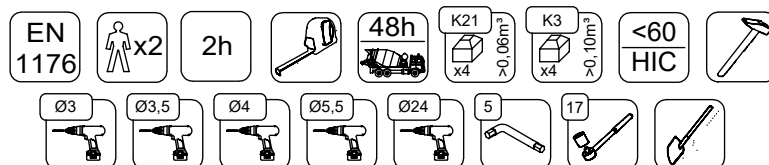


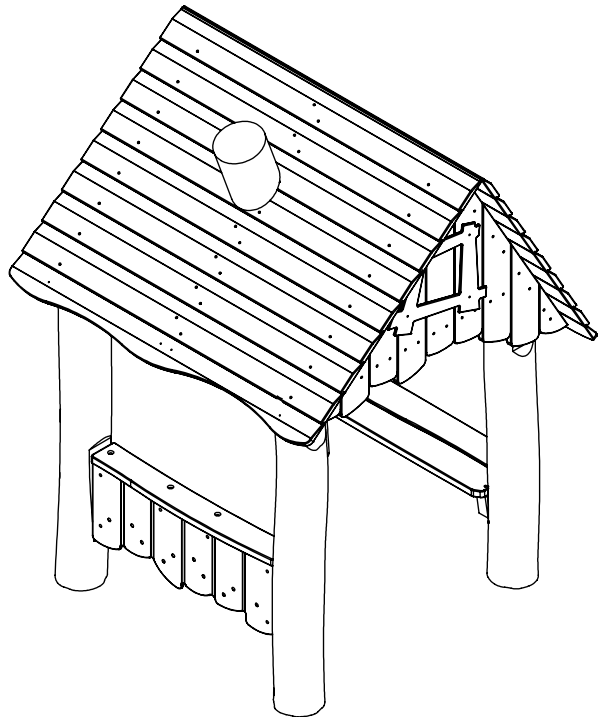
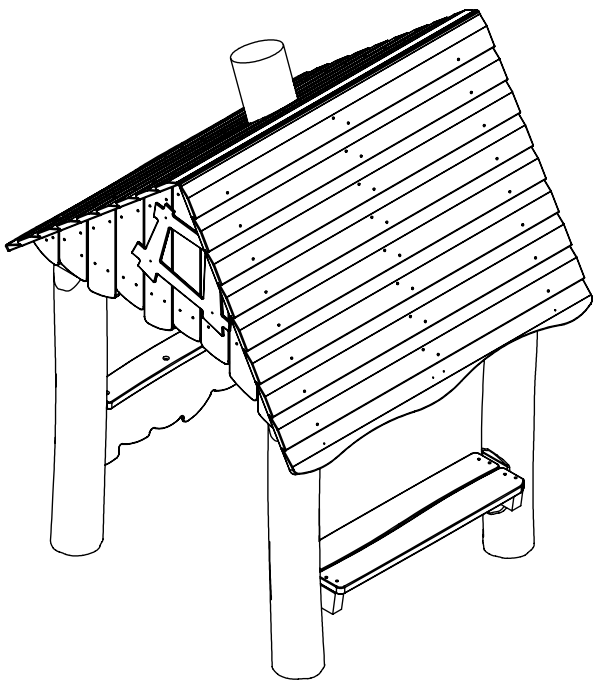
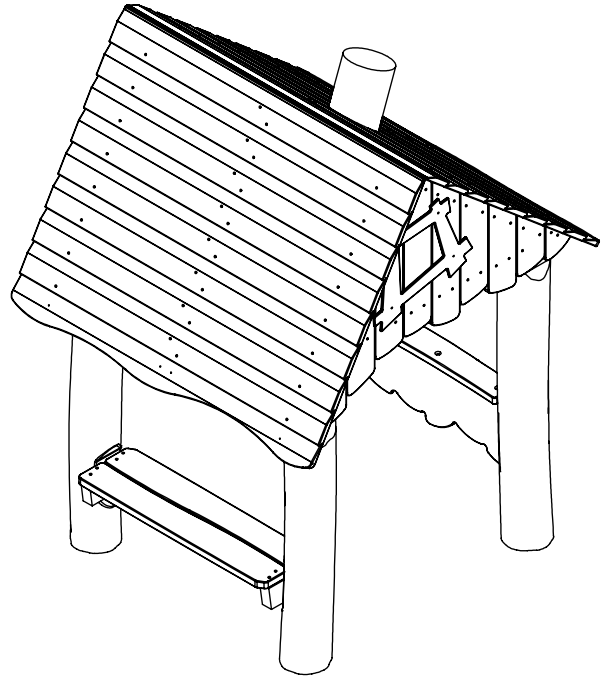
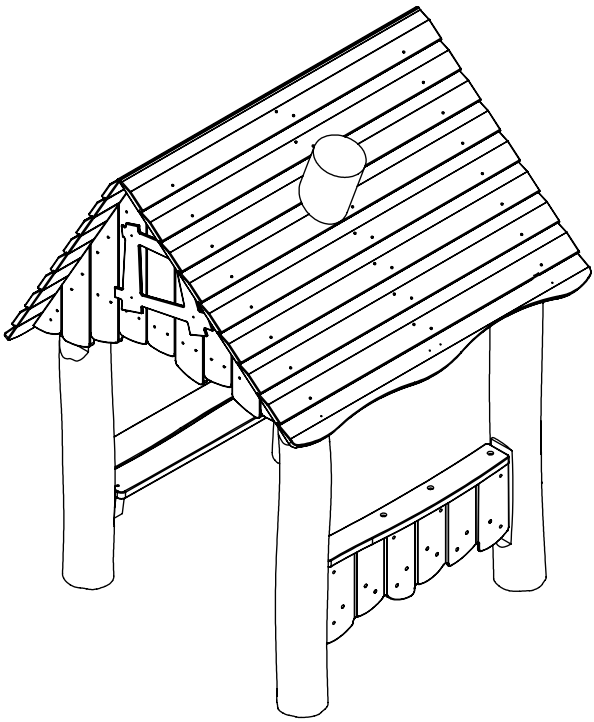
JROY33

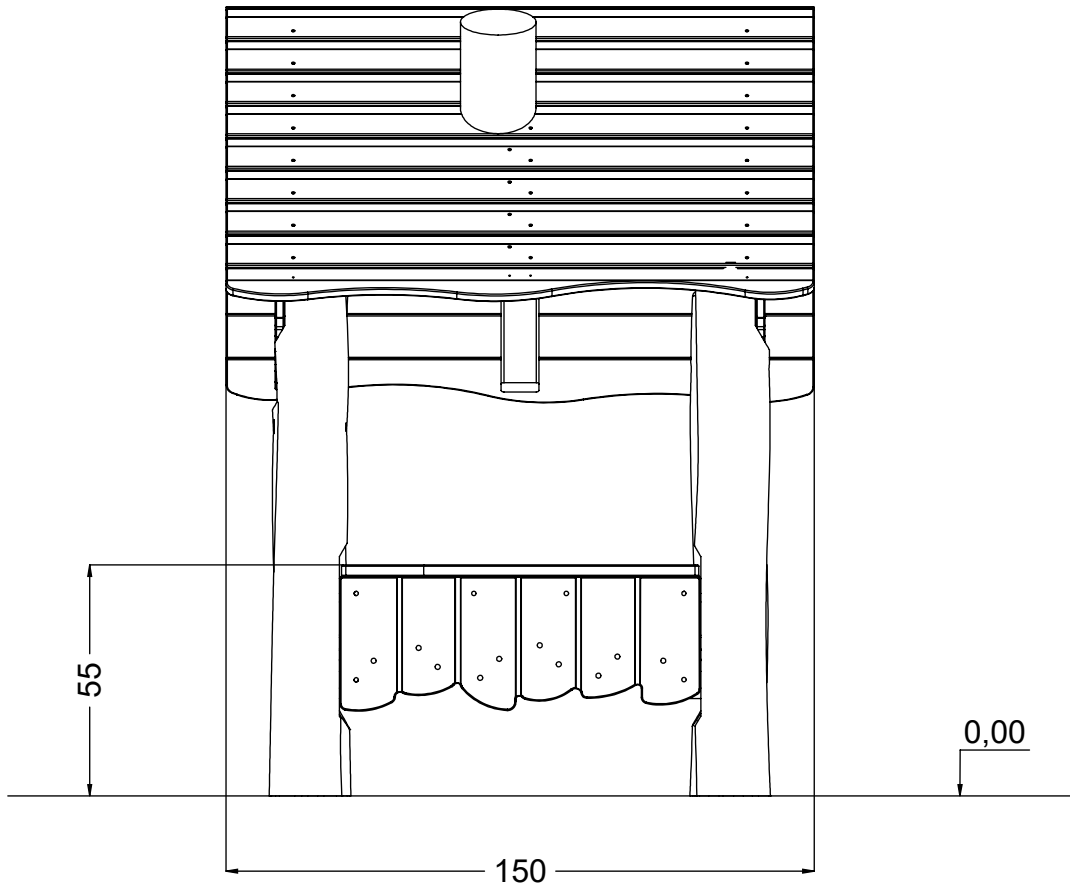
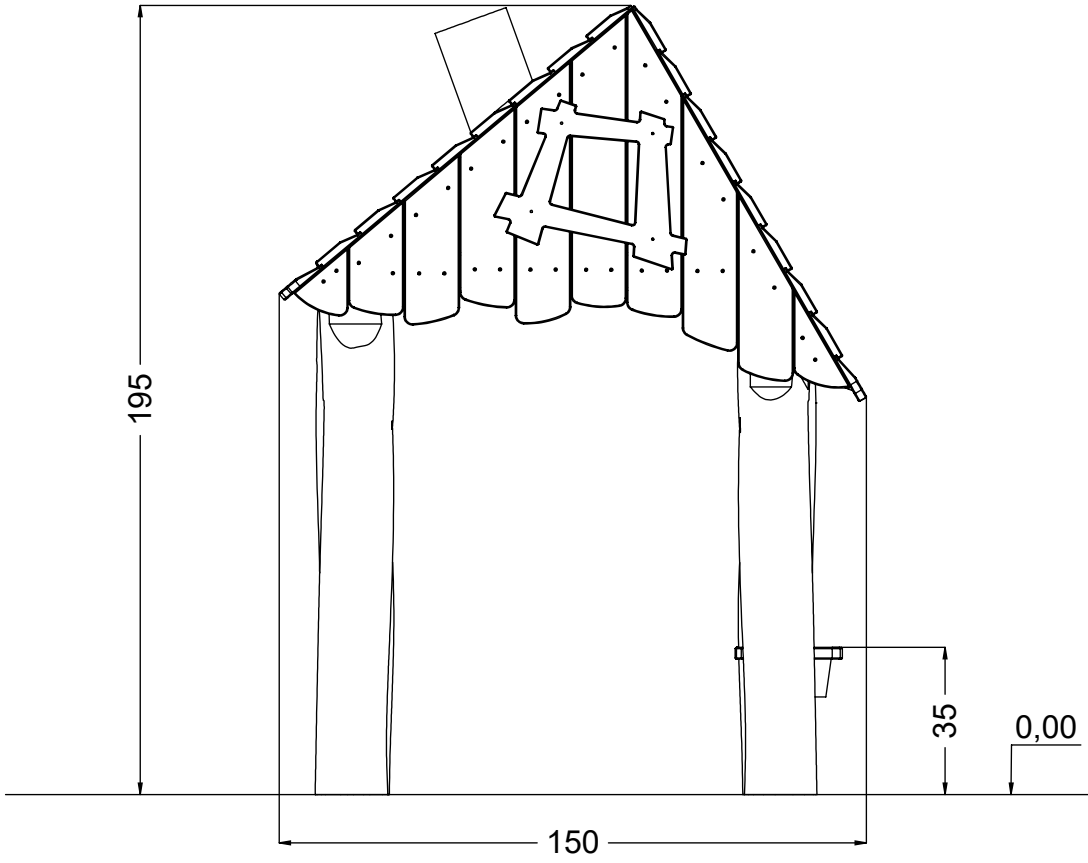


v012
01.07.2022
D. P.
[cm]



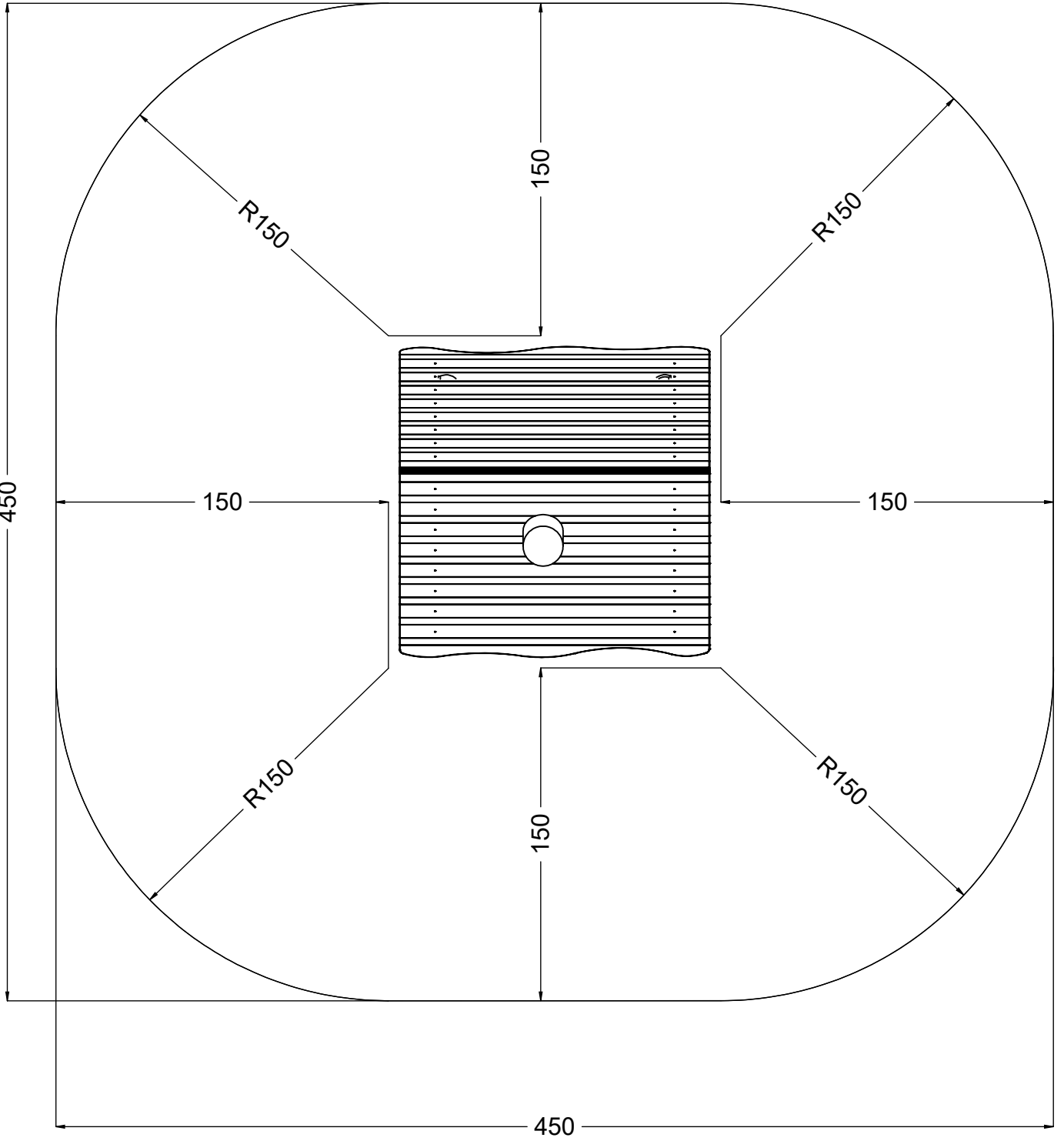
BENITO
-Play





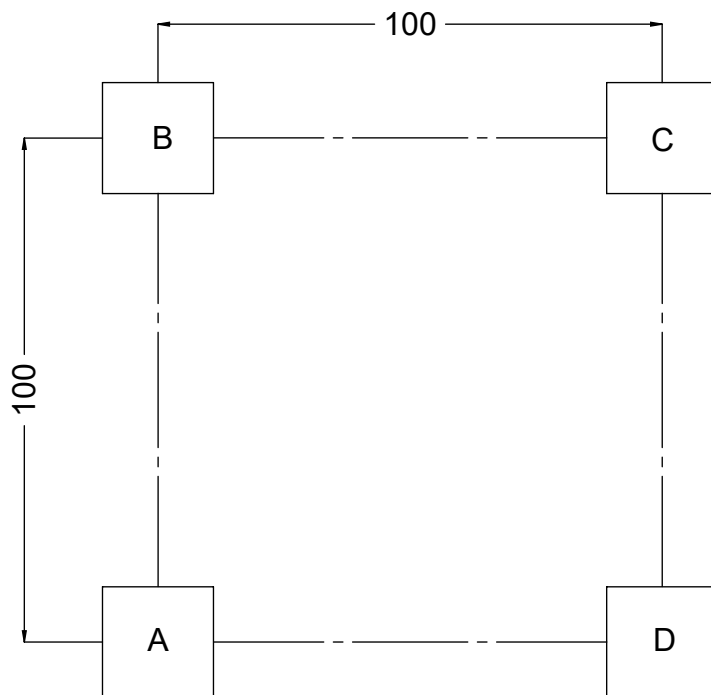
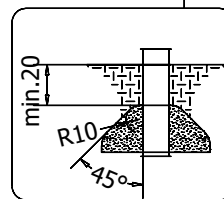
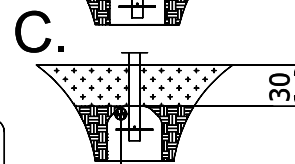
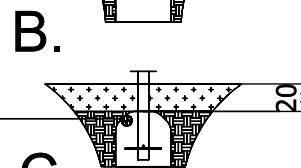
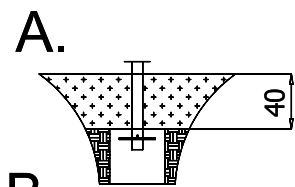
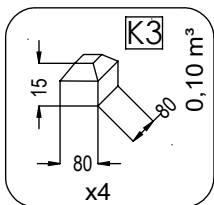
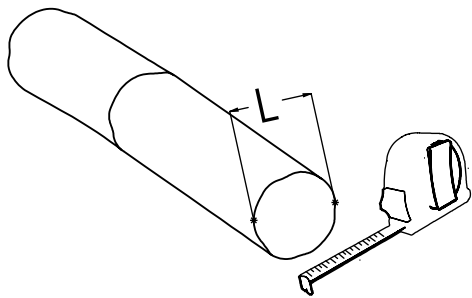
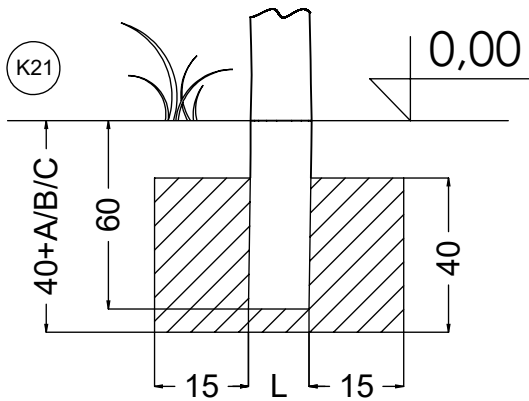
[cm]





[cm]

48h



[cm]



2h





127338 A
x1



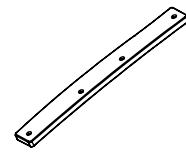
127339 B
x1



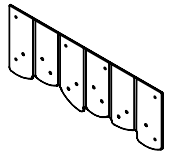
127340 C
x1



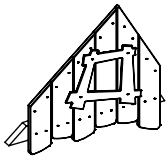
127341 D
x1



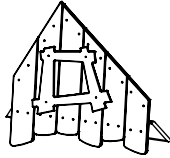
128185
x1



121124
x1



124135
x1



124132
x1



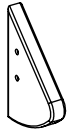
128229
128117
x1



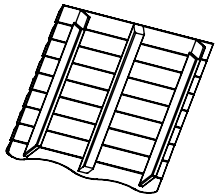
128230
128118
x1



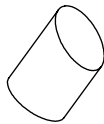
128237
128125
x1



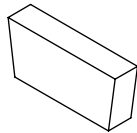
128238
128126
x1



124133
x2



128172
x1



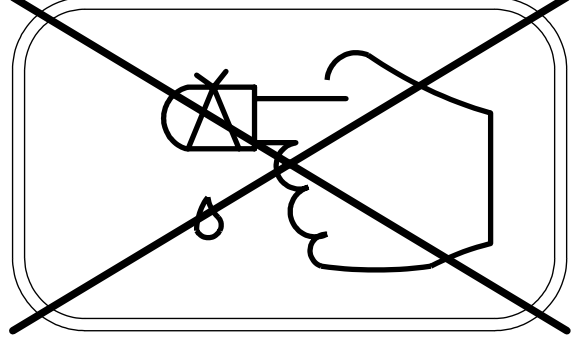
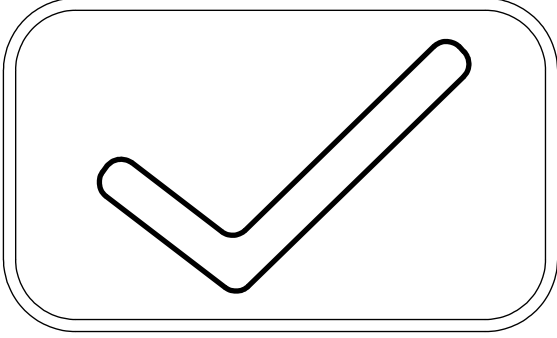
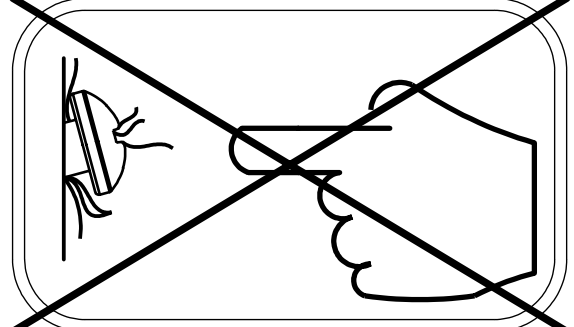
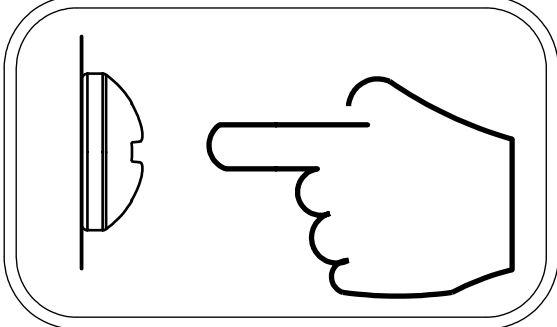
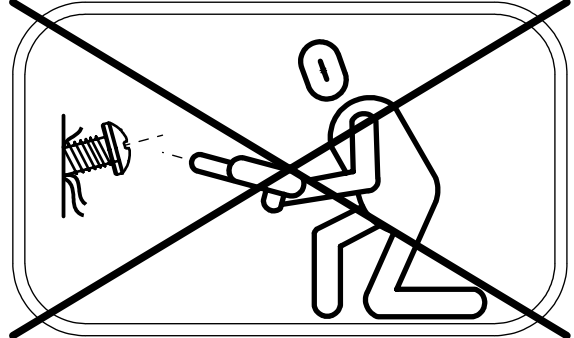
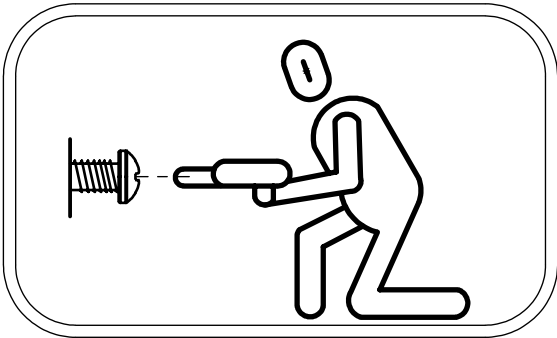
128154
x2

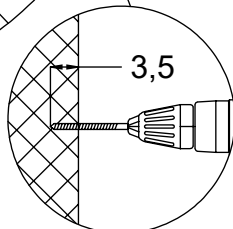
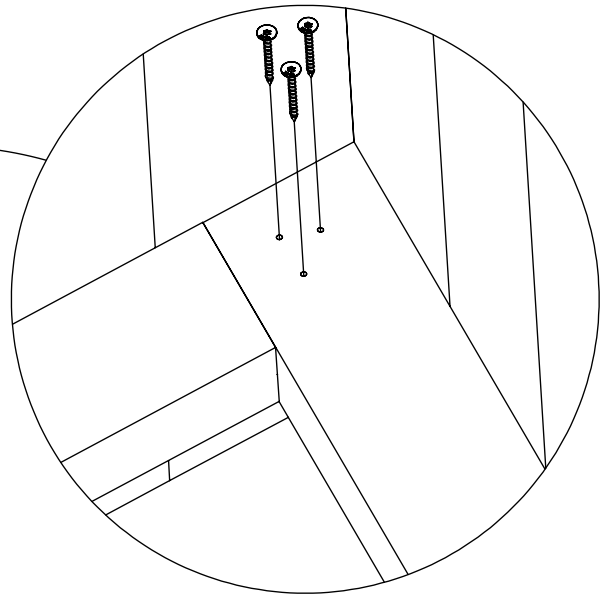
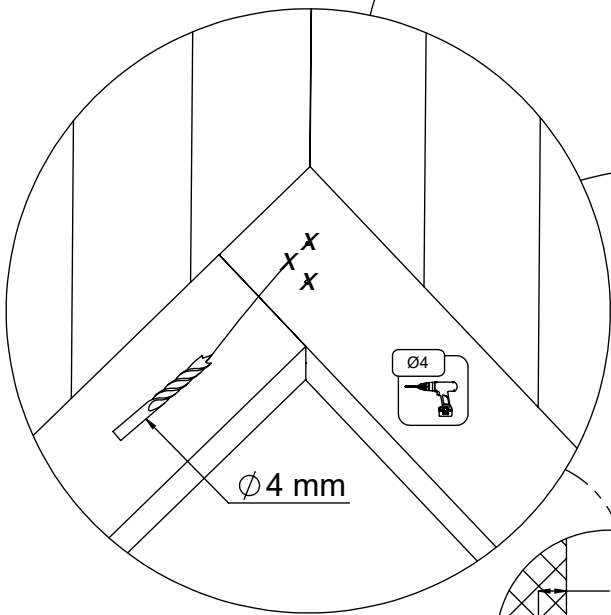
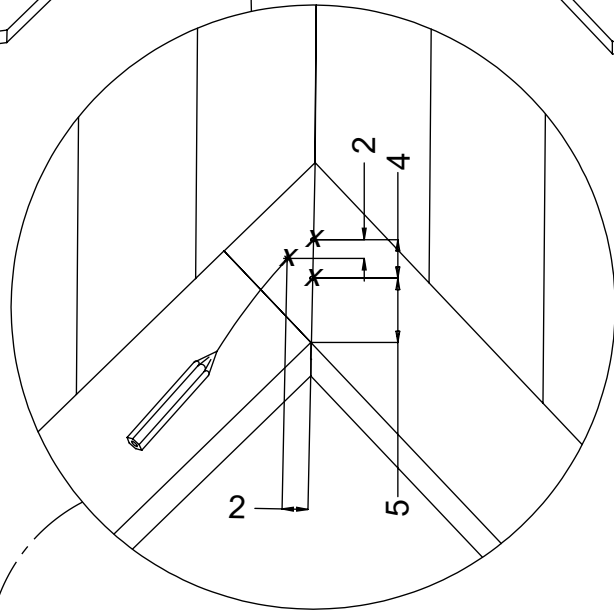
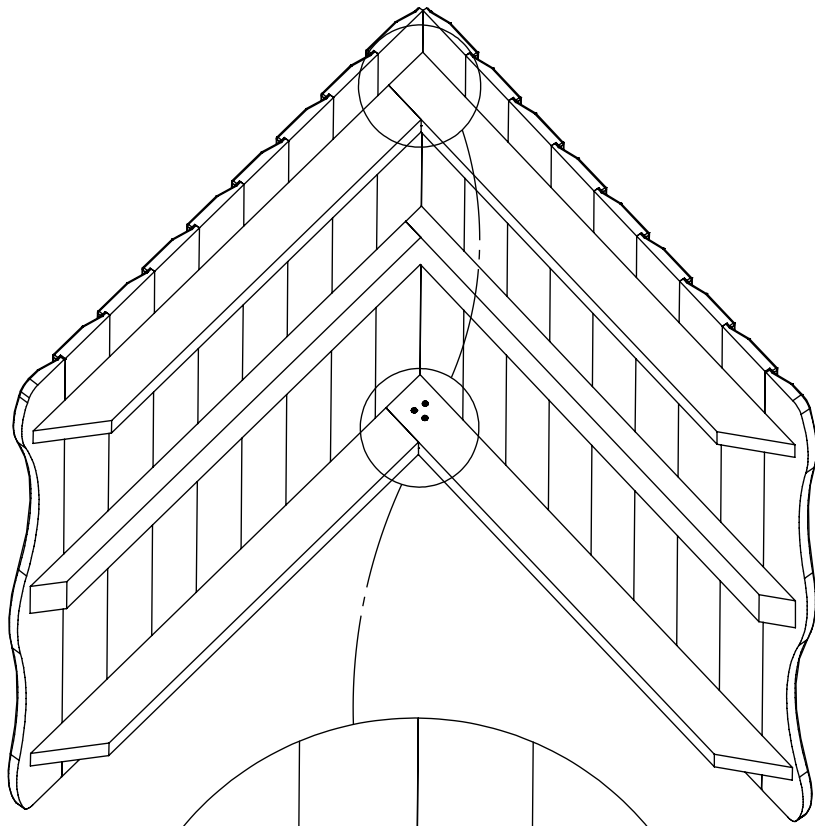


128153
x2

6x	7x35sxi
42x	5x50sxs
15x	5x80sxs
8x	8x80sxt
4x	8x50sxi
16x	8x120sxi (K3)

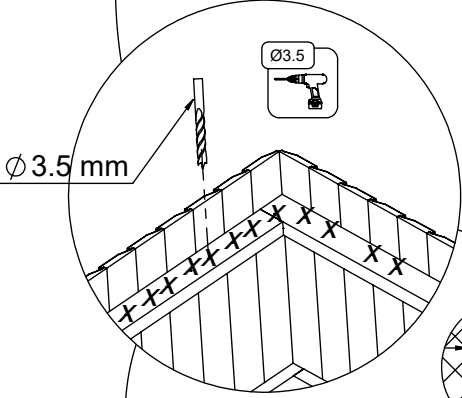
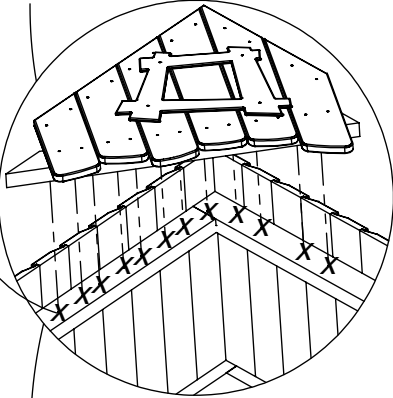
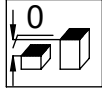
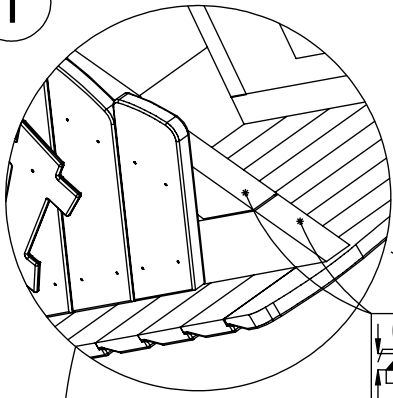
1x	12e056
4x	12e109 (K3)
1x	V001



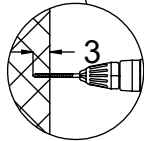


6x 7x35 sxi

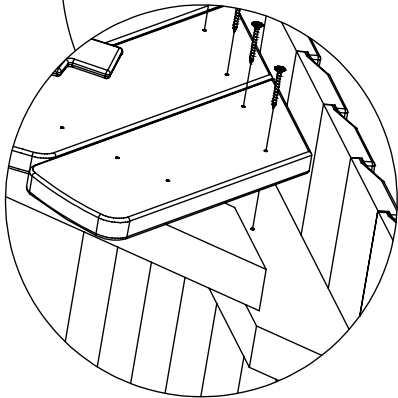
1



Ø 3.5 mm

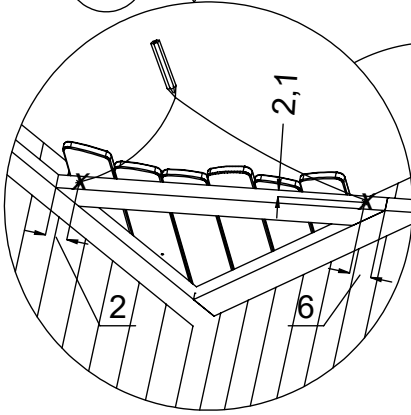


3



24x 5x50sxs

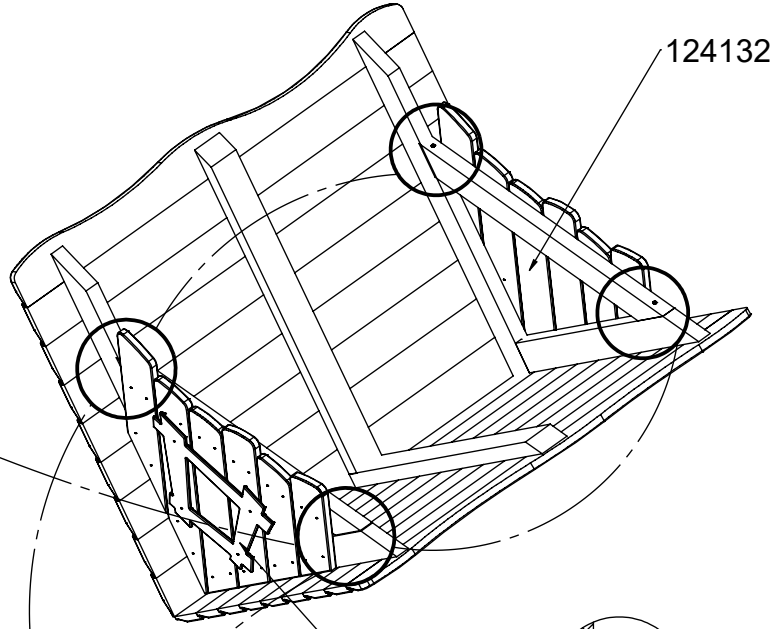
2



2

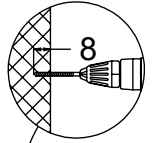
2,1

6



124132

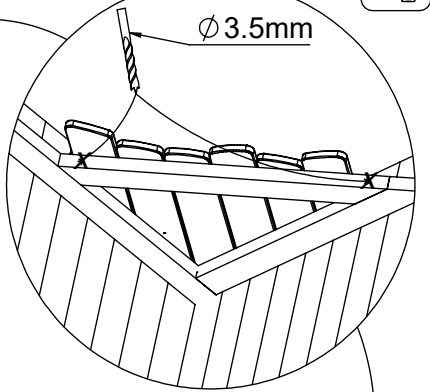
124135



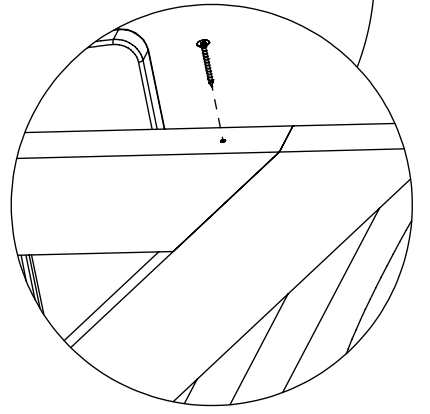
8



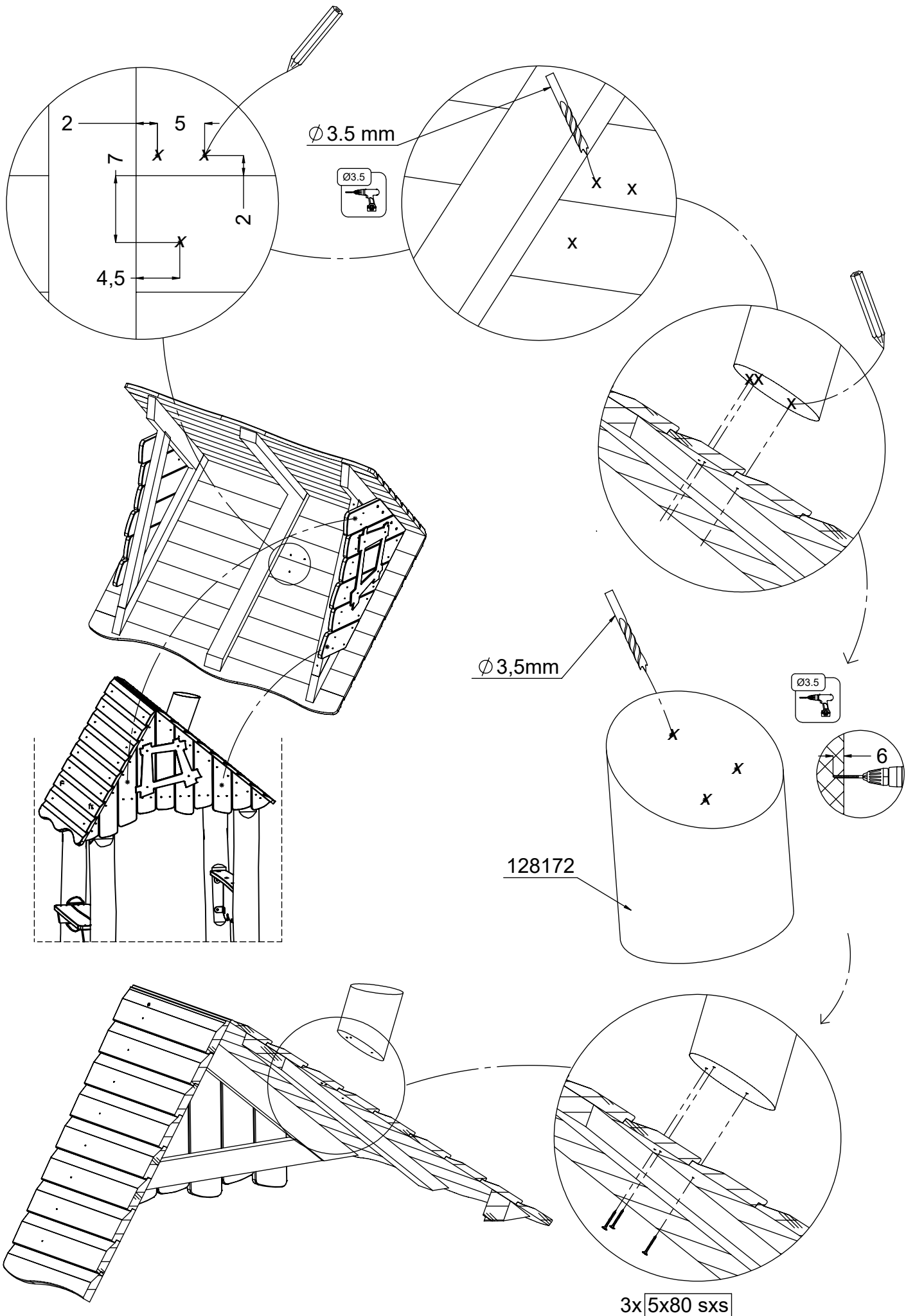
Ø3.5



Ø 3.5 mm



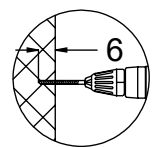
4x 5x80sxs



Ø 3.5 mm



Ø 3,5mm



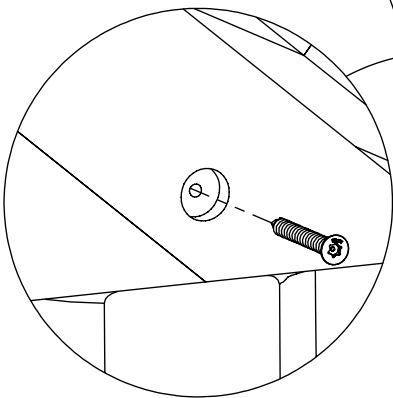
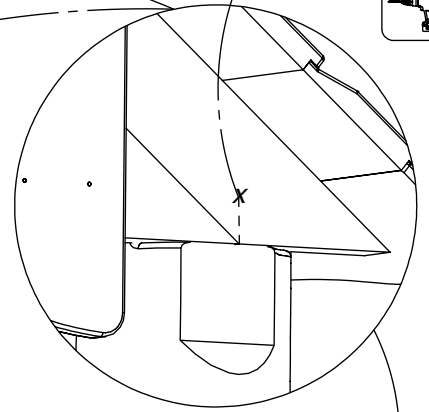
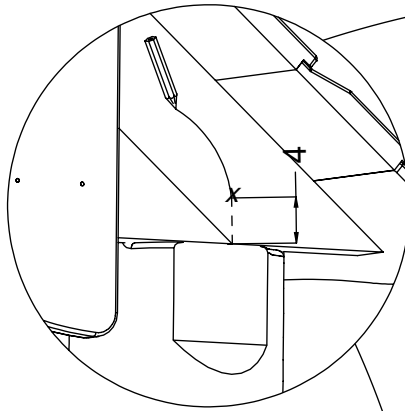
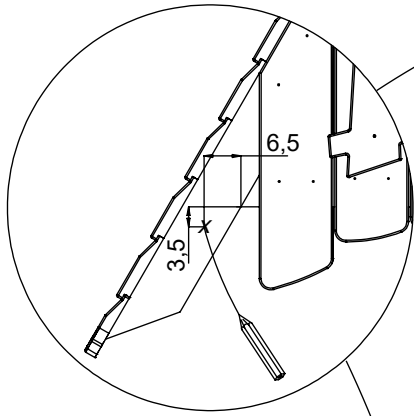
128172

3x 5x80 sxs

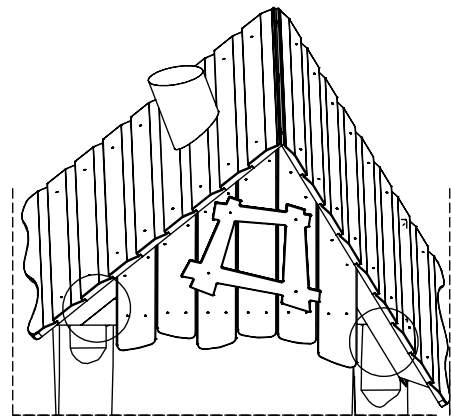
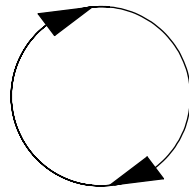
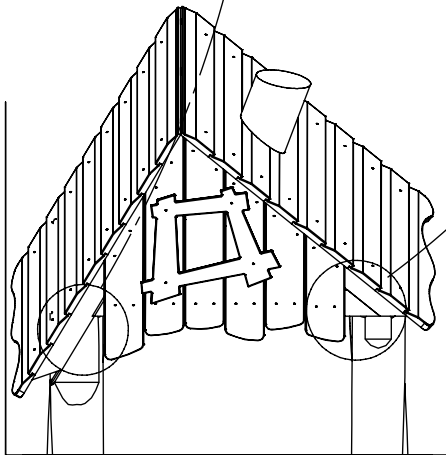
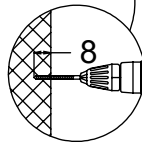
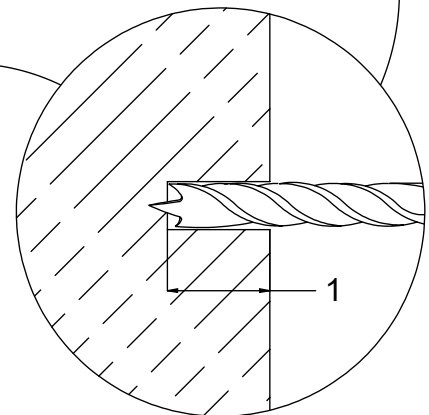
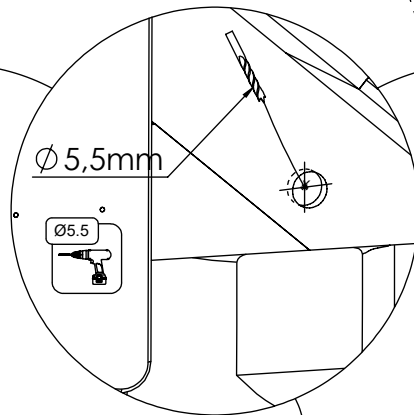
[cm]

Ø 24 mm

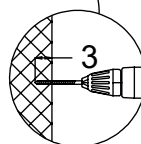
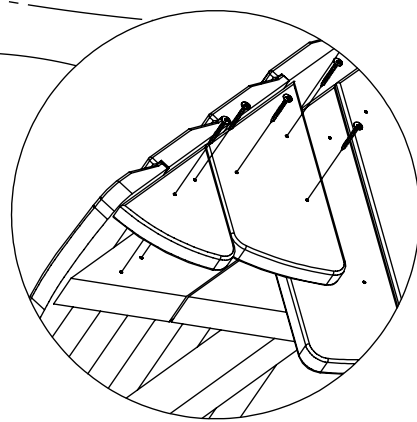
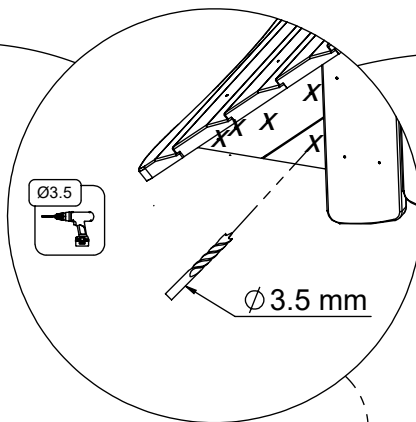
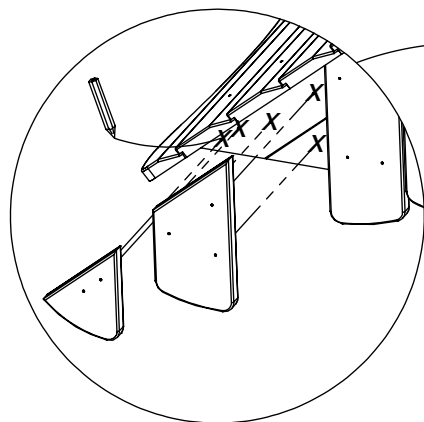
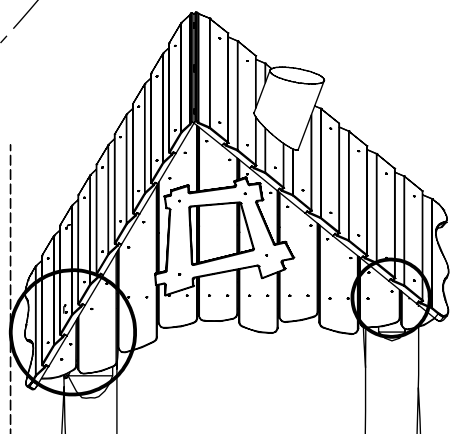
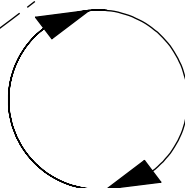
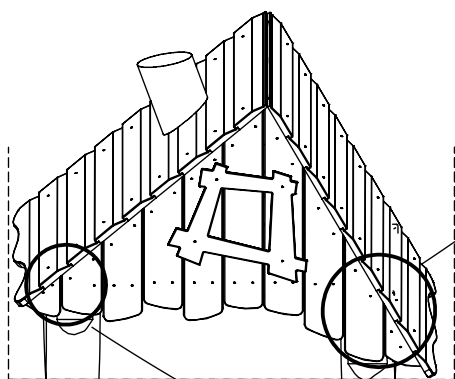
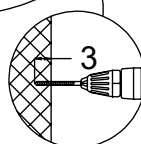
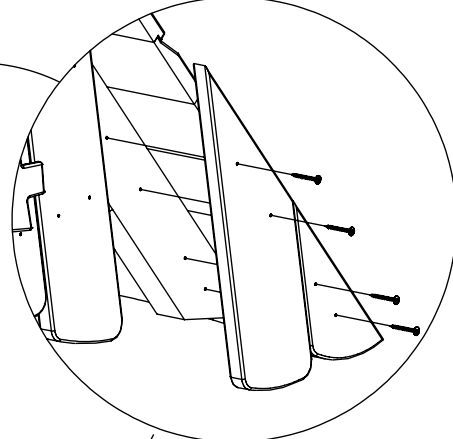
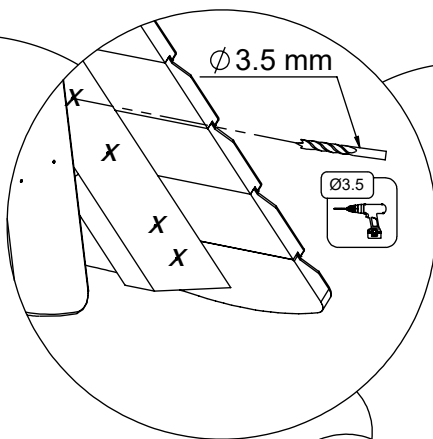
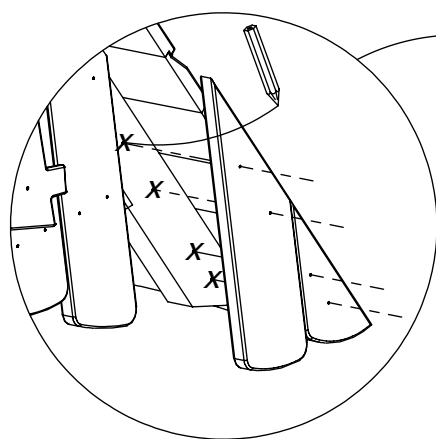
Ø24

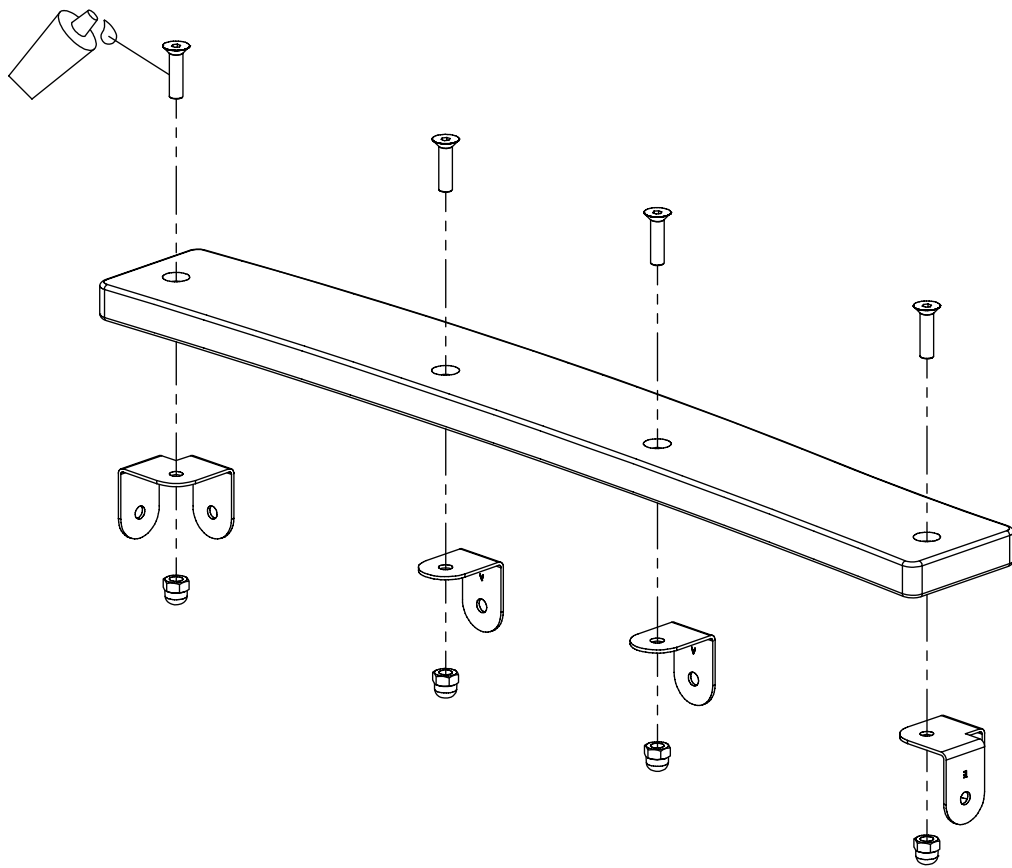


4x 8x80sxt

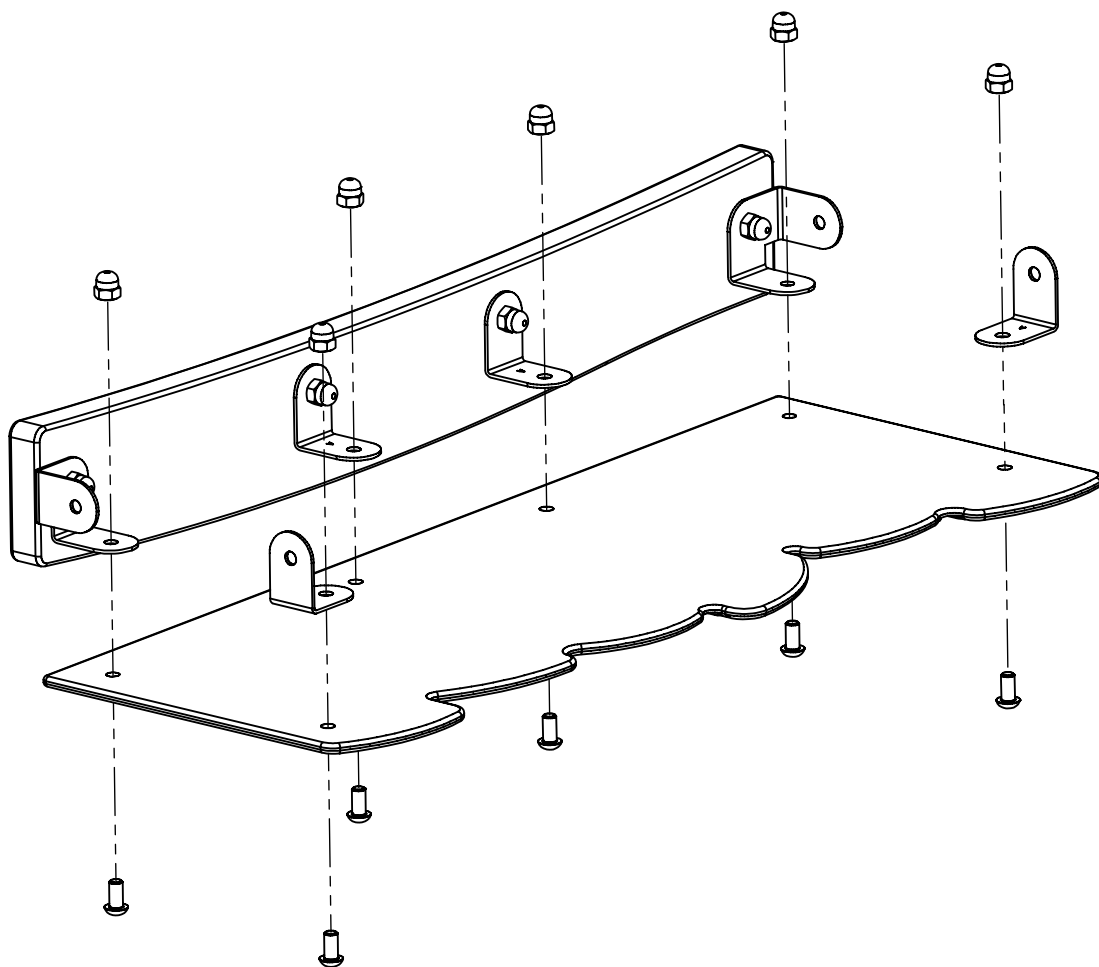


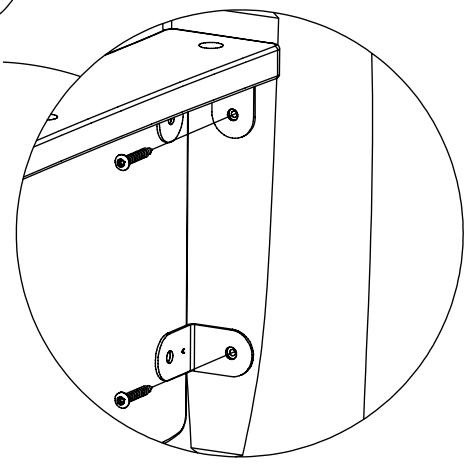
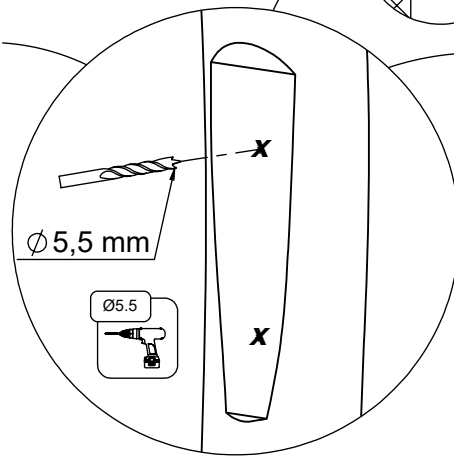
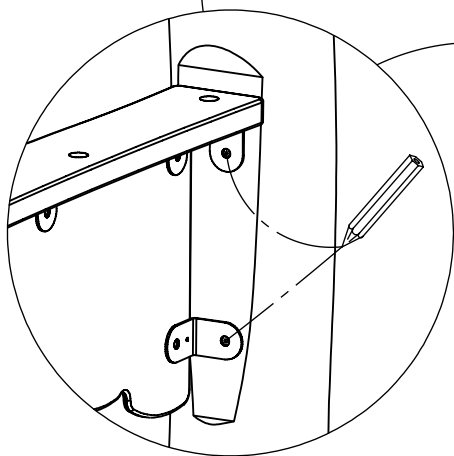
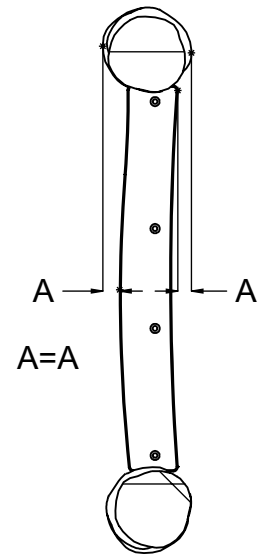
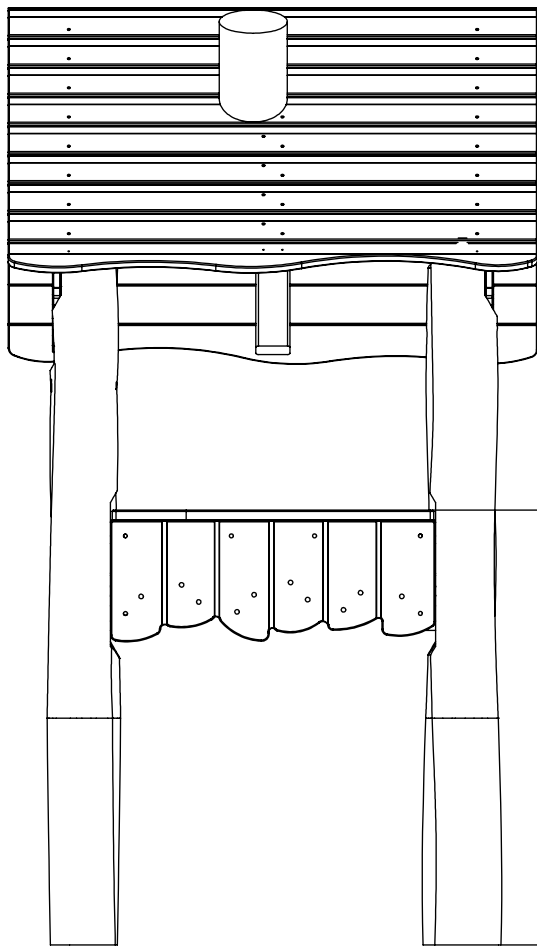
[cm]



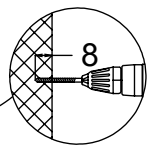
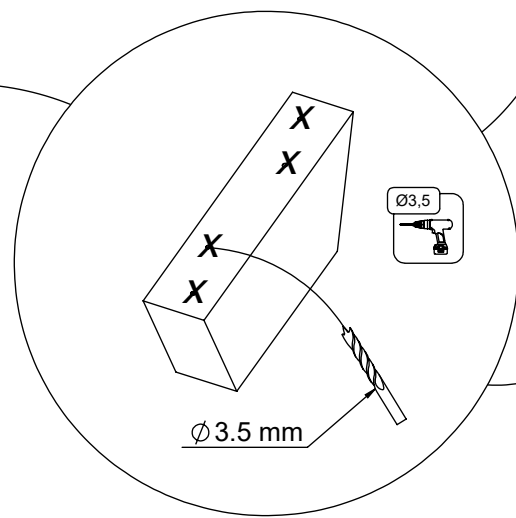
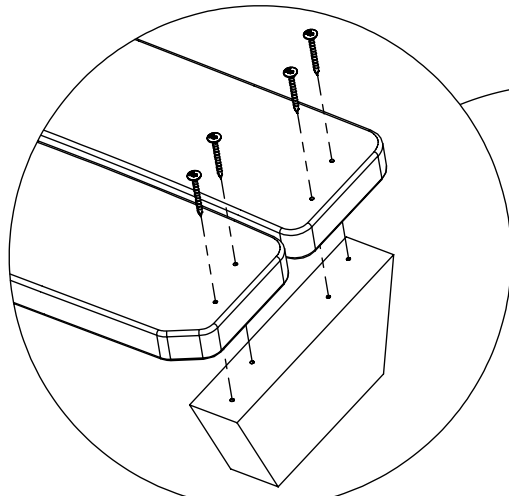
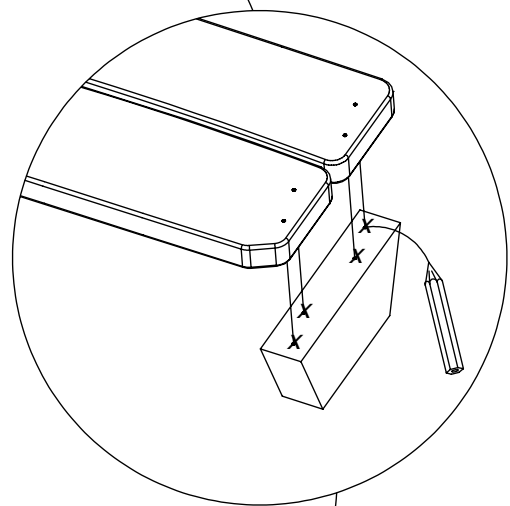
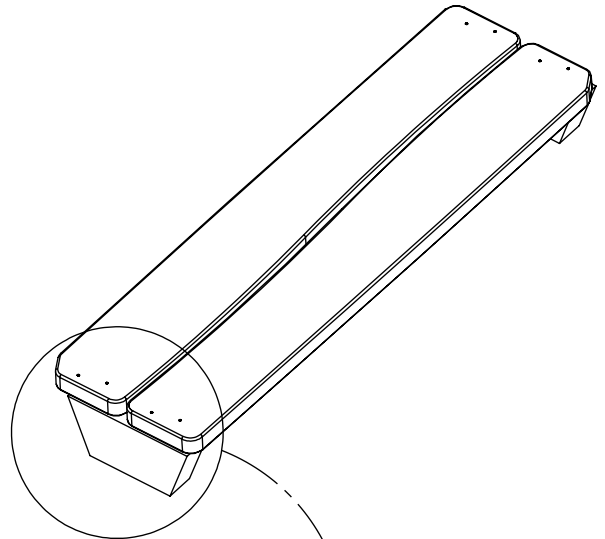
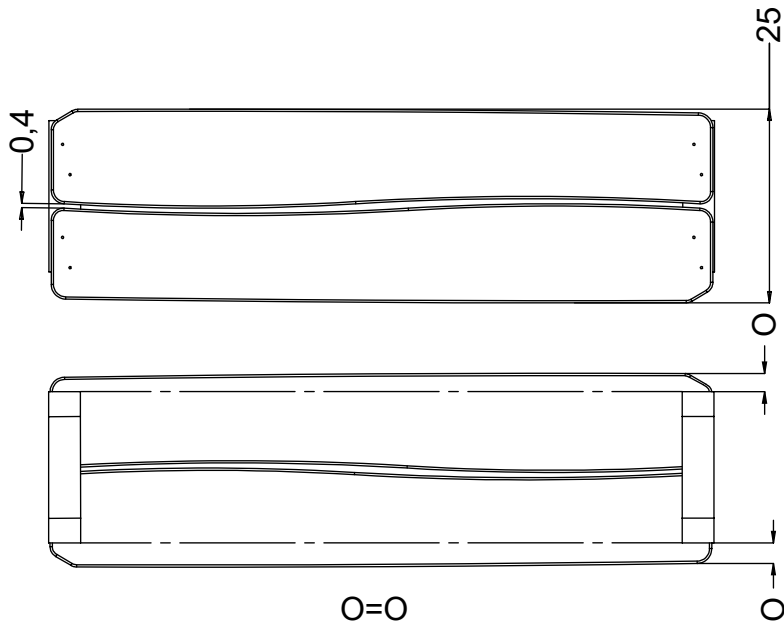
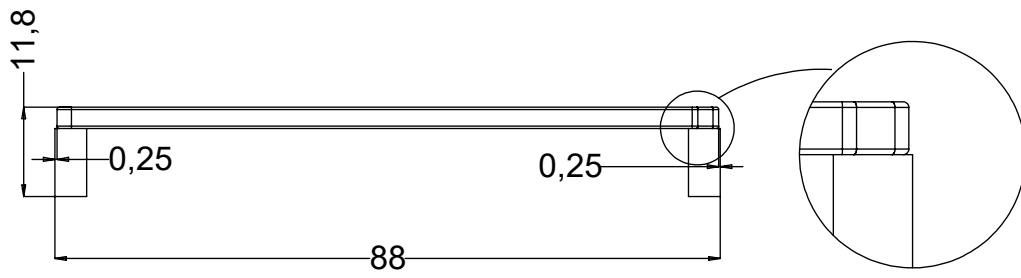


1x 12e056

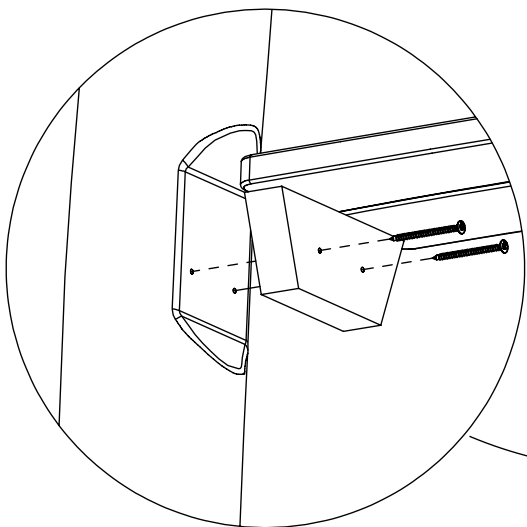
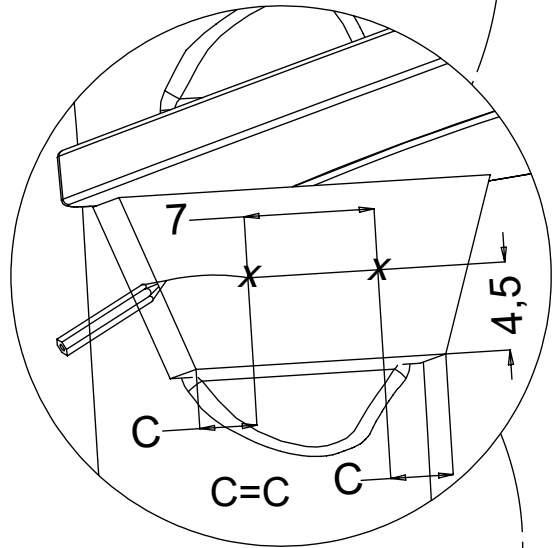
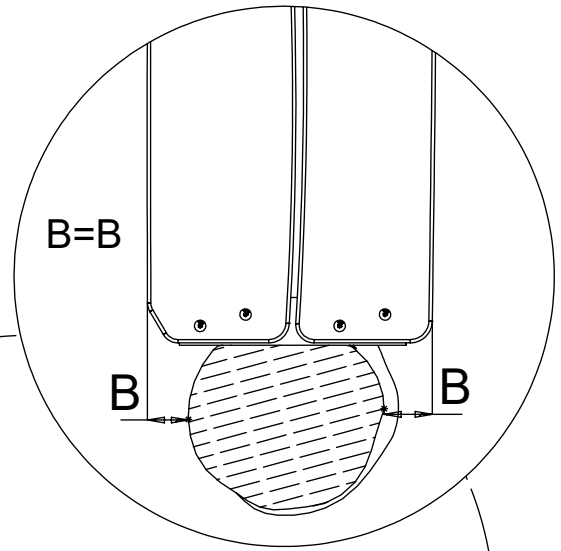
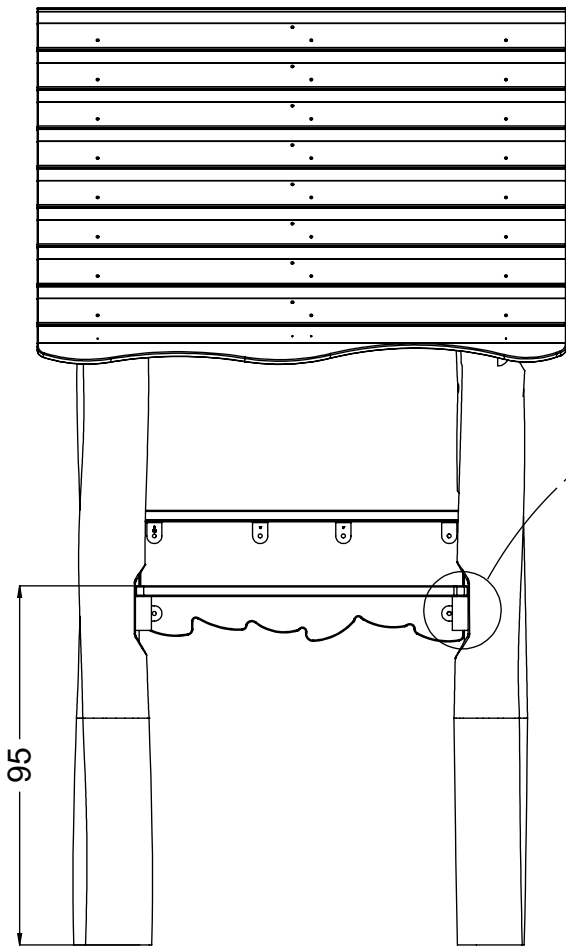




4x 8x50sxi



8x 5x80sxs



4x 8x80sxt



Ø 5,5mm

