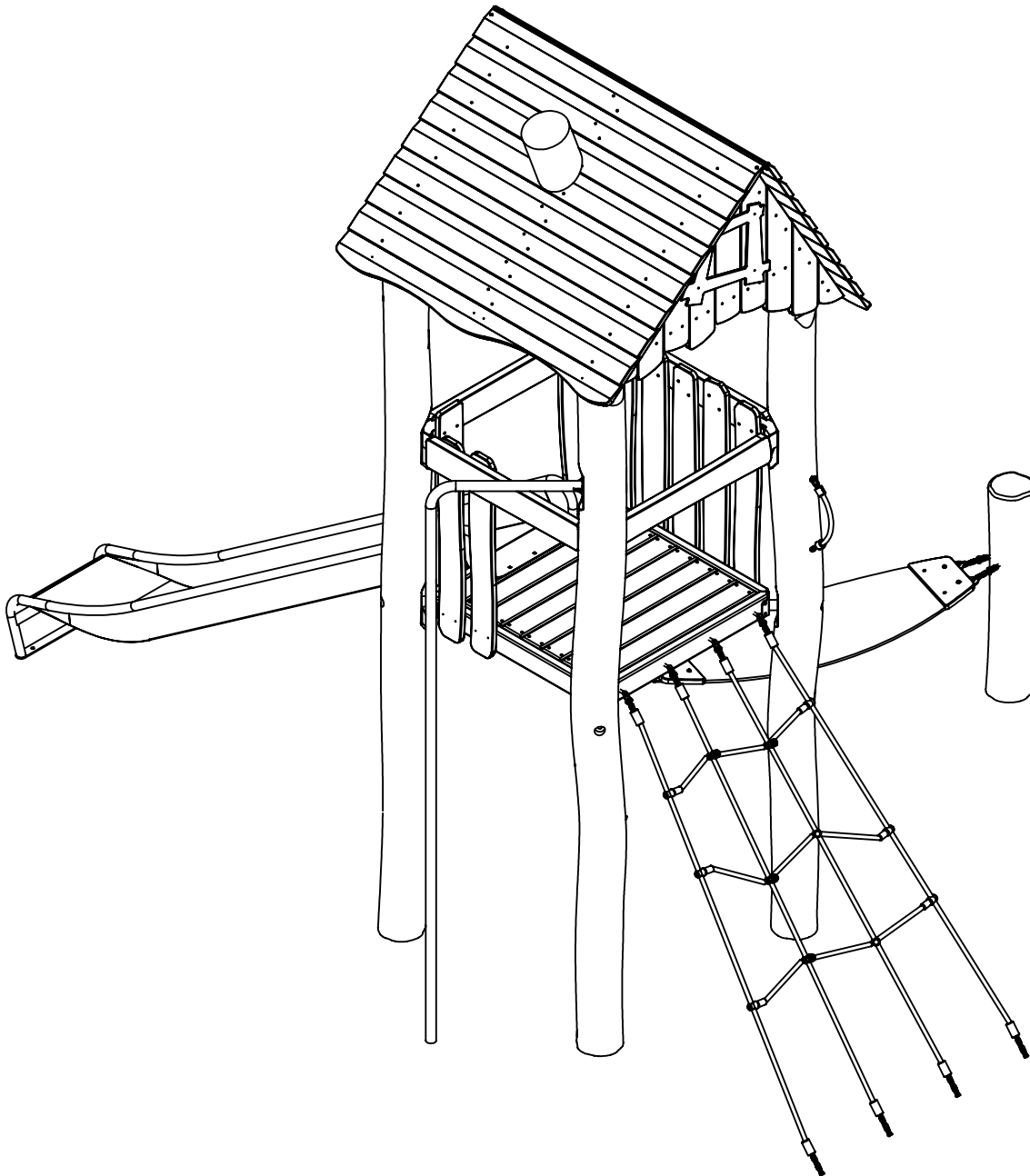
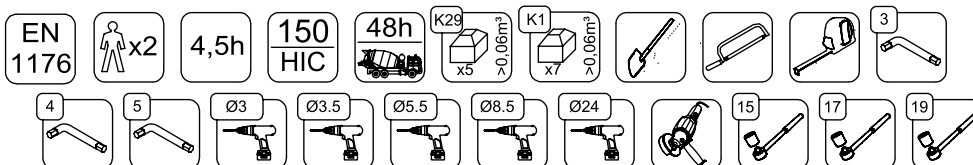


JROY56

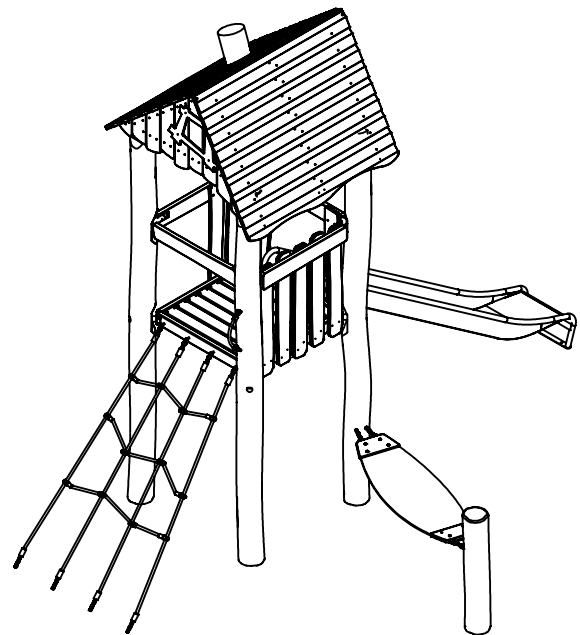
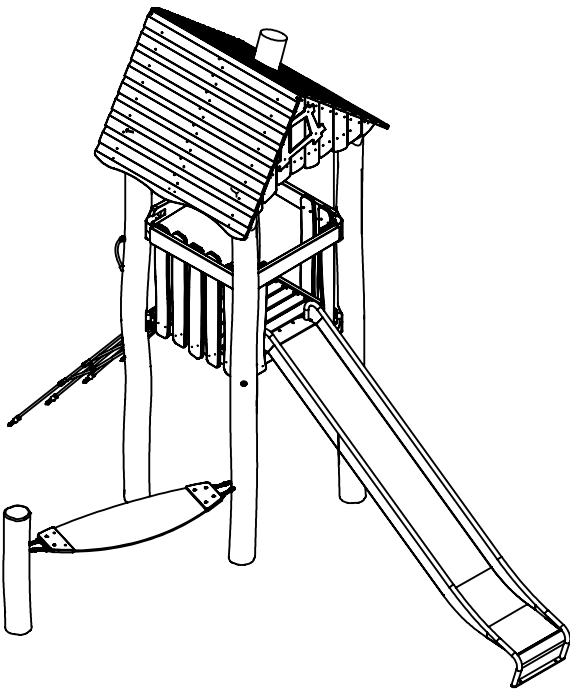
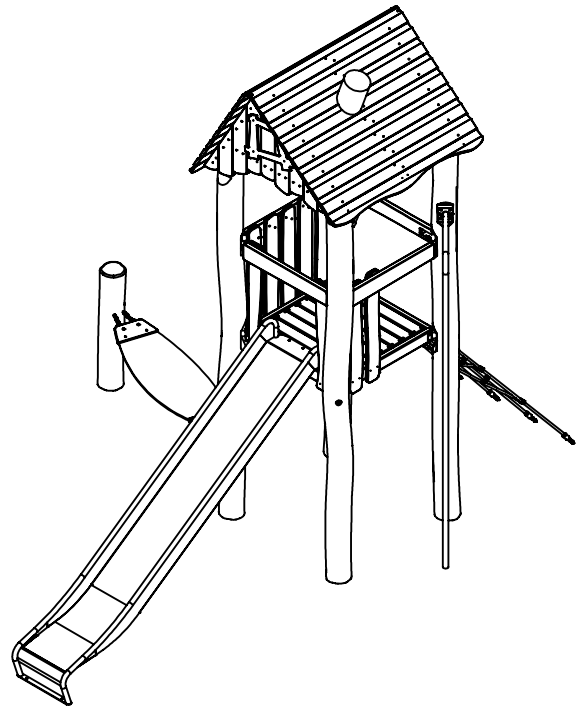
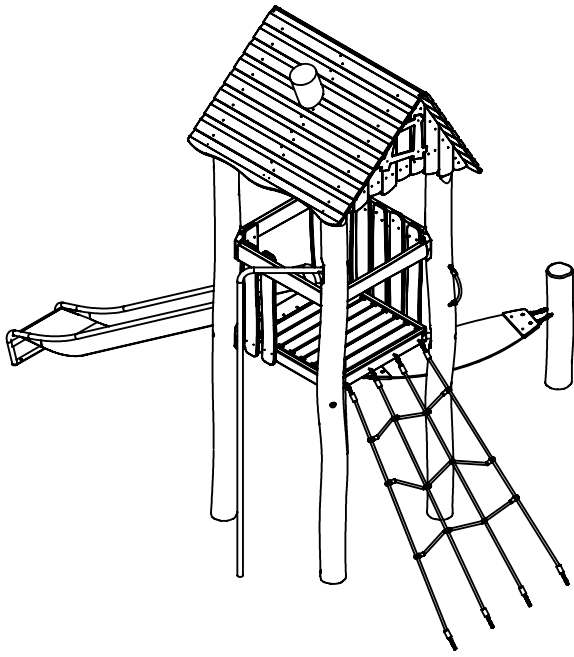


v017
26.01.2023
D.P.

[cm]

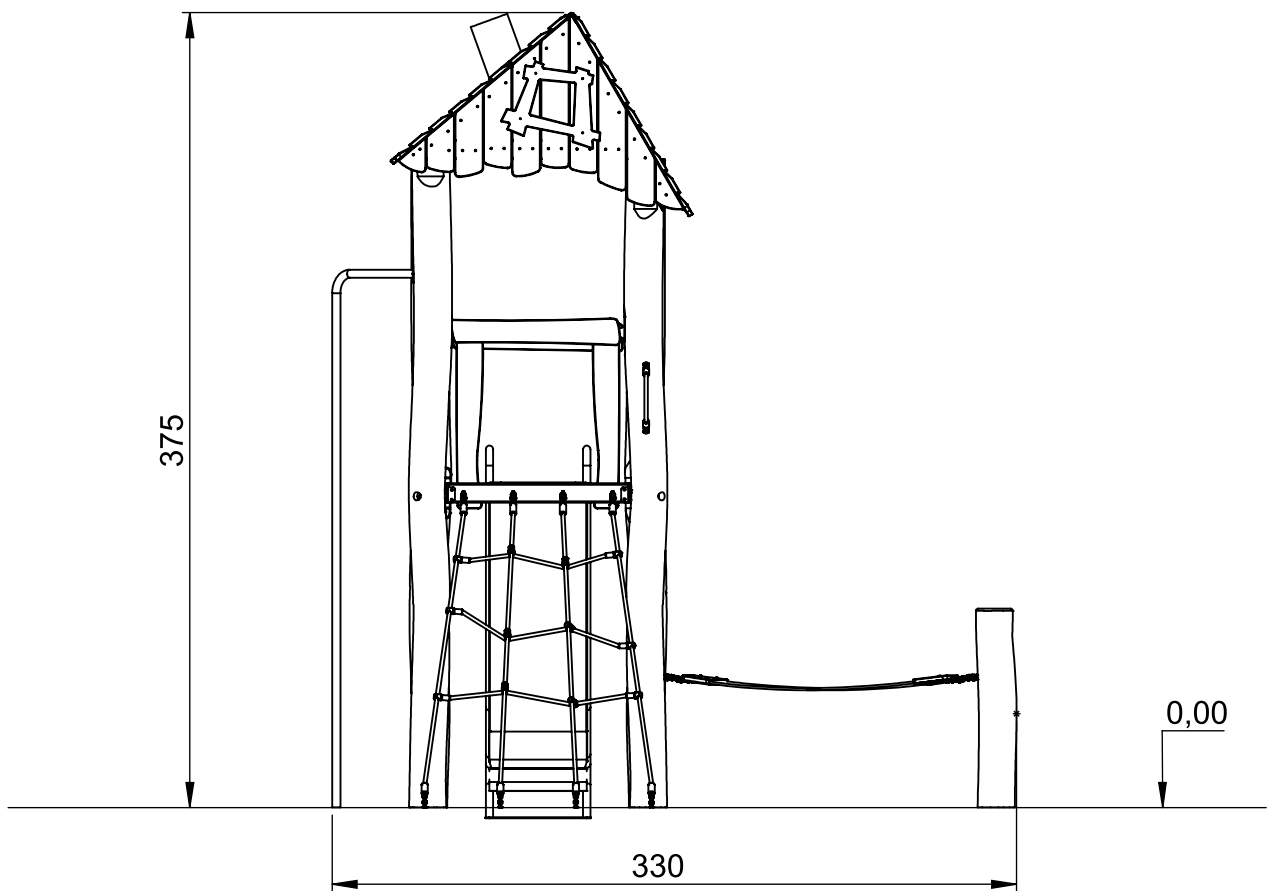
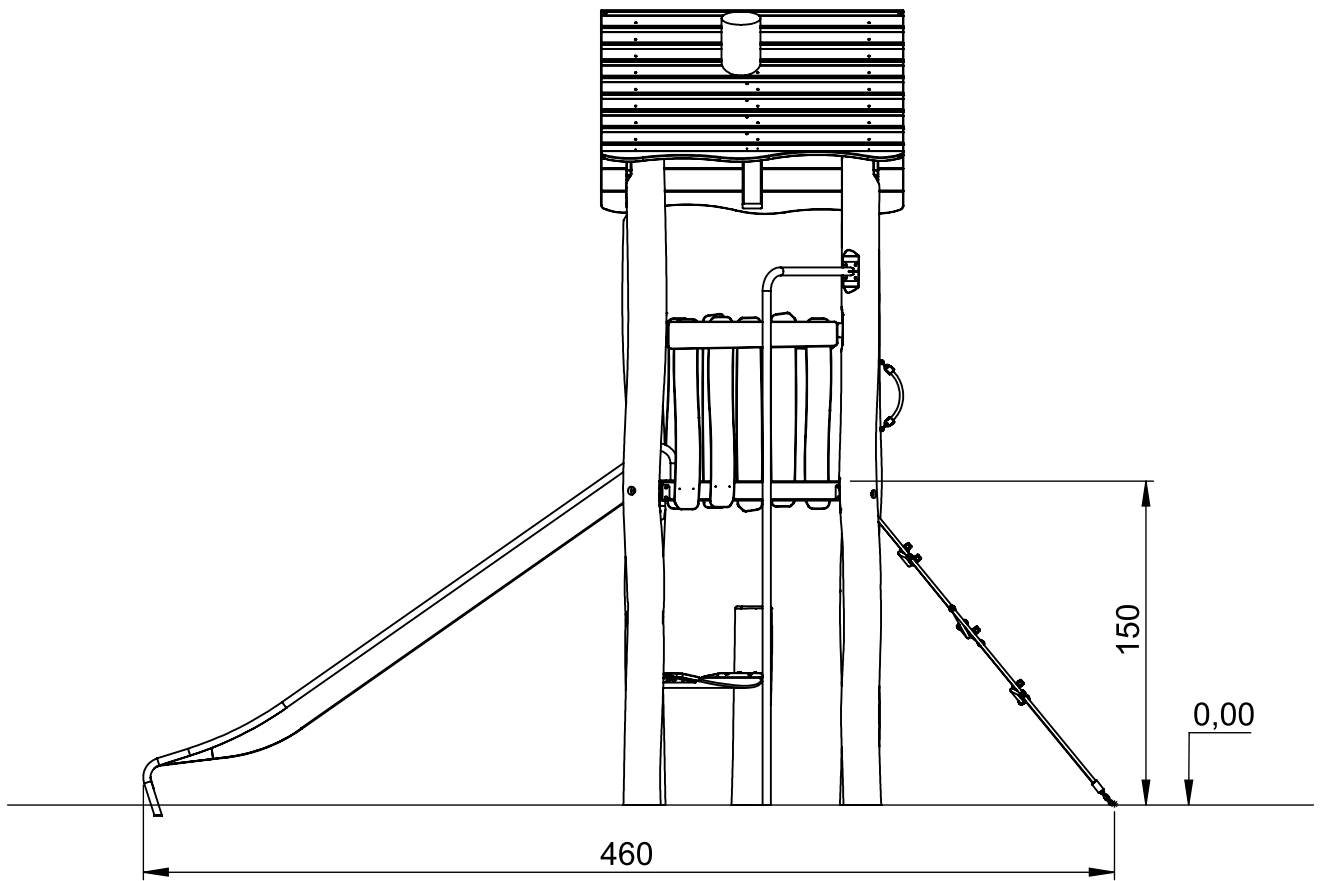


BENITO
-Play



[cm]

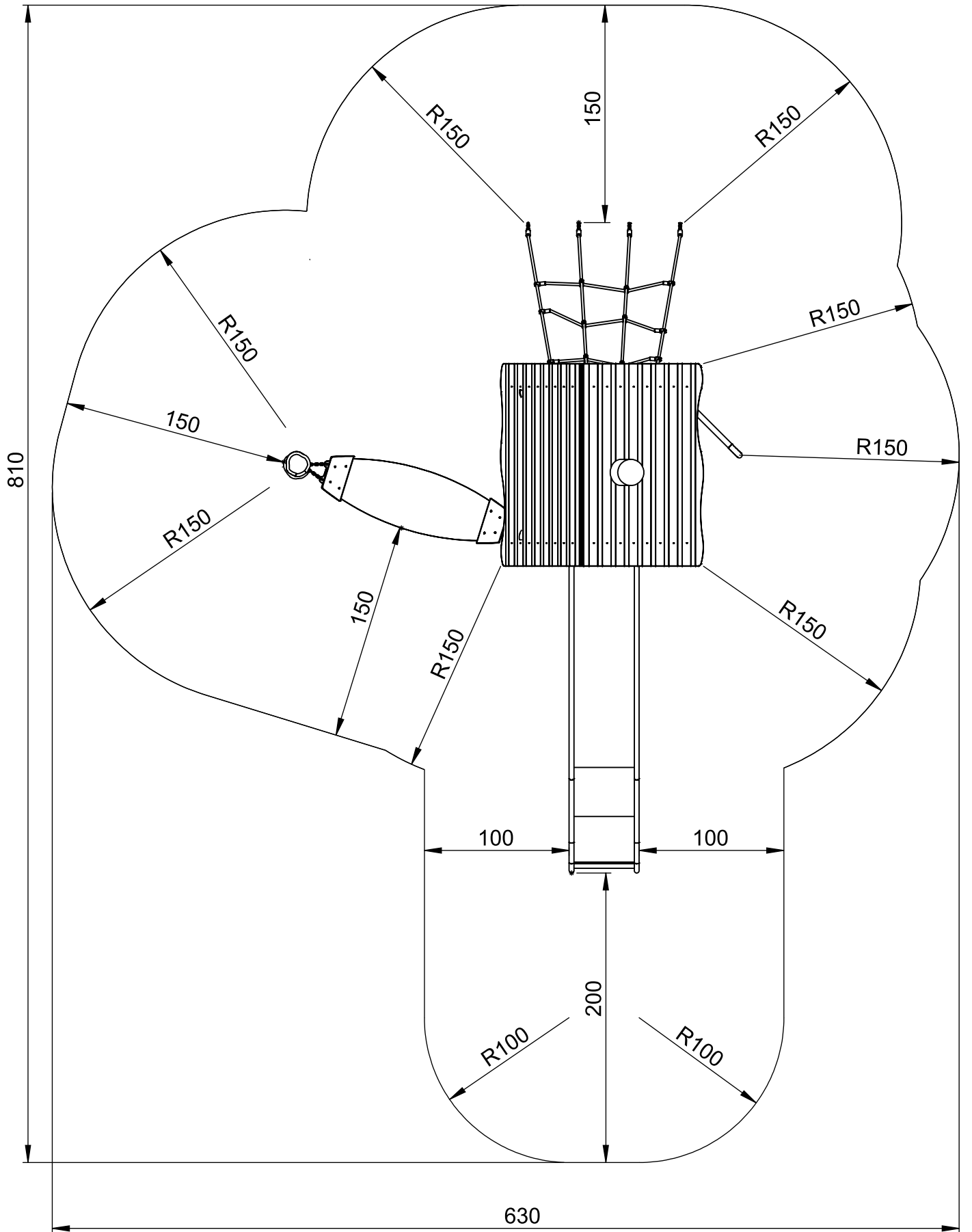
BENITO
-Play



[cm]



BENITO
-Play

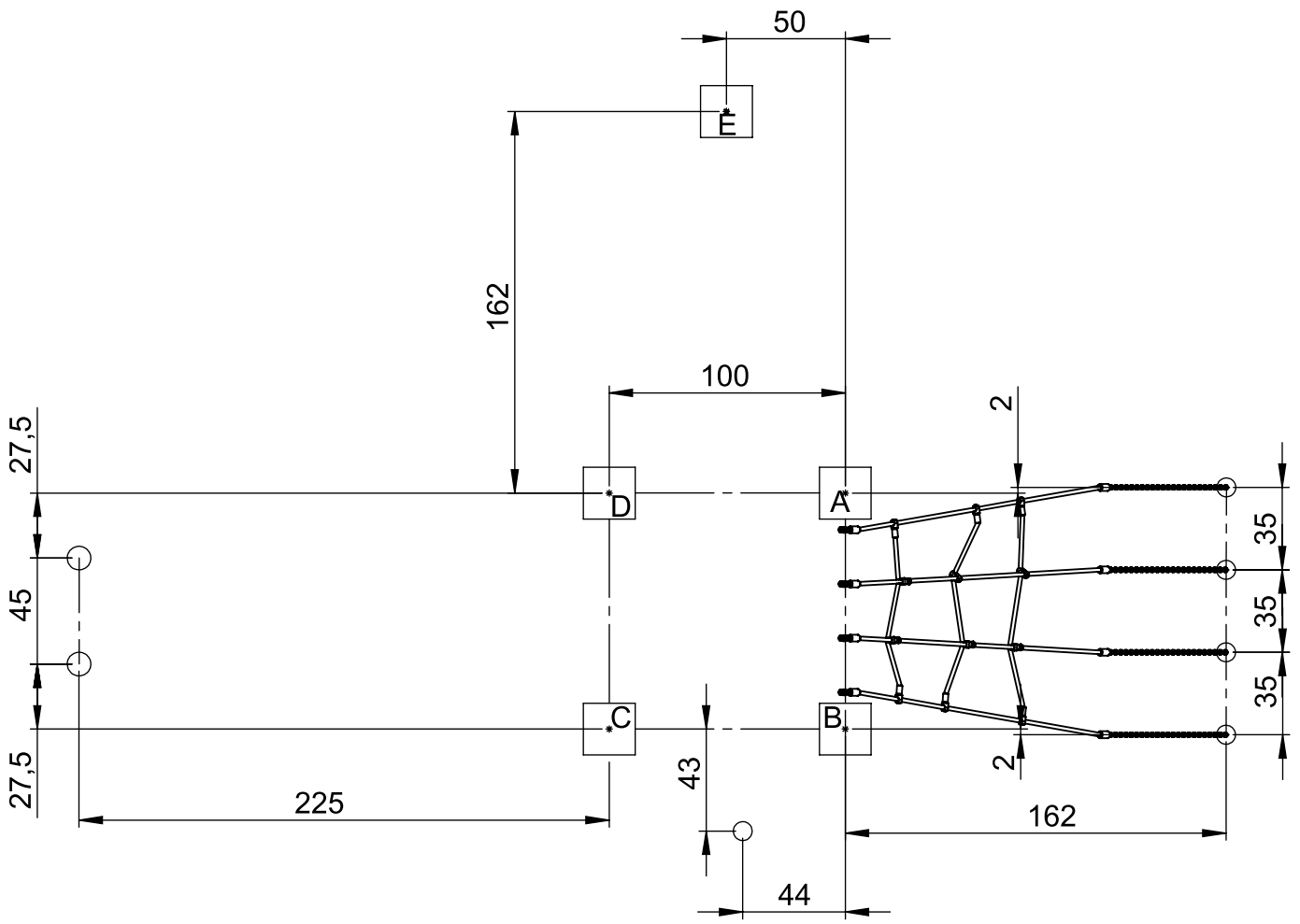
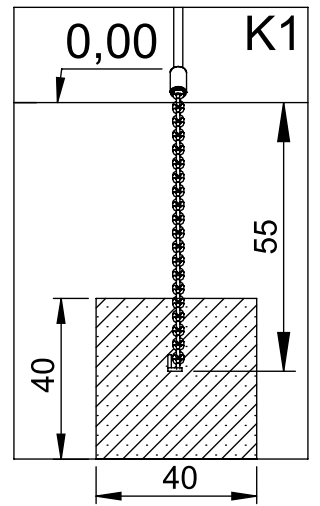
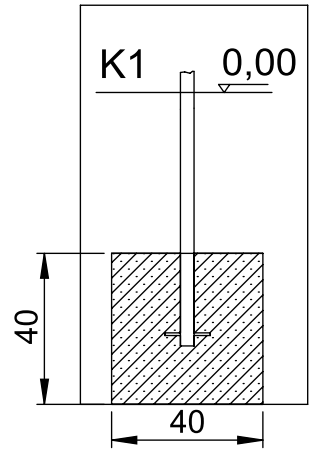
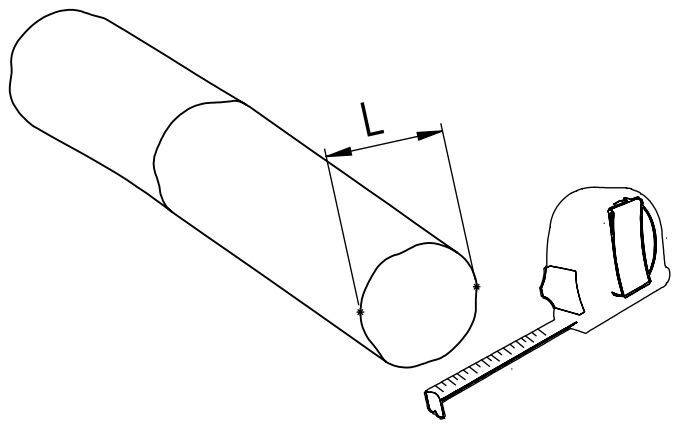
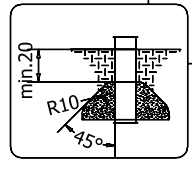
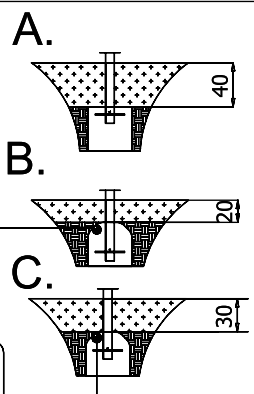
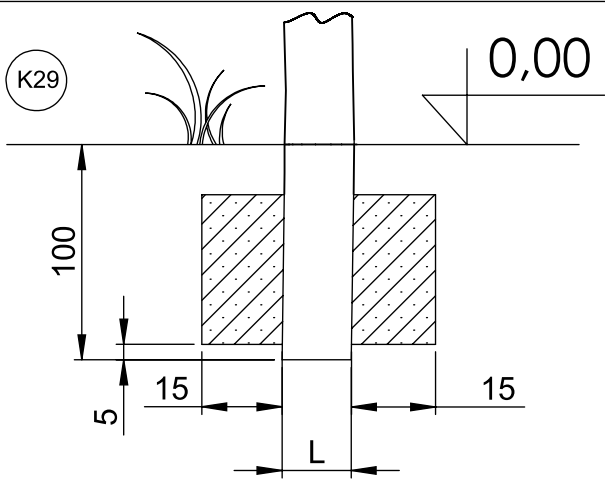


[cm]

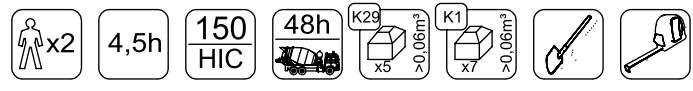


BENITO
-Play

K29

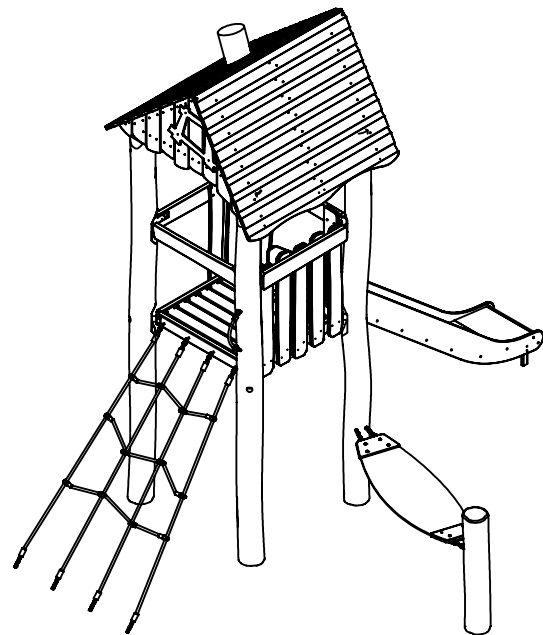
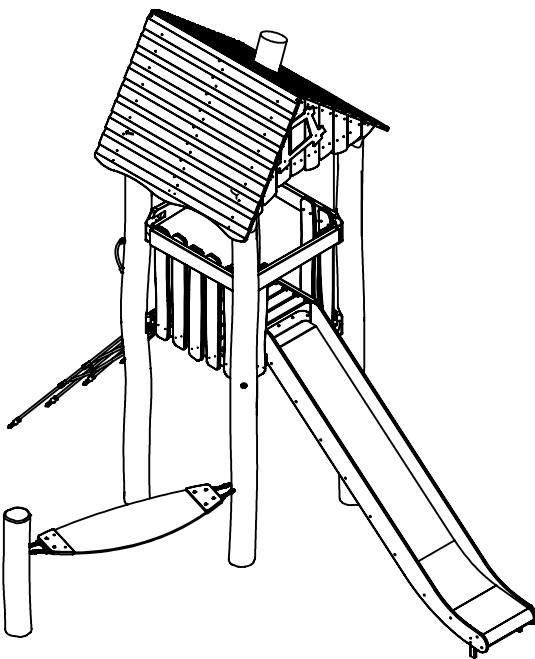
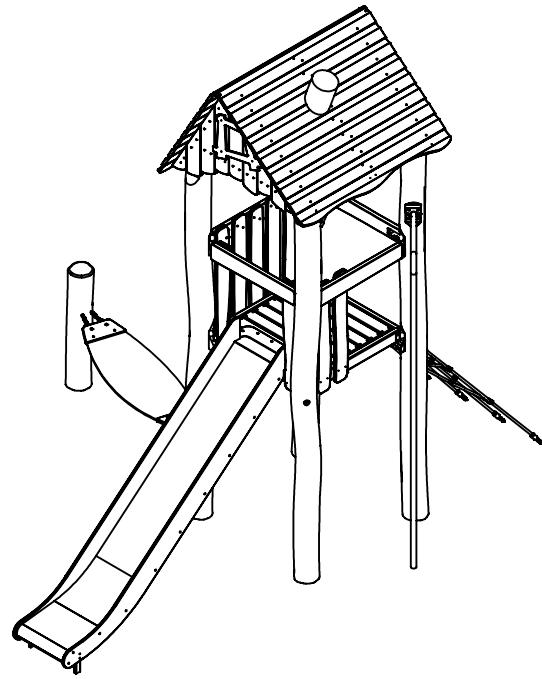
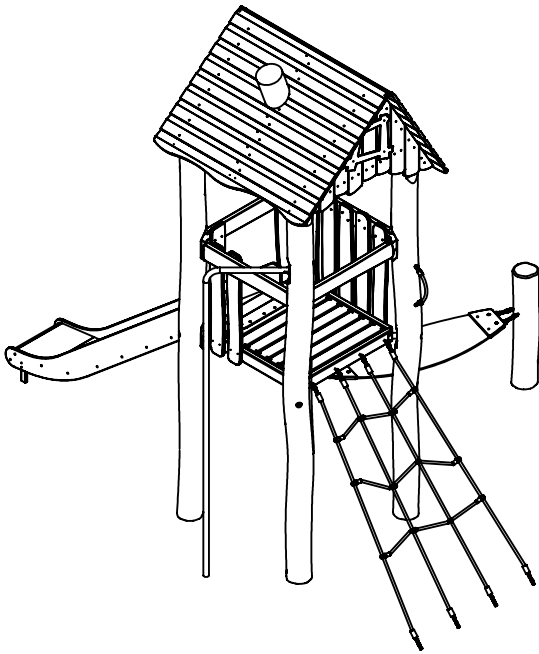


[cm]



BENITO -Play

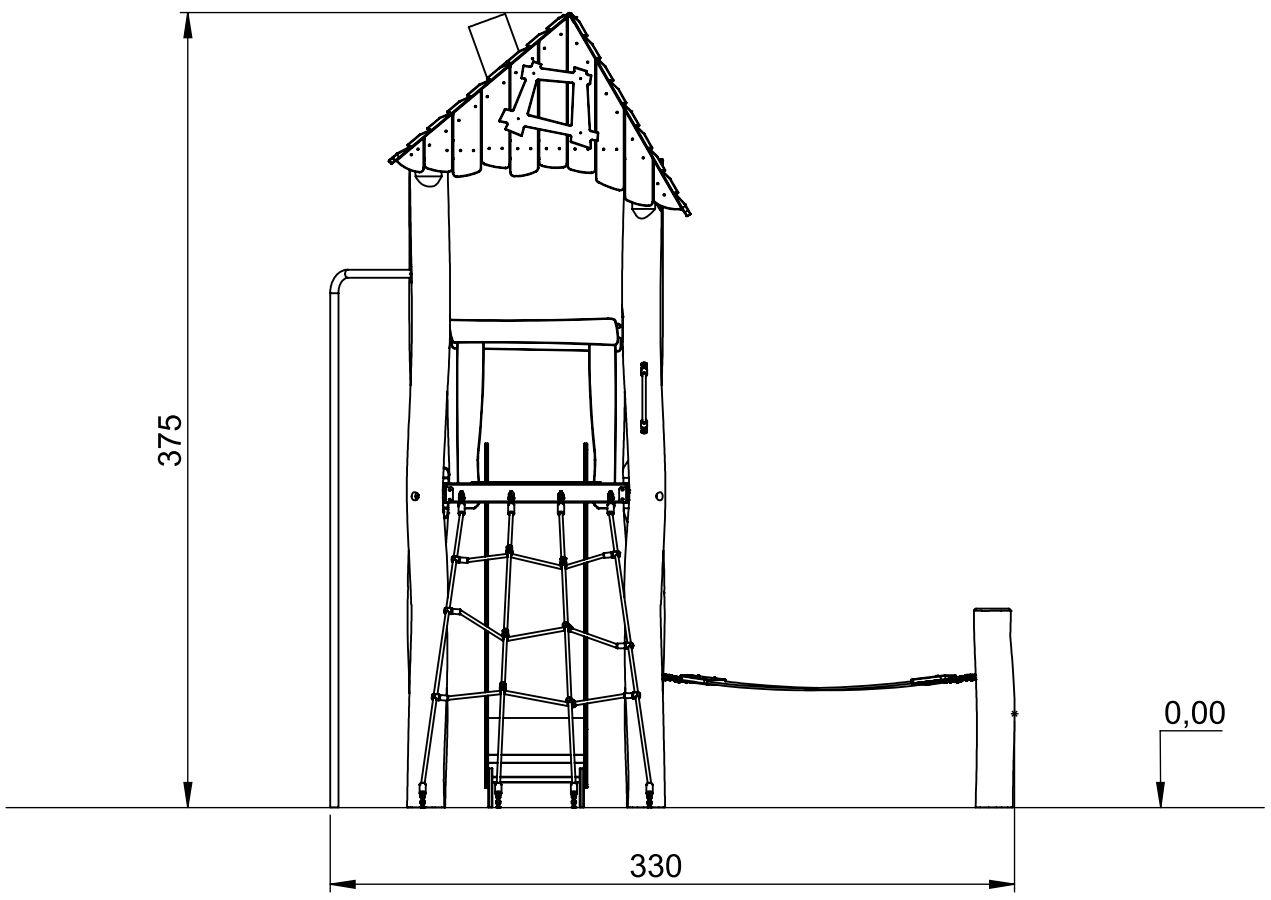
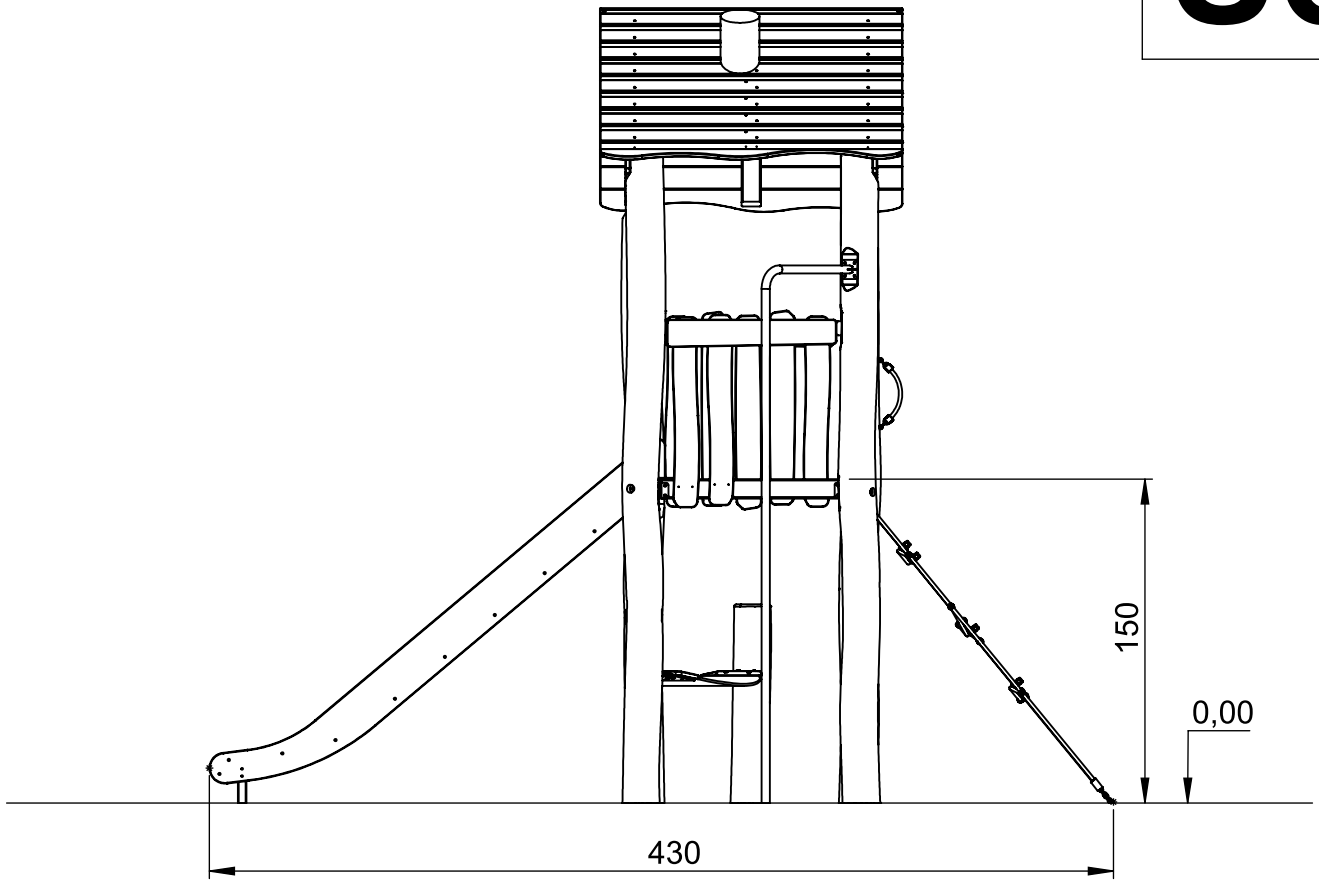
S6



[cm]

BENITO -Play

S6

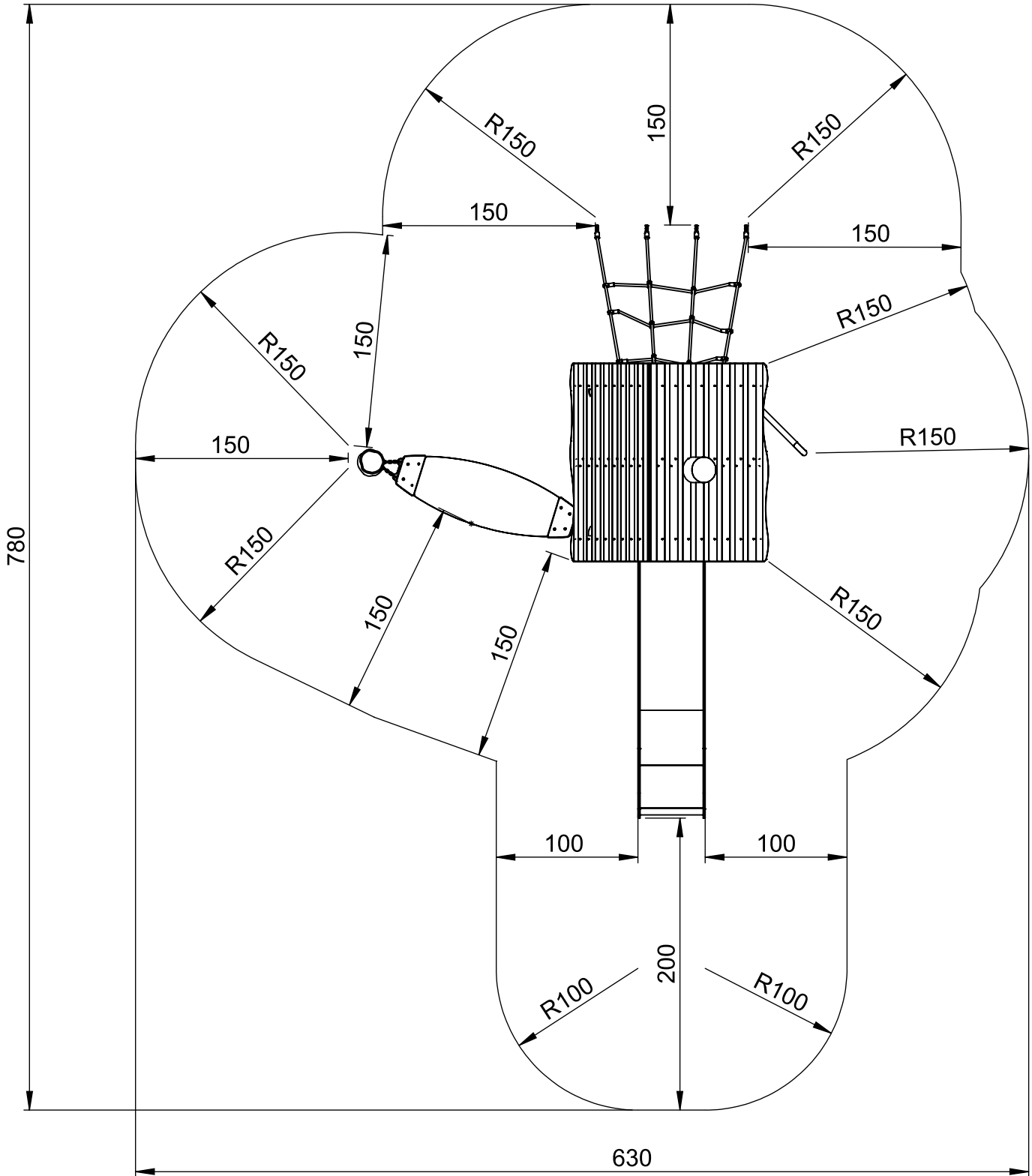


[cm]



BENITO -Play

S6

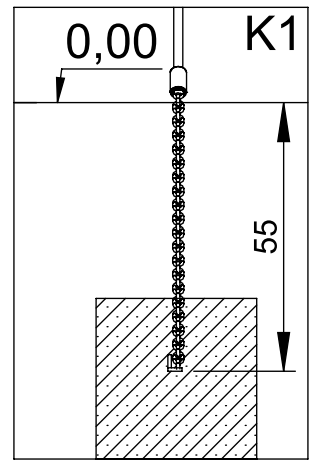
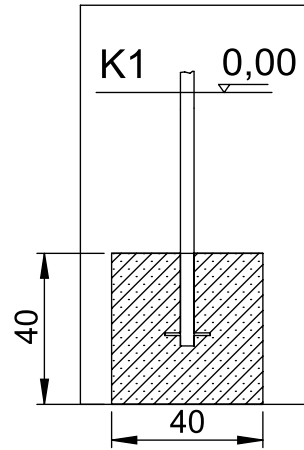
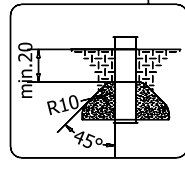
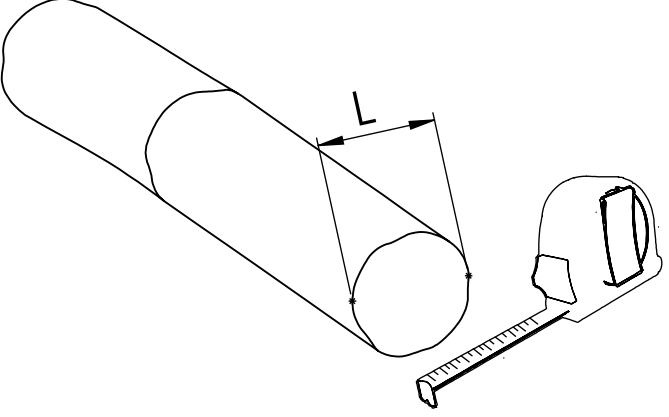
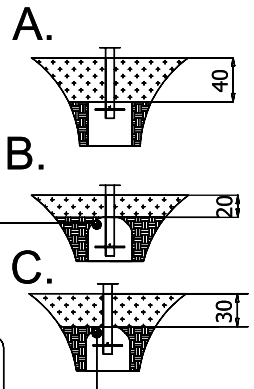
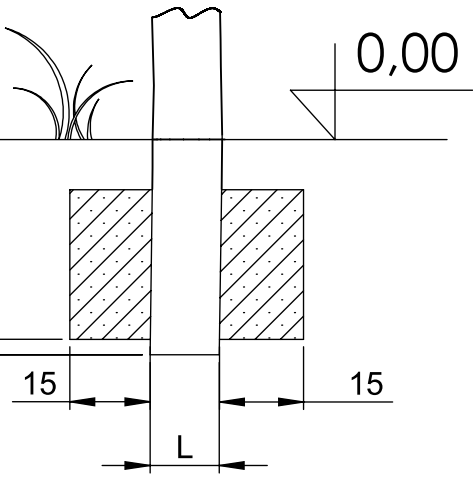


[cm]

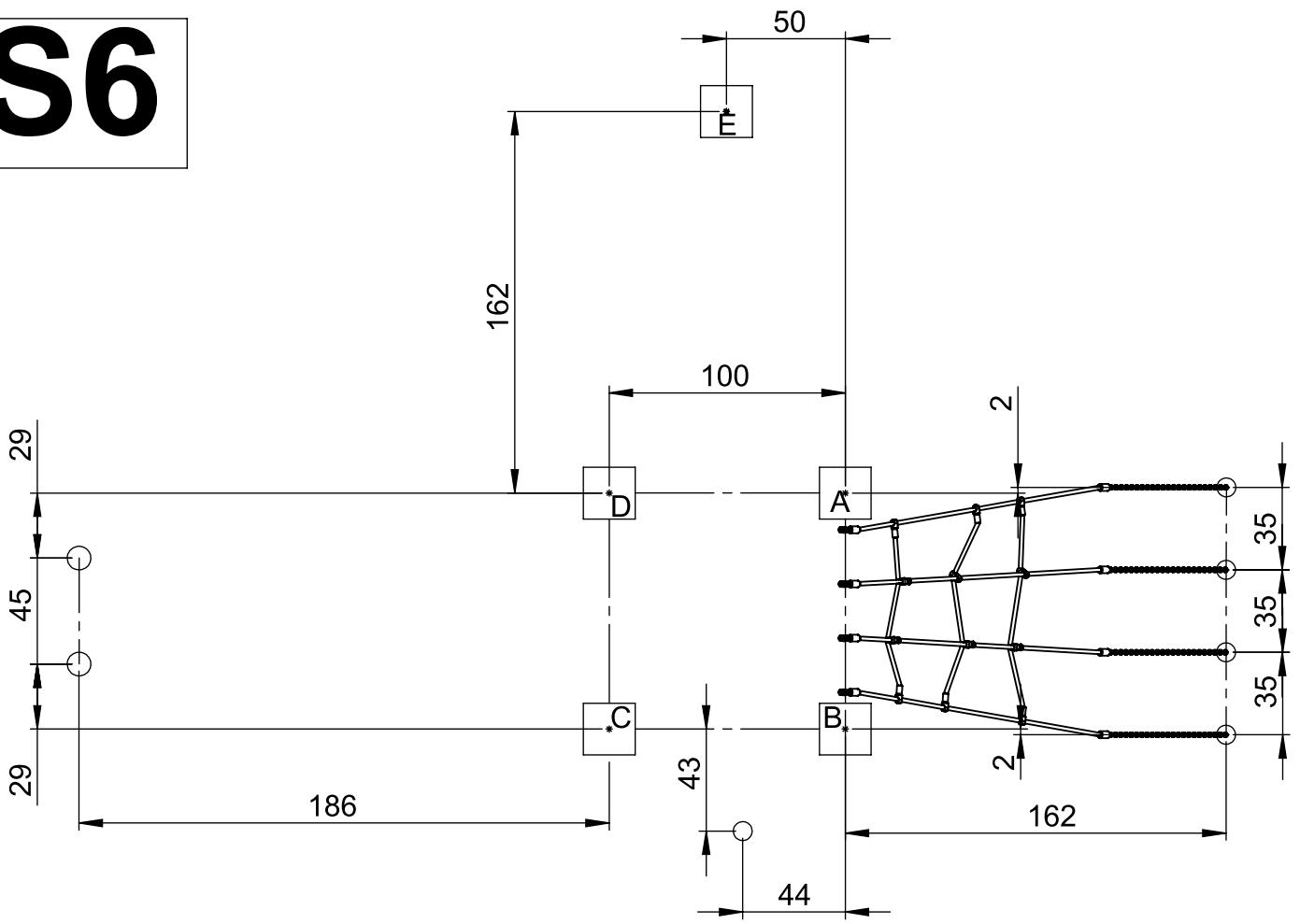


BENITO -Play

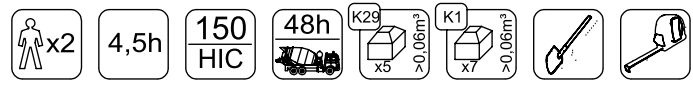
K29



S6



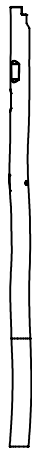
[cm]



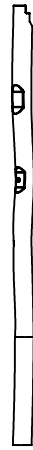
BENITO -Play



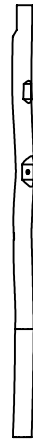
127289 (A)
x1



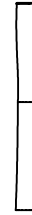
127290 (B)
x1



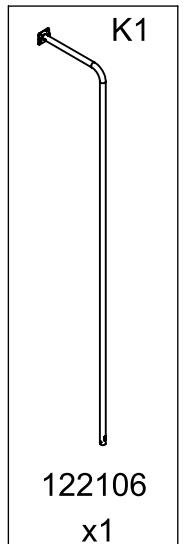
127291 (C)
x1



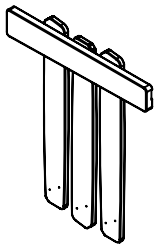
127292 (D)
x1



127293 (E)
x1



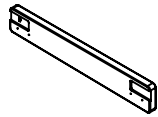
122106
x1



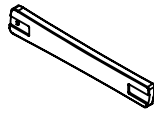
124104
x1



128181
x4



128107
x1



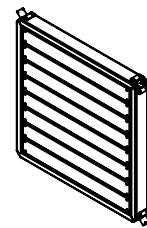
128168
x1



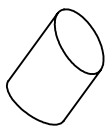
128103
x1



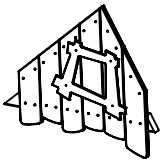
128178
x1



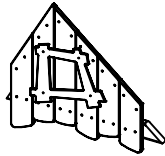
124100
x1



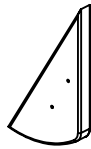
128172
x1



124135
x1



124132
x1



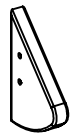
128229
128117
x1



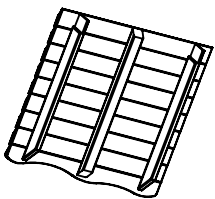
128230
128118
x1



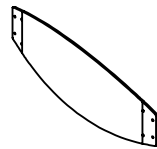
128237
128125
x1



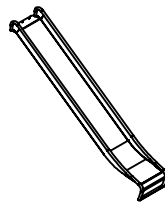
128238
128126
x1



124133
x2



126105
x1



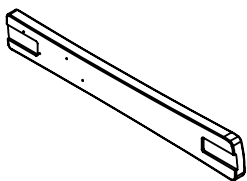
994170
x1



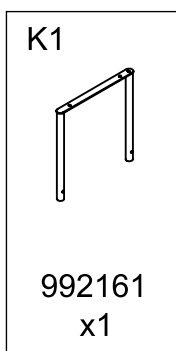
125108
x1



125119
x1

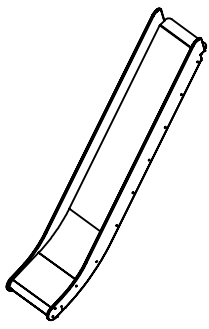


128197
x1



992161
x1

BENITO
-Play



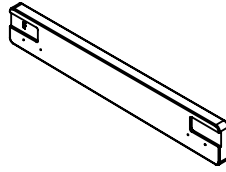
994164
x1



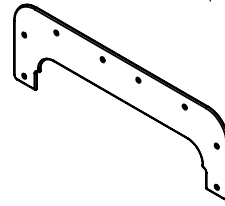
128255
x1



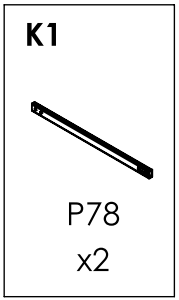
128256
x1



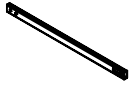
128254
x1



121170
x1



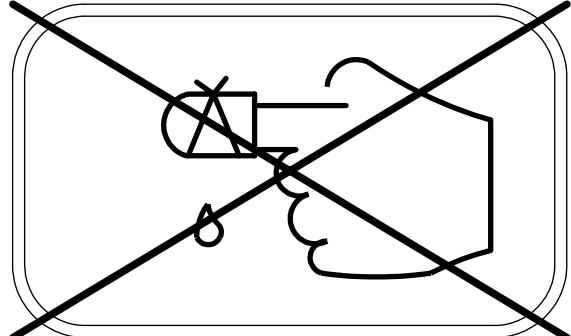
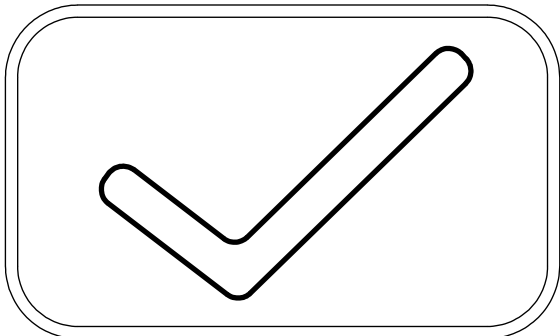
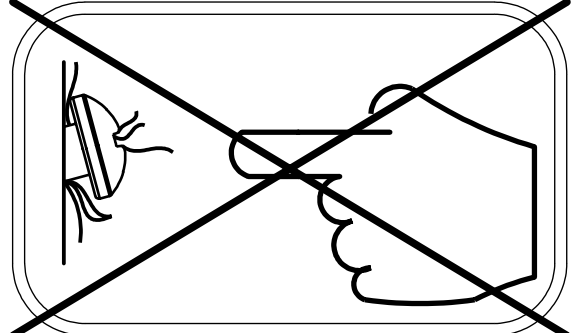
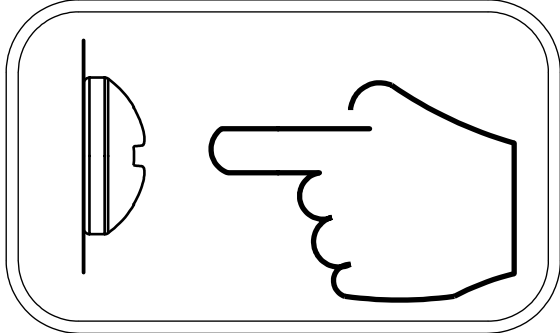
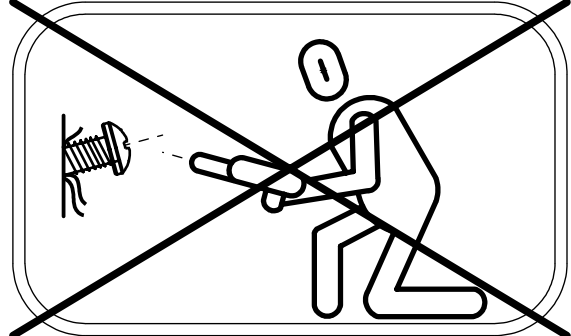
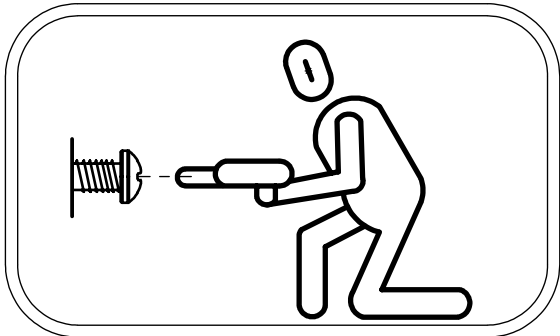
K1

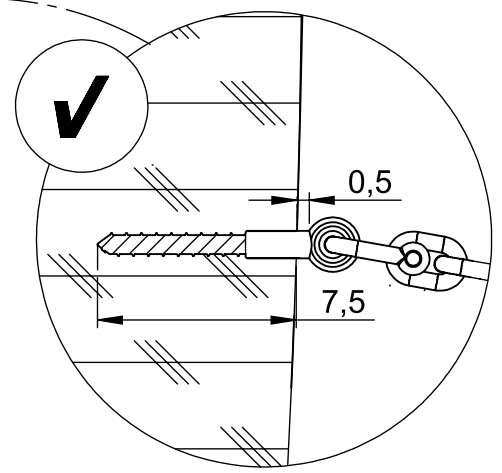
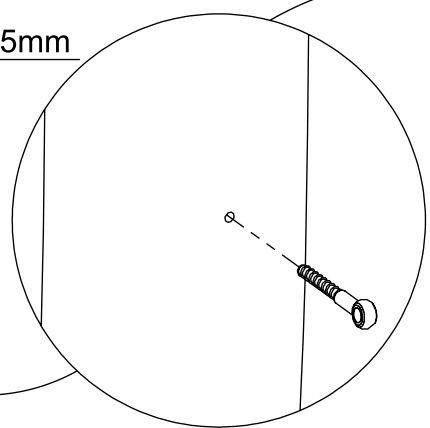
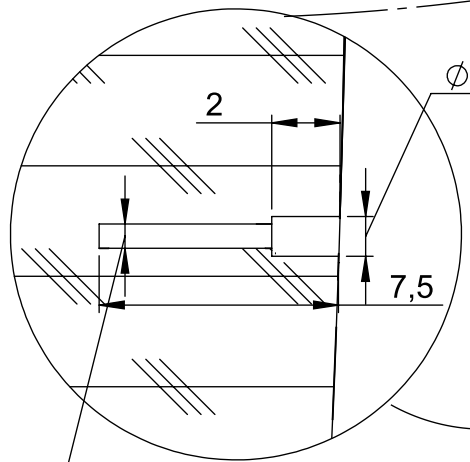
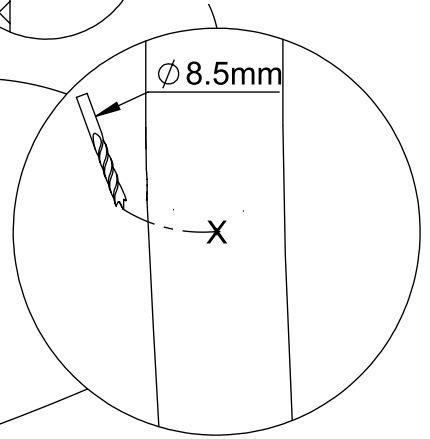
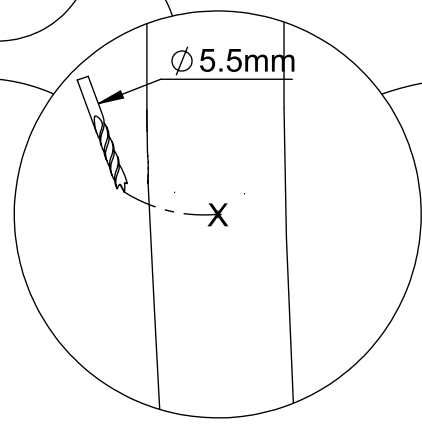
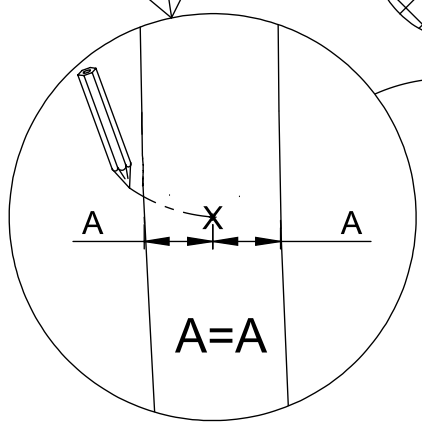
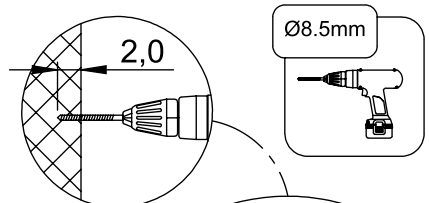
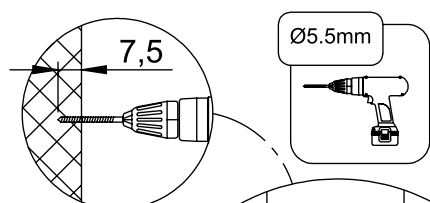
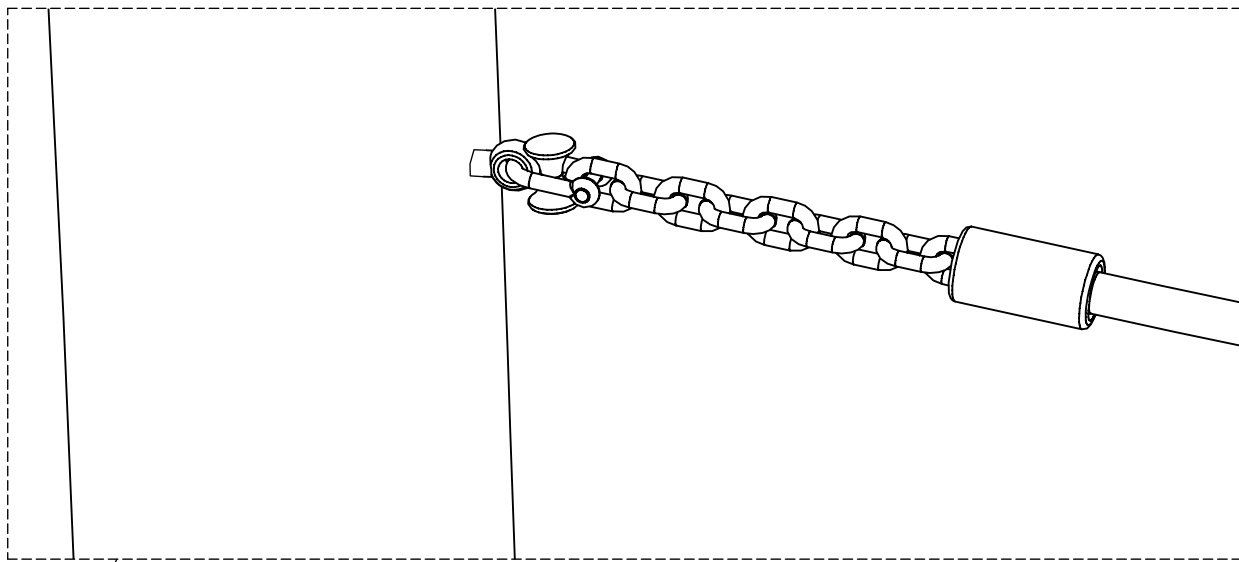


P78
x2

24x	5x30sxs
72x	5x50sxs
7x	5x80sxs
6x	7x35sxi
12x	8x50sxi
4x	8x80sxt

1x	12e004
5x	12e007
1x	12e024
1x	12e030 _{s6}
4x	12e052
1x	12e086
1x	12e089 _{s6}
1x	12e108 _{s6}
1x	12e132
4x	b390
2x	b456
2x	121119
1x	GL
1x	V001



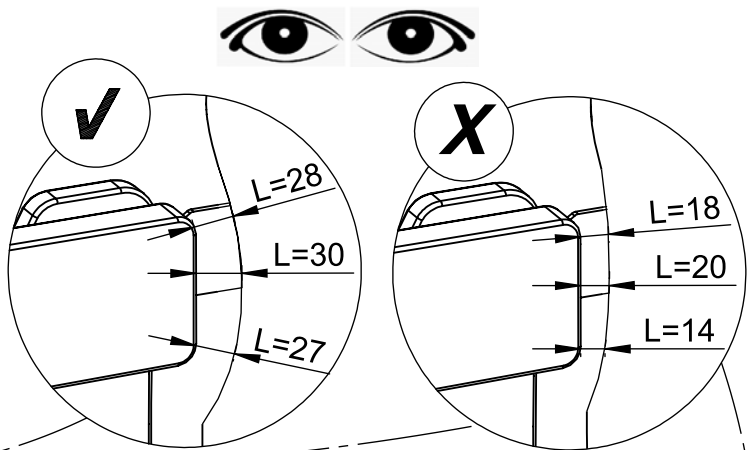
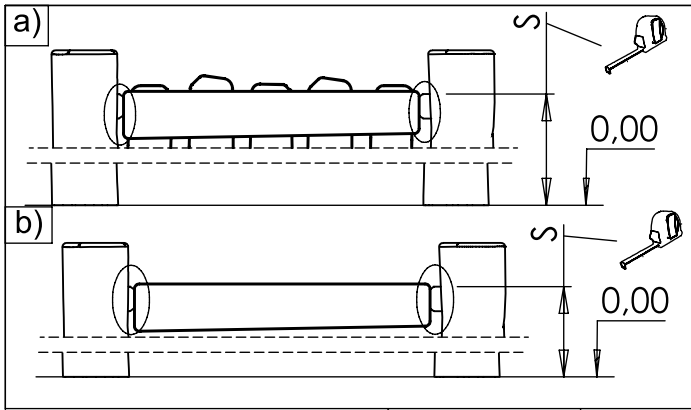


Ø 5.5 mm

Ø 8.5mm

**BENITO
-Play**

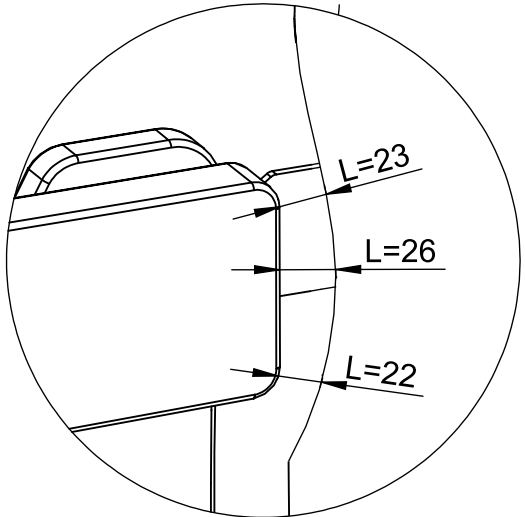
[cm]



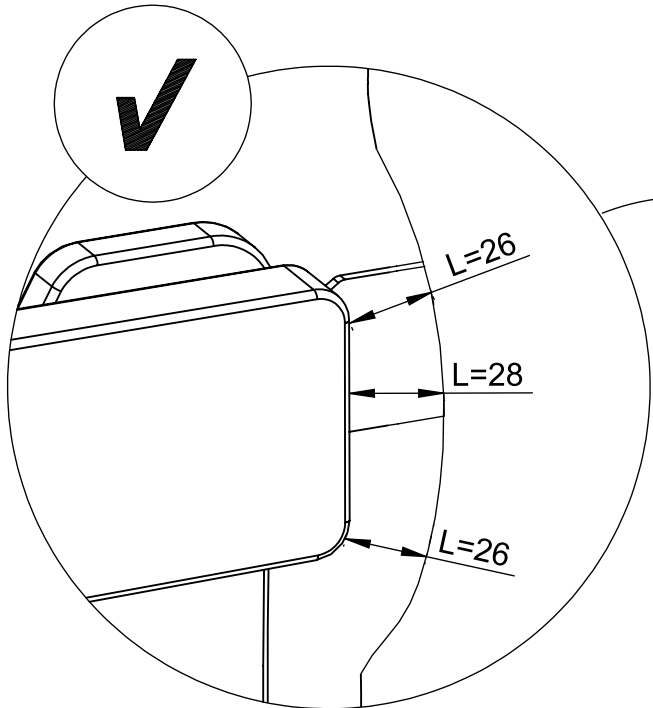
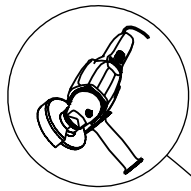
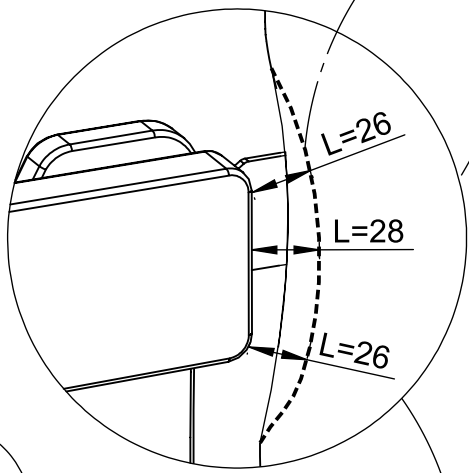
S < 97

S > 97

L > 25mm	✓	L ≤ 25mm	X
----------	---	----------	---



L > 25mm	✓
L ≤ 25mm	✓

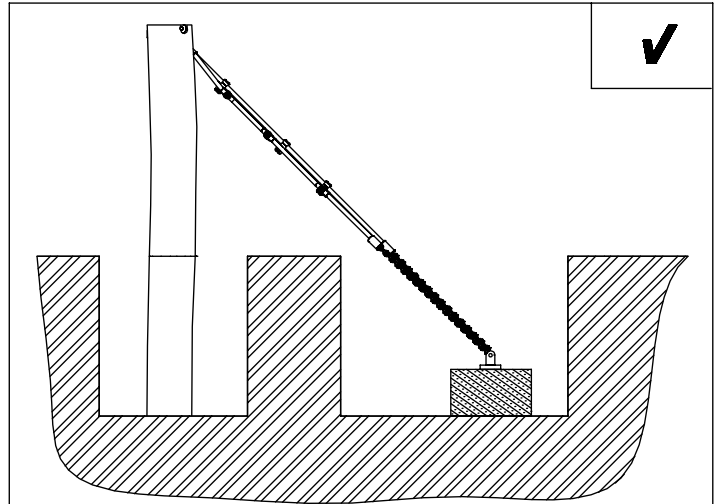
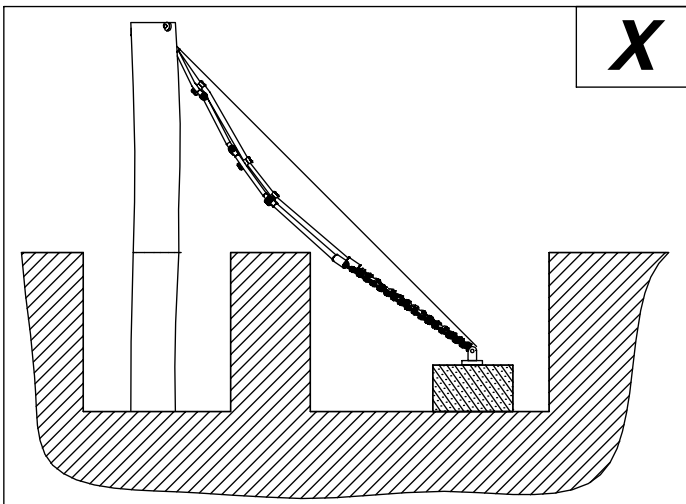
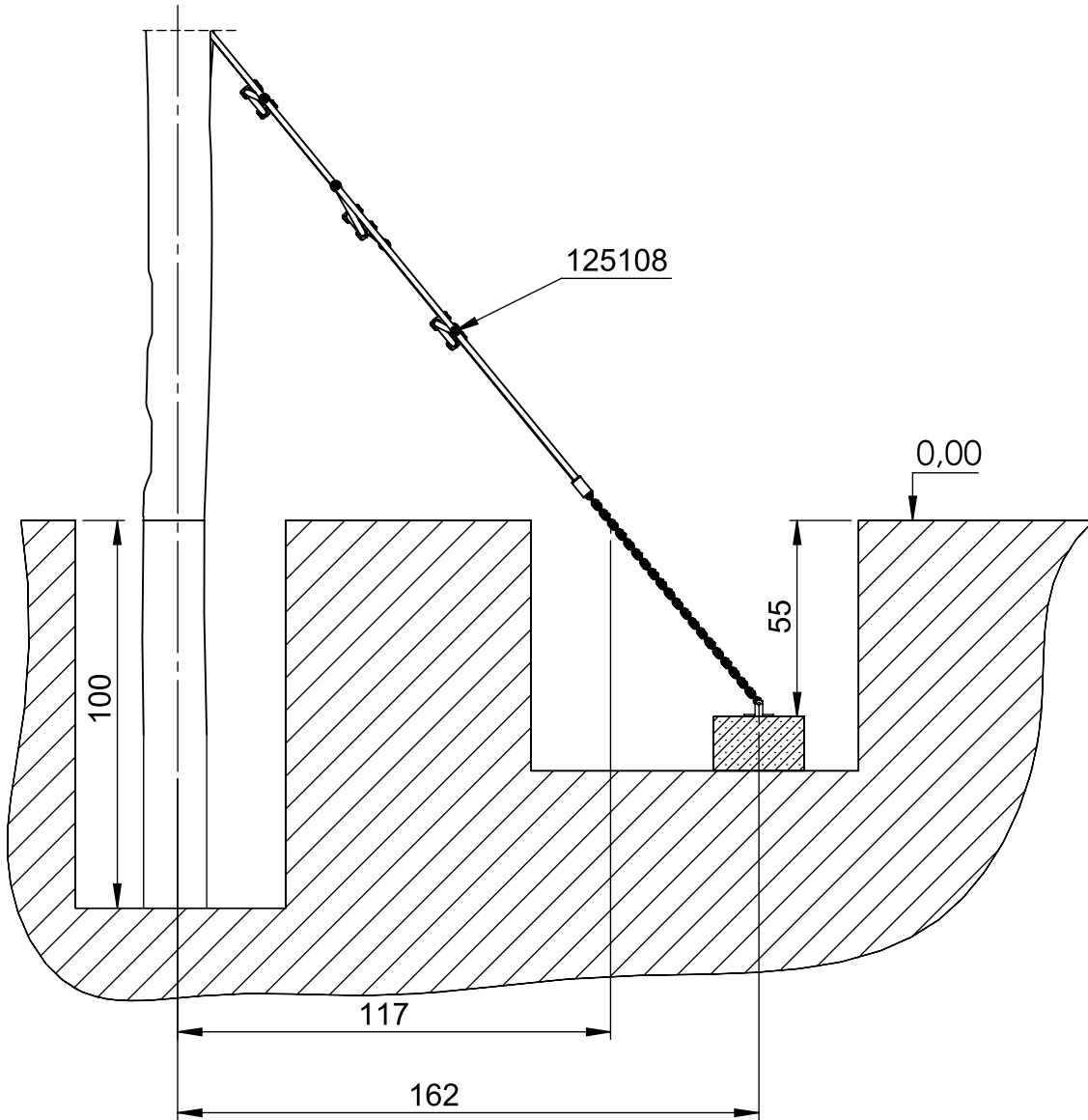


L > 25mm	✓
----------	---



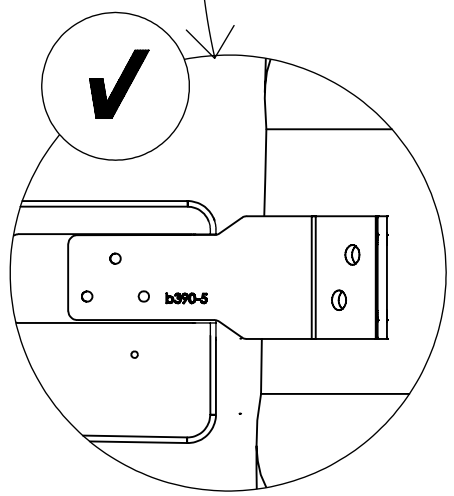
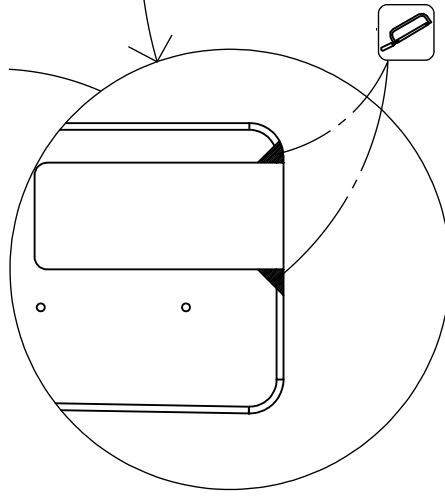
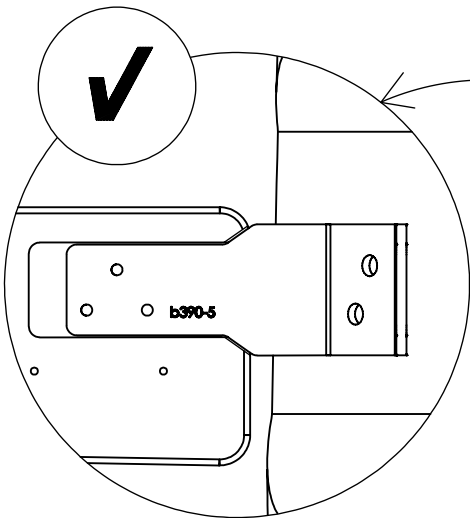
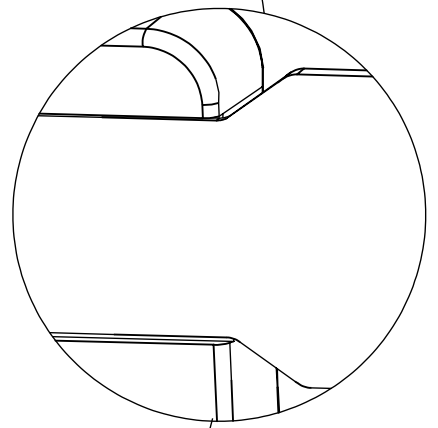
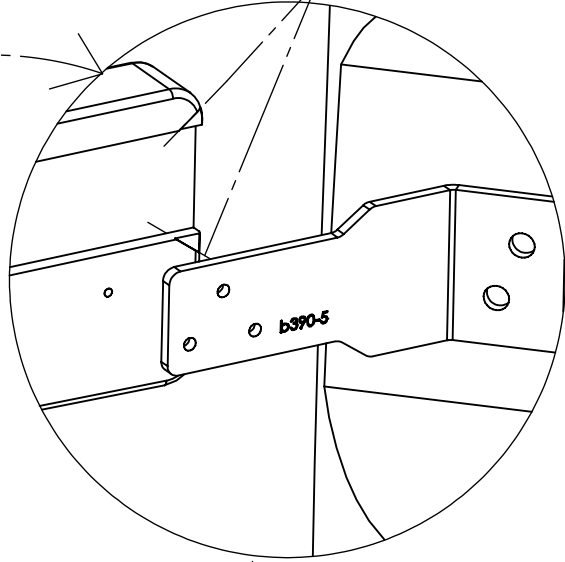
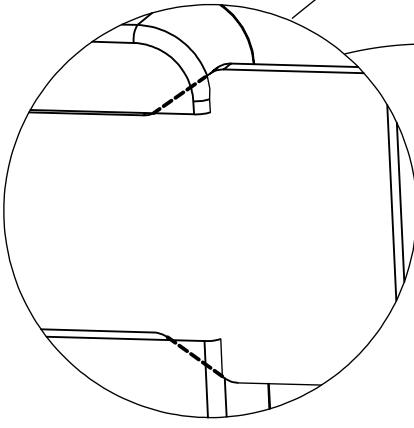
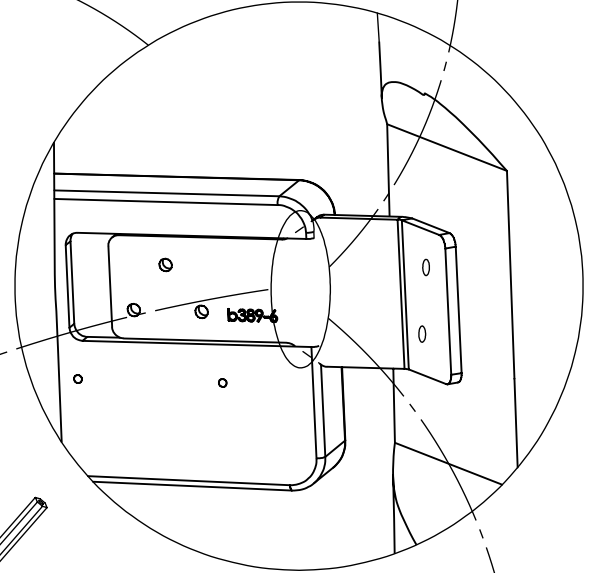
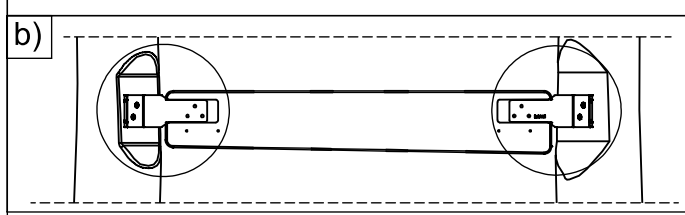
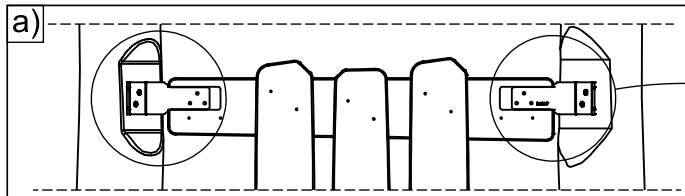
BENITO
-Play

[cm]



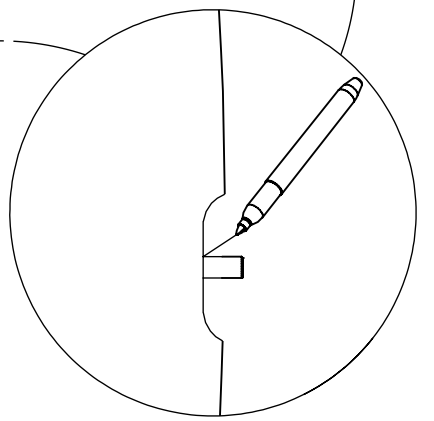
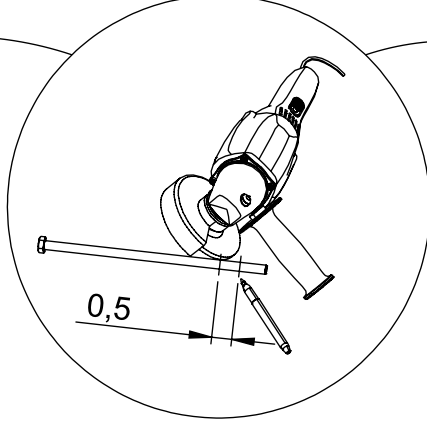
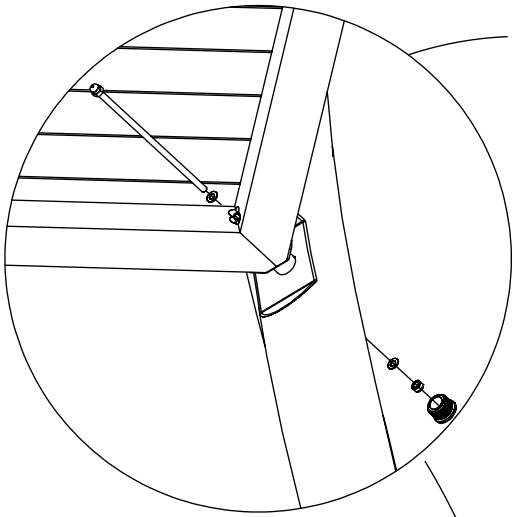
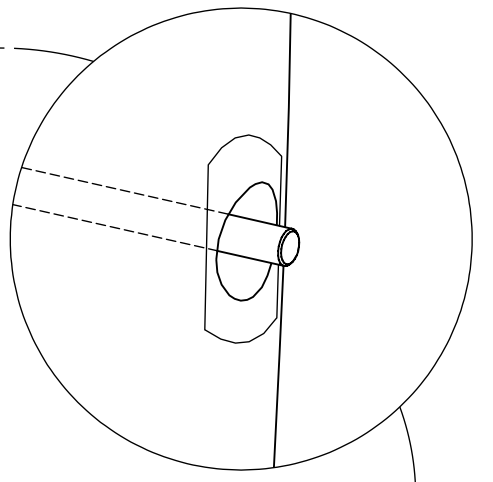
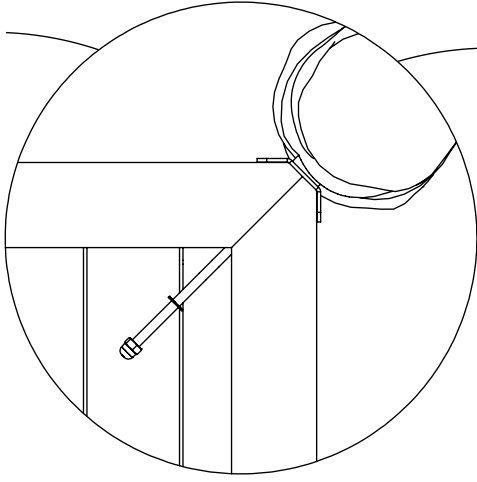
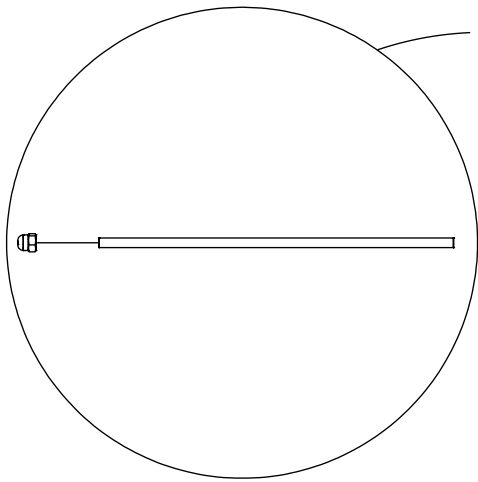
[cm]

BENITO
-Play

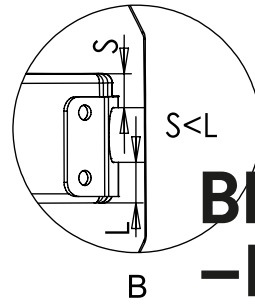
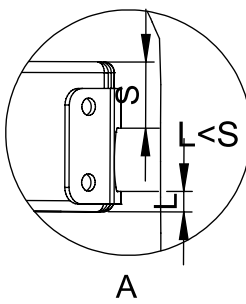
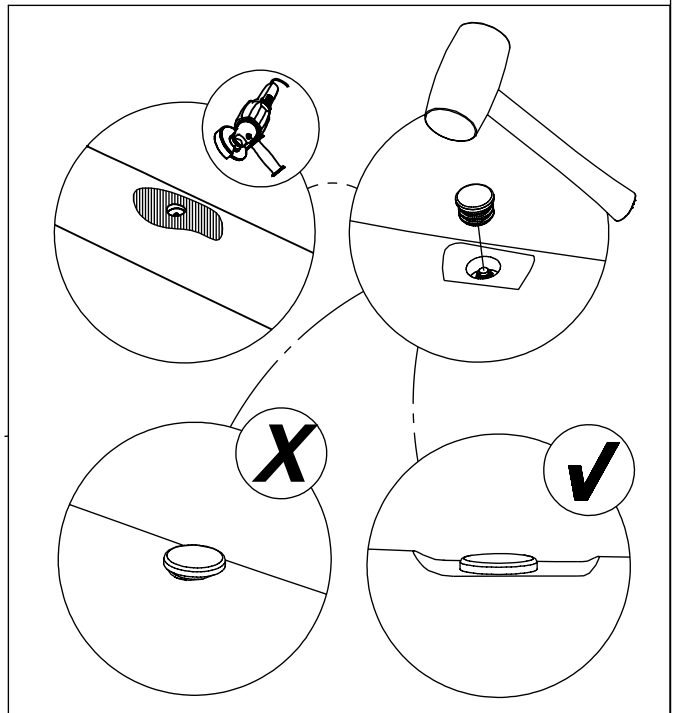
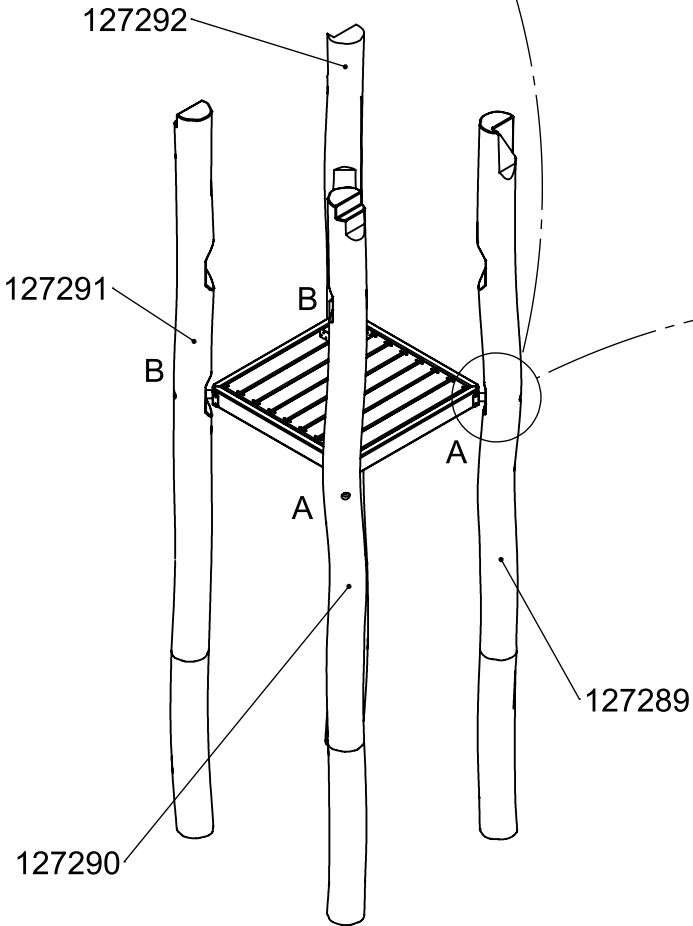


[cm]

BENITO
-Play

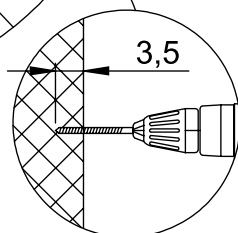
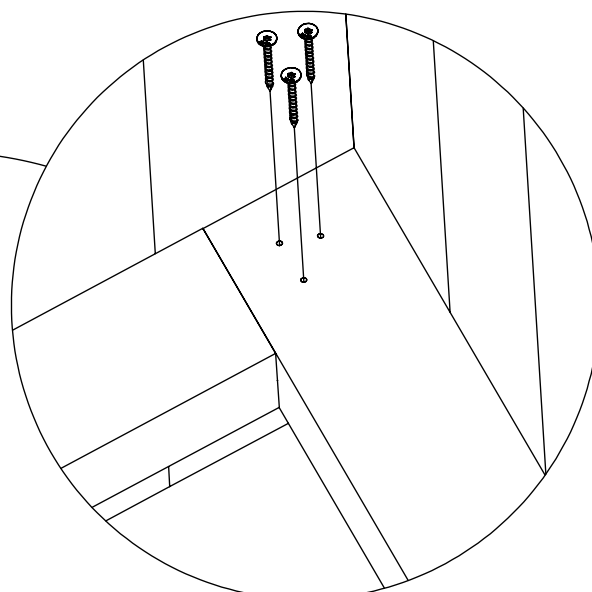
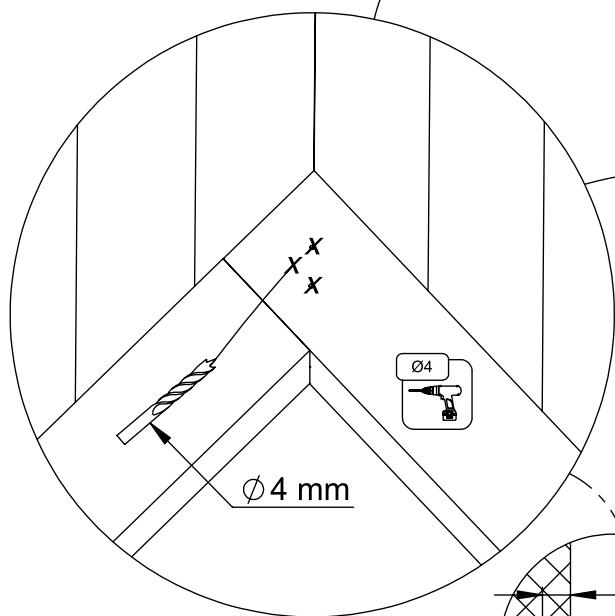
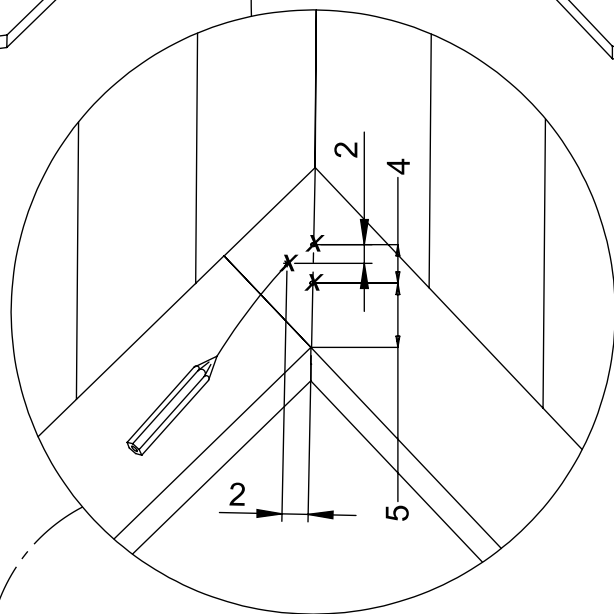
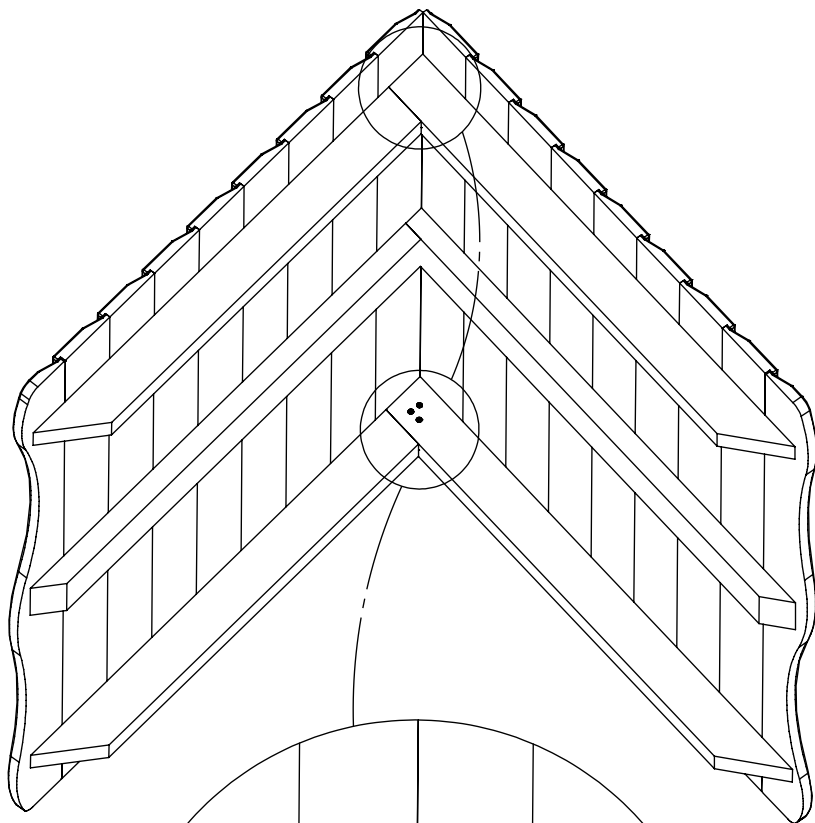


1x 12e004



BENITO
-Play

[cm]

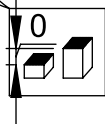
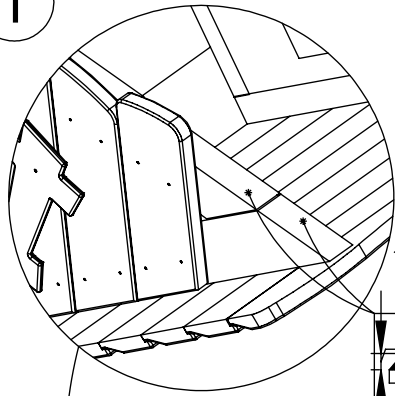


6x 7x35 sxi

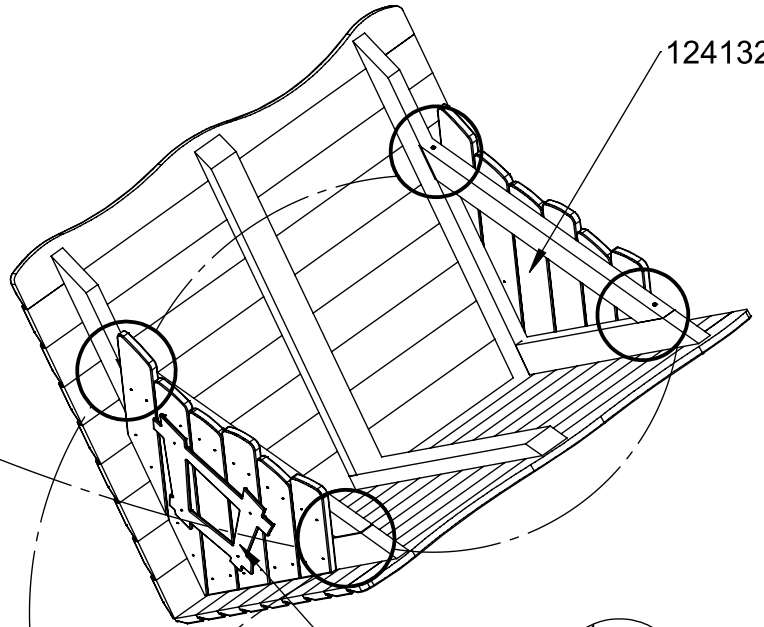
**BENITO
-Play**

[cm]

1

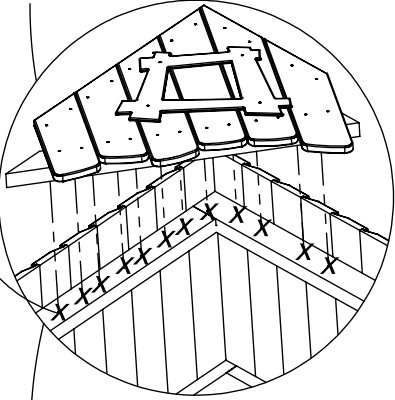
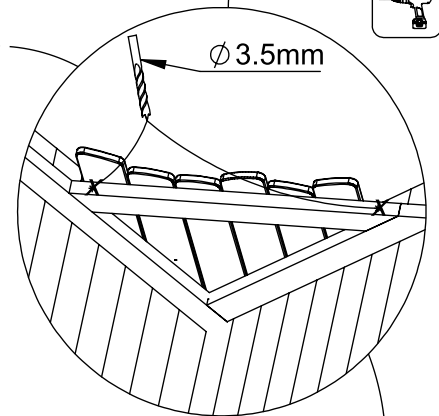
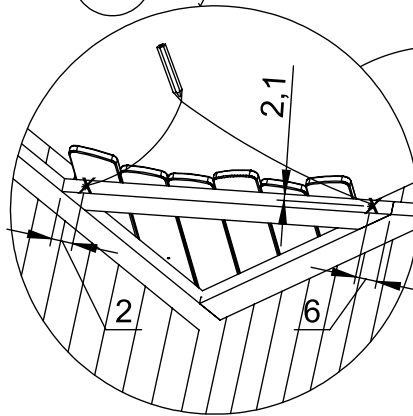
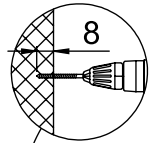


124132

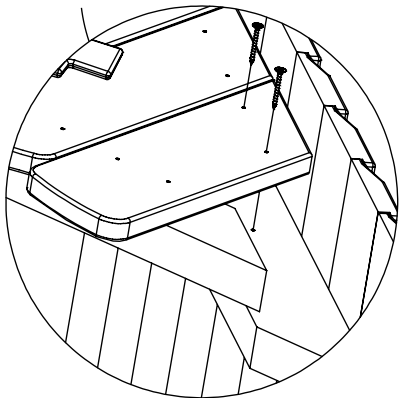
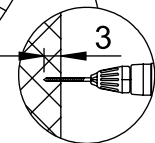
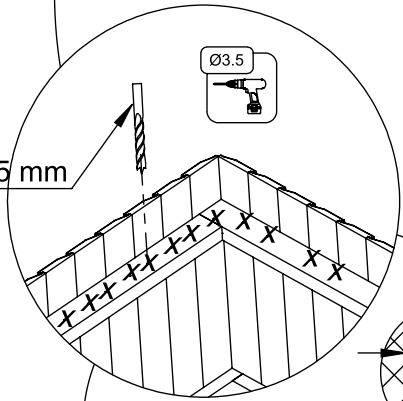


124135

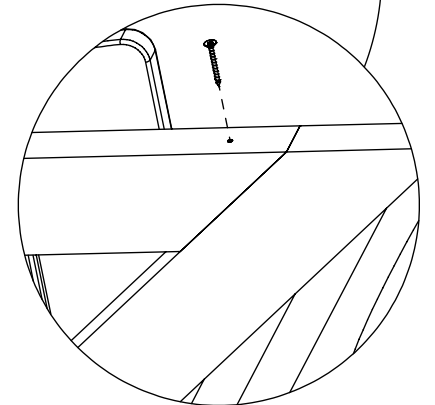
2



Ø 3.5 mm



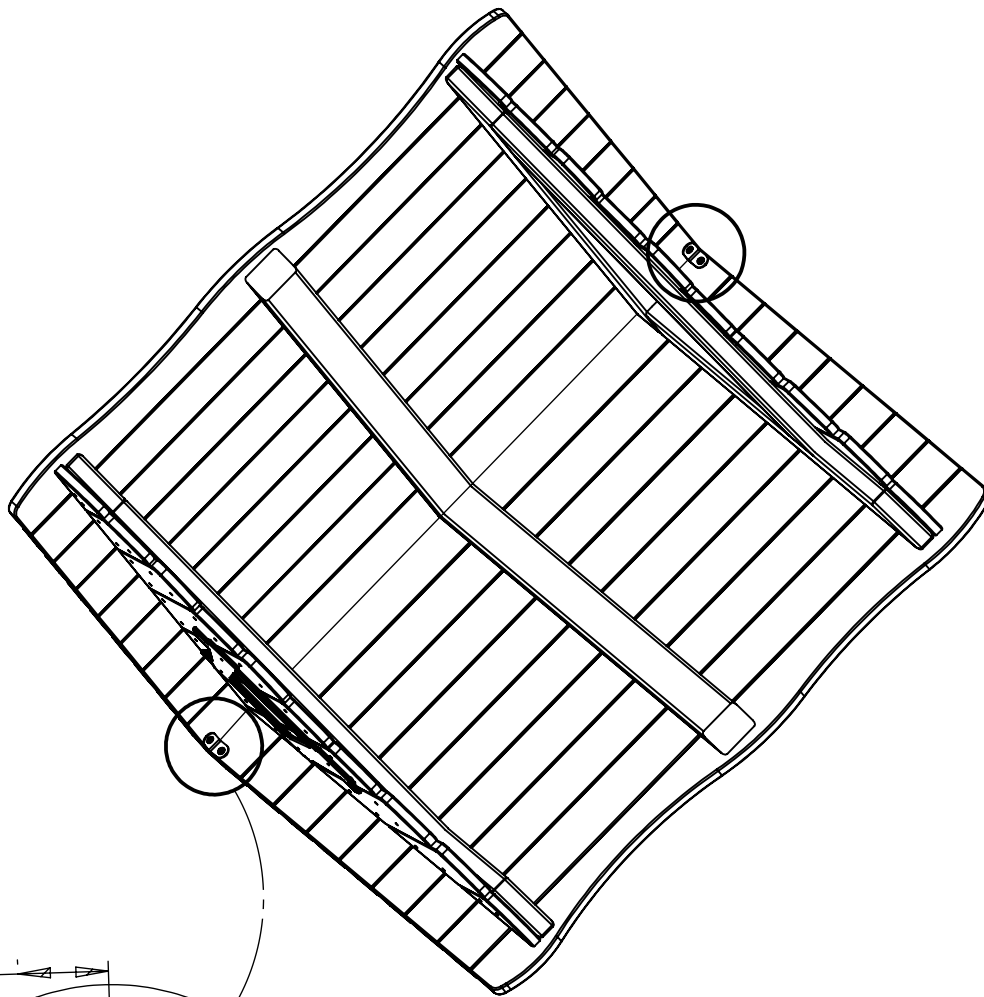
24x 5x50sxs



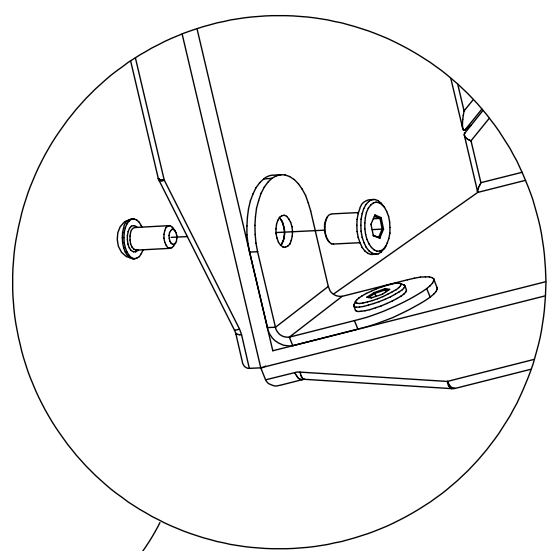
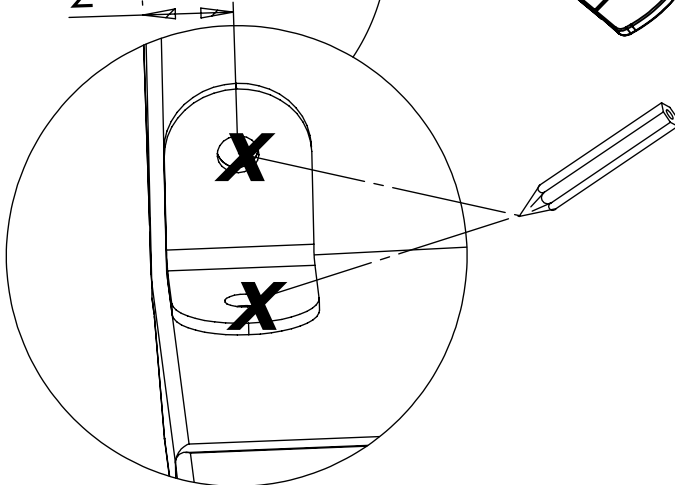
4x 5x80sxs

[cm]

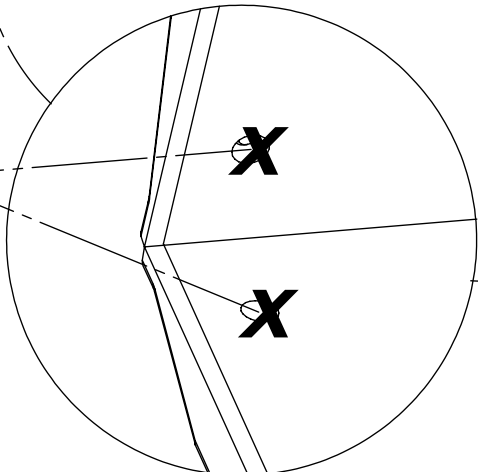
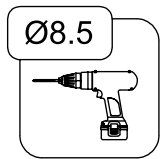
**BENITO
-Play**



2

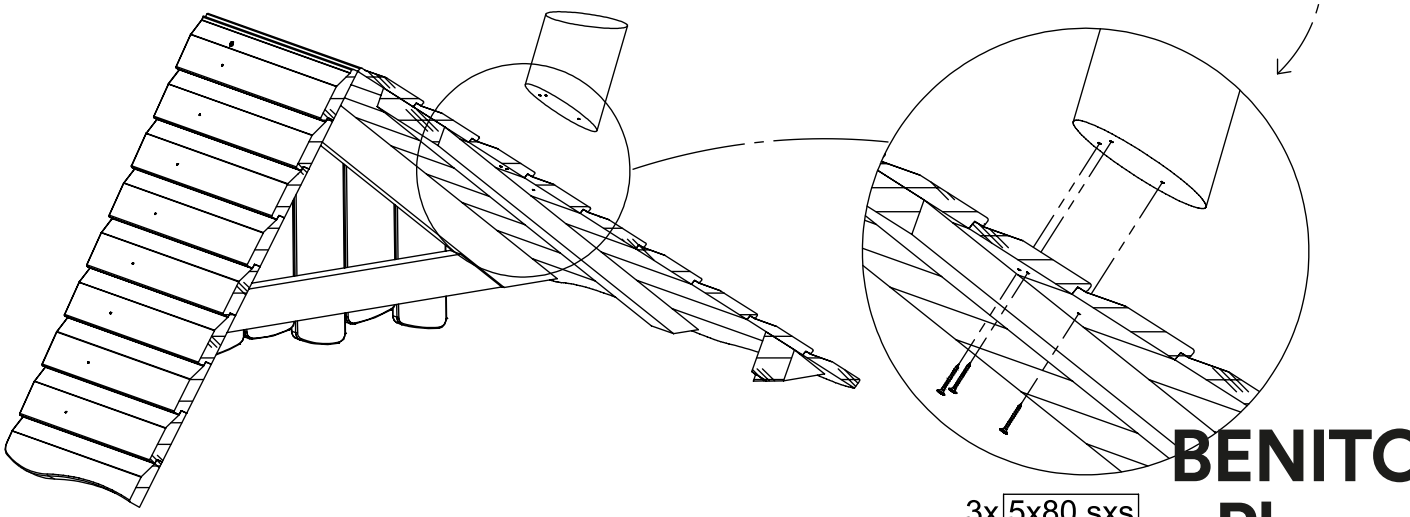
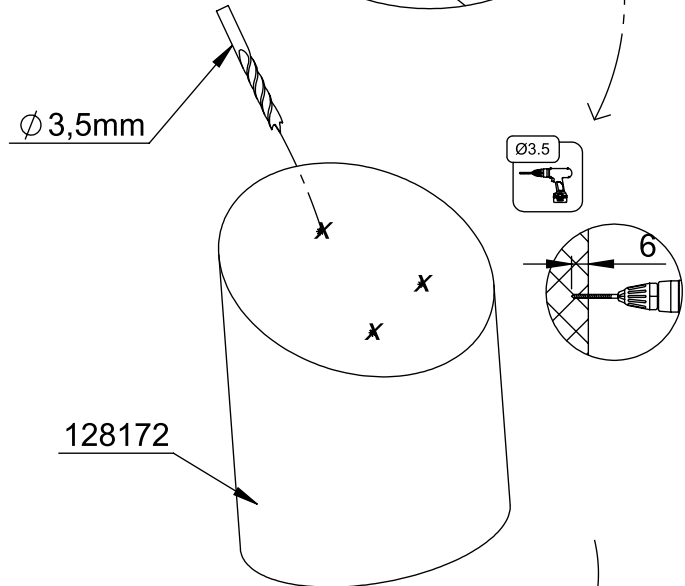
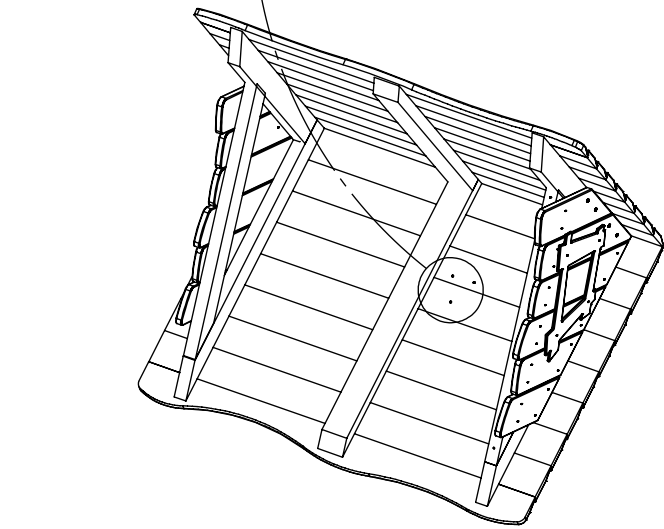
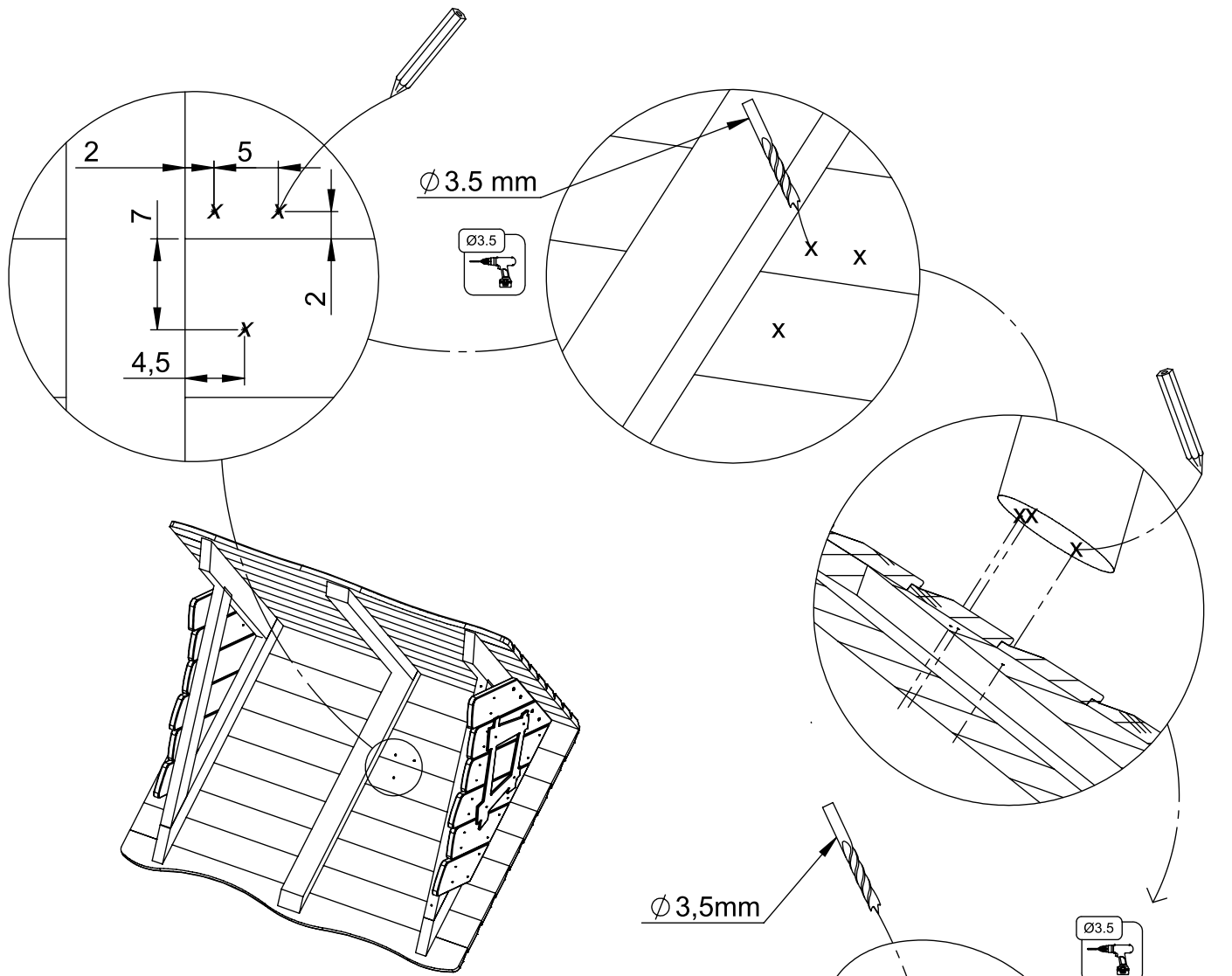


1x 12e132



[cm]

BENITO
-Play



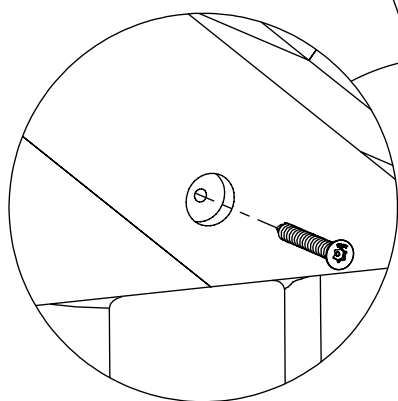
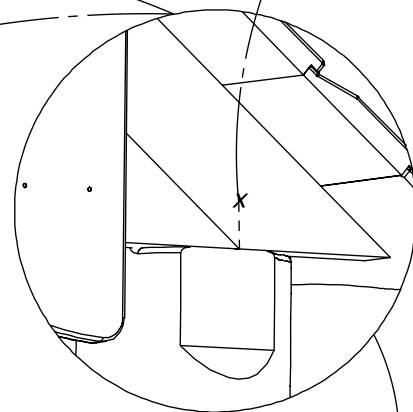
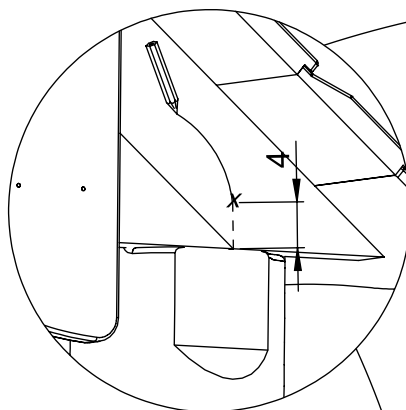
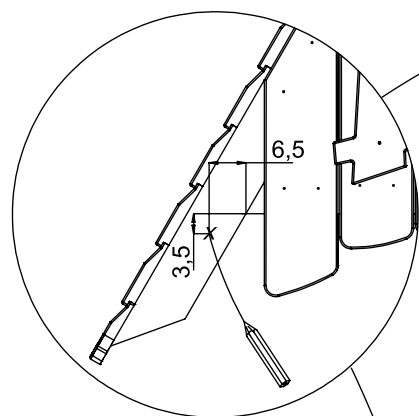
3x 5x80 sxs

**BENITO
-Play**

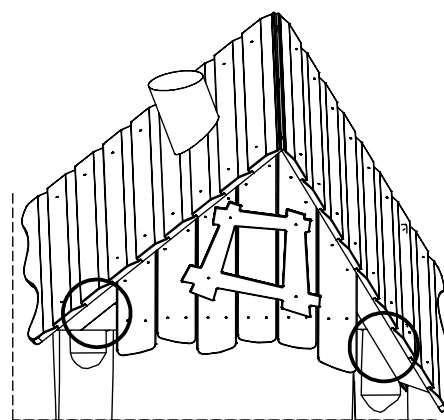
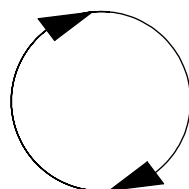
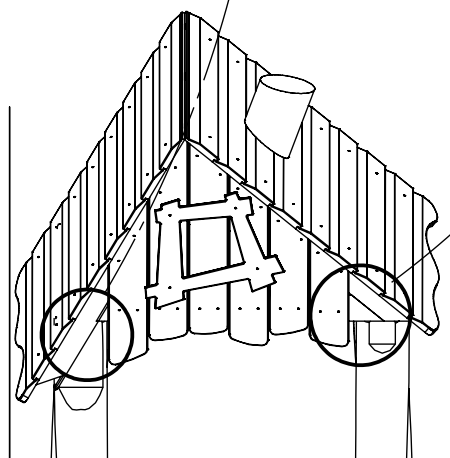
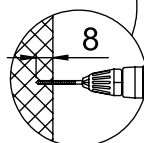
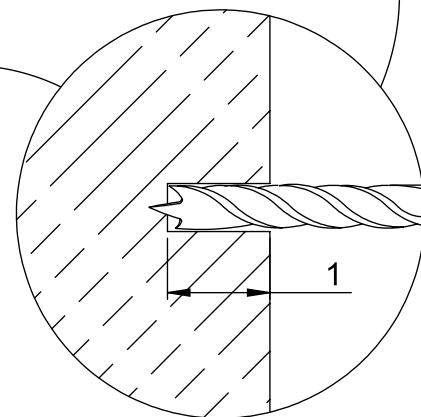
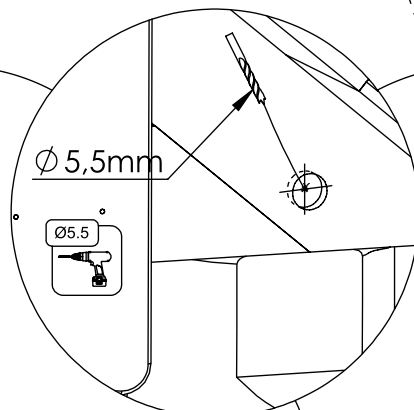
[cm]



Ø 24 mm

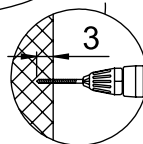
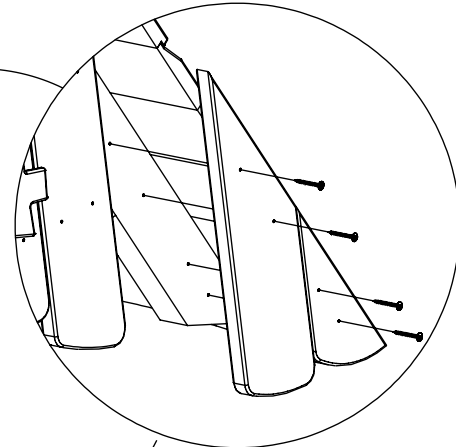
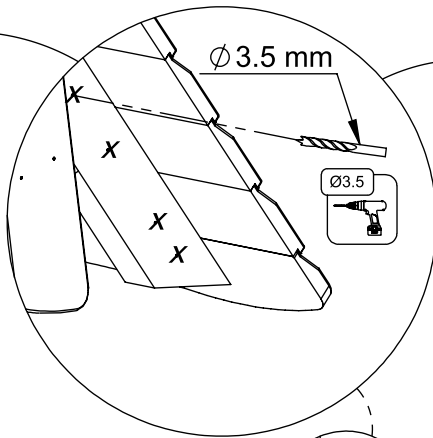
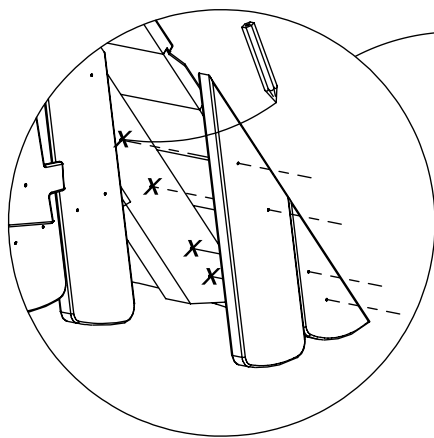


4x 8x80sxt

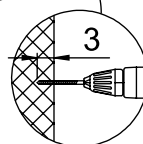
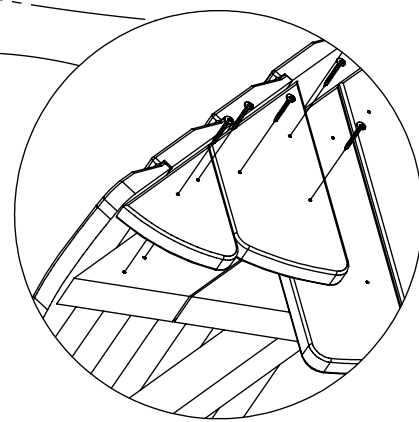
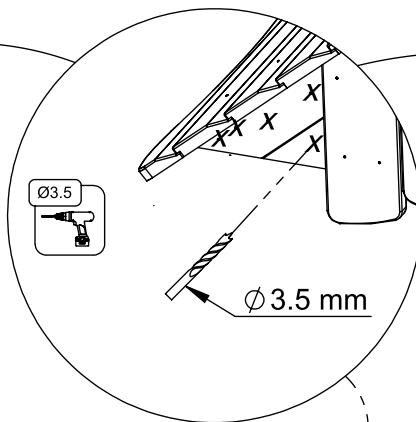
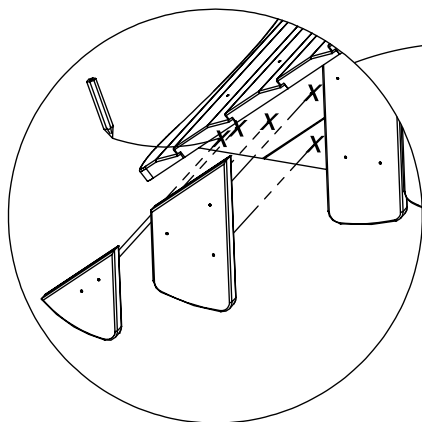
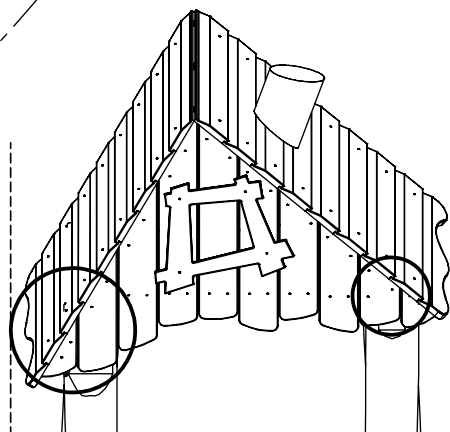
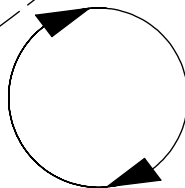
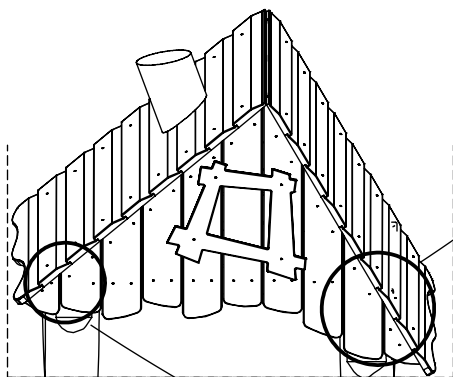


[cm]

**BENITO
-Play**



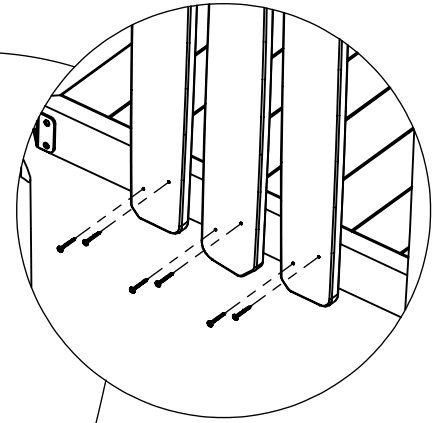
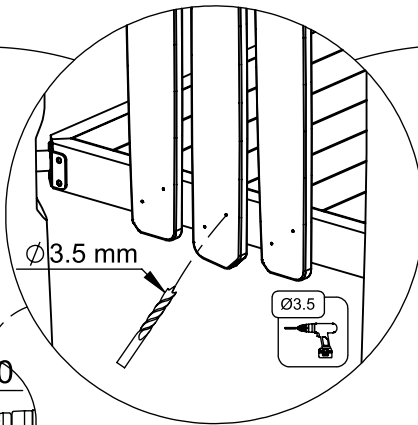
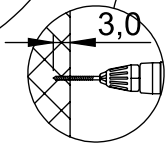
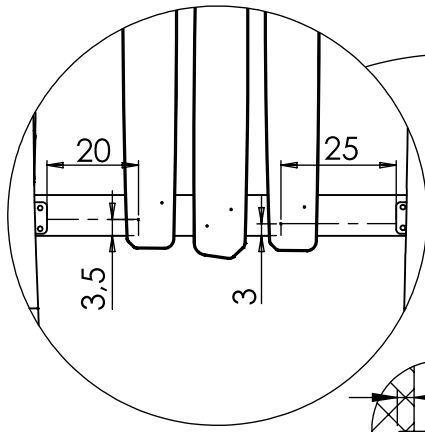
8x 5x50sxs



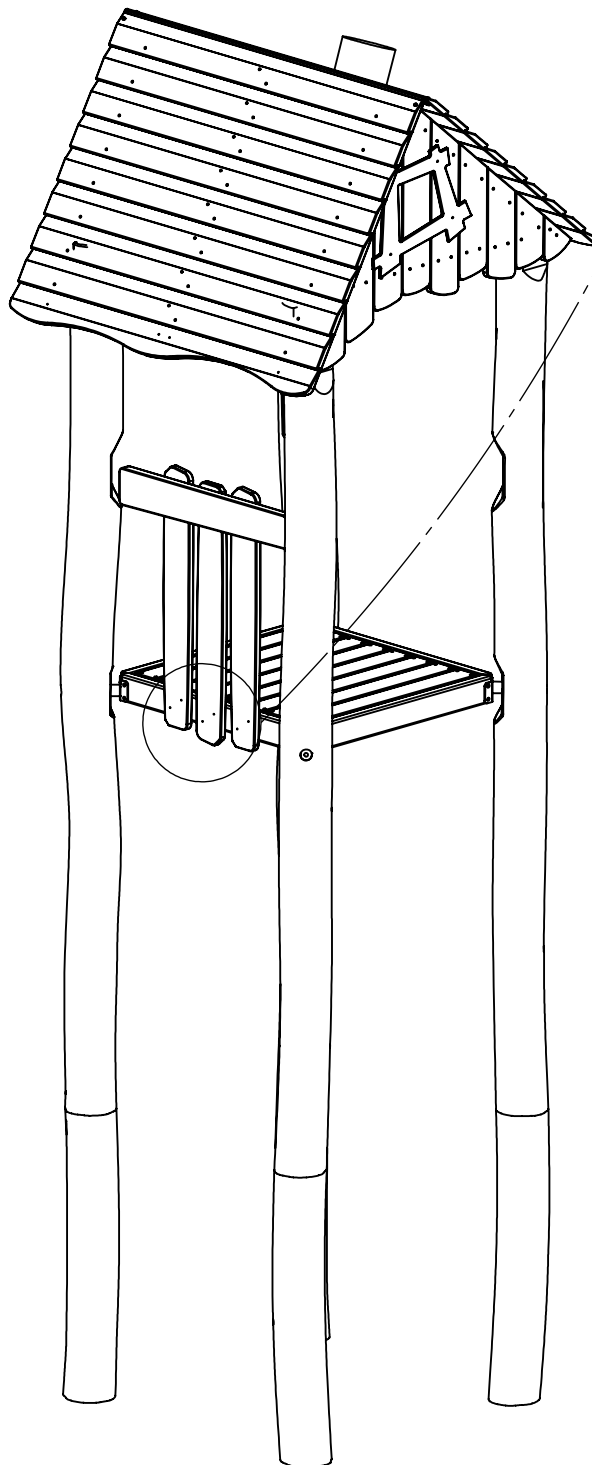
10x 5x50sxs

[cm]

**BENITO
-Play**

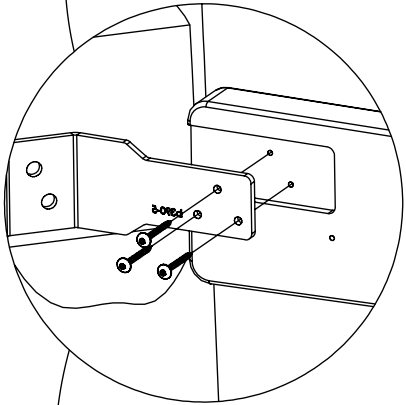
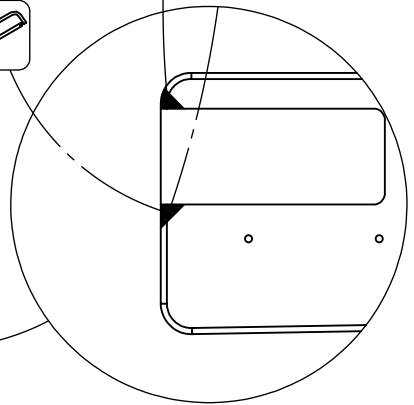
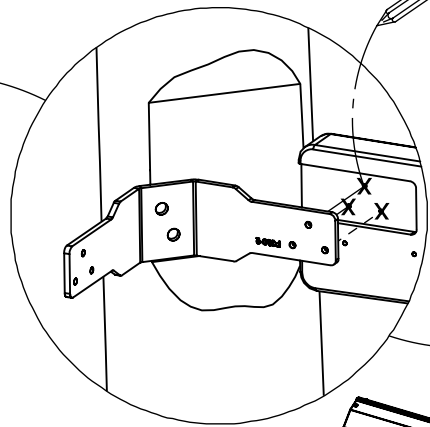
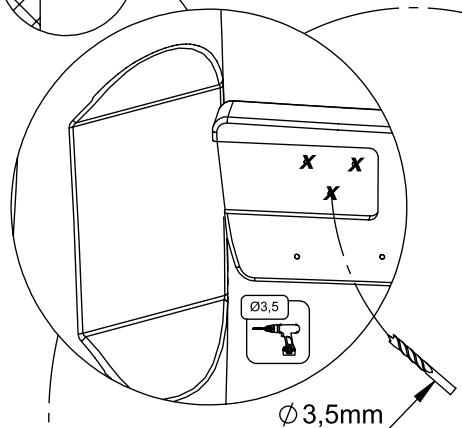
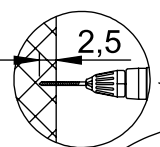
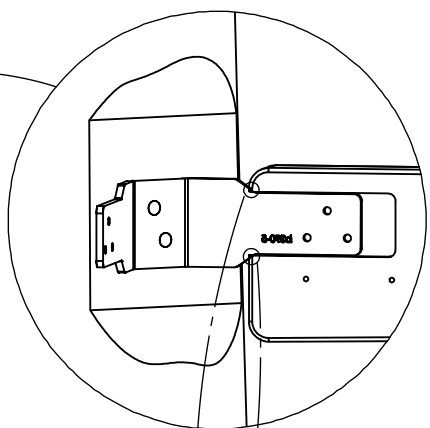
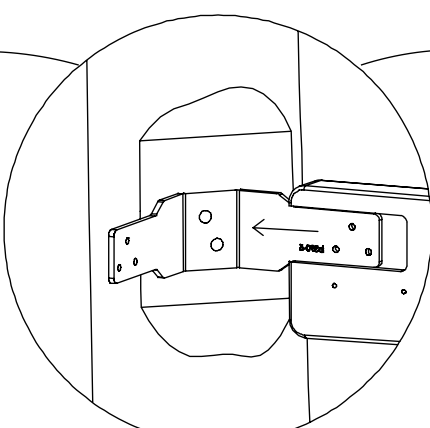
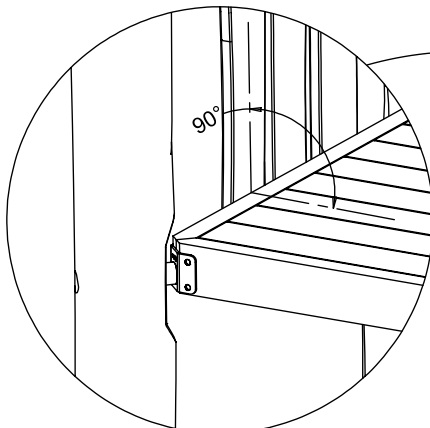


6x 5x50sxs

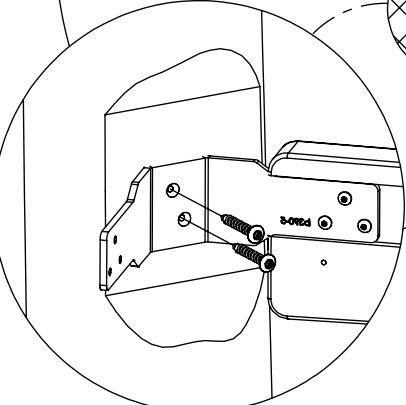
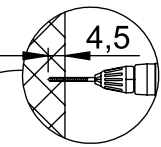


[cm]

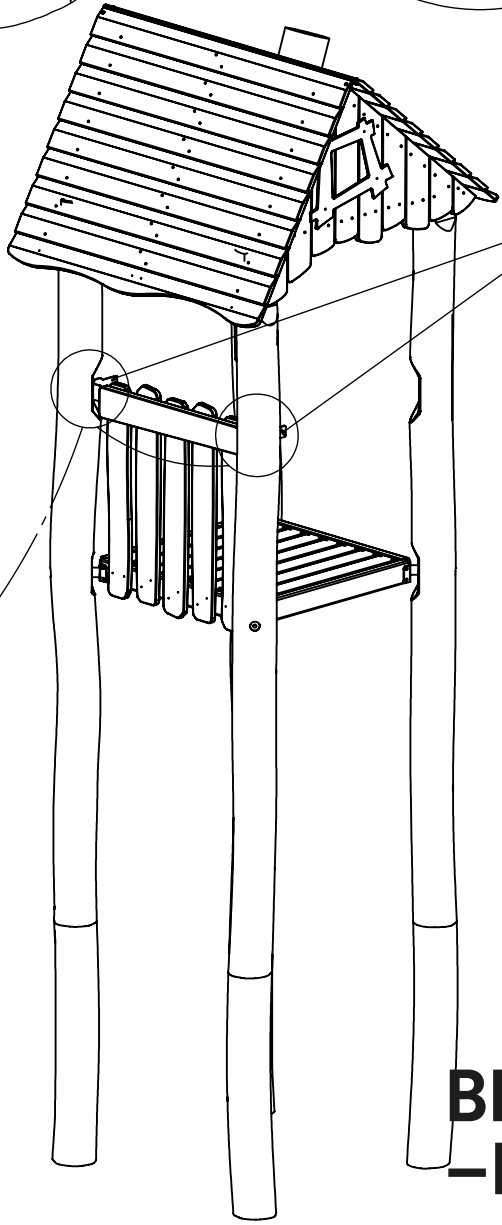
**BENITO
-Play**



6x 5x30sxs



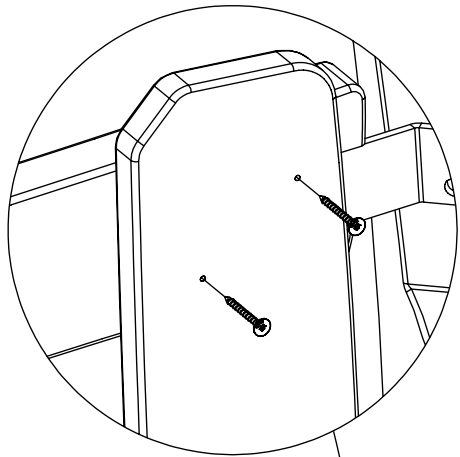
4x 8x50sxi



b390

BENITO
-Play

[cm]

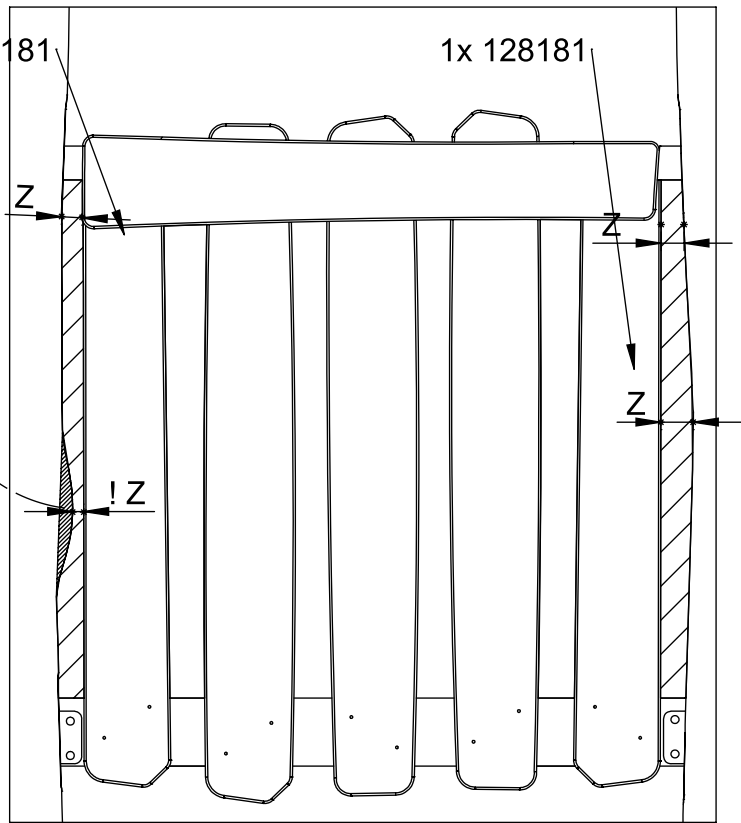


4x 5x50sxs

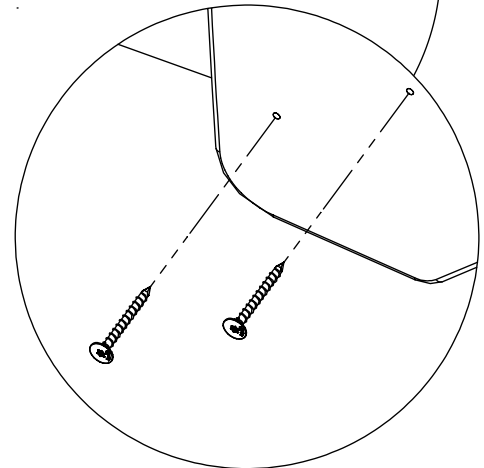
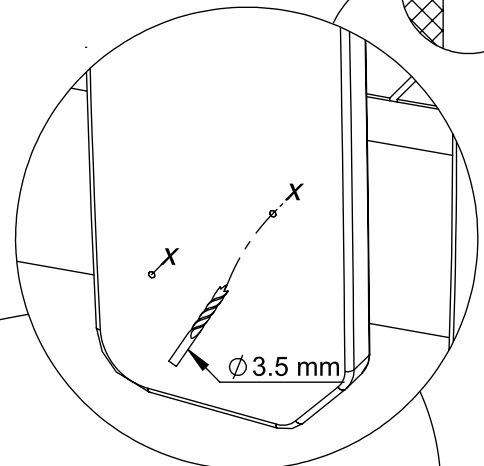
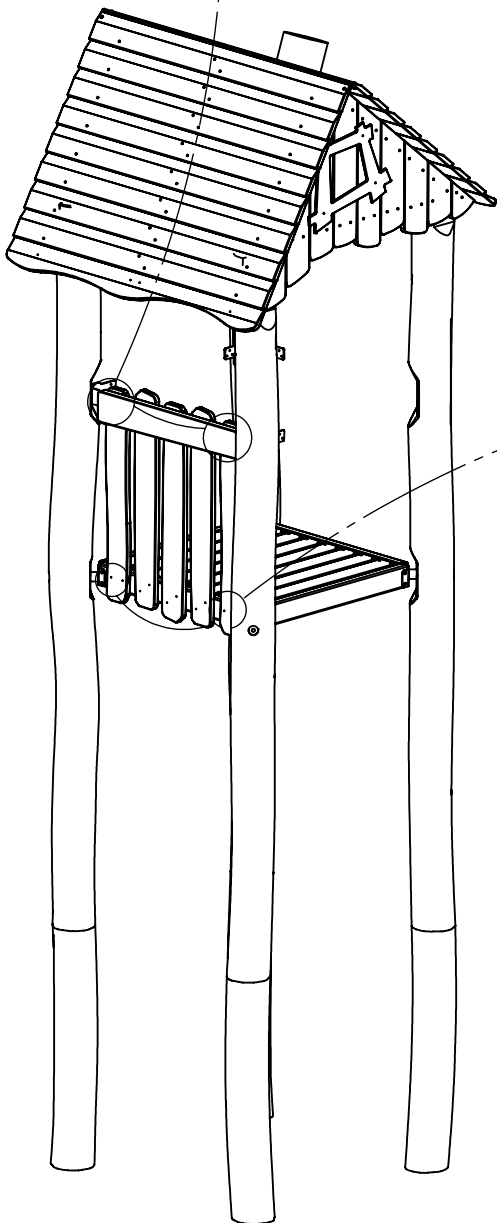
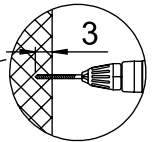


1x 128181

1x 128181

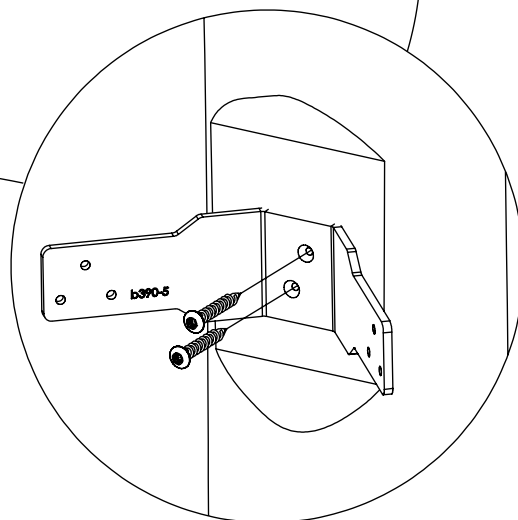
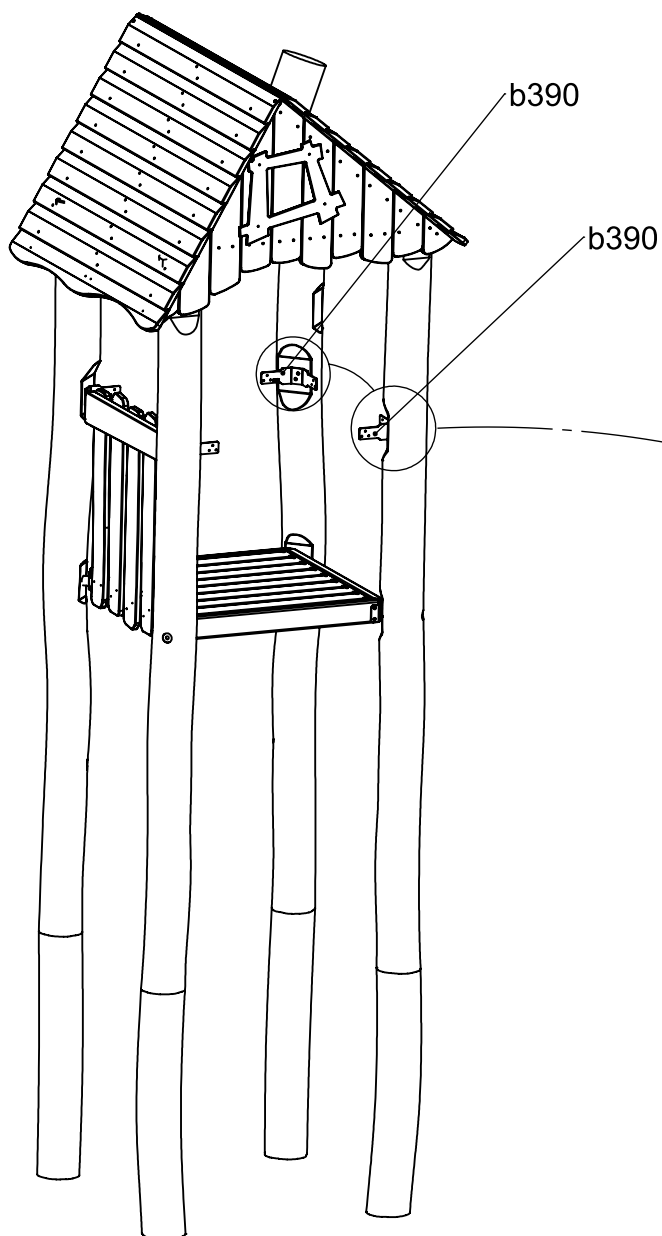
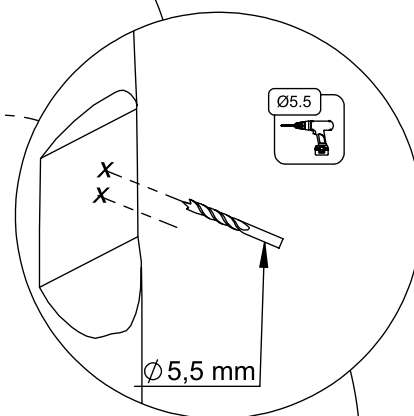
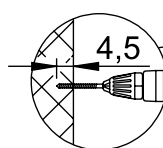
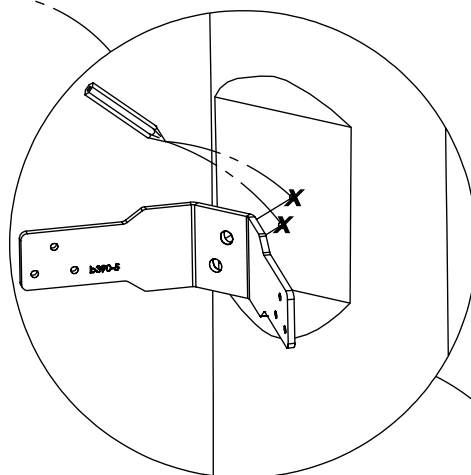
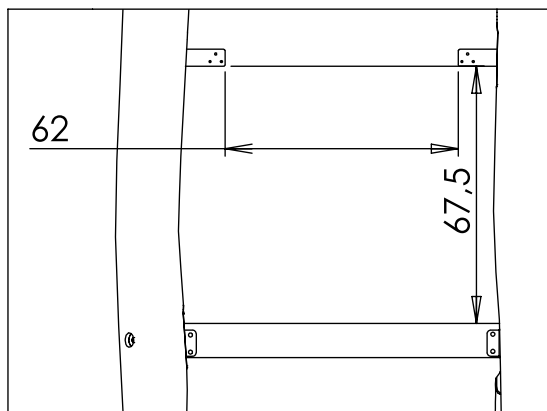


! 30mm < Z < 85mm



4x 5x50sxs

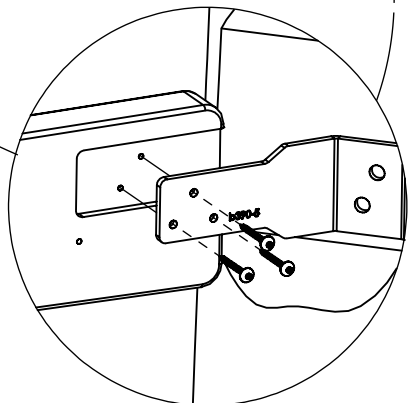
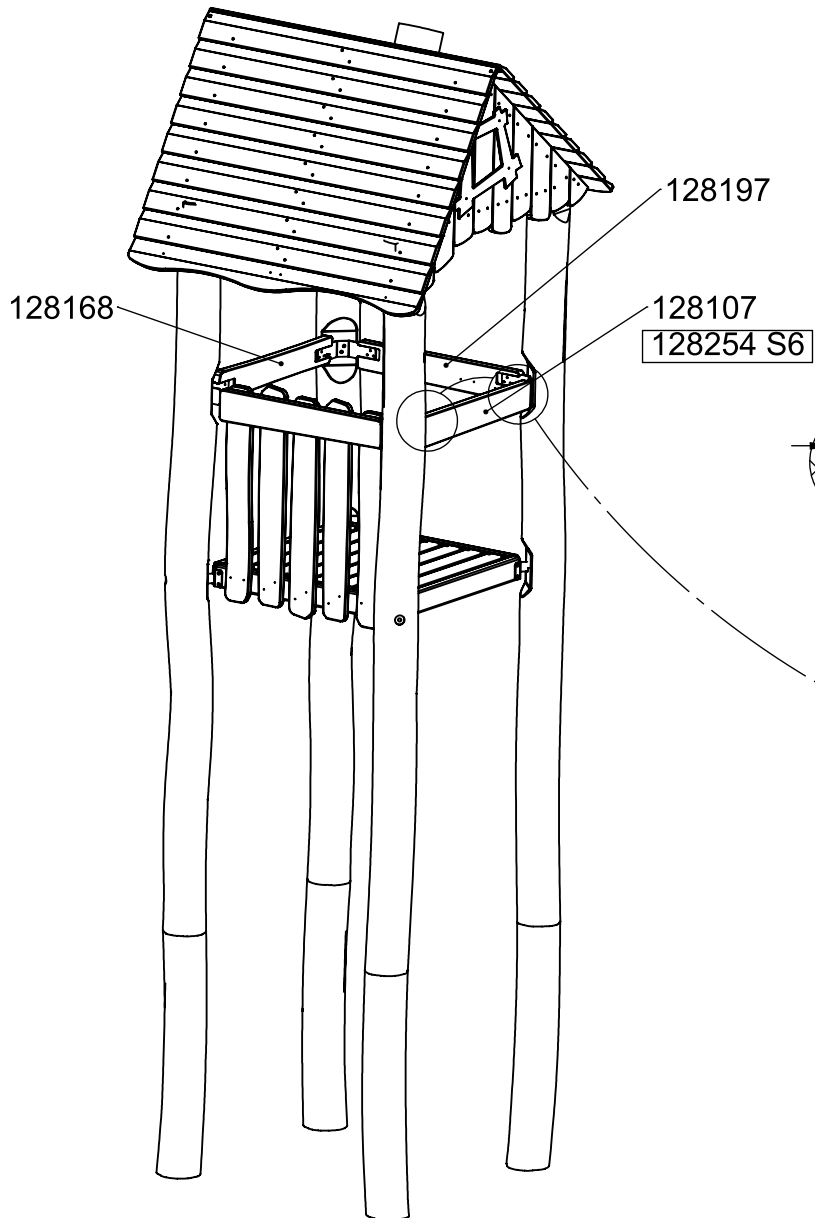
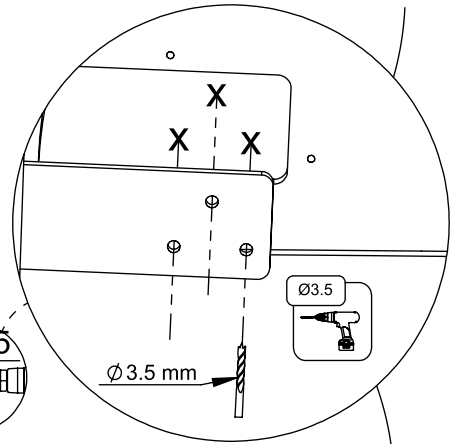
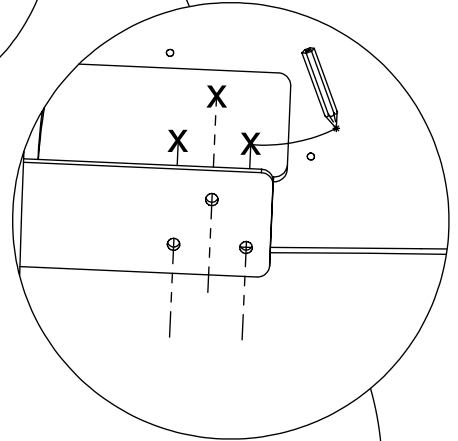
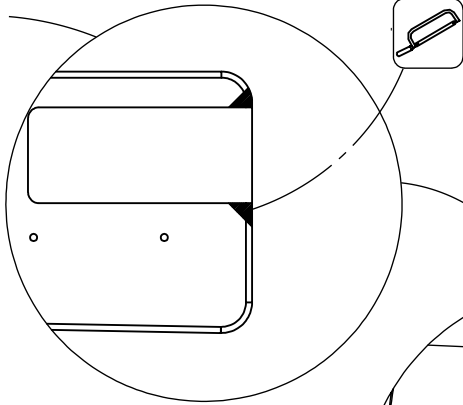
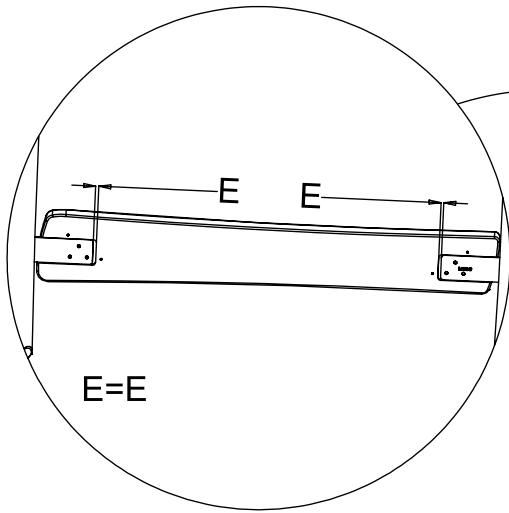
BENITO
-Play



4x 8x50sxi

[cm]

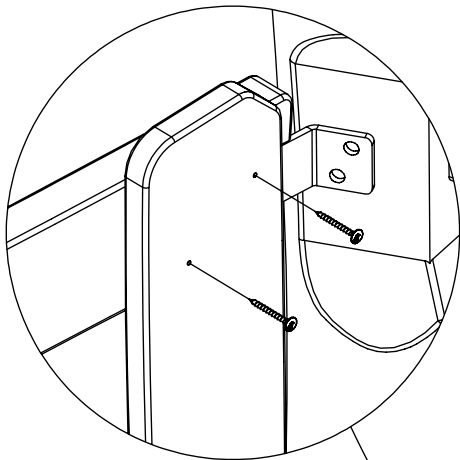
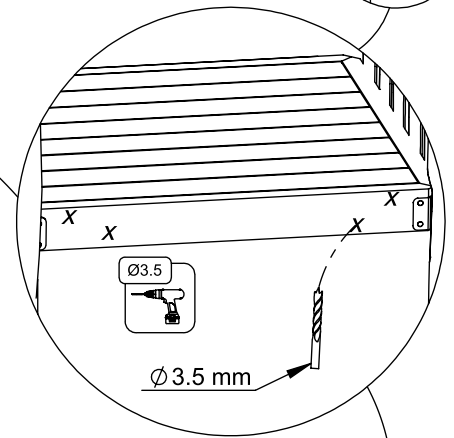
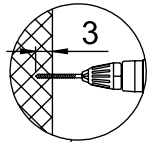
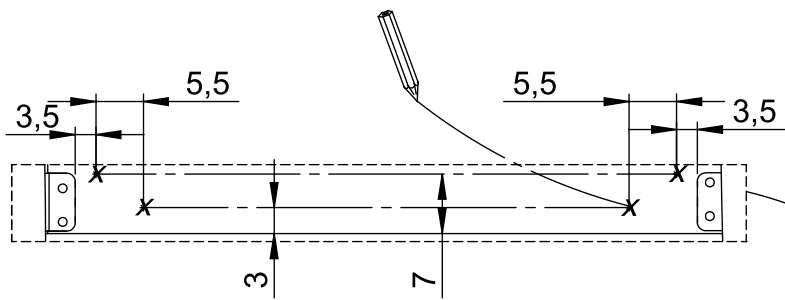
BENITO
-Play



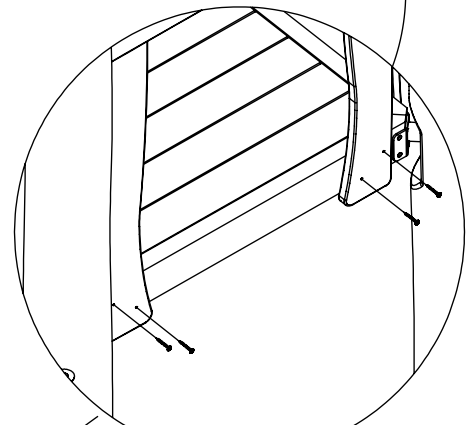
18x5x30sxs

[cm]

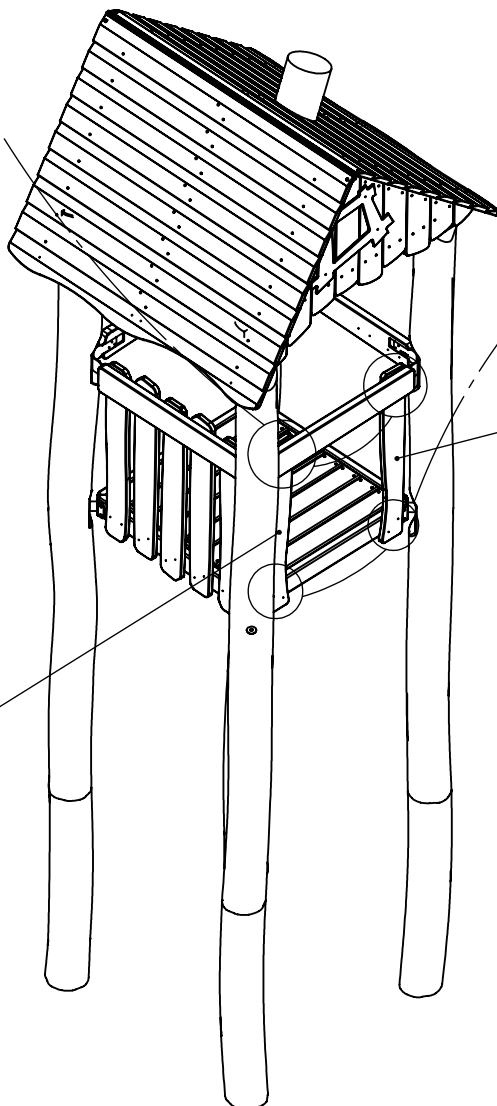
BENITO
-Play



4x 5x50sxs



4x 5x50sxs

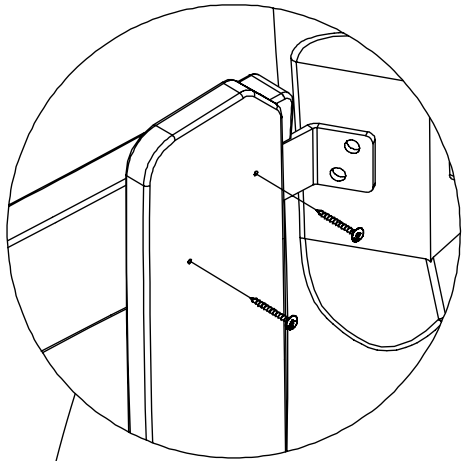


128103
128255 S6

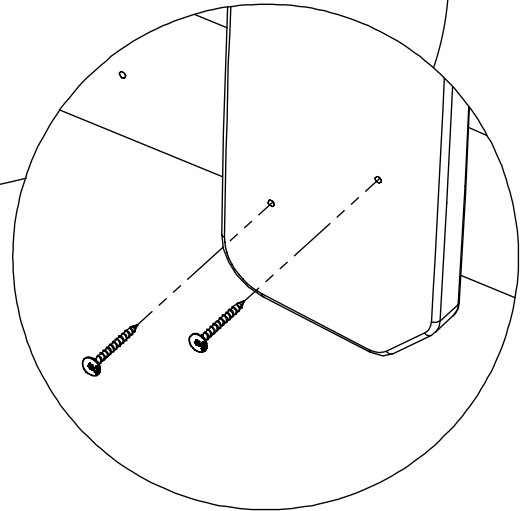
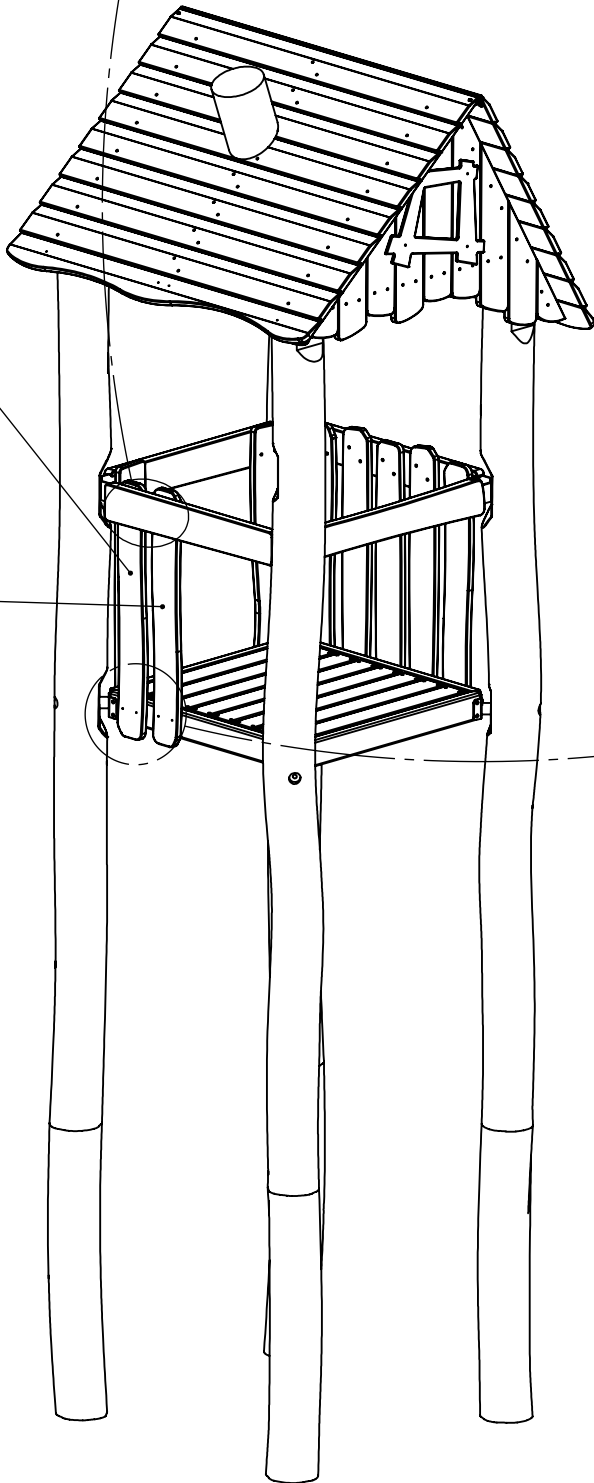
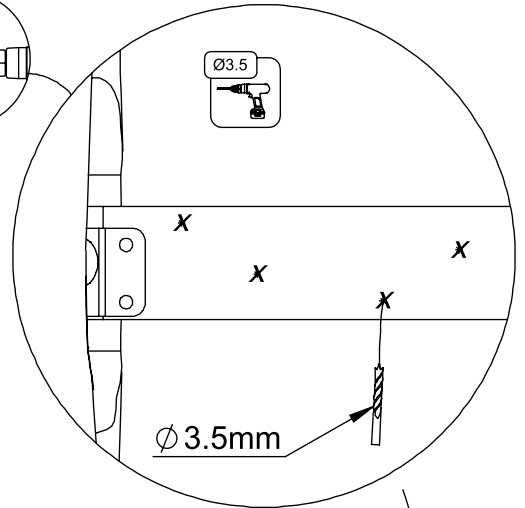
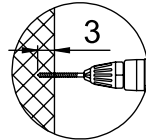
128178
128256 S6

[cm]

BENITO
-Play



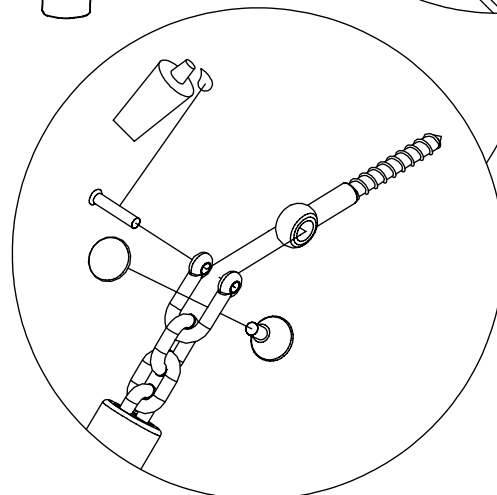
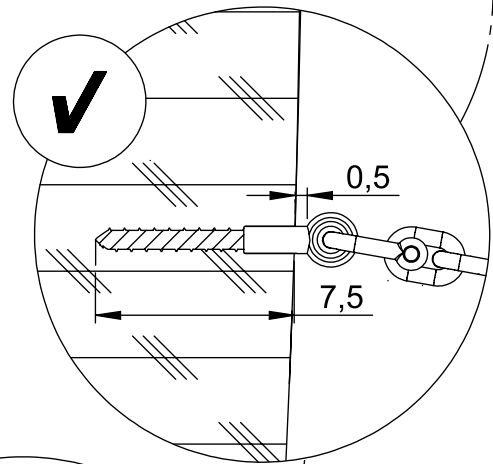
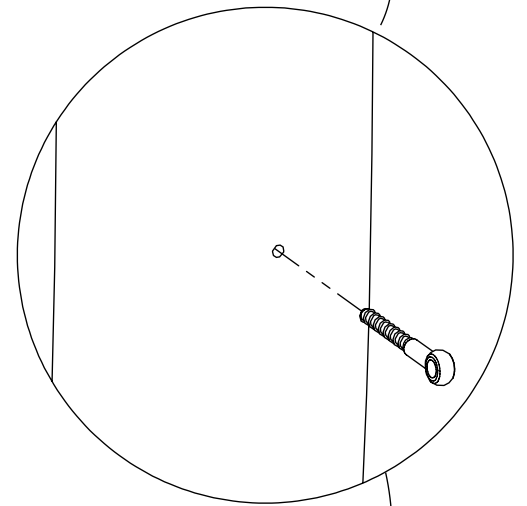
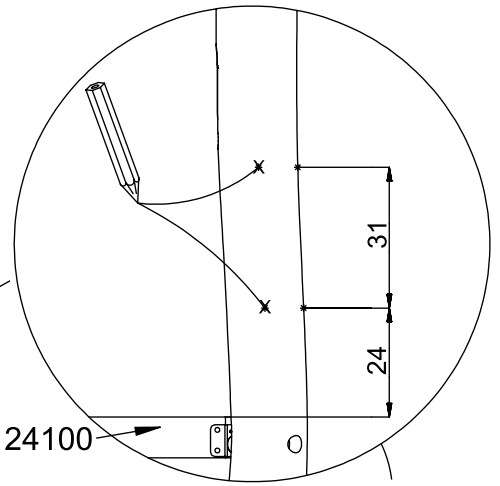
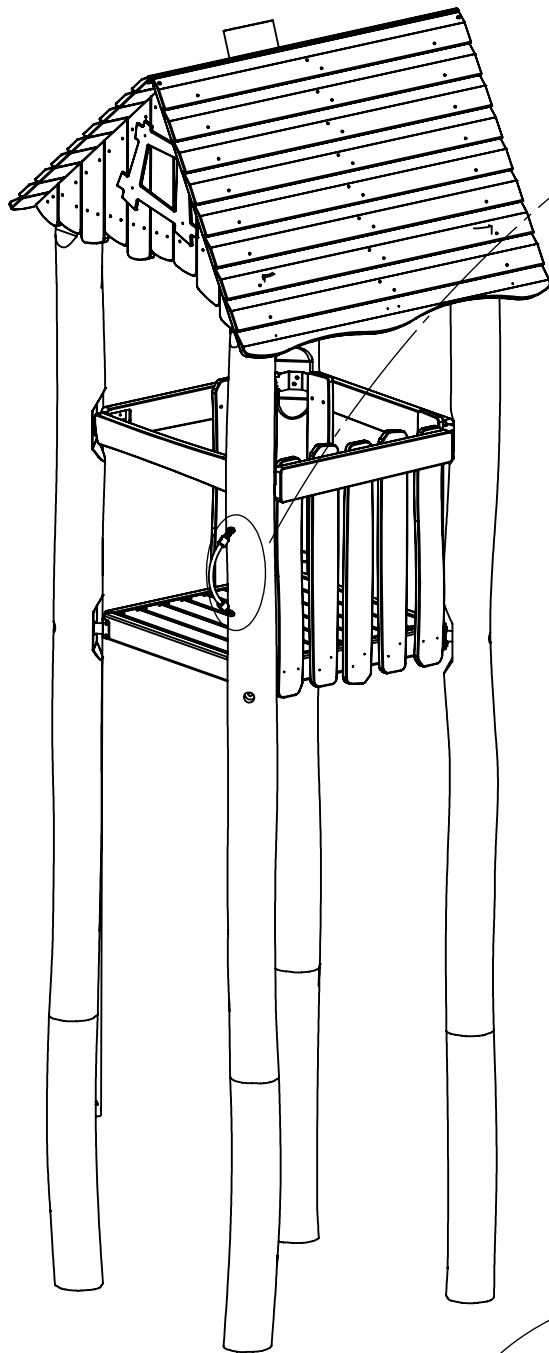
4x 5x50sxs



4x 5x50sxs

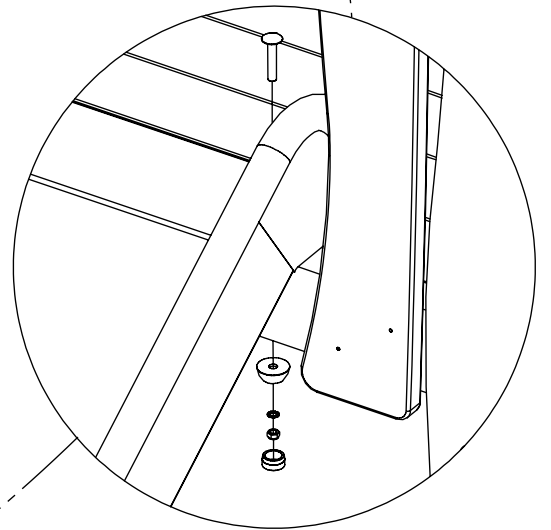
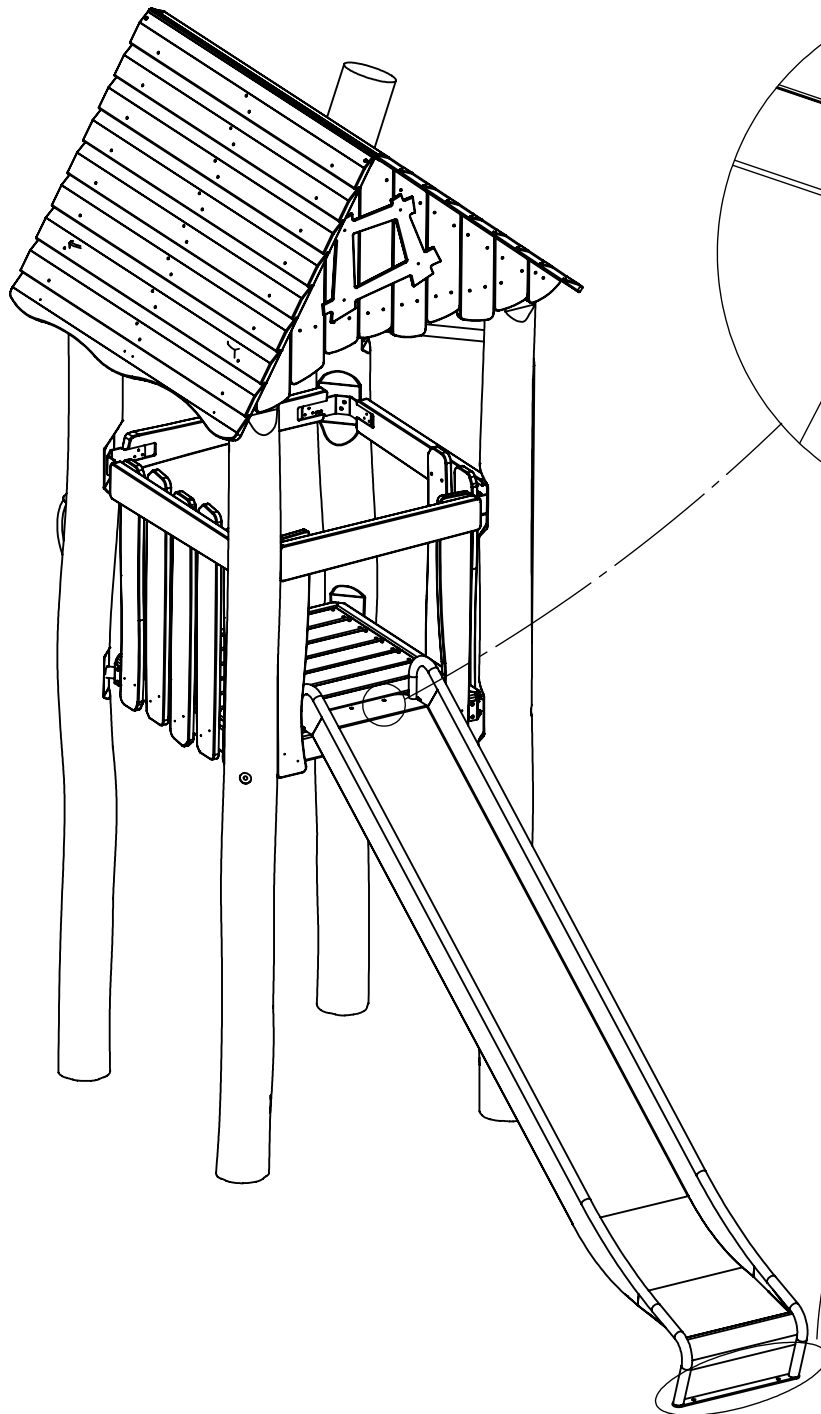
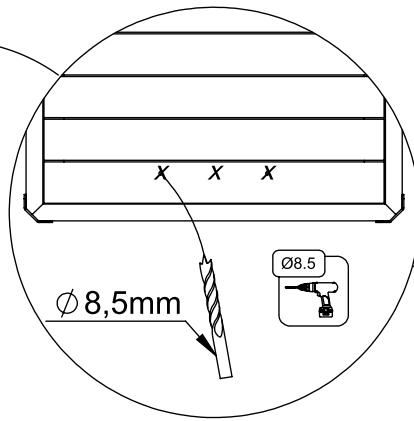
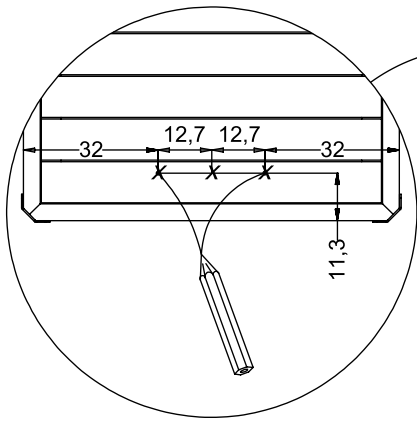
[cm]

BENITO
-Play

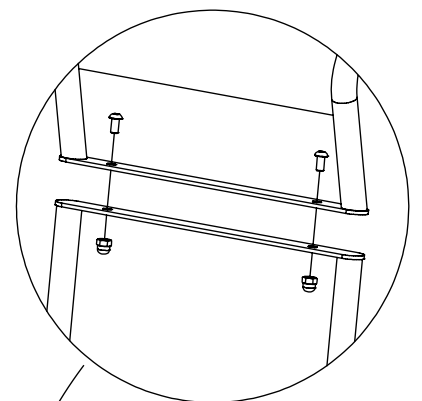


1x 12e007

BENITO
-Play



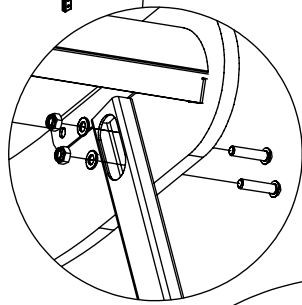
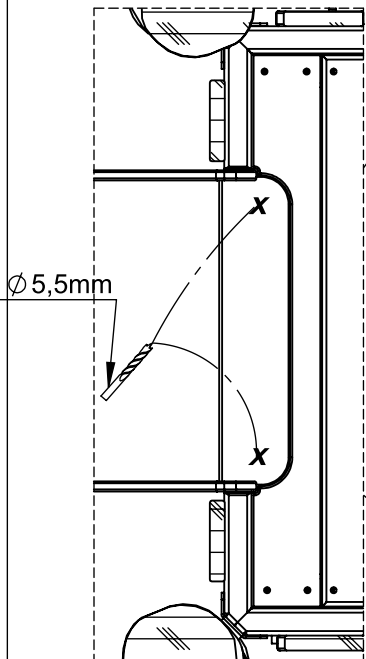
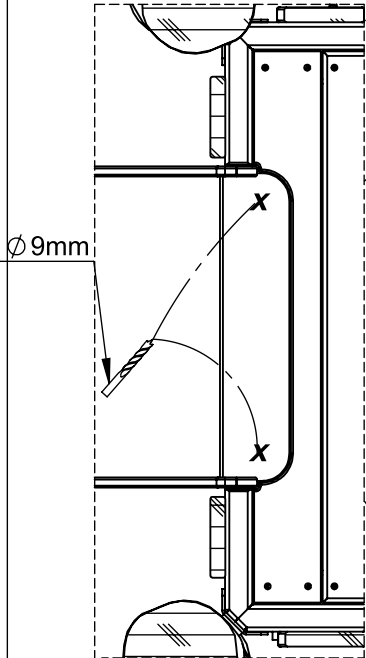
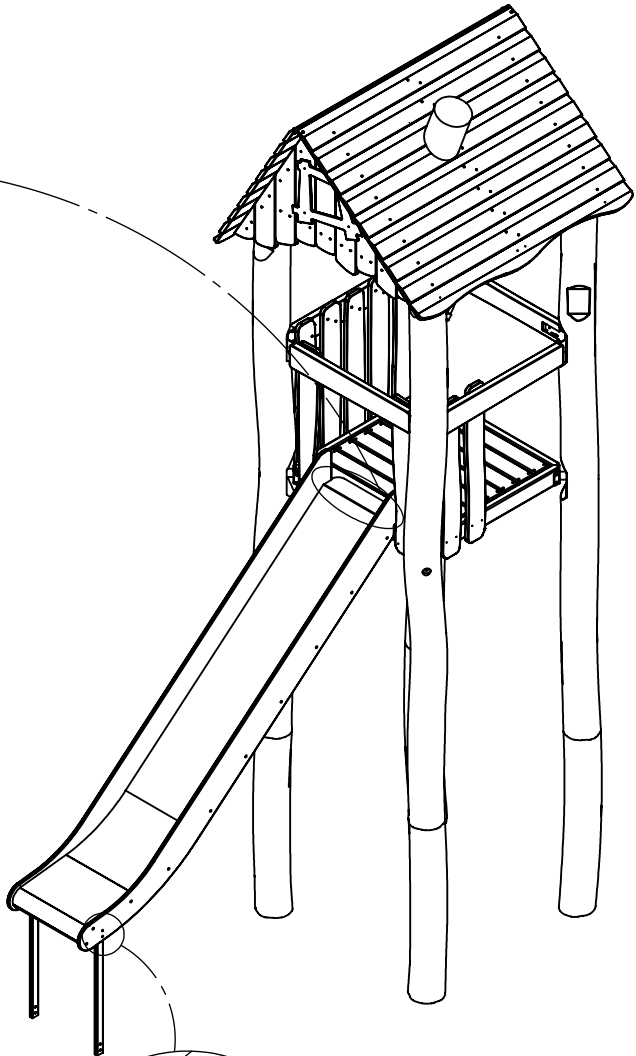
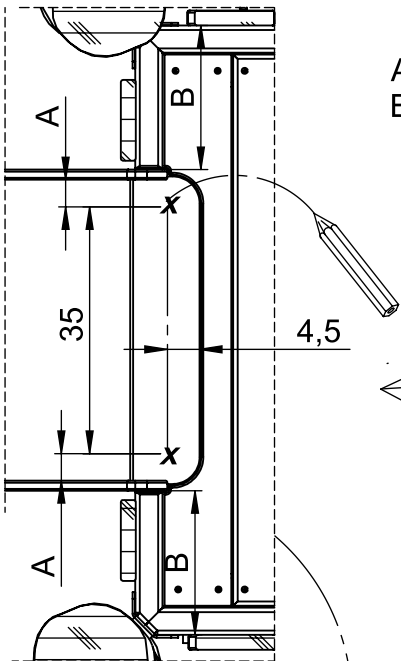
1x 12e089



1x 12e030

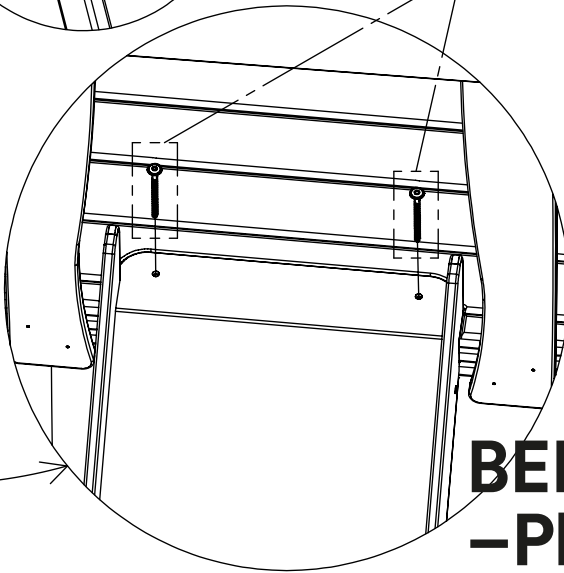
S6

A=A
B=B



8x80sxt

1x 12e108



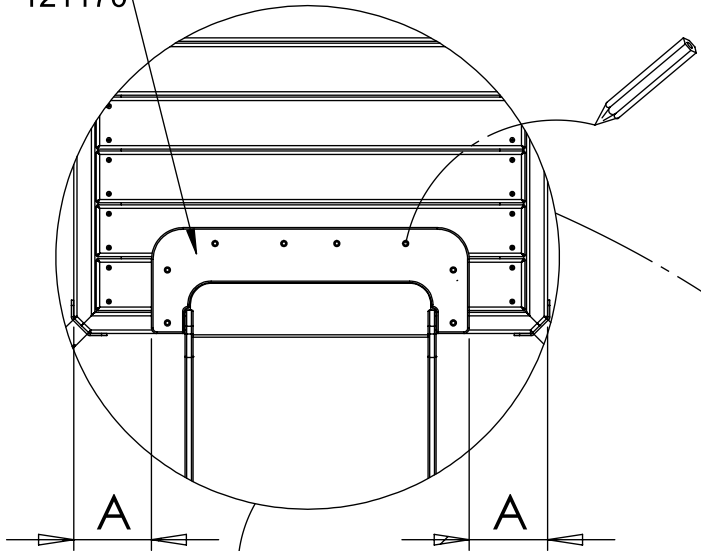
BENITO -Play

[cm]

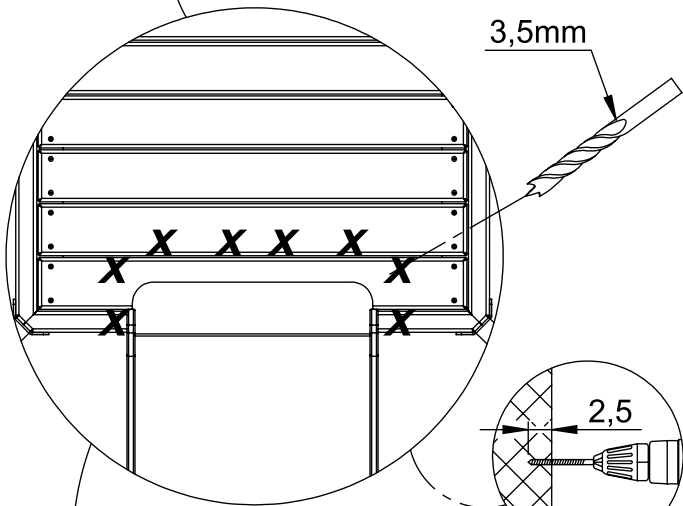
S6

121170

A=A

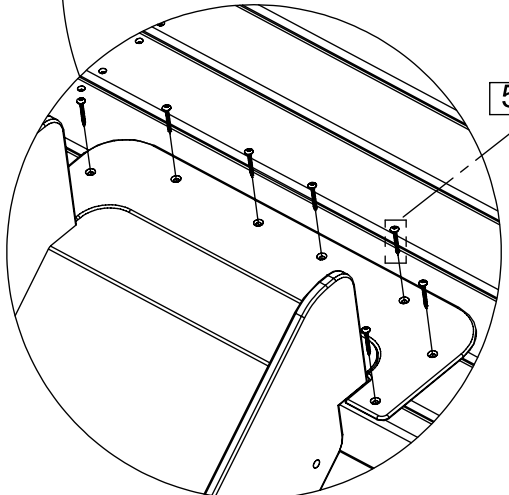


3,5mm

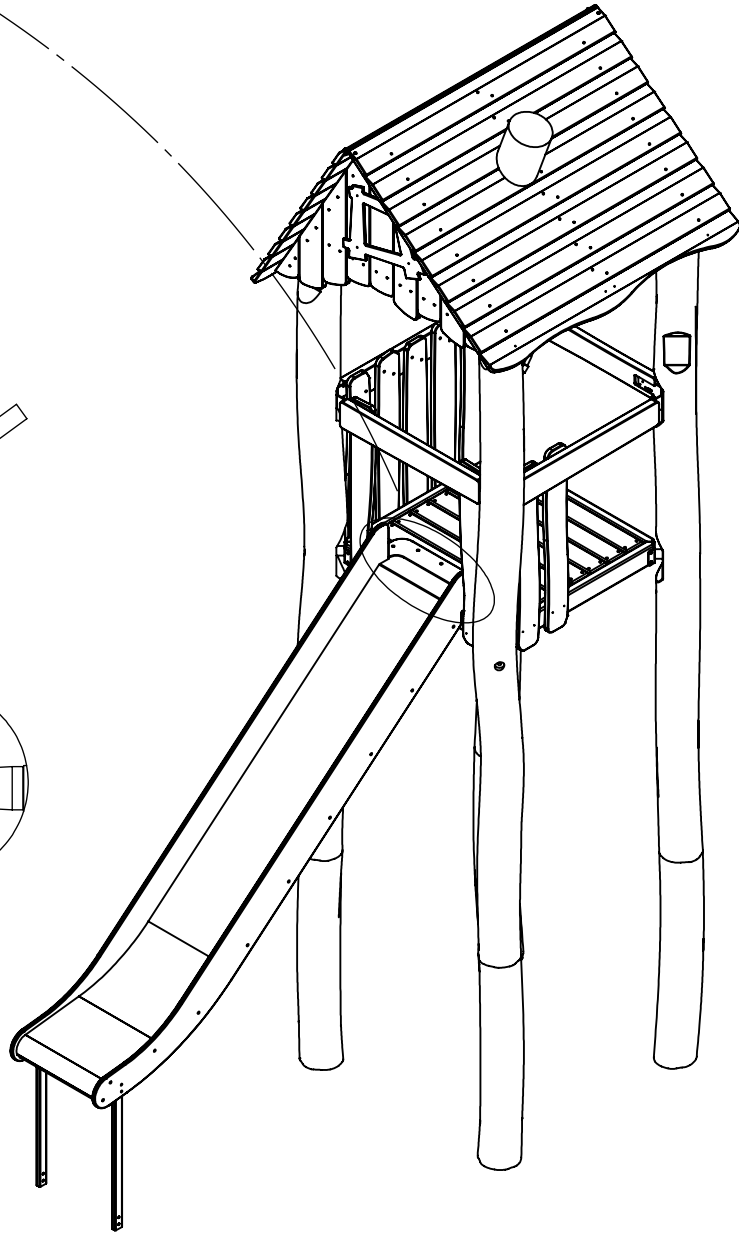


2,5

5x30sxs

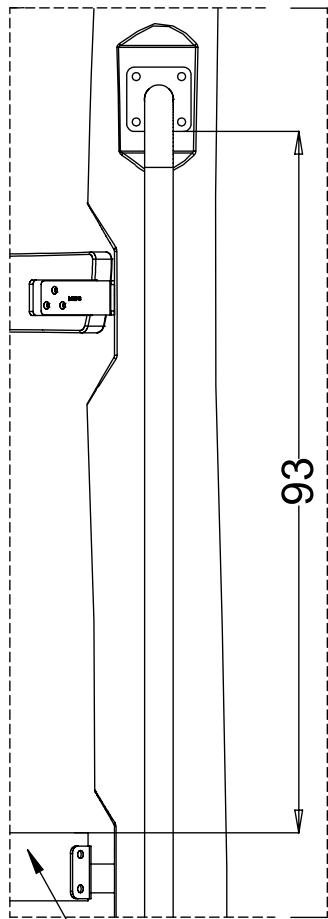


12e108

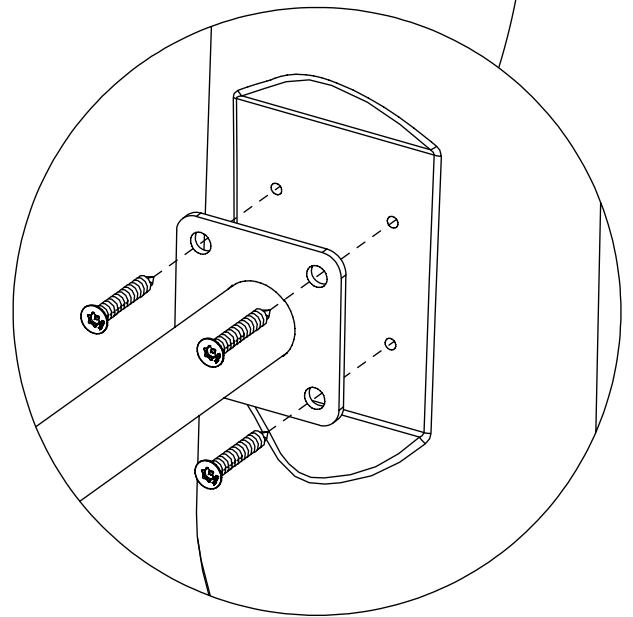
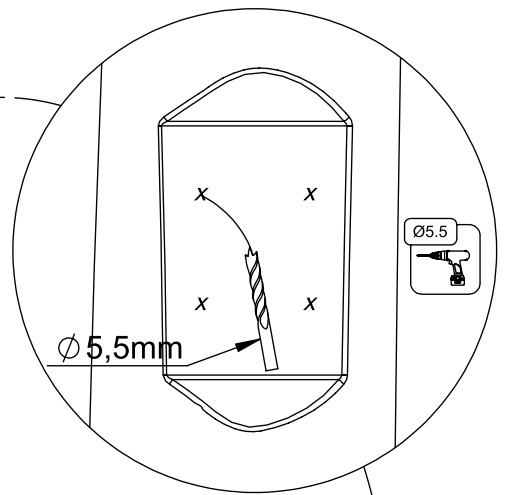
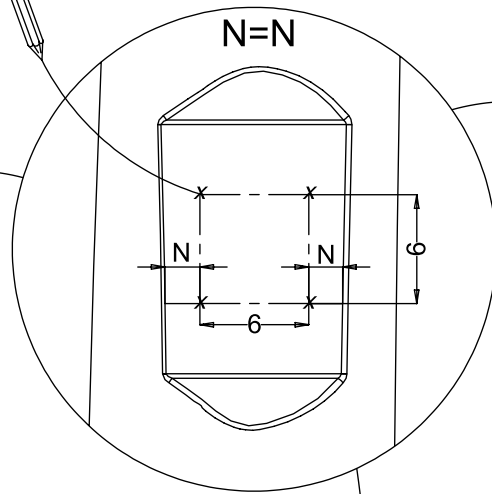


[cm]

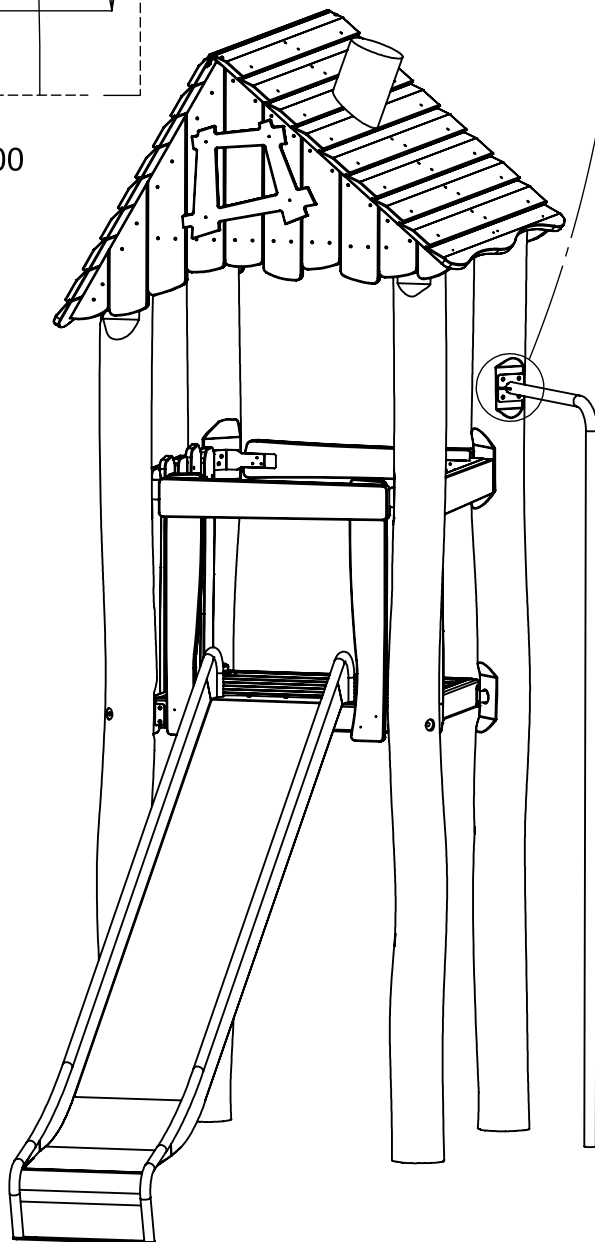
BENITO -Play



124100

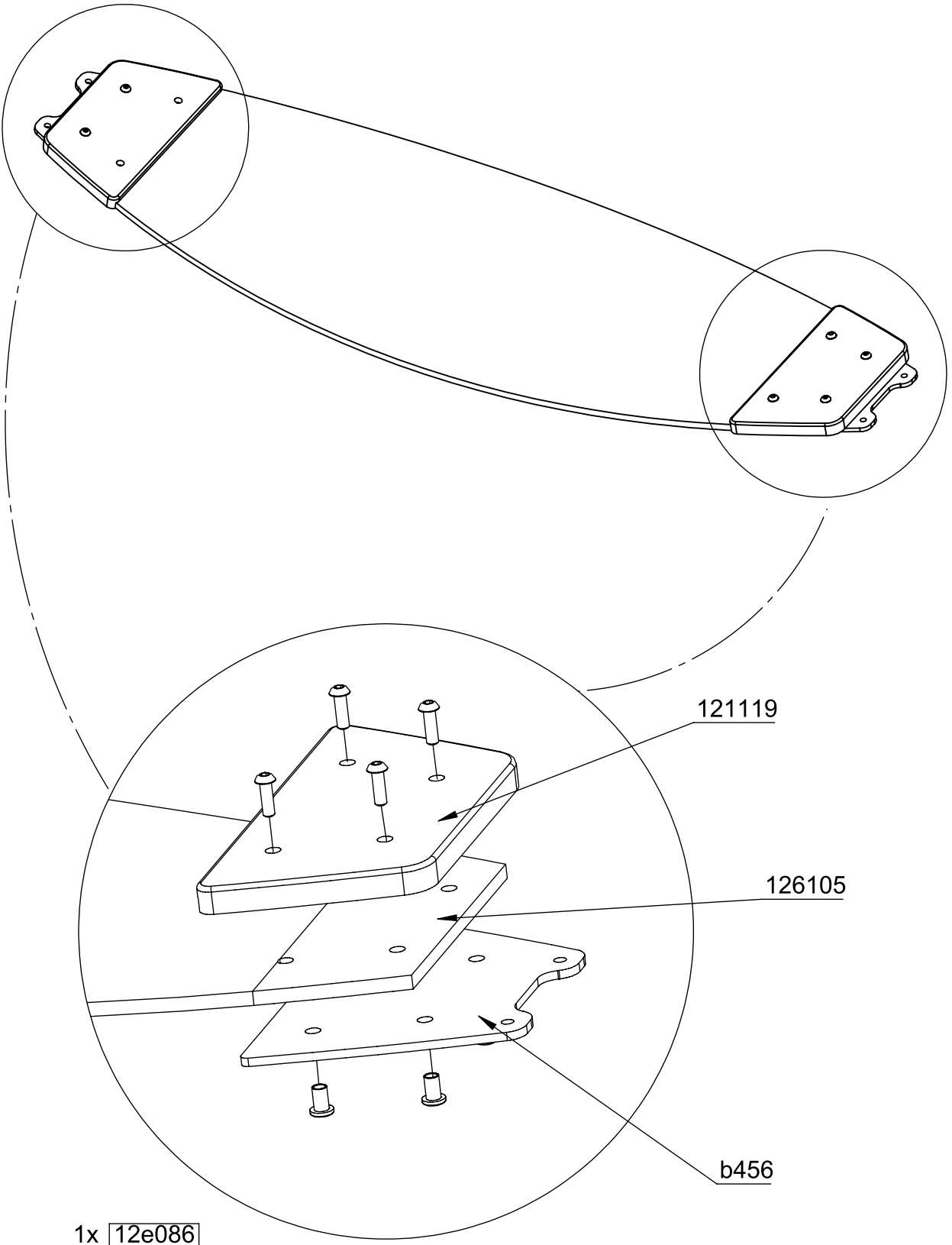


4x 8x50sxi



[cm]

BENITO
-Play



1x 12e086

121119

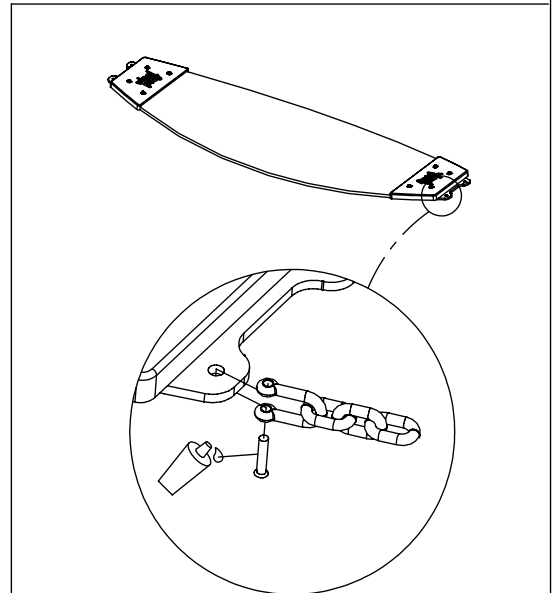
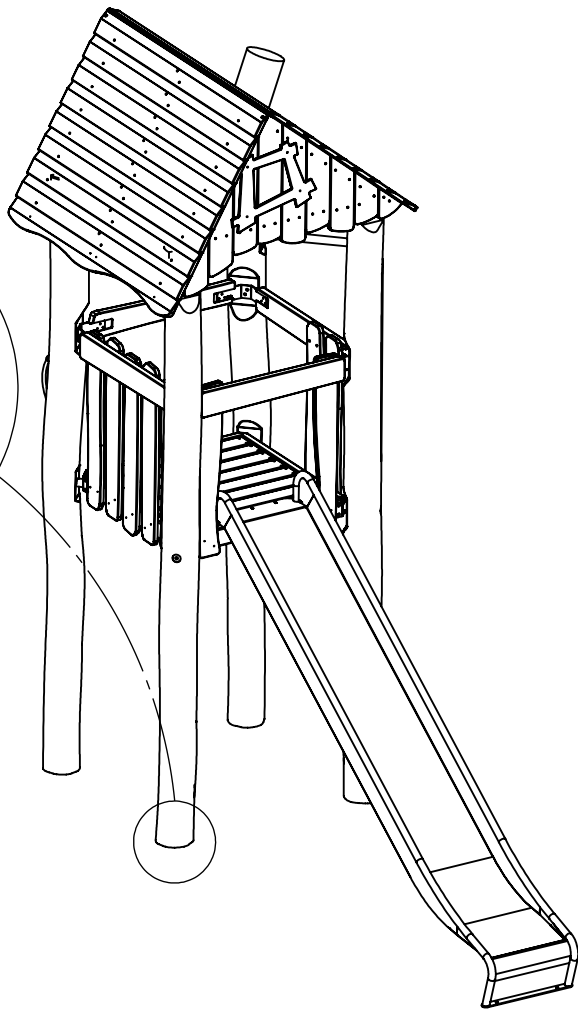
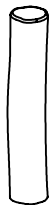
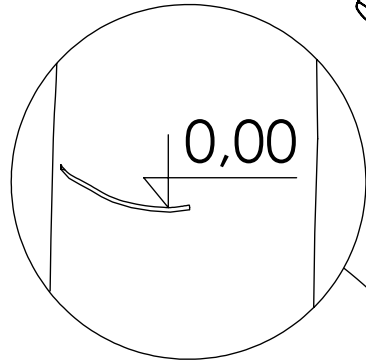
126105

b456

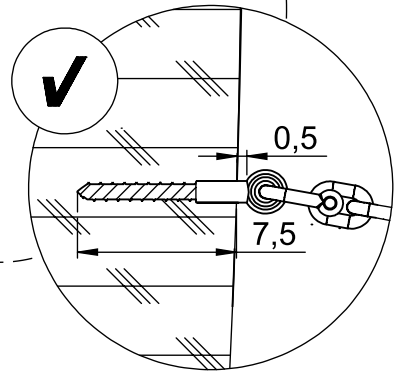
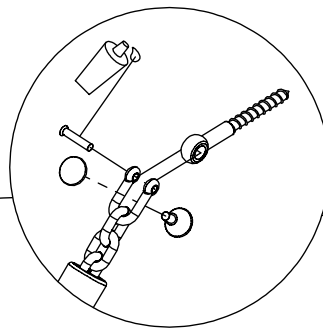
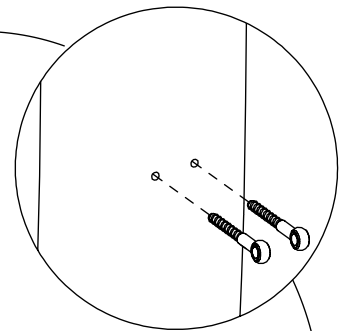
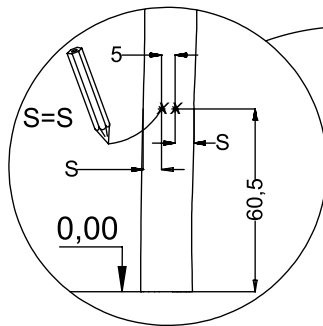
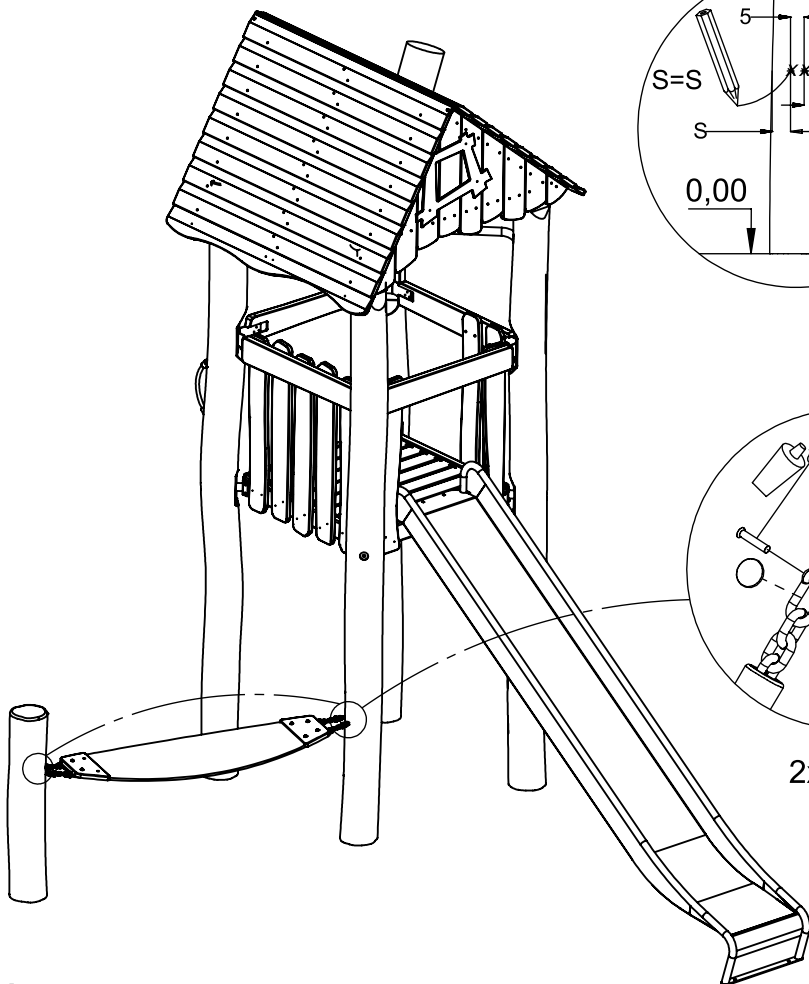
[cm]

**BENITO
-Play**

48h



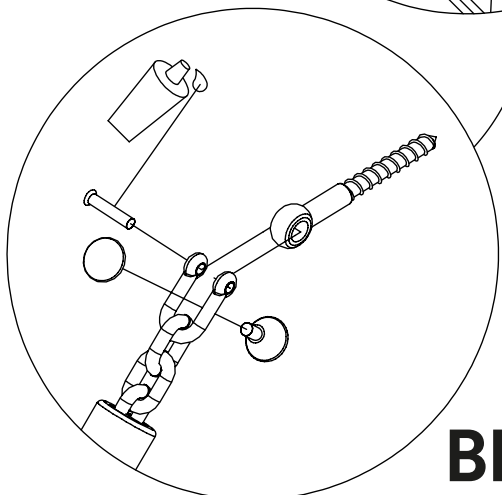
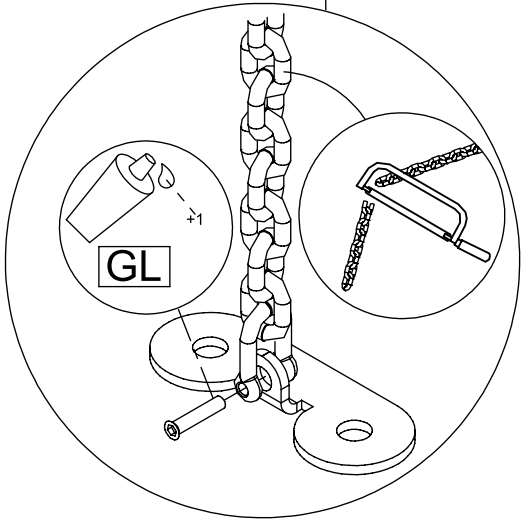
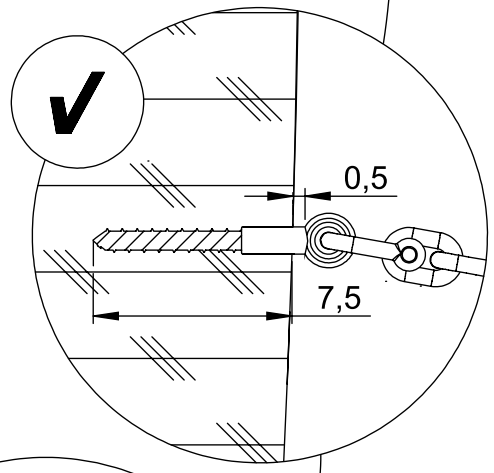
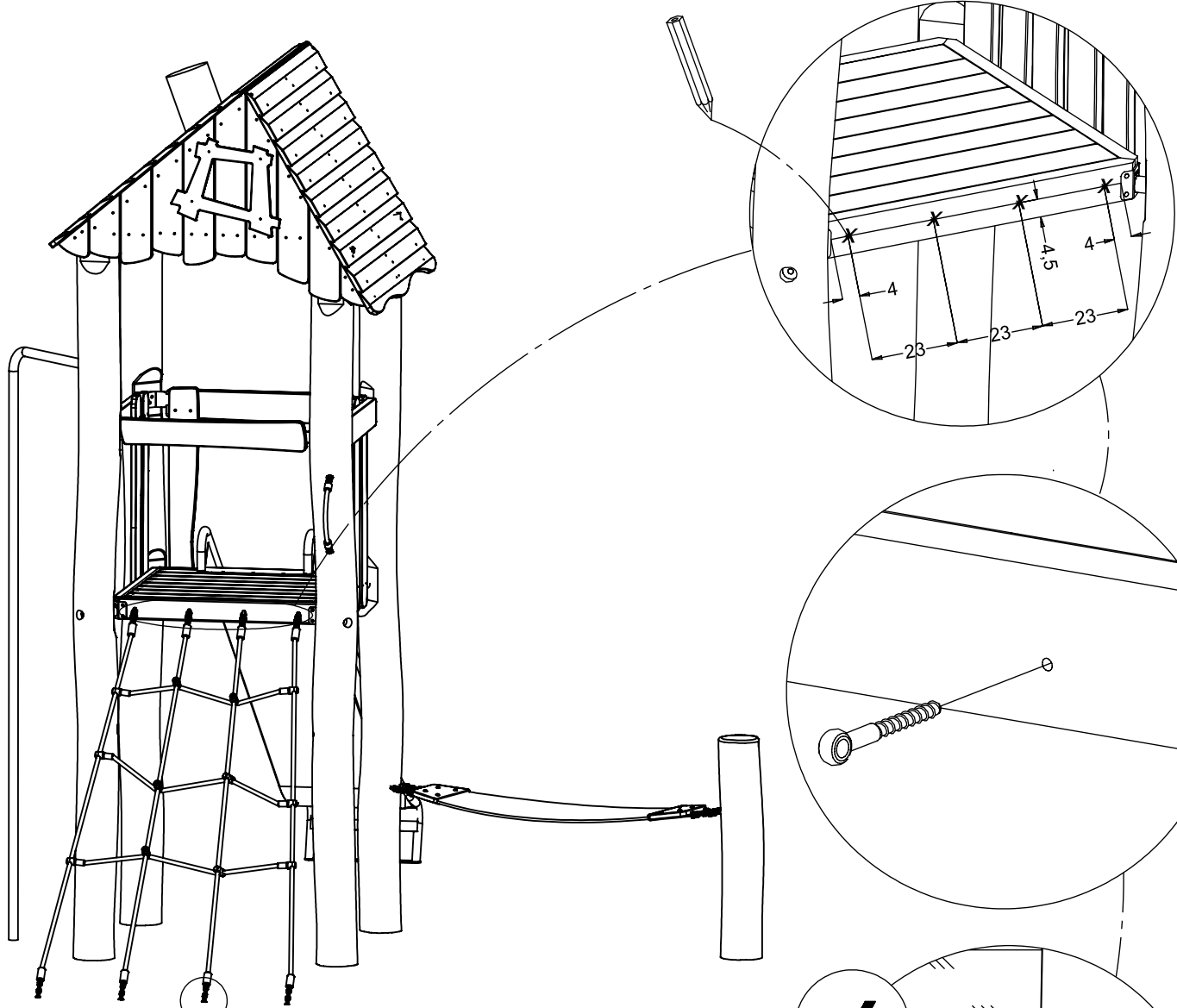
1x 12e024



2x 12e007

[cm]

BENITO
-Play

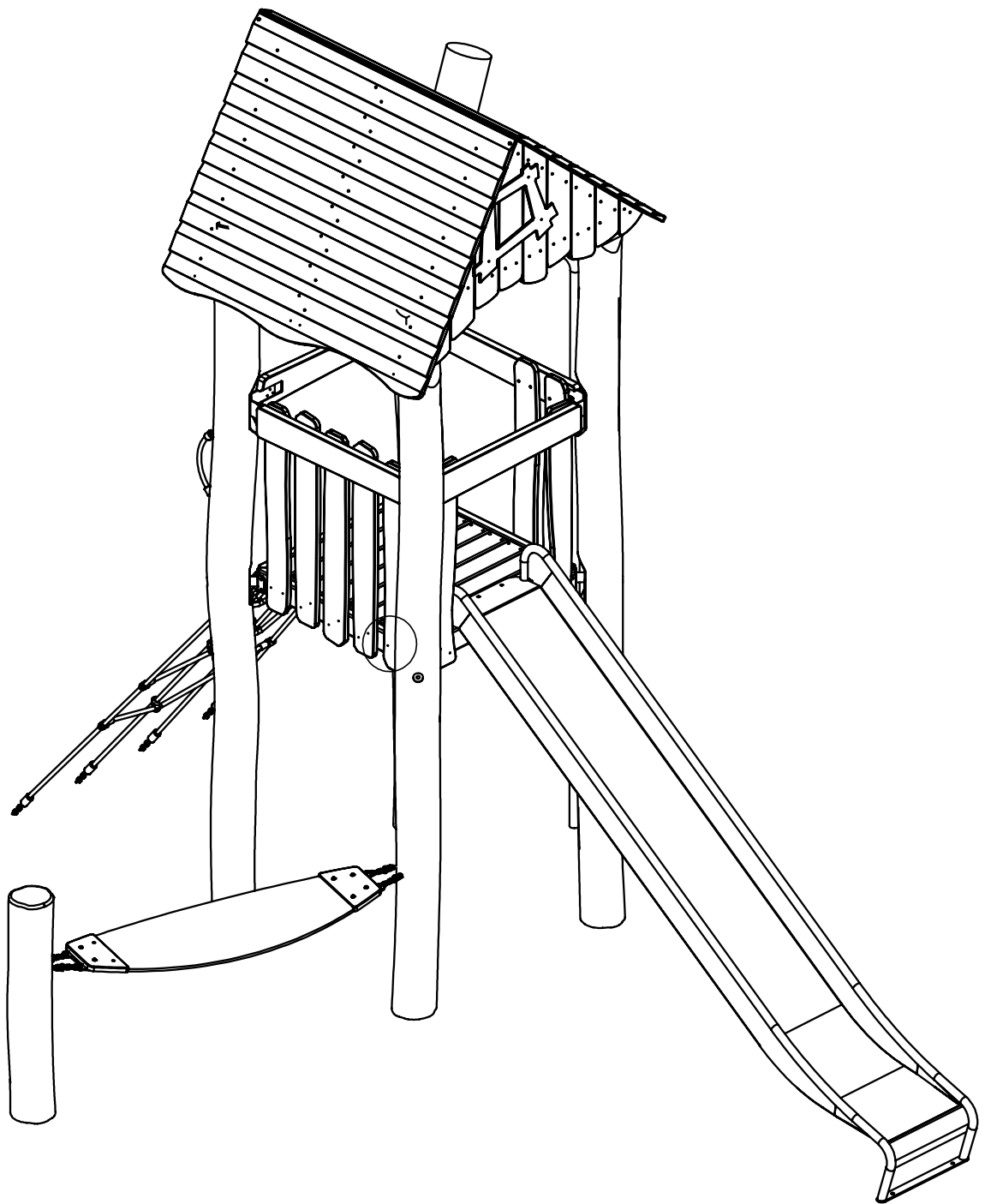


4x 12e052

2x 12e007

**BENITO
-Play**

[cm]



[cm]

**BENITO
-Play**