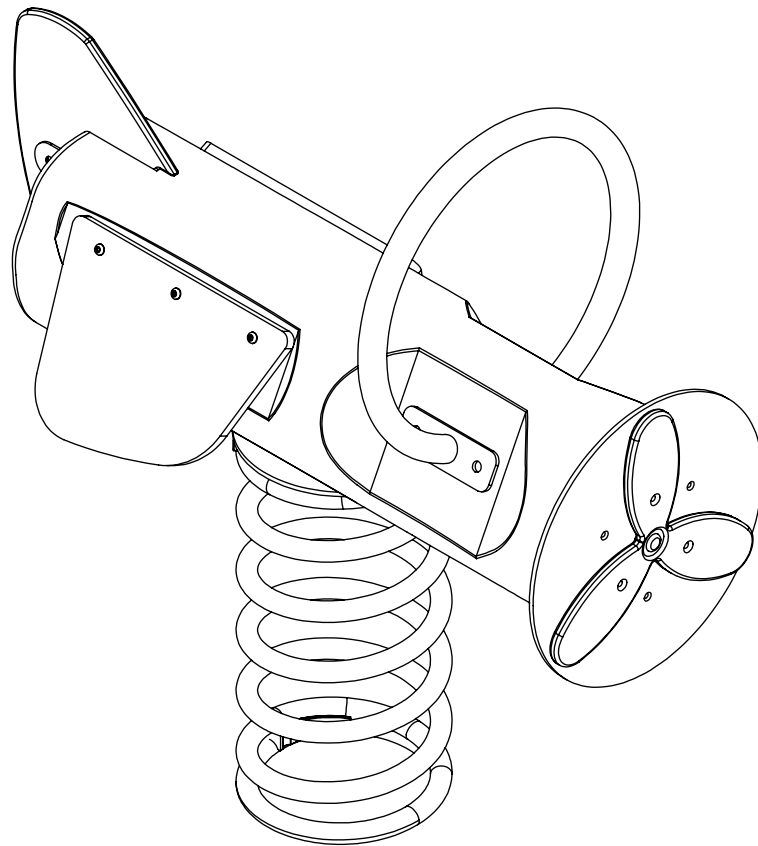


# JROYM11



1h



48h

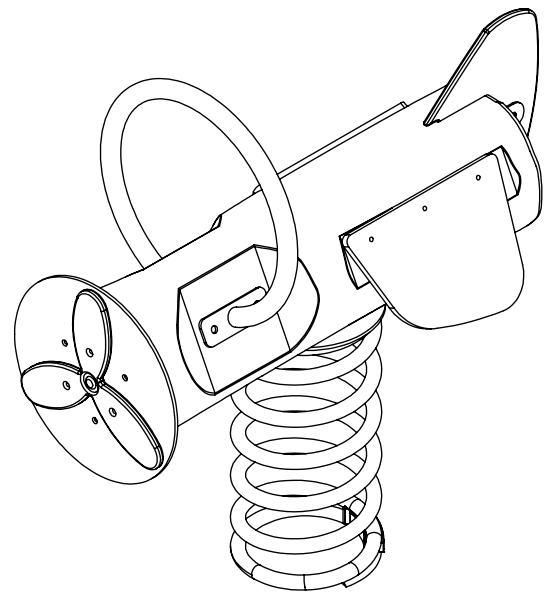
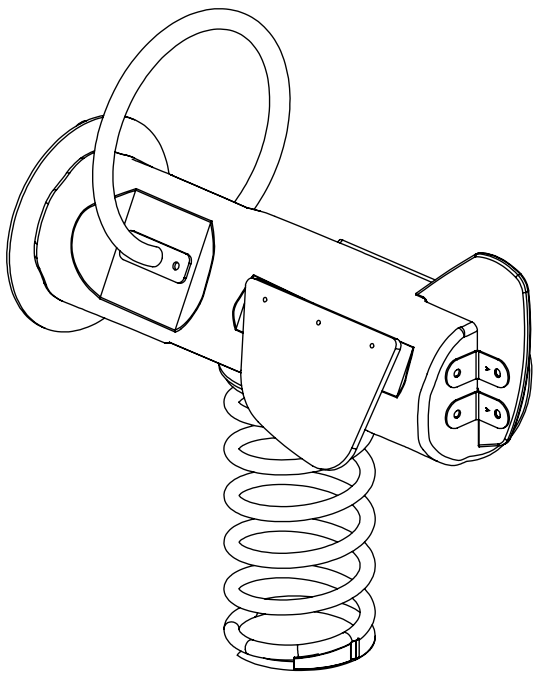
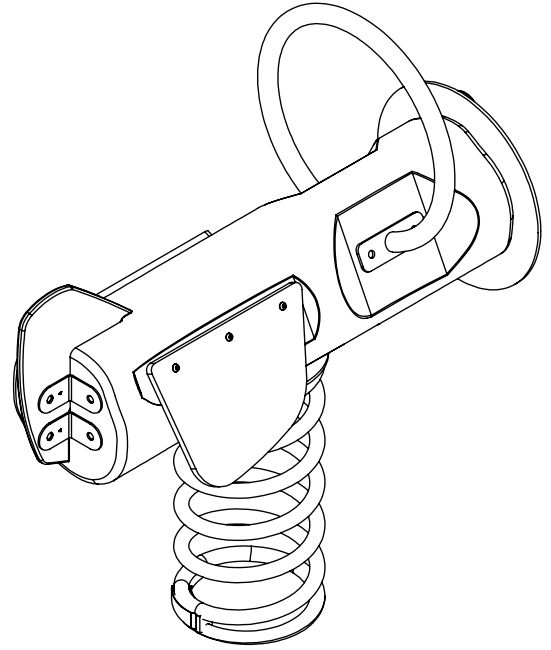
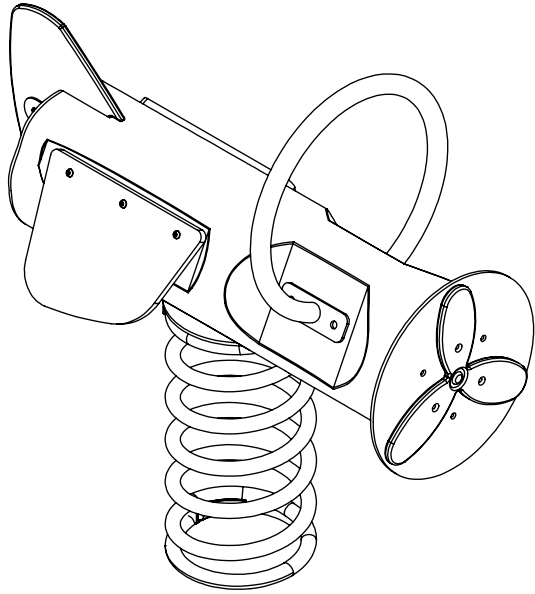


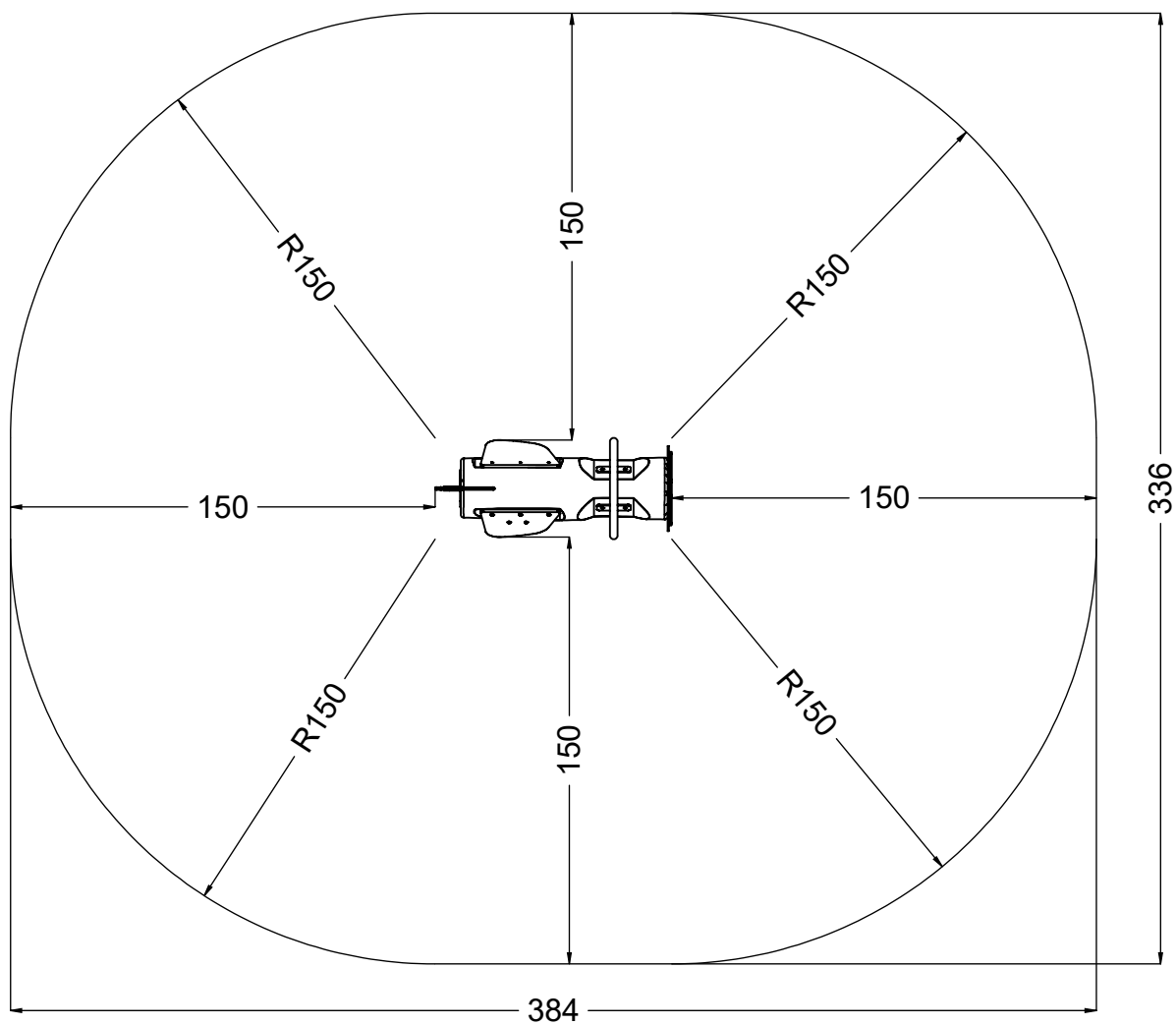
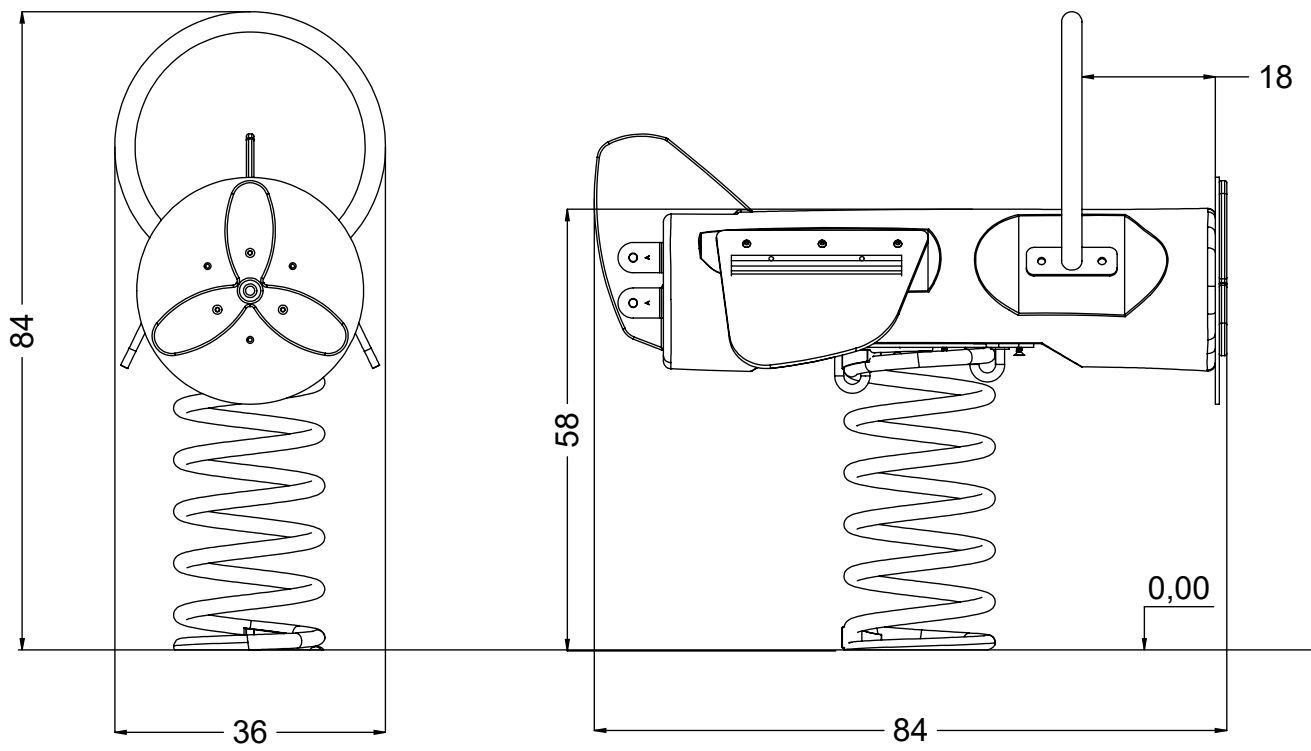
<60  
HIC



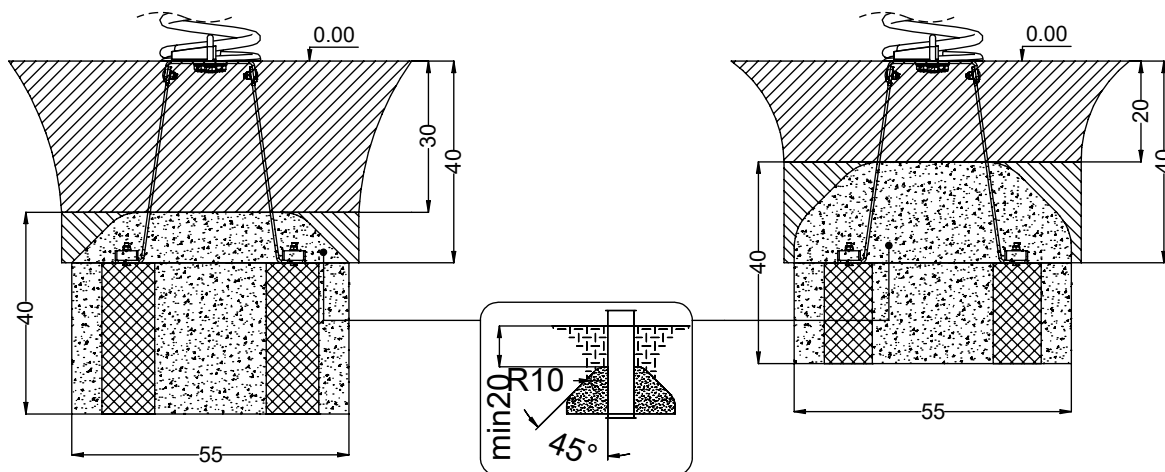
v010  
25.01.2021  
A. P.  
[cm]

**BENITO**  
**-Play**

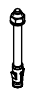




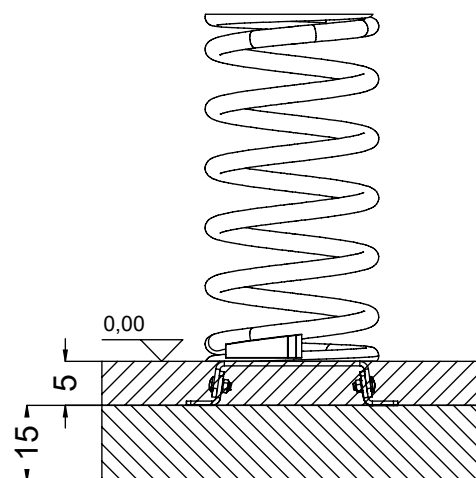
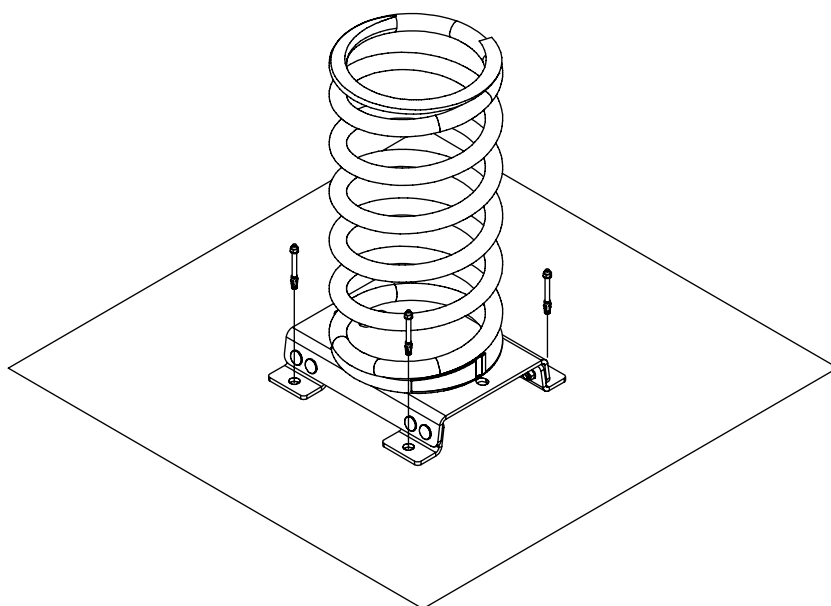
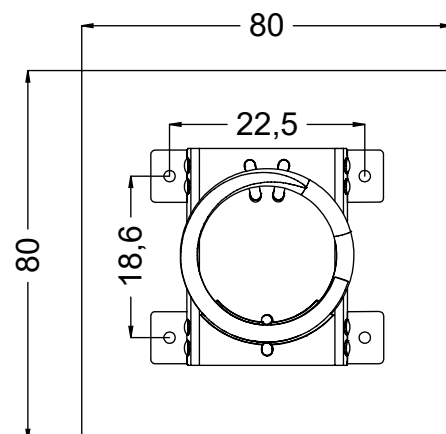


# K17



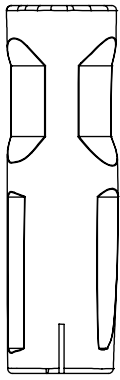
# K3

|   |   |
|---|---|
|  | K3  |
| M10x120<br>x4   |   |
| NOT INCLUDED  |  |

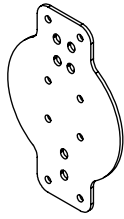


[cm]

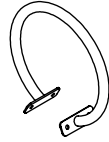
|  |    |   |   |                                  |  |                                 |
|--|----|---|---|----------------------------------|--|---------------------------------|
|  x2 | 3h |  |  | K17<br>x1<br>>0,12m <sup>2</sup> | 48h<br> | K3<br>x1<br>>0,09m <sup>2</sup> |
|--|----|---|---|----------------------------------|--|---------------------------------|



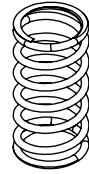
127335  
x1



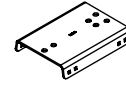
B393  
x1



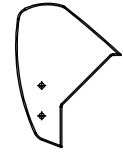
122105  
x1



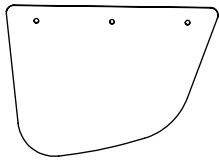
996171  
x1



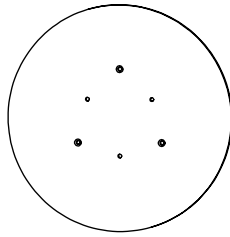
B239  
x1



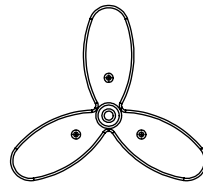
121123  
x1



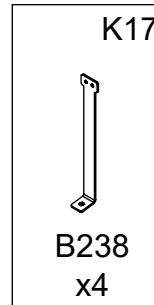
126107  
x2



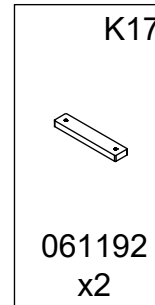
121121  
x1



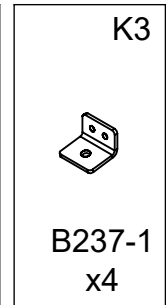
121122  
x1



K17  
B238  
x4



K17  
061192  
x2

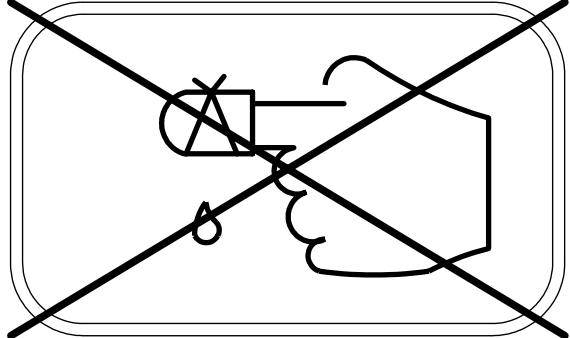
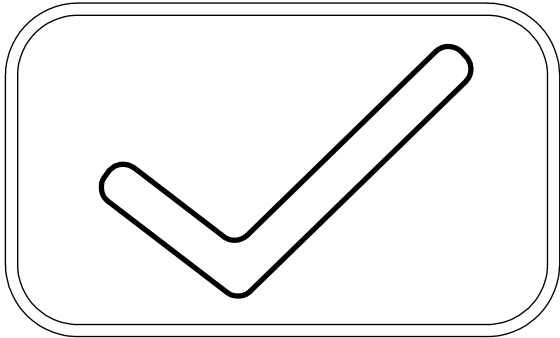
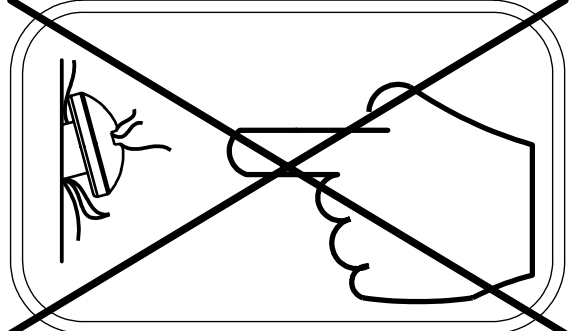
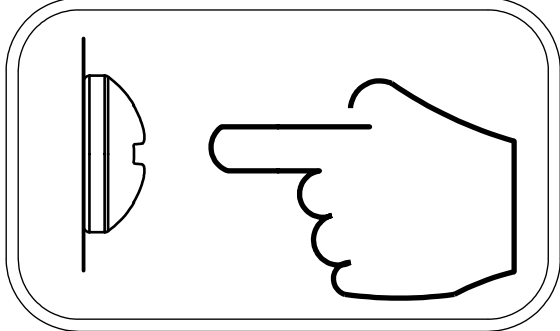
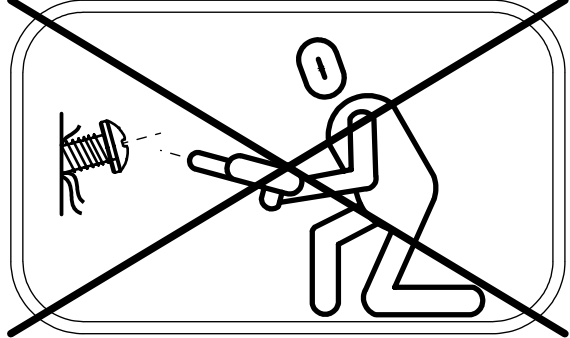
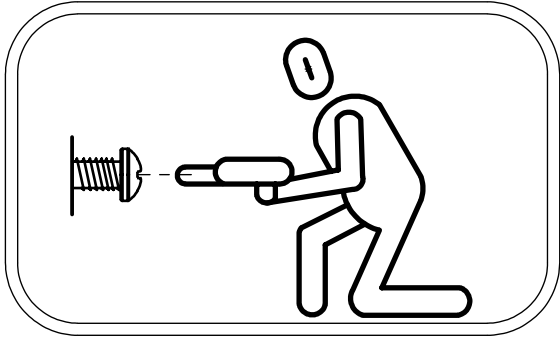


K3  
B237-1  
x4

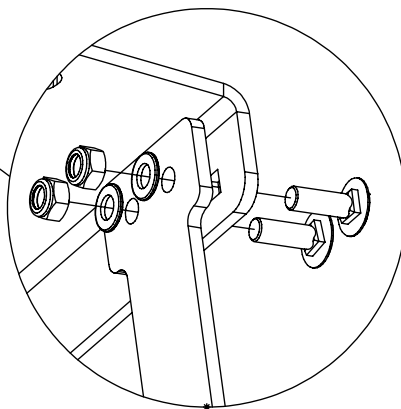
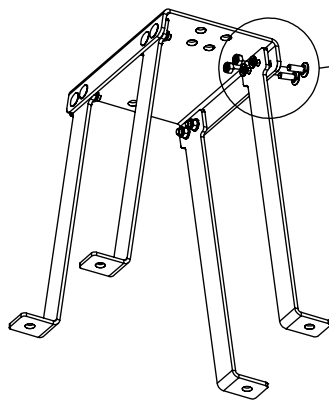


121128  
x2

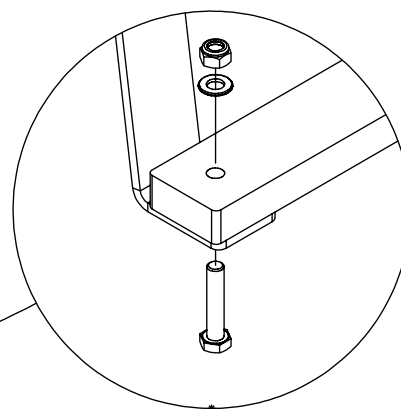
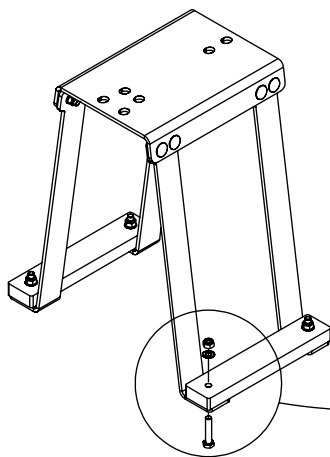
|     |           |
|-----|-----------|
| 1x  | SP3 (K17) |
| 1x  | SP1       |
| 2x  | SP2       |
| 1x  | 12e067    |
| 1x  | V001      |
| 7x  | 5x50 sxs  |
| 6x  | 7x35sxi   |
| 3x  | 5x80 sxs  |
| 16x | 8x50 sxi  |



K17

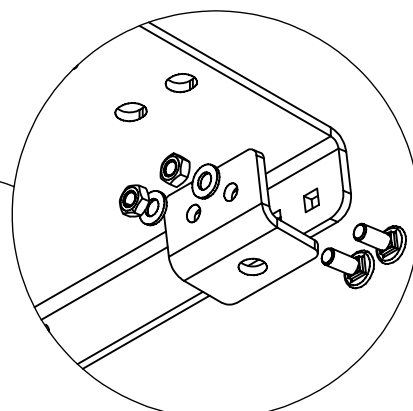
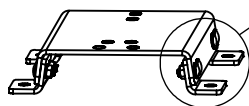


SP1 x1



SP3 x1

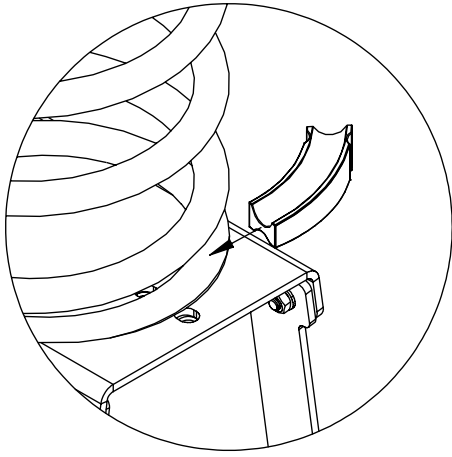
K3



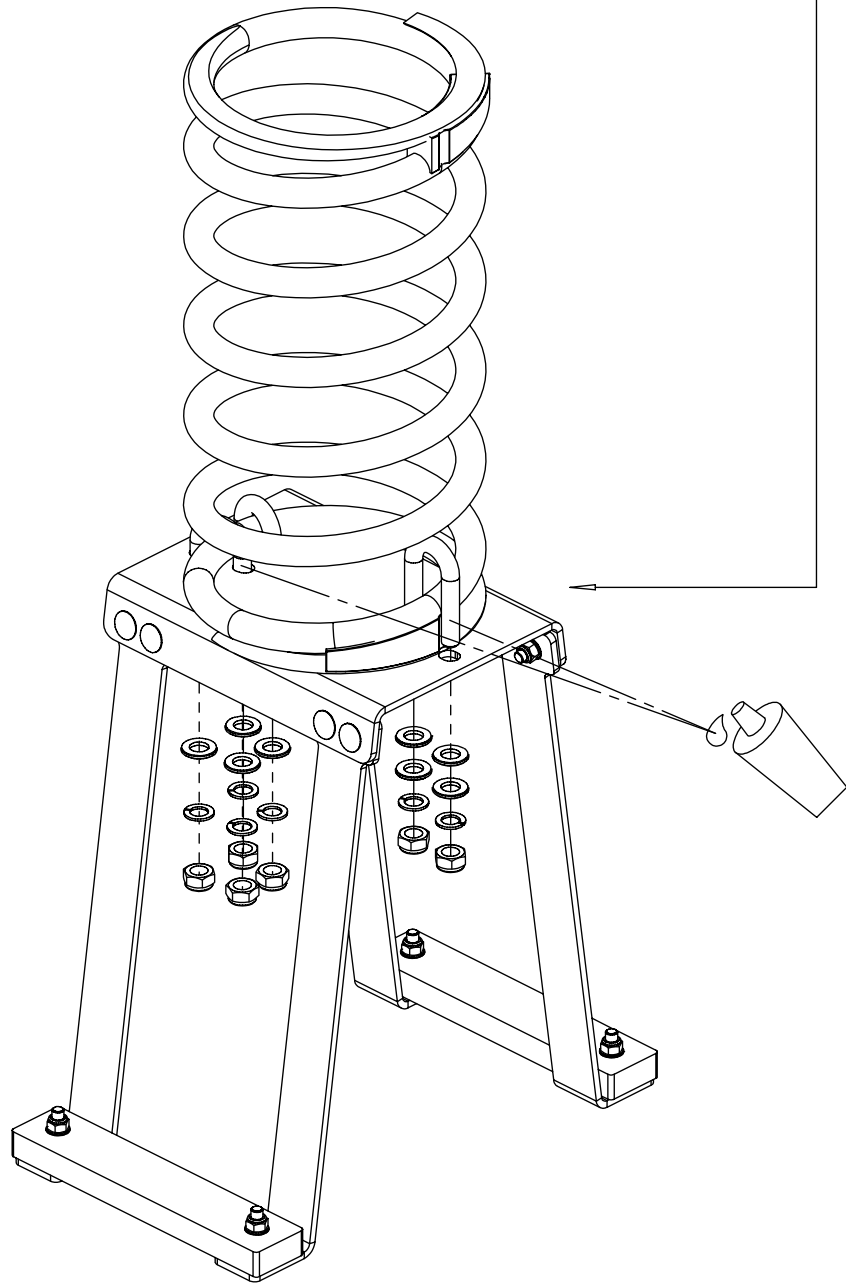
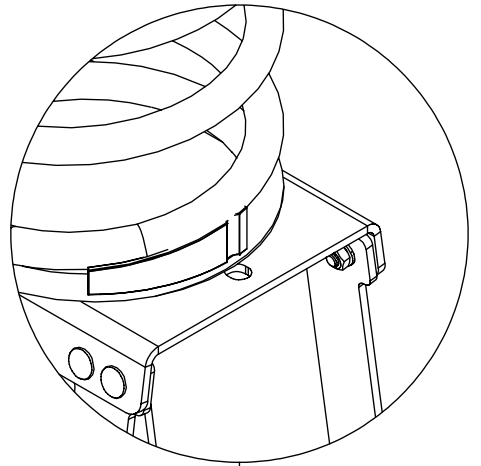
SP1 x1

[cm]

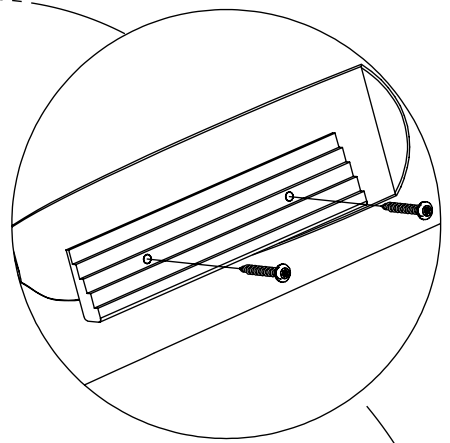
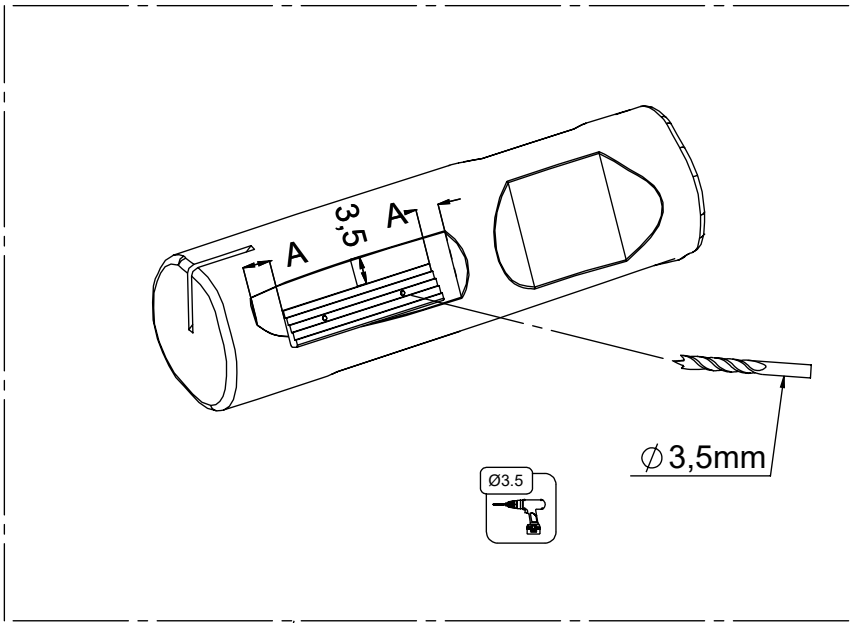




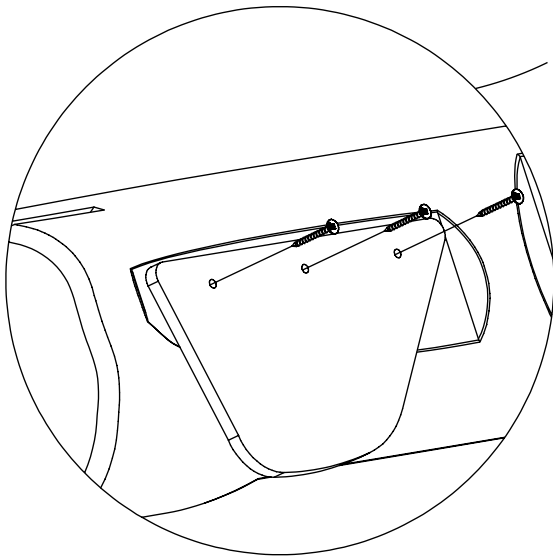
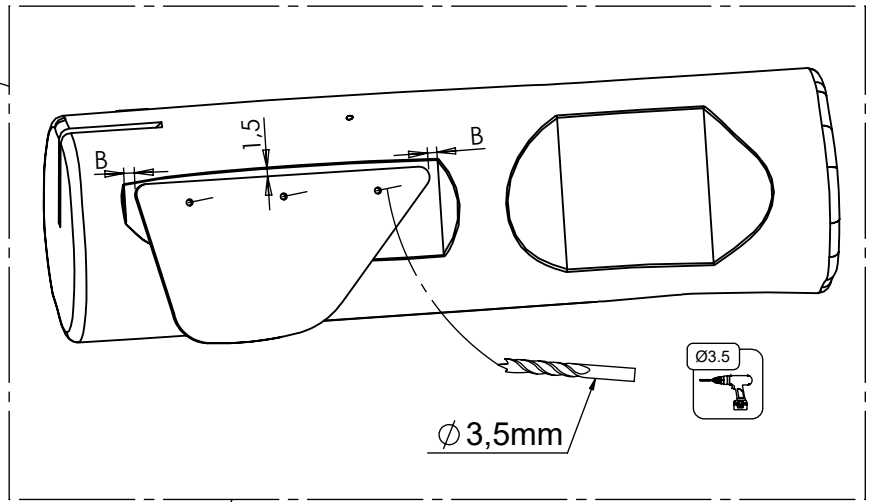
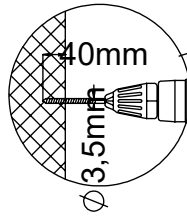
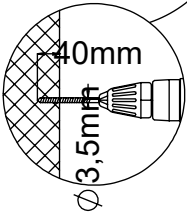
SP2 x1



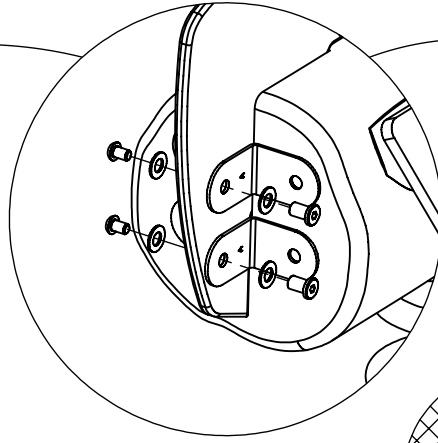
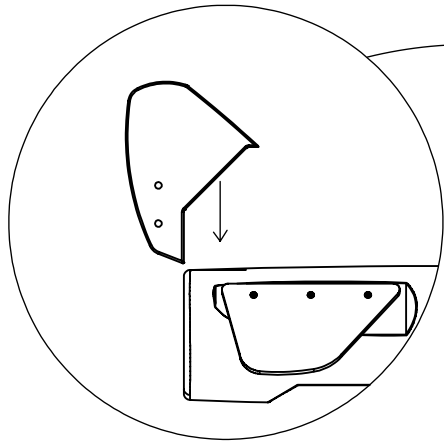




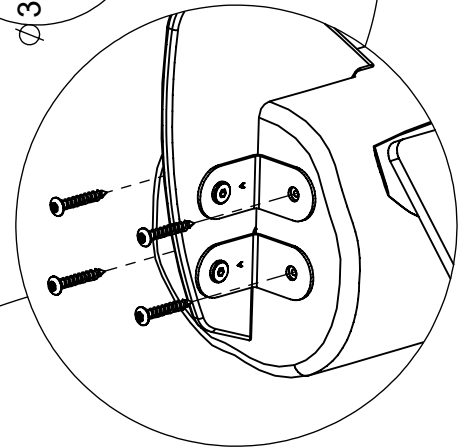
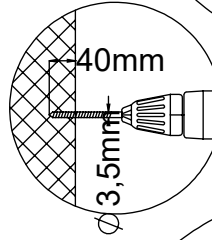
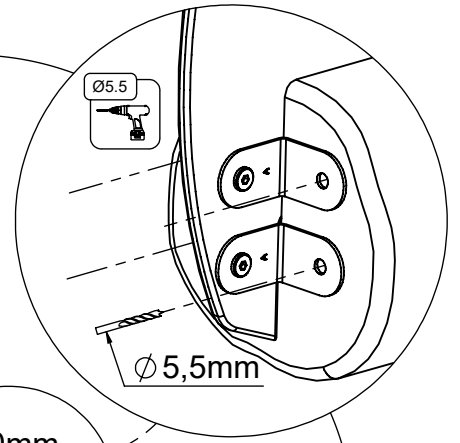
4x 5x50sxs



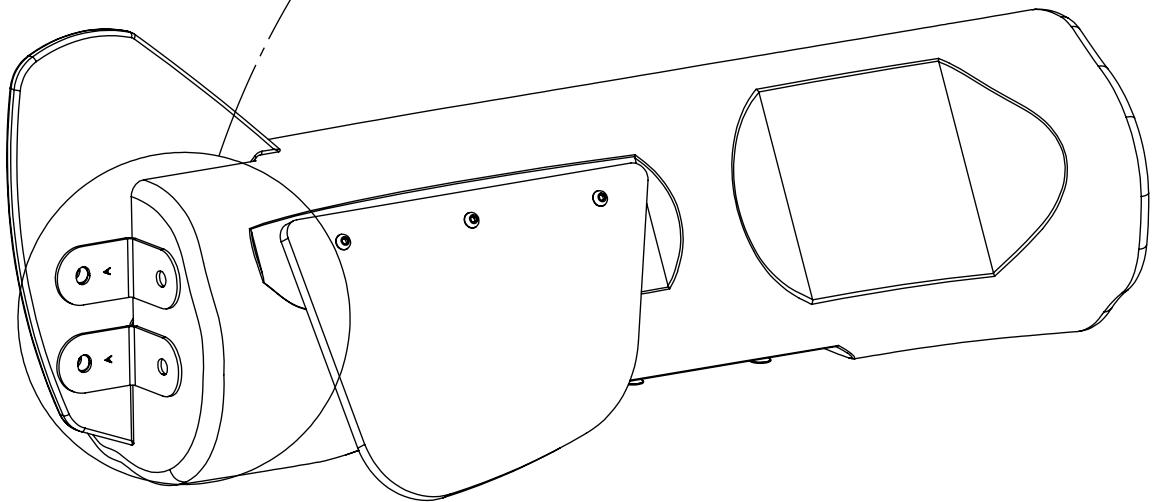
6x 7x35sxi

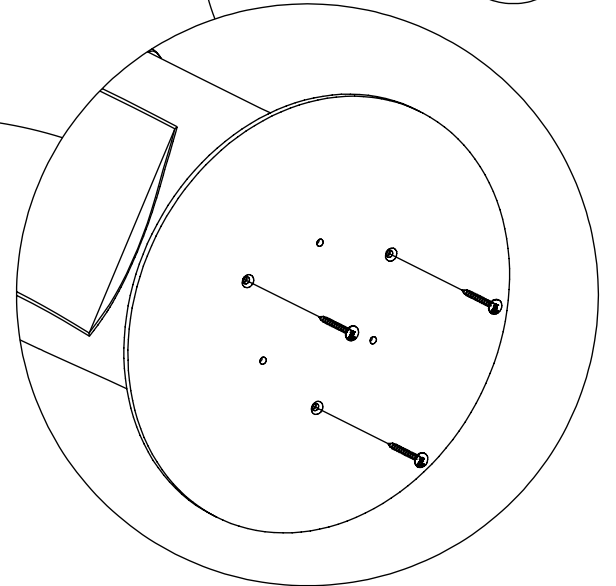
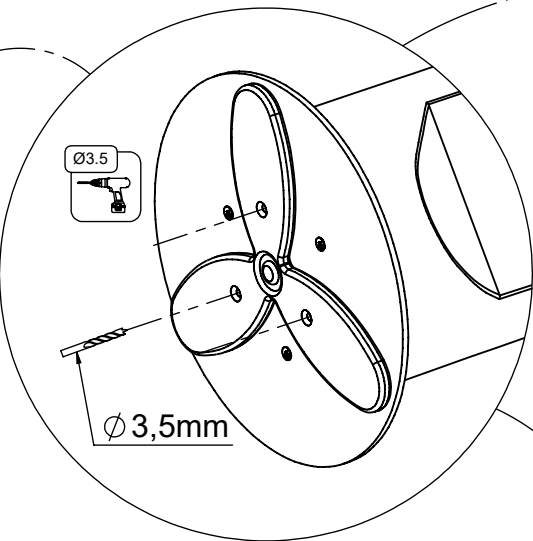
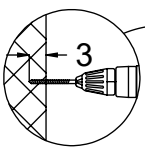
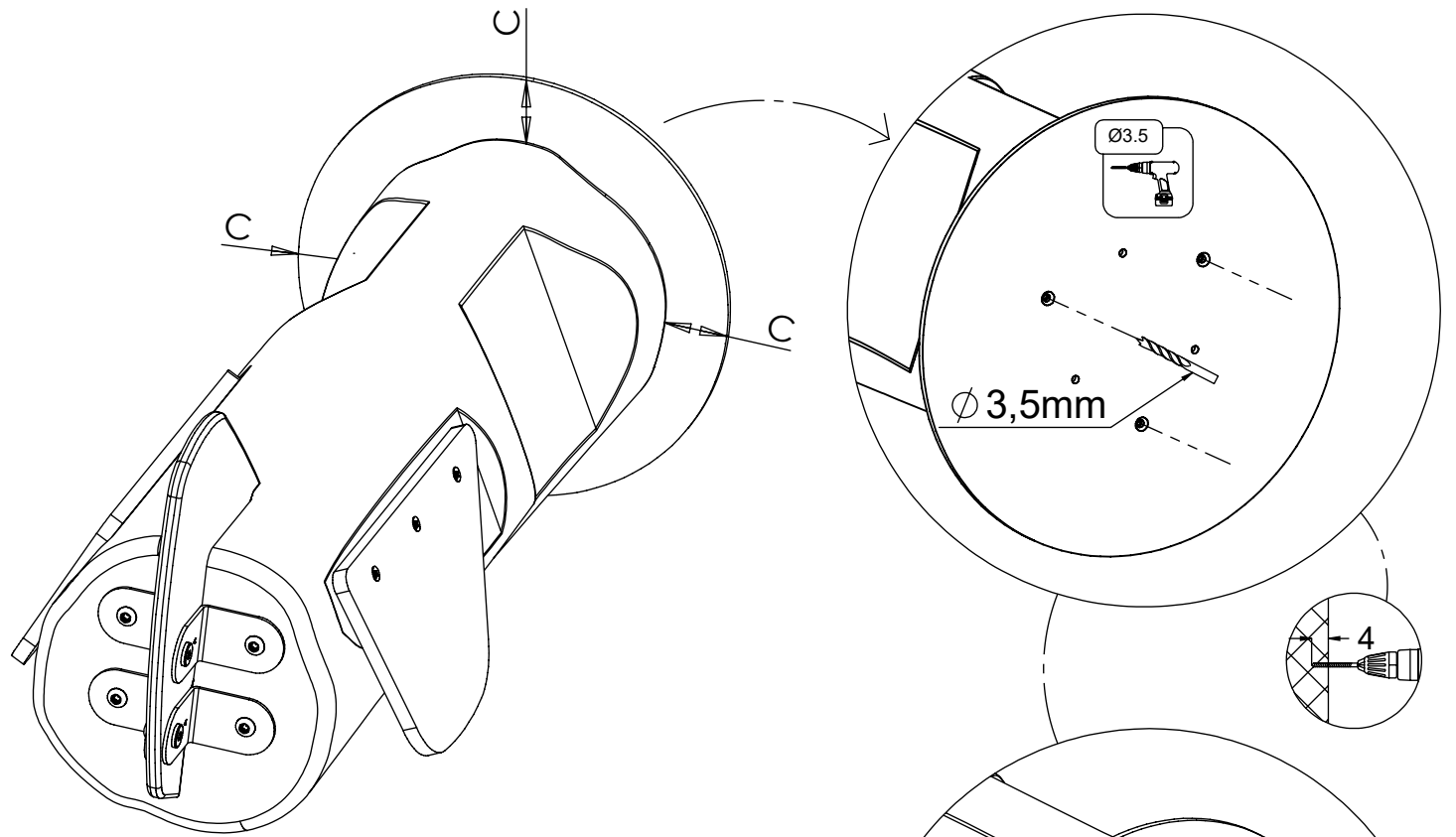


1x 12e067

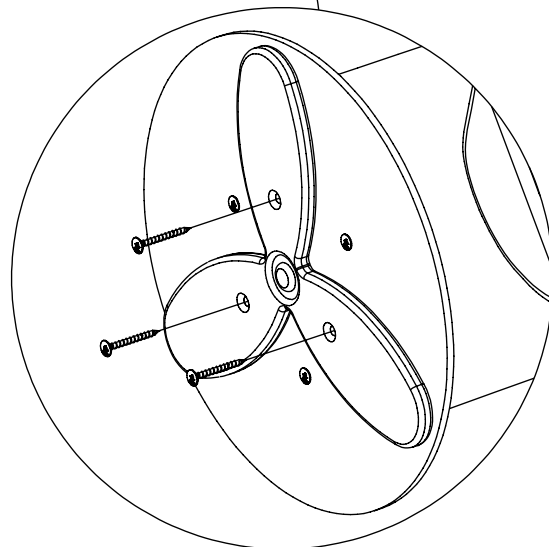


4x 8x50sxi

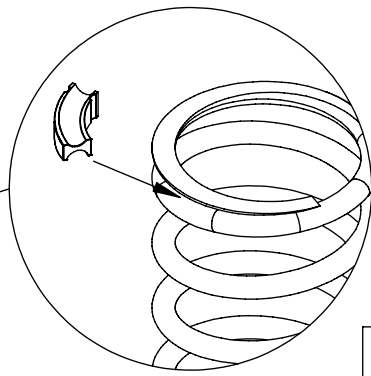
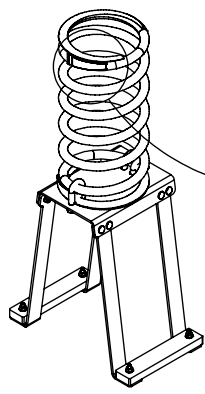




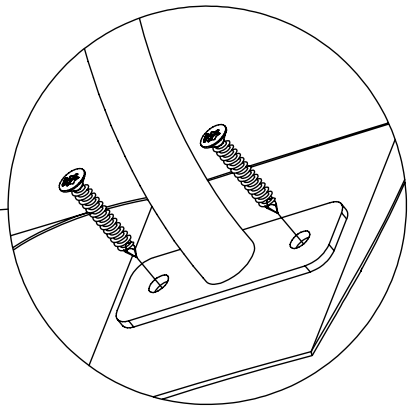
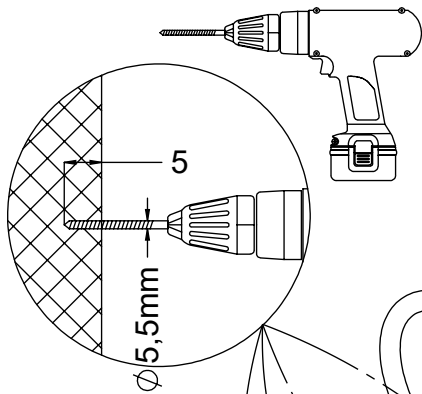
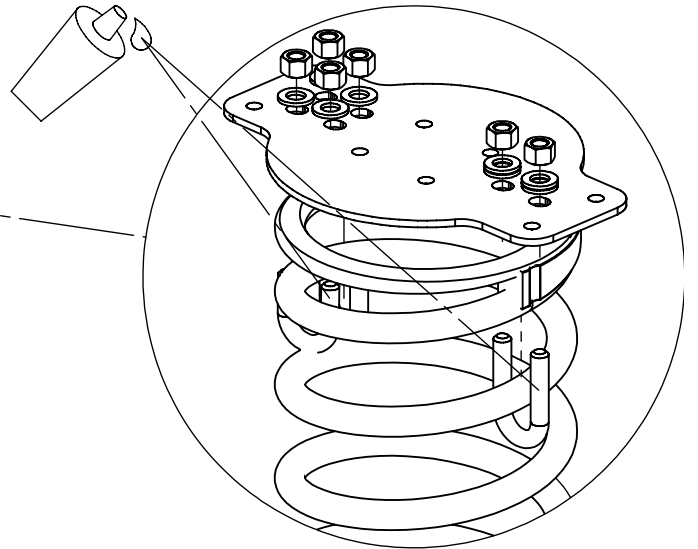
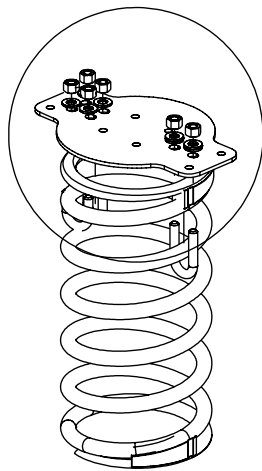
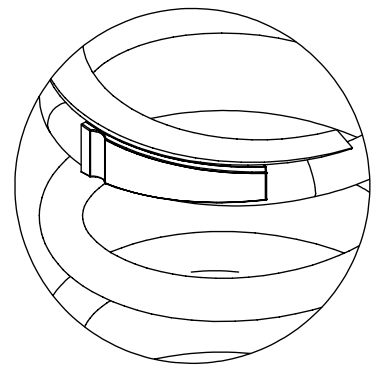
3x 5x50sxs



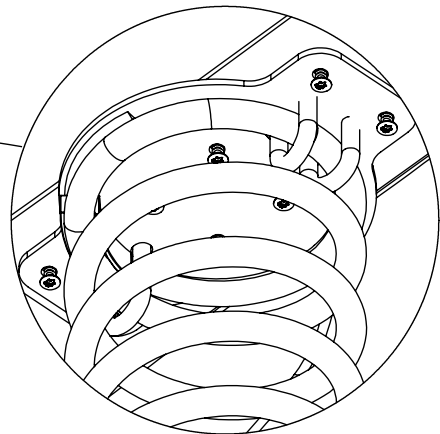
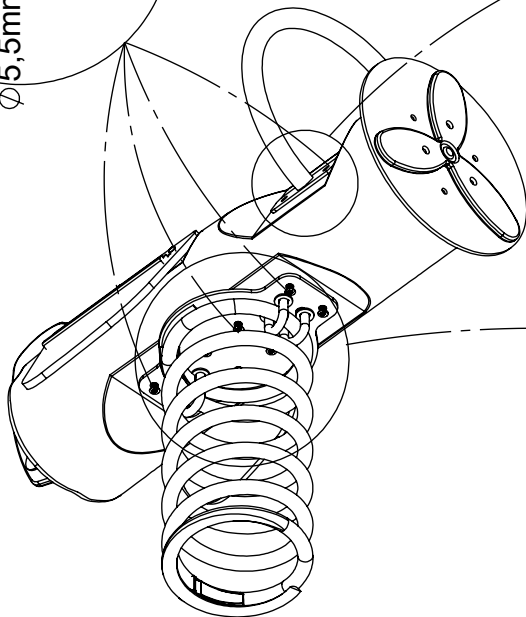
3x 5x80sxs



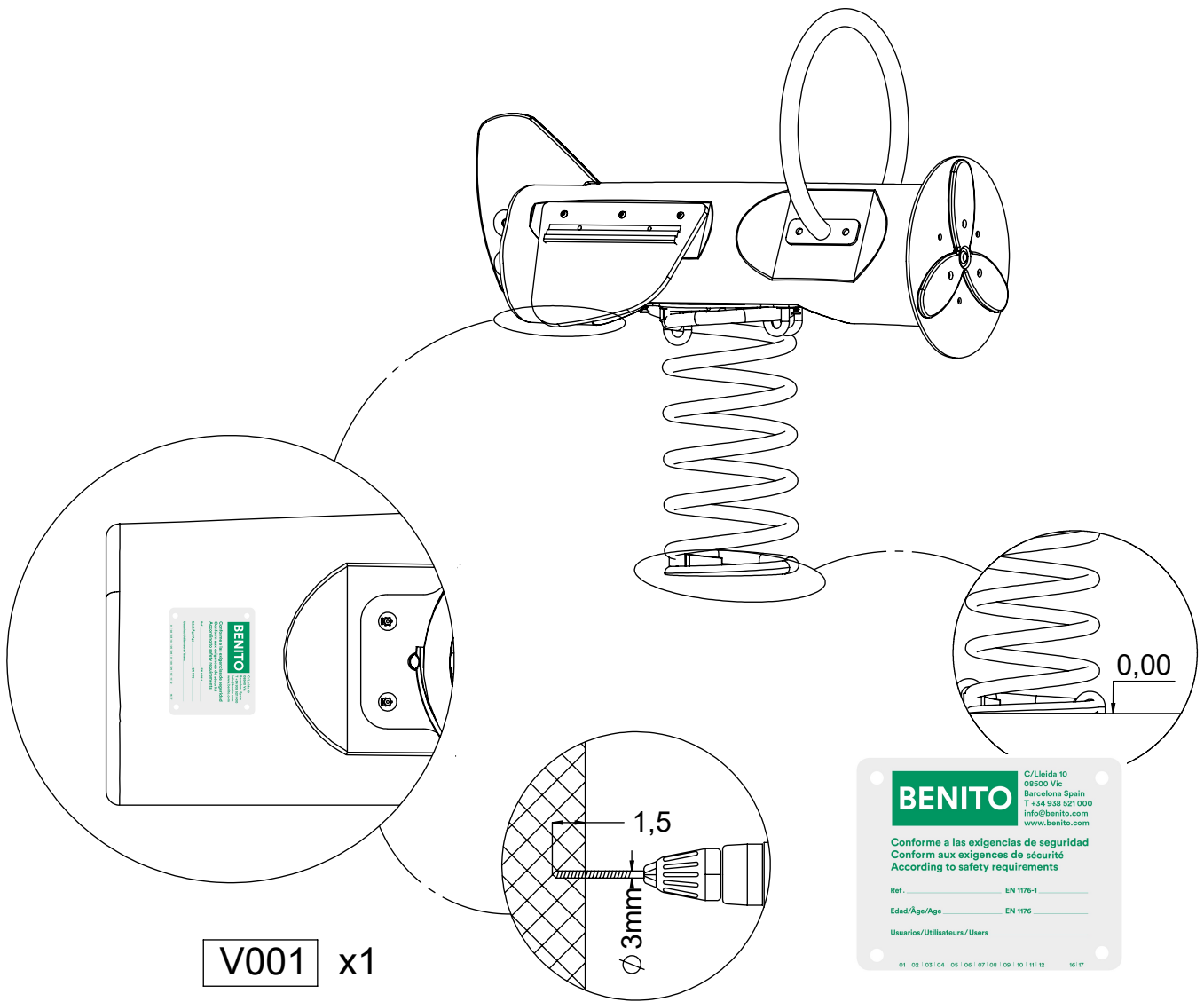
SP2 x1



8x50sxi x12



[cm]



**BENITO** C/ Lleida 10  
08500 Vic  
Barcelona Spain  
T +34 938 521 000  
info@benito.com  
www.benito.com

Conforme a las exigencias de seguridad  
Conform aux exigences de sécurité  
According to safety requirements

Ref. \_\_\_\_\_ EN 1176-1 \_\_\_\_\_

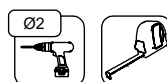
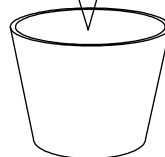
Edad/Âge/Age \_\_\_\_\_ EN 1176 \_\_\_\_\_

Usuarios/Utilisateurs / Users \_\_\_\_\_

01 | 02 | 03 | 04 | 05 | 06 | 07 | 08 | 09 | 10 | 11 | 12 | 16 | 17

**Part No:**  
**000000-**  
**00000**

000000-00000



[mm]