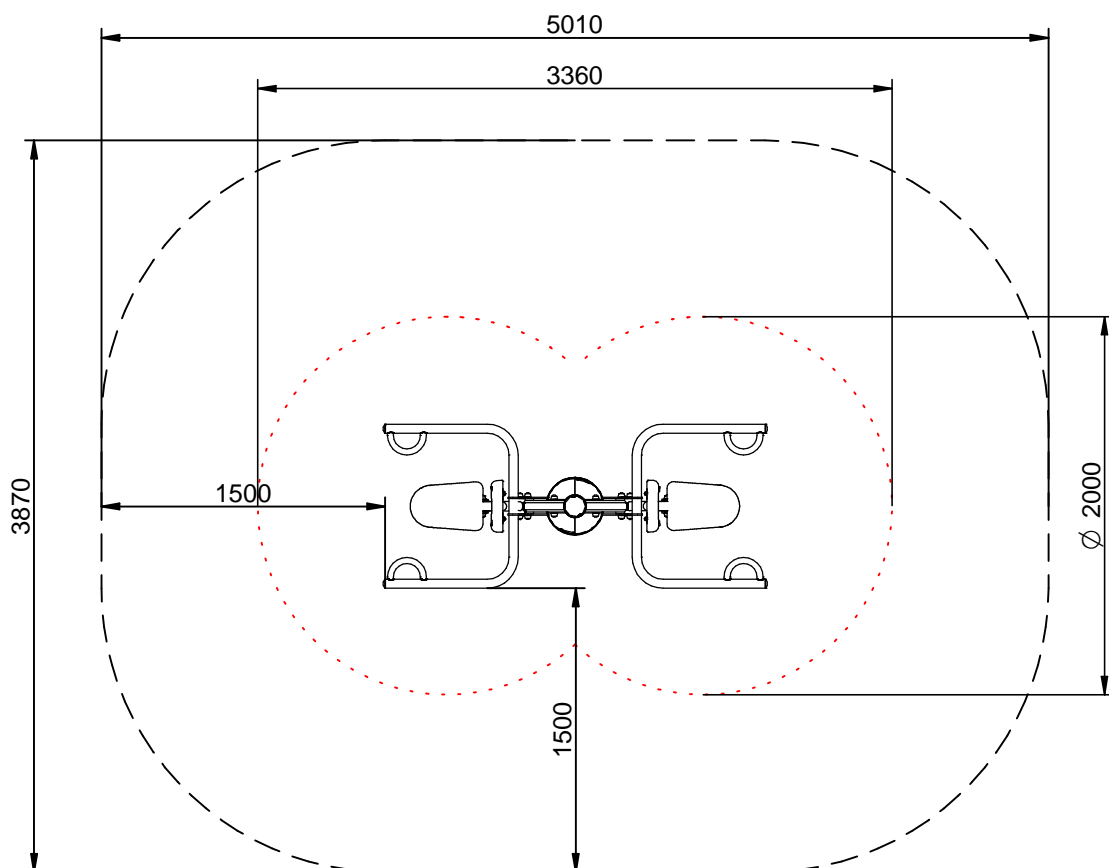
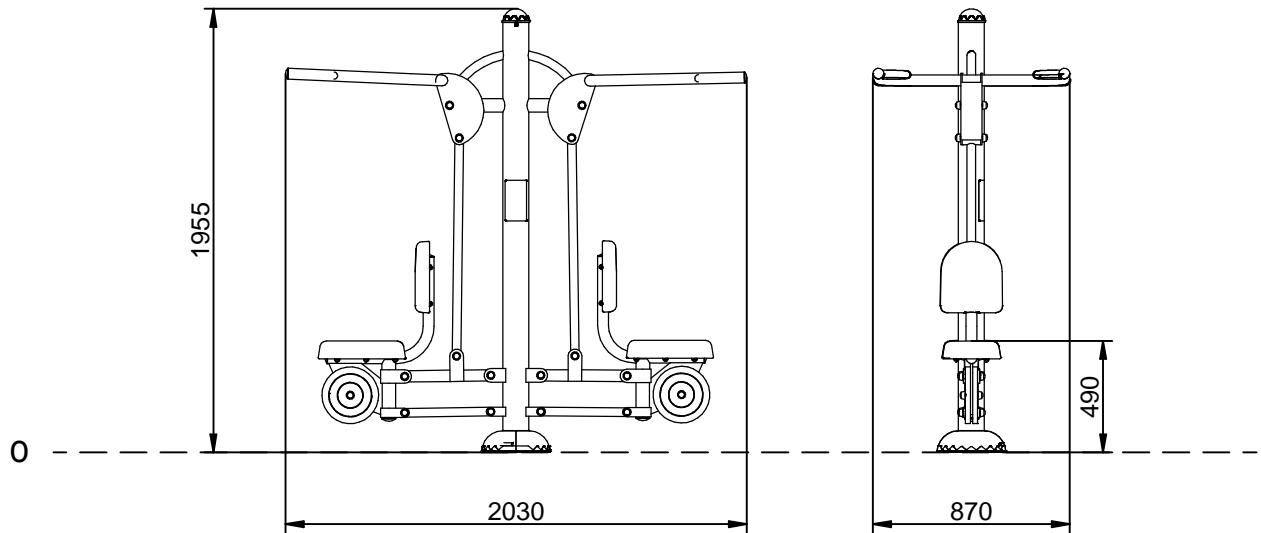


DORSALES | DORSAUX | PULL DOWN | DORSAIS



Stotal = 17,60 m² H= 0,49 m