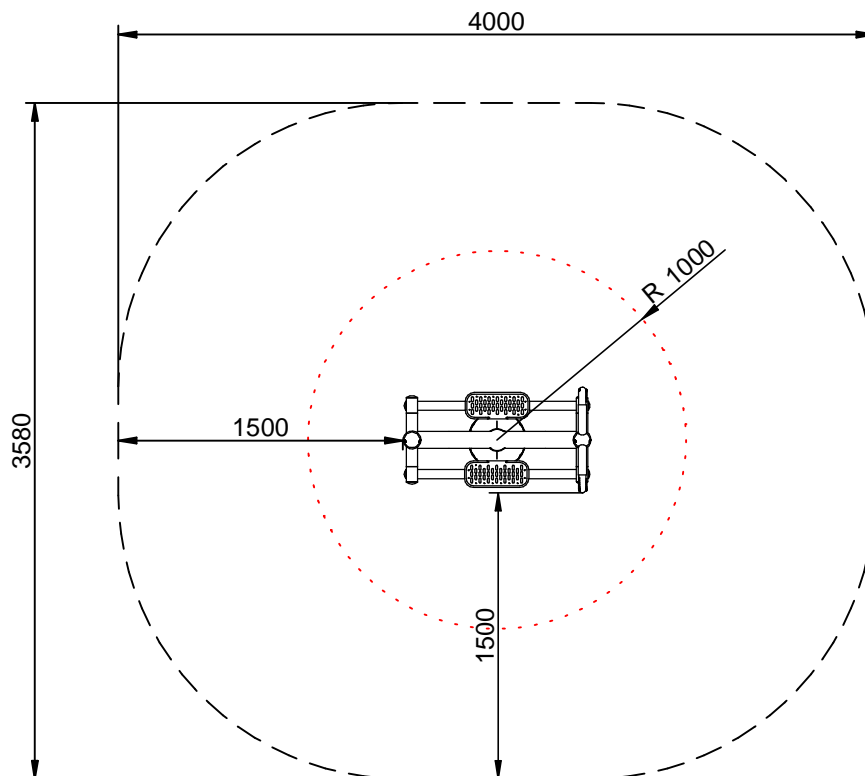
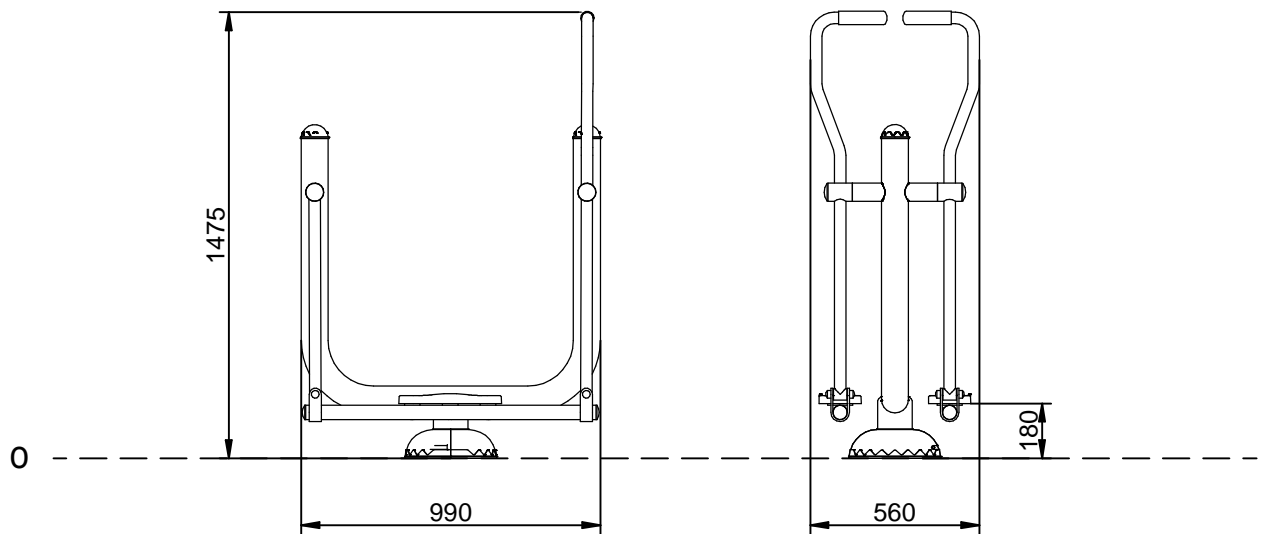


ELIPTICA | ELIPTIC | ELIPTIC | ELIPTICA



Stotal = 12,40 m<sup>2</sup>    H= 0,18 m

V 02.05/03/2018