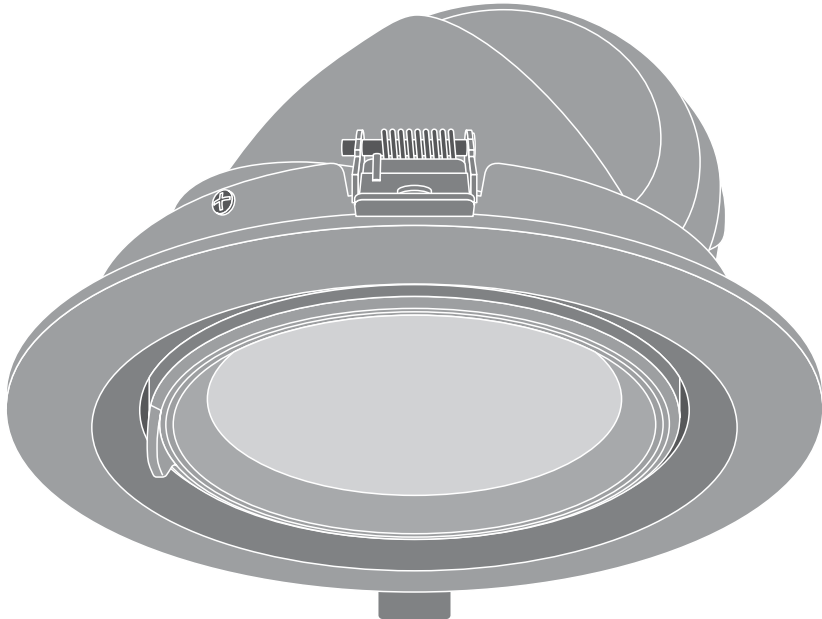
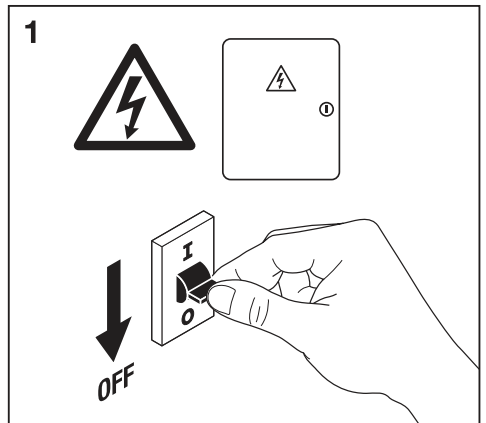
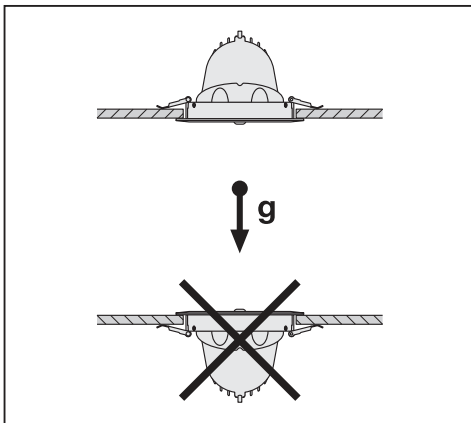
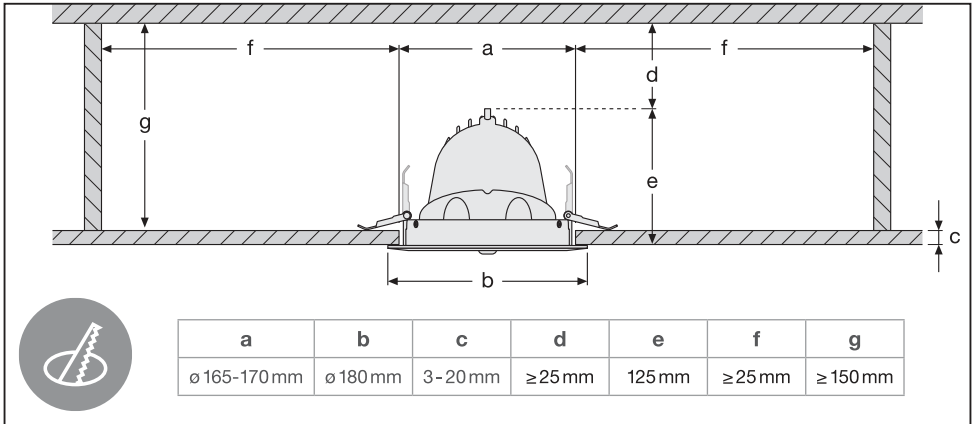
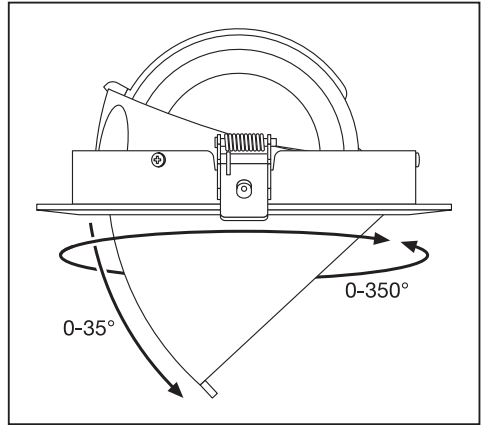
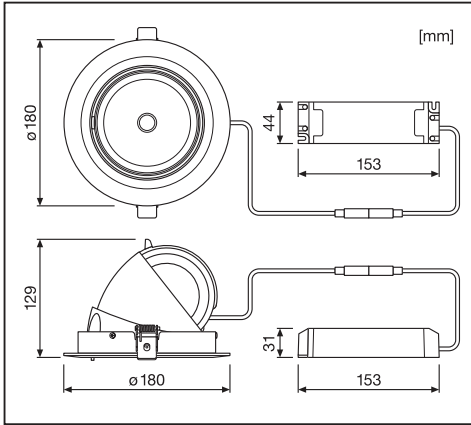
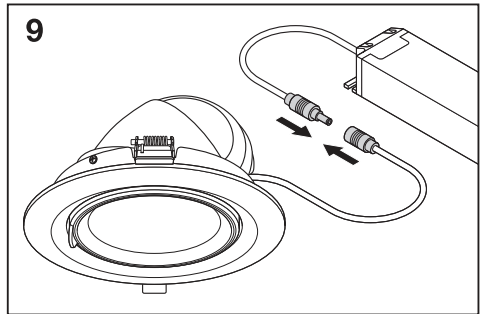
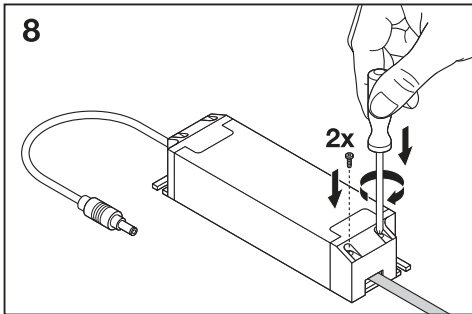
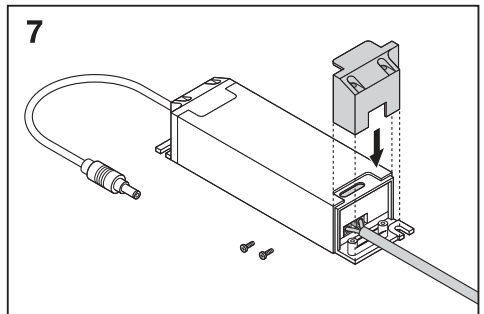
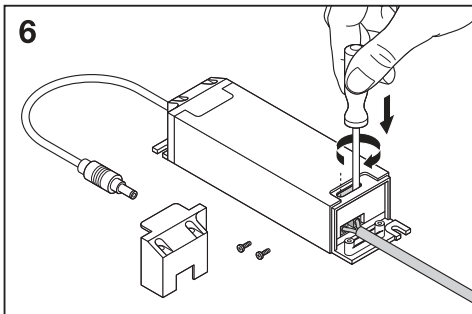
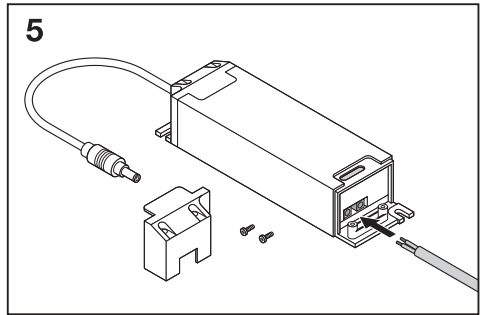
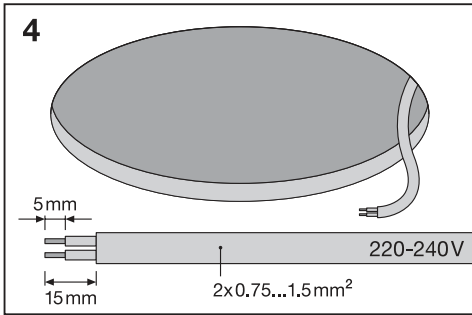
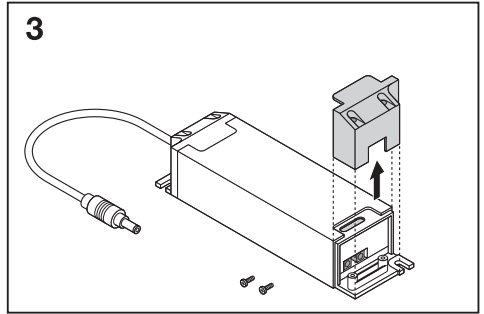
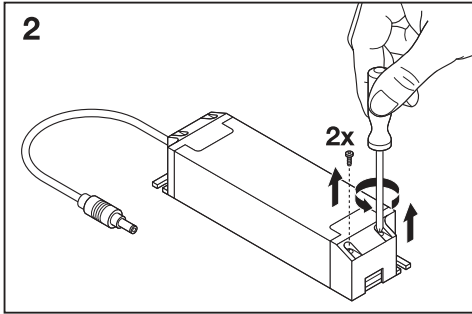

SPOT VARIO

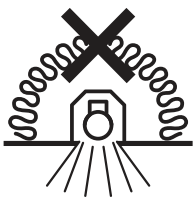
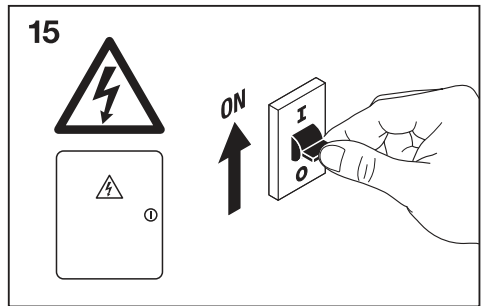
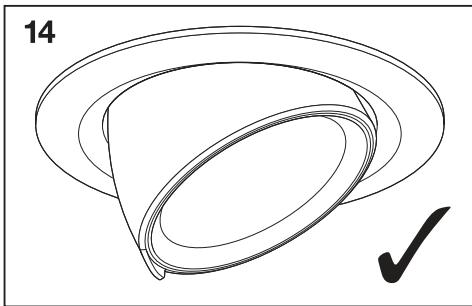
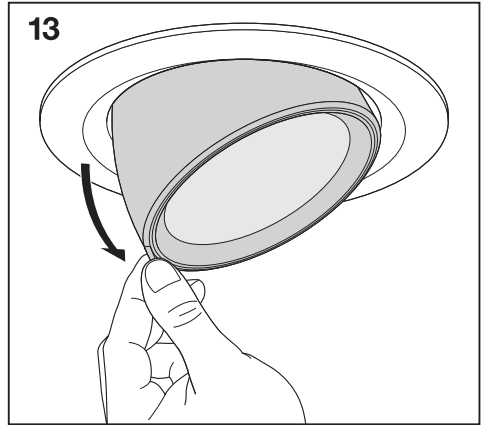
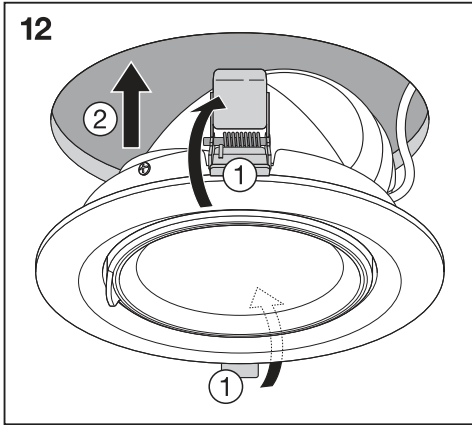
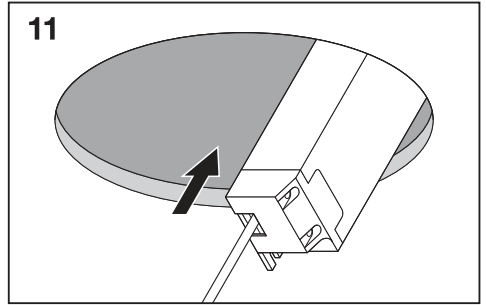
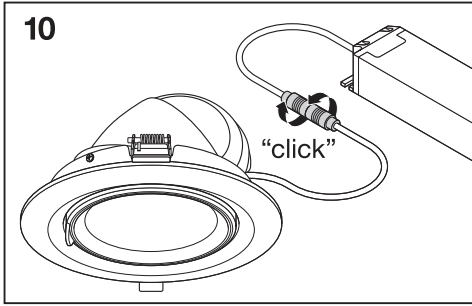


	EAN	Ø x h [mm]	W	lm	lm/W	K	IP	IK
SPOT VARIO DN170	4058075104020	180x129	35	3350	95	3000	20	03
SPOT VARIO DN170	4058075104044	180x129	35	3550	100	4000	20	03

	EAN	°(°C)	V _{AC}	Hz	∇	PF	R _a	👤
SPOT VARIO DN170	4058075104020	-20...+45	220-240V	50/60 Hz	24°	≥ 0.8	>80	1.1 kg
SPOT VARIO DN170	4058075104044	-20...+45	220-240V	50/60 Hz	24°	≥ 0.8	>80	1.1 kg







RoHS



C10449057
G11041264
09.04.18



LEDVANCE GmbH
Steinerne Furt 62
86167 Augsburg, Germany
www.ledvance.com