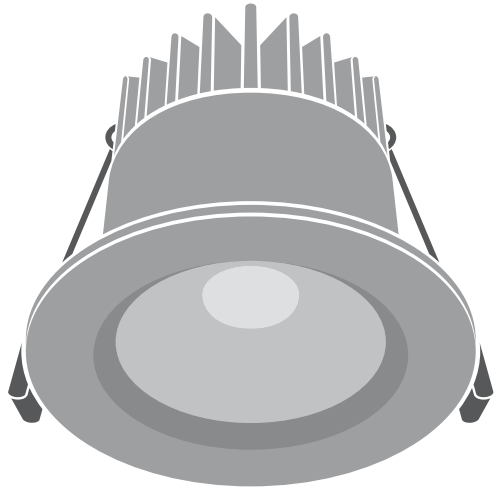
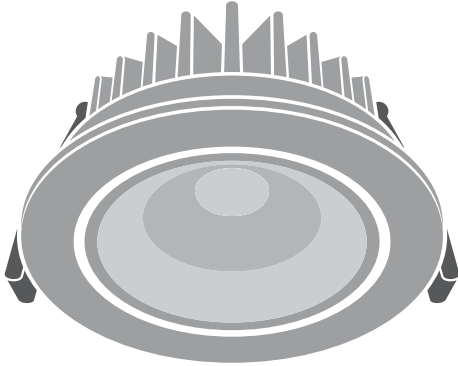


SPOT LED



	EAN	Ø x h [mm]	W	lm	lm/W	K	I ₀ [mA]
Spot LED adjust 4.5W/3000K 230V IP20	4058075126886	80 x 36	4.5	360	80	3000	170mA@27-42V 50V Max.
Spot LED adjust 6.5W/3000K 230V IP20	4058075126909	80 x 36	6.5	550	85	3000	170mA@27-42V 50V Max.
Spot LED adjust 8W/3000K 230V IP20	4058075126848	81 x 51	8	660	85	3000	170mA@27-42V 50V Max.
Spot LED adjust 8W/4000K 230V IP20	4058075126862	81 x 51	8	720	90	4000	170mA@27-42V 50V Max.
Spot-FP LED fix 7W/3000K 230V IP65	4058075127333	90 x 72	7	530	75	3000	170mA@27-42V 50V Max.
Spot-DK LED fix 7W/3000K 230V IP44	4058075127166	70 x 58	7	580	85	3000	170mA@27-42V 50V Max.

	EAN	temp (°C)	V _{AC}	Hz	IP	IK	PF	∠	R _a	⚖️
Spot LED adjust 4.5W/3000K 230V IP20	4058075126886	-20...+45	220-240V	50/60 Hz	20	06	≥ 0.9	36°	>80	0.2 kg
Spot LED adjust 6.5W/3000K 230V IP20	4058075126909	-20...+45	220-240V	50/60 Hz	20	06	≥ 0.9	36°	>80	0.2 kg
Spot LED adjust 8W/3000K 230V IP20	4058075126848	-20...+45	220-240V	50/60 Hz	20	06	≥ 0.9	36°	>80	0.2 kg
Spot LED adjust 8W/4000K 230V IP20	4058075126862	-20...+45	220-240V	50/60 Hz	20	06	≥ 0.9	36°	>80	0.2 kg
Spot-FP LED fix 7W/3000K 230V IP65	4058075127333	-20...+45	220-240V	50/60 Hz	65/20	06	≥ 0.9	38°	>80	0.3 kg
Spot-DK LED fix 7W/3000K 230V IP44	4058075127166	-20...+45	220-240V	50/60 Hz	44/20	06	≥ 0.9	36°	>80	0.2 kg

1a

	Ø
SPOT LED adjust 4.5 W 3000 K	68 mm
SPOT LED adjust 6.5 W 3000 K	68 mm
SPOT LED adjust 8 W 3000 K	83 mm
SPOT LED adjust 8 W 4000 K	83 mm

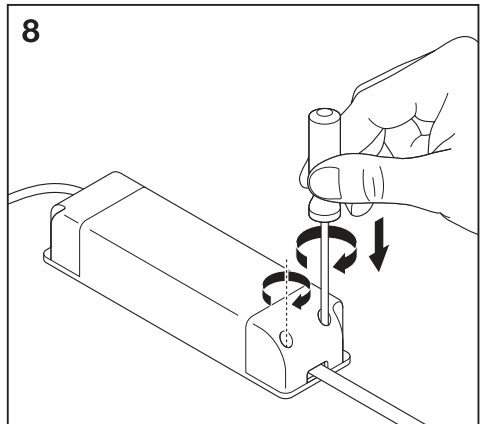
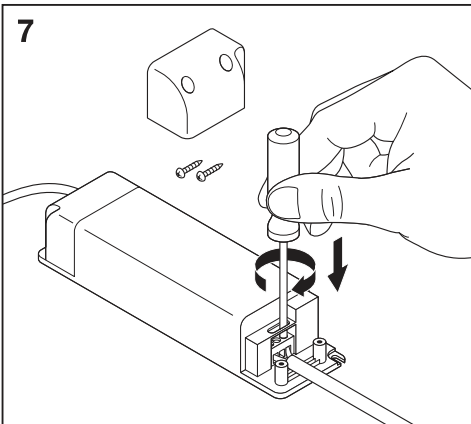
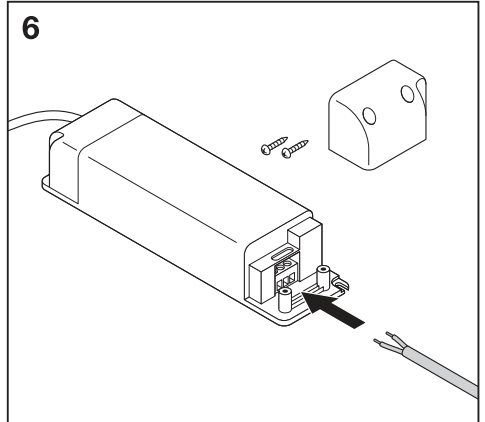
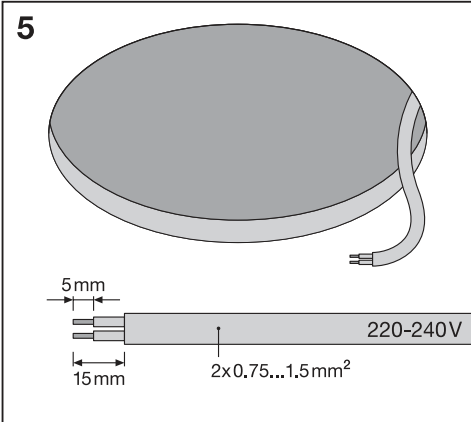
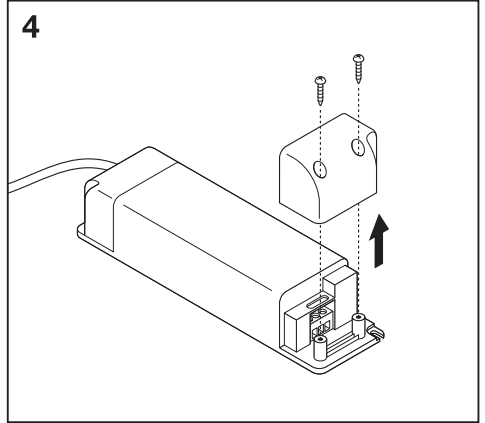
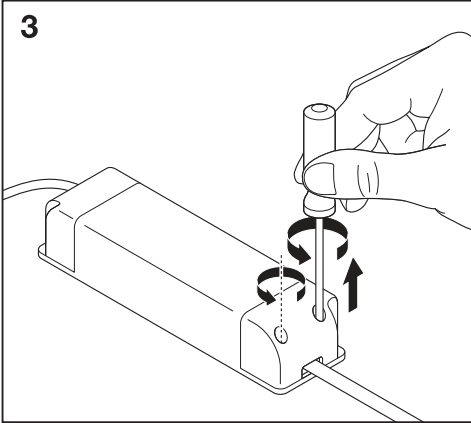
1b

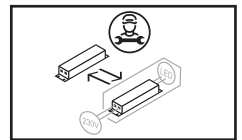
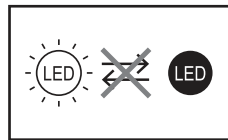
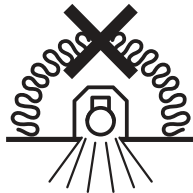
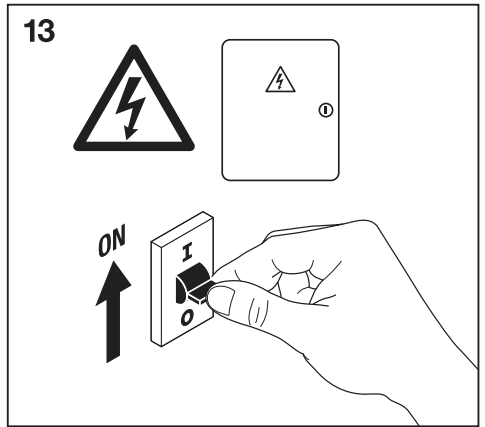
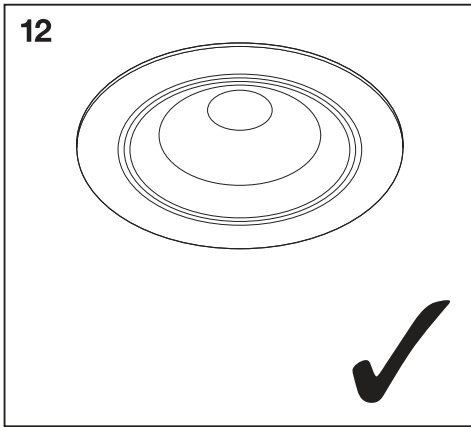
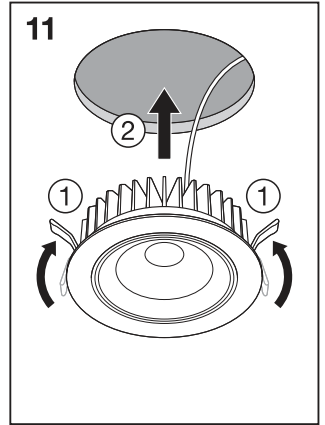
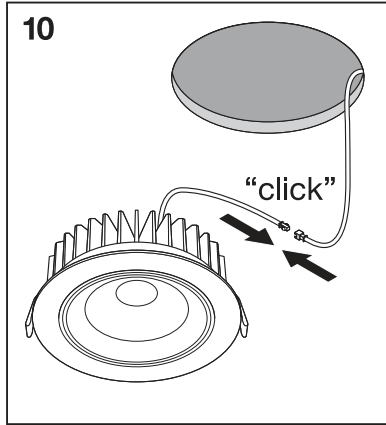
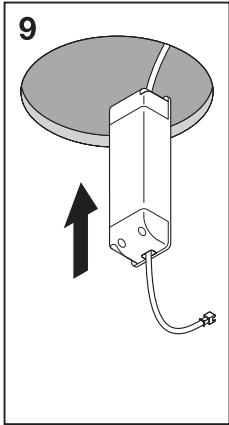
	Ø
SPOT-FP LED 7 W 3000 K	68 mm

1c

	Ø
SPOT-DK LED 7 W 3000 K	63 mm

2





C10449057
G11034657V2
26.03.21



LEDVANCE GmbH
Steinerne Furt 62
86167 Augsburg, Germany
www.ledvance.com