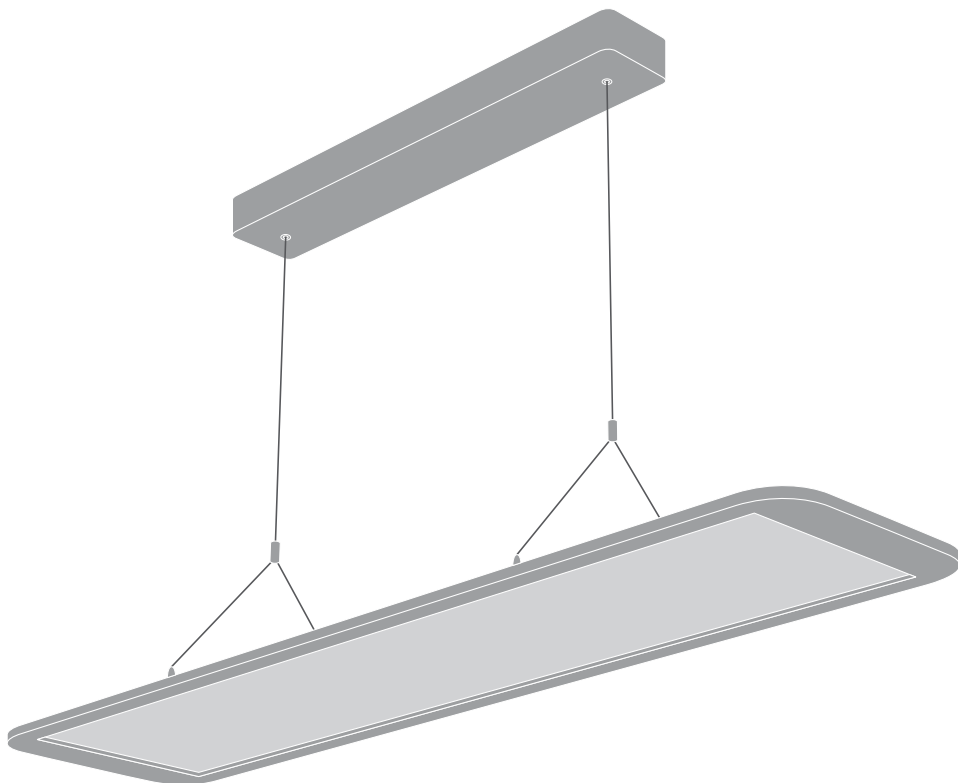
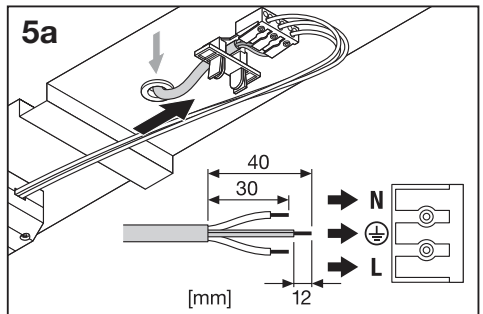
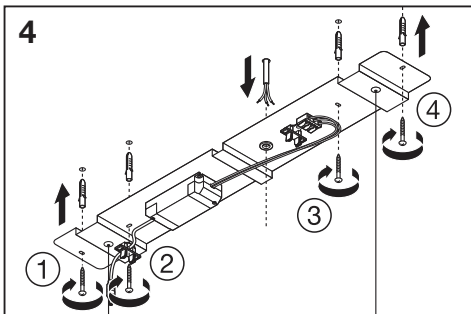
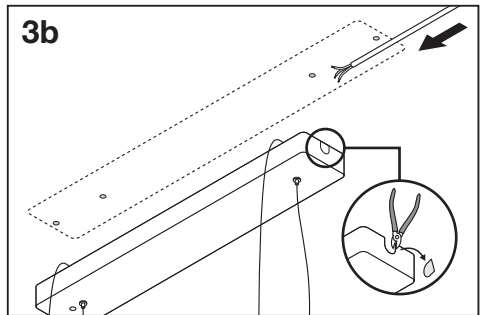
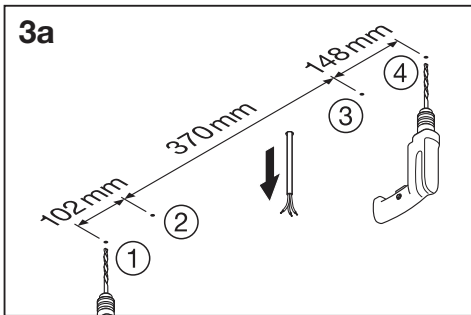
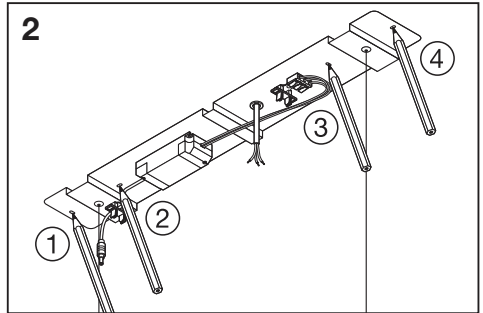
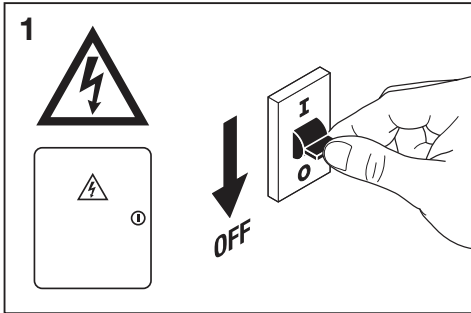
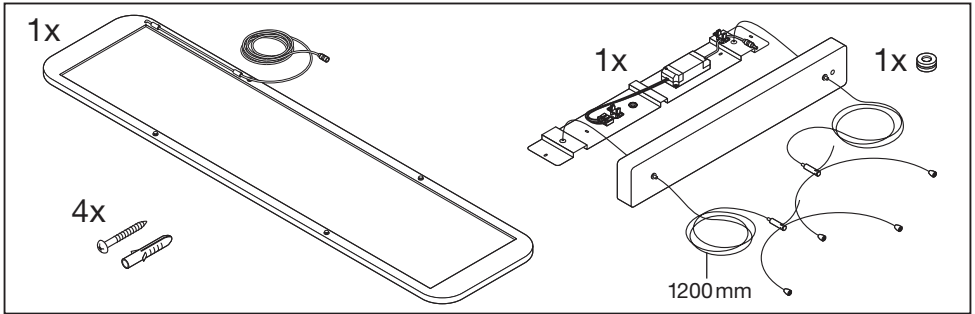


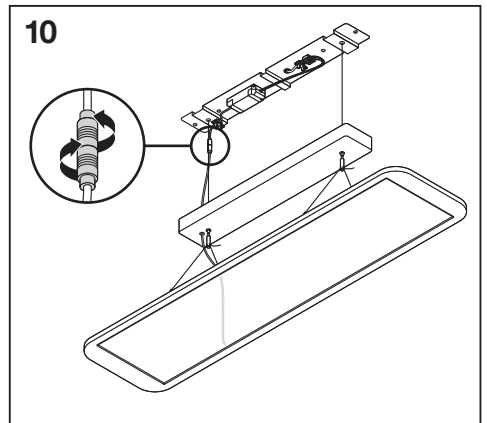
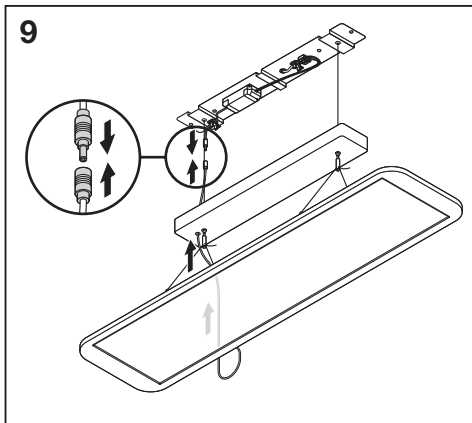
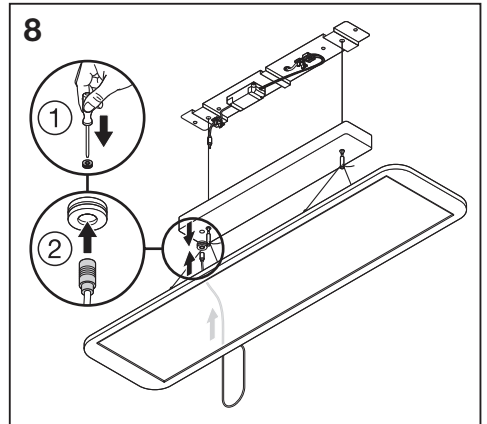
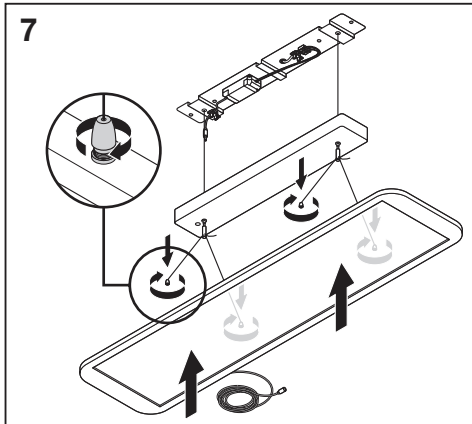
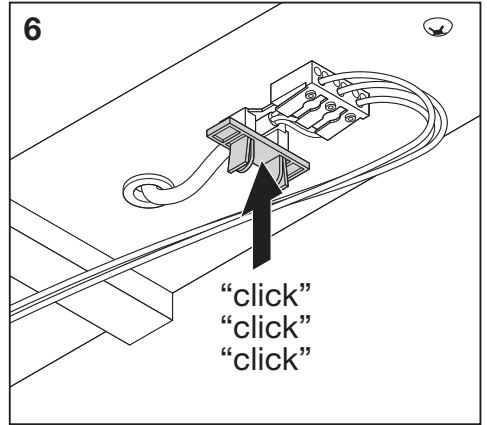
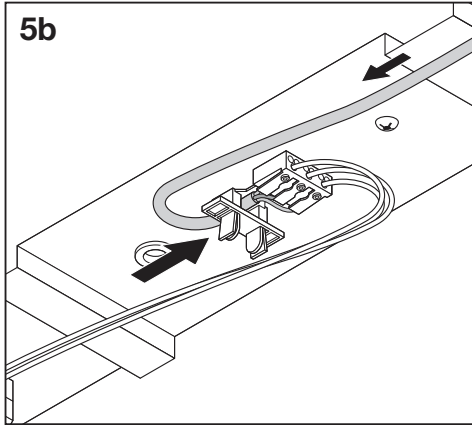
PANEL DIRECT/INDIRECT 1200 UGR < 19

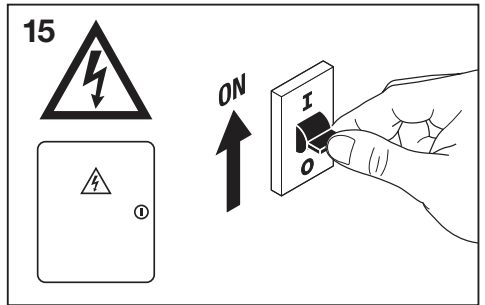
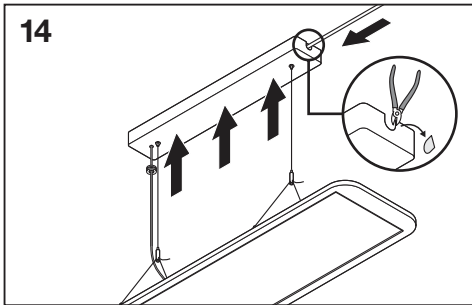
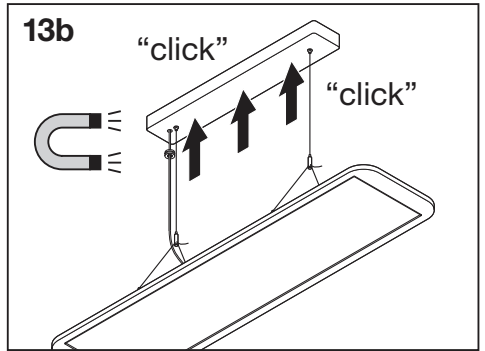
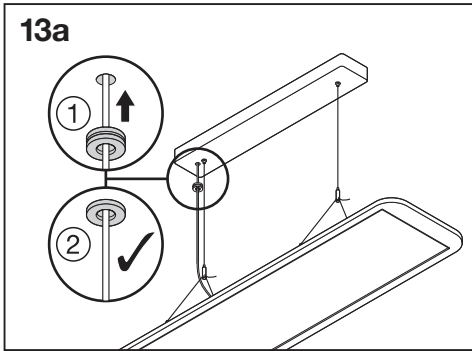
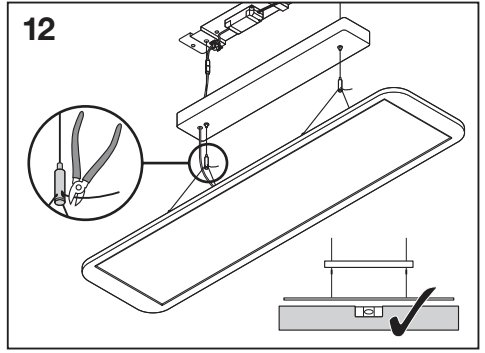
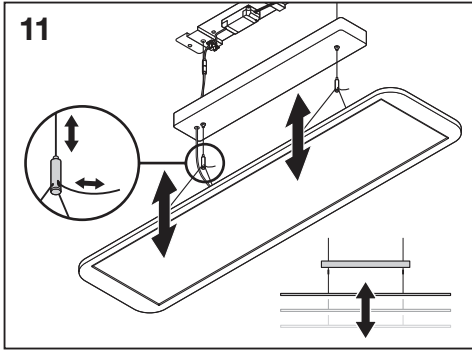


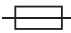


	EAN	l x w x h [mm]	W	lm	lm/W	K	IP	IK
PANEL D/I 1200 36W/3000K UGR19	4058075144606	1200x300x16	36	3800	105	3000	20	03
PANEL D/I 1200 36W/4000K UGR19	4058075144620	1200x300x16	36	4000	110	4000	20	03

	EAN	°C	V _{AC}	Hz	∇	PF	R _a	👤
PANEL D/I 1200 36W/3000K UGR19	4058075144606	-20...+45	220-240V	50/60 Hz	110°/110°	> 0.9	≥ 80	3.5 kg
PANEL D/I 1200 36W/4000K UGR19	4058075144620	-20...+45	220-240V	50/60 Hz	110°/110°	> 0.9	≥ 80	3.5 kg







C10A 	B16A 	C16A 
34	55	55





 ENEC RoHS



C10449057
 G11088708
 03.12.19



LEDVANCE GmbH
 Steinerne Furt 62
 86167 Augsburg, Germany
www.ledvance.com