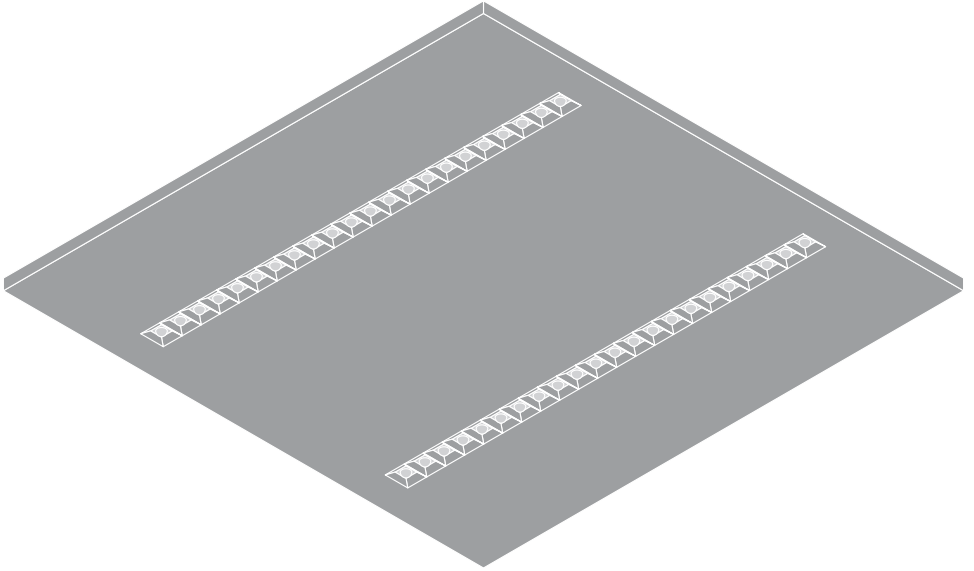
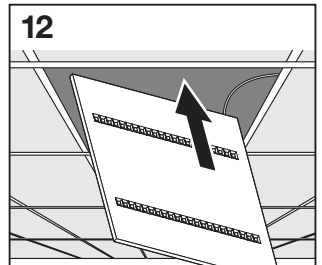
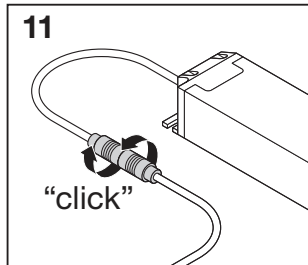
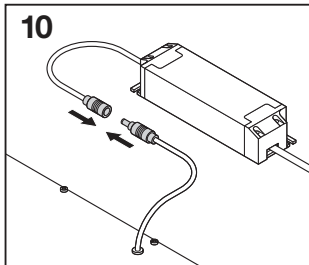
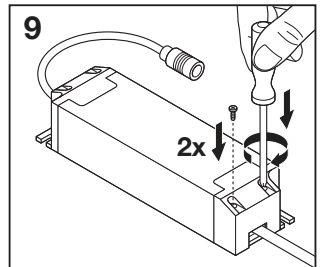
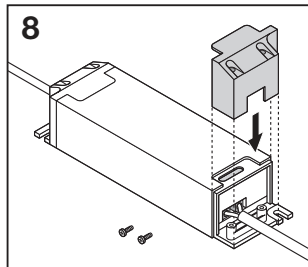
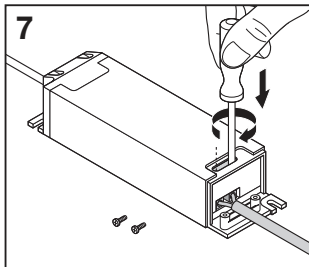
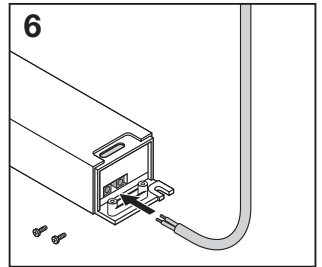
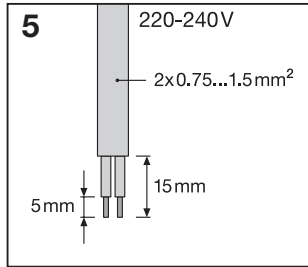
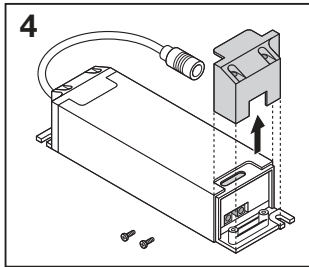
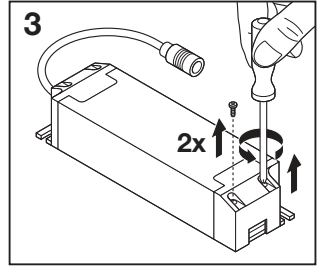
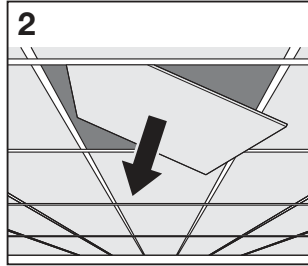
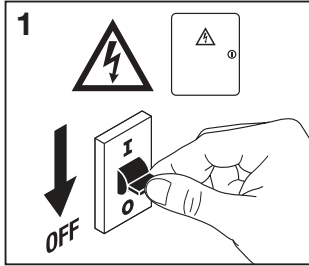
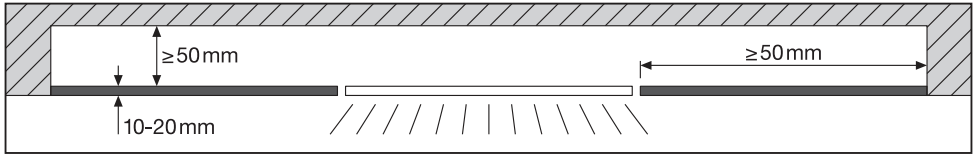


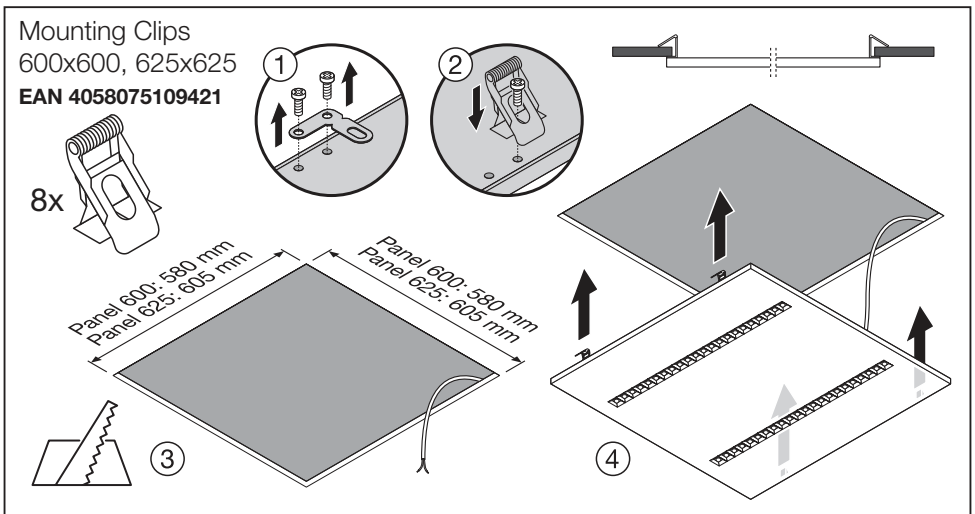
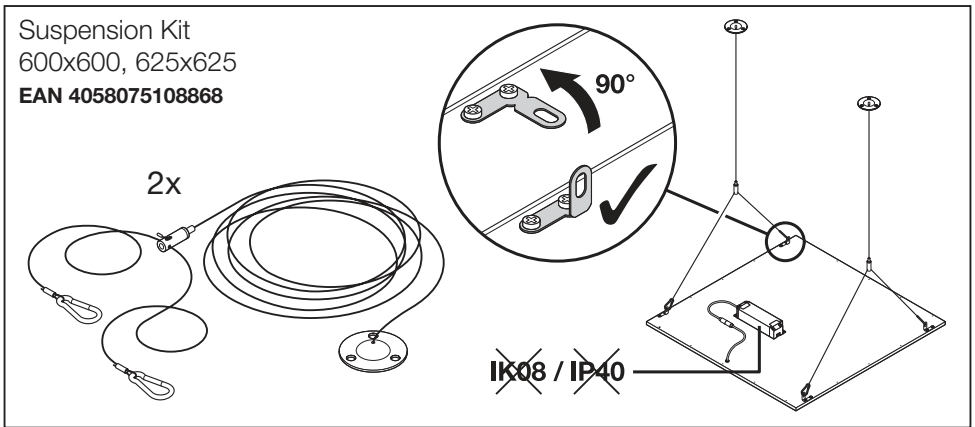
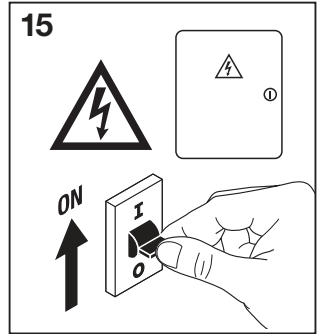
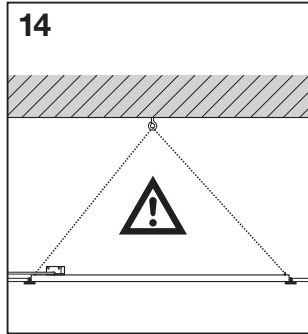
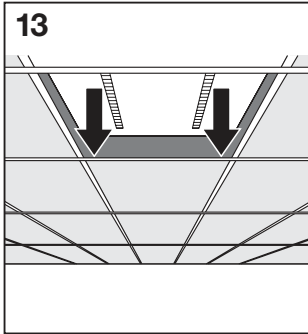
PANEL IndiviLED® 600/625



	EAN	l x w x h [mm]	W	lm	lm/W	K	IP	IK
PANEL INDV 600 33W/3000K	4058075201132	595 x 595 x 13	33	3800	115	3000	40	08
PANEL INDV 600 33W/4000K	4058075201156	595 x 595 x 13	33	4000	120	4000	40	08
PANEL INDV 625 33W/3000K	4058075201170	620 x 620 x 13	33	3800	115	3000	40	08
PANEL INDV 625 33W/4000K	4058075201194	620 x 620 x 13	33	4000	120	4000	40	08

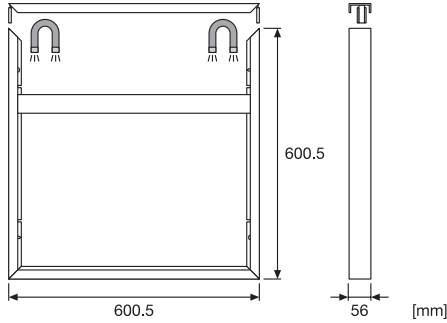
	EAN	⊖ (°C)	V _{AC}	Hz	∠	PF	R _a	👤
PANEL INDV 600 33W/3000K	4058075201132	-20...+45	220-240 V	50/60 Hz	70°	> 0.9	≥80	3.5 kg
PANEL INDV 600 33W/4000K	4058075201156	-20...+45	220-240 V	50/60 Hz	70°	> 0.9	≥80	3.5 kg
PANEL INDV 625 33W/3000K	4058075201170	-20...+45	220-240 V	50/60 Hz	70°	> 0.9	≥80	3.6 kg
PANEL INDV 625 33W/4000K	4058075201194	-20...+45	220-240 V	50/60 Hz	70°	> 0.9	≥80	3.6 kg





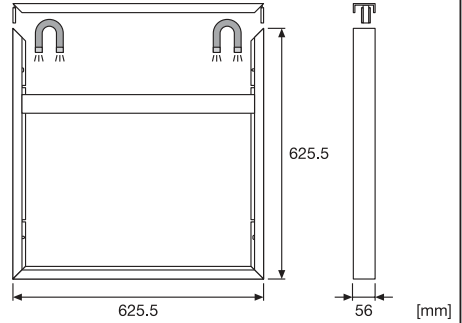
Surface Mount Kit 600x600

EAN 4058075108769



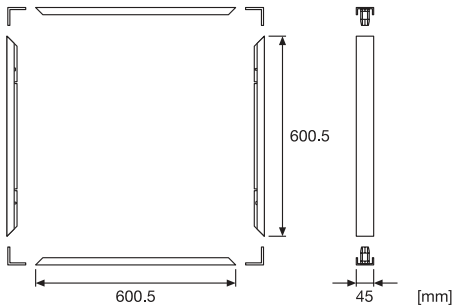
Surface Mount Kit 625x625

EAN 4058075108783



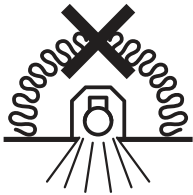
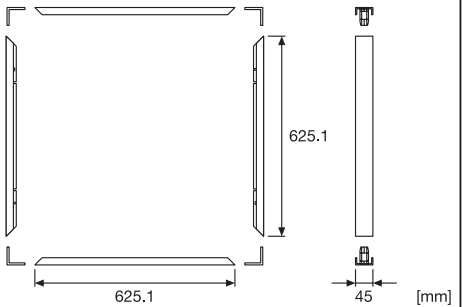
Surface Mount Kit Value 600x600

EAN 4058075075795



Surface Mount Kit Value 625x625

EAN 4058075091412



RoHS



C10449057

G11052444

31.08.18



LEDVANCE GmbH
 Steinerne Furt 62
 86167 Augsburg, Germany
www.ledvance.com