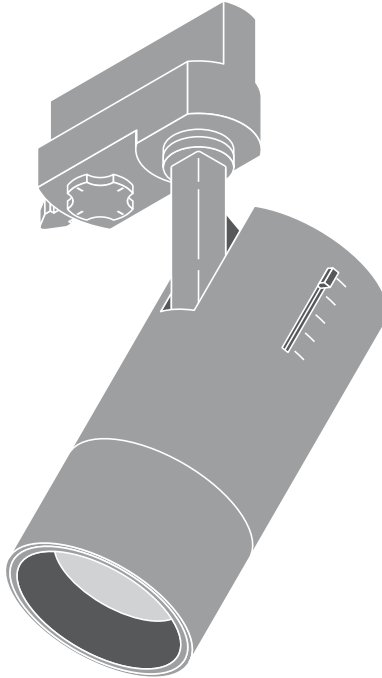


---

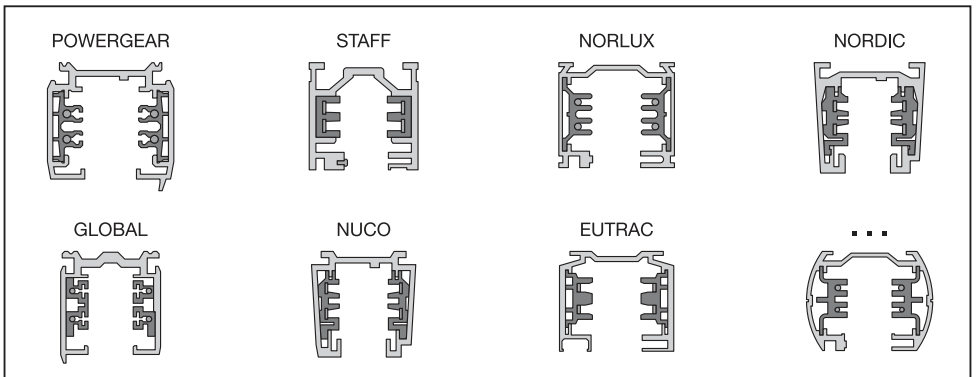
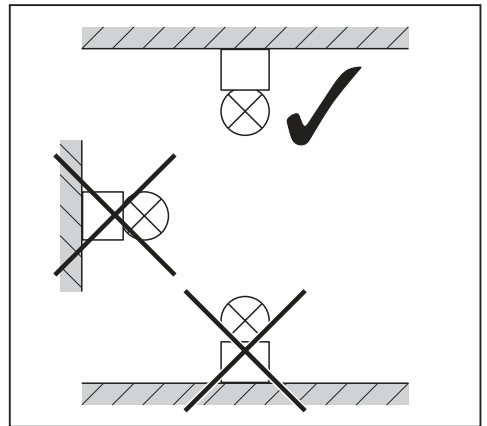
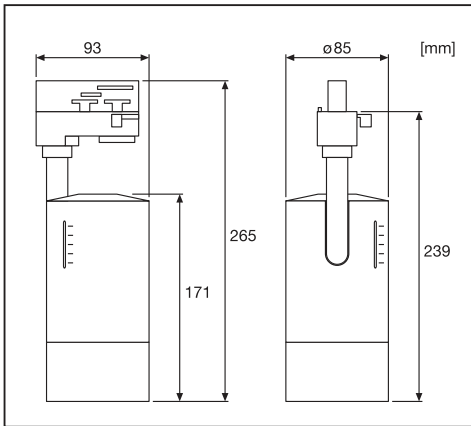
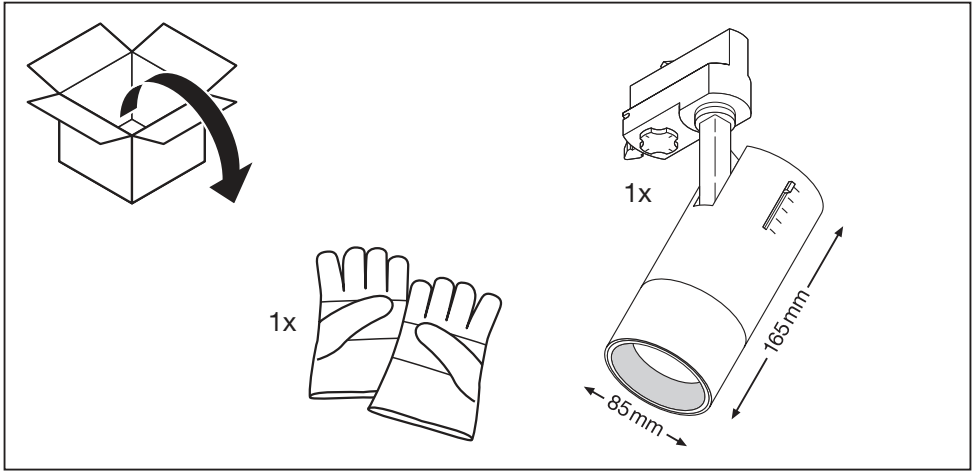
## TRACKLIGHT SPOT ZOOM D85

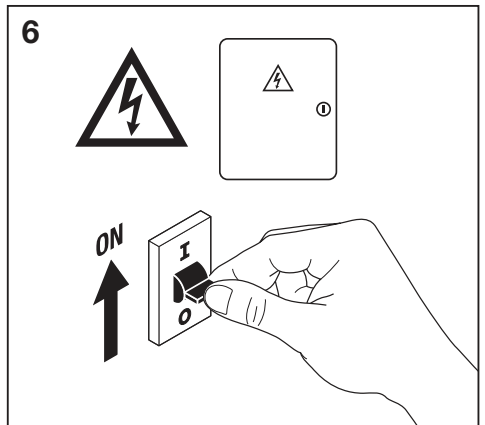
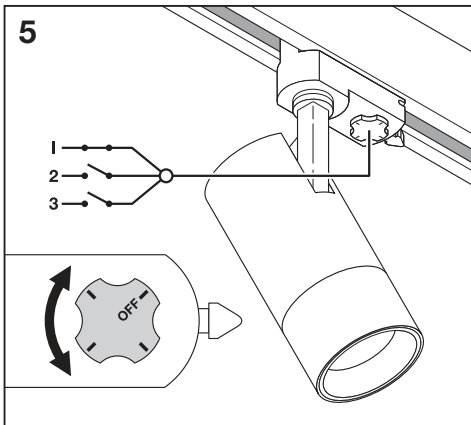
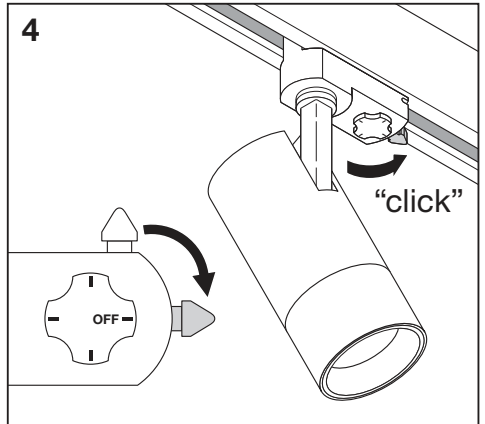
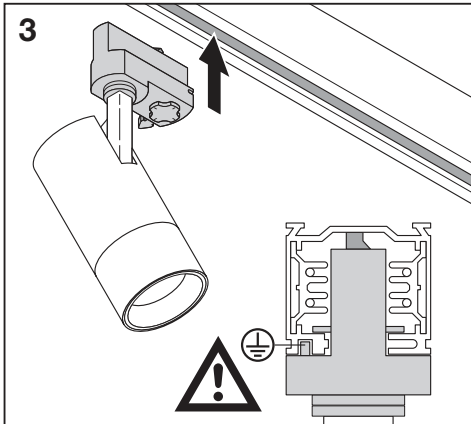
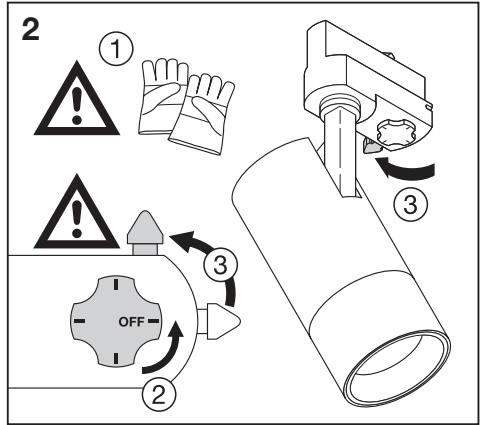
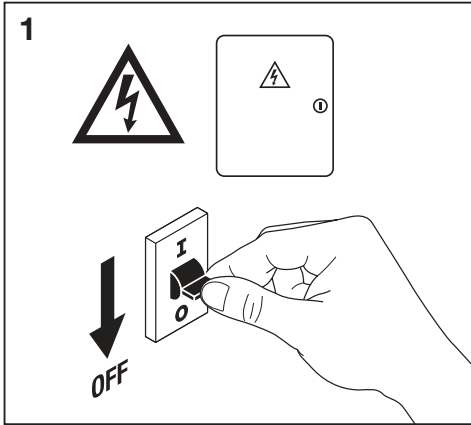
---

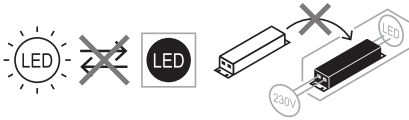
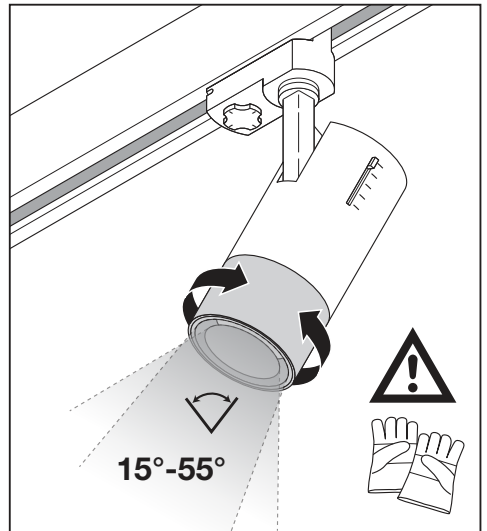
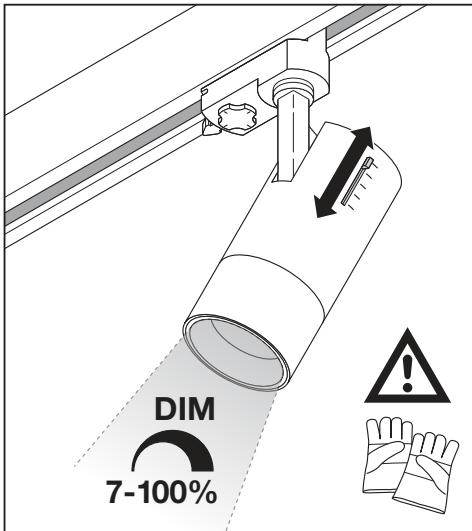
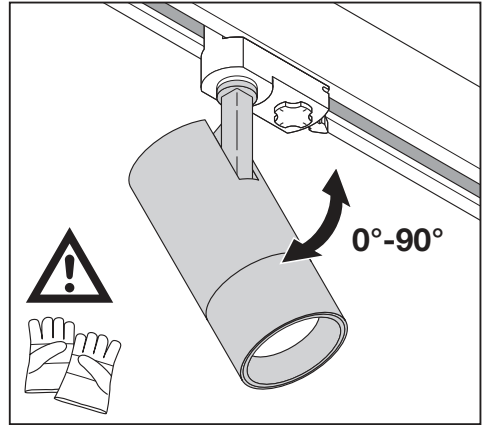
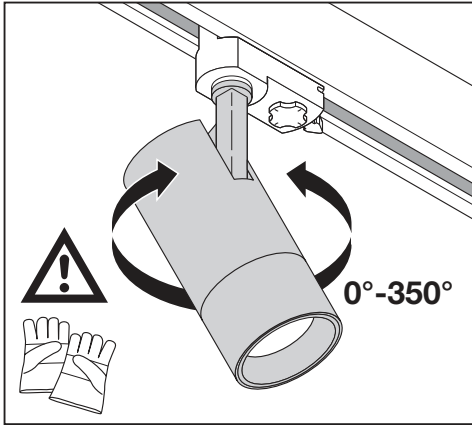


	EAN	Ø x h [mm]	W	V <sub>AC</sub>	Hz	lm	lm/W	K
TR SP ZOOM D85 25W/3000K DIM 97R WT	4058075335769	85 x 265	25	120-240V	50/60 Hz	1500	60	3000
TR SP ZOOM D85 25W/4000K DIM 97R WT	4058075335783	85 x 265	25	120-240V	50/60 Hz	1500	60	4000
TR SP ZOOM D85 25W/3000K DIM 97R BK	4058075335806	85 x 265	25	120-240V	50/60 Hz	1500	60	3000
TR SP ZOOM D85 25W/4000K DIM 97R BK	4058075335820	85 x 265	25	120-240V	50/60 Hz	1500	60	4000

	EAN	IP	IK	∠	R <sub>a</sub>	° (°C)	PF	👤
TR SP ZOOM D85 25W/3000K DIM 97R WT	4058075335769	20	03	15°-55°	97	-20...+40	0.9	1.0kg
TR SP ZOOM D85 25W/4000K DIM 97R WT	4058075335783	20	03	15°-55°	97	-20...+40	0.9	1.0kg
TR SP ZOOM D85 25W/3000K DIM 97R BK	4058075335806	20	03	15°-55°	97	-20...+40	0.9	1.0kg
TR SP ZOOM D85 25W/4000K DIM 97R BK	4058075335820	20	03	15°-55°	97	-20...+40	0.9	1.0kg







LEDVANCE GmbH  
Steinerne Furt 62  
86167 Augsburg, Germany  
[www.ledvance.com](http://www.ledvance.com)

C10449057  
G11139035  
30.03.22

© LEDVANCE Ltd, Aquila House  
Delta Crescent, Westbrook, Warrington  
WA5 7NR, United Kingdom