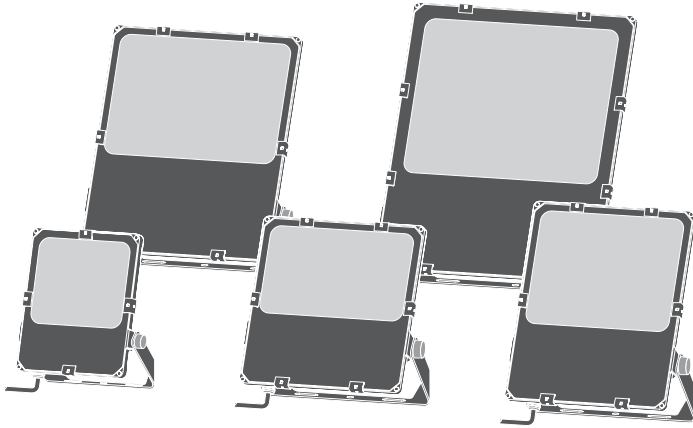


## FLOODLIGHT PERFORMANCE



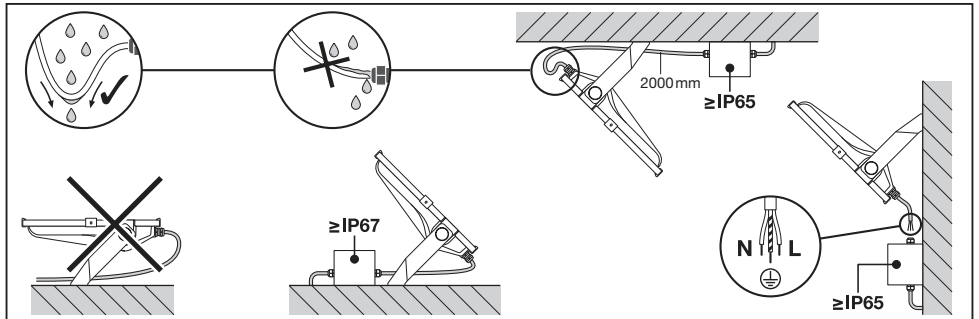
	EAN	l x w x h [mm]	W	V <sub>AC</sub>	Hz	lm	lm/W	K
FL PFM 50W/3000K ASYM 55x110 BK	4058075353299	314x240x63	50	220-240V	50/60Hz	5800	115	3000
FL PFM 50W/4000K ASYM 55x110 BK	4058075353305	314x240x63	50	220-240V	50/60Hz	6300	125	4000
FL PFM 100W/3000K ASYM 55x110 BK	4058075353312	418x330x77	100	220-240V	50/60Hz	11900	120	3000
FL PFM 100W/4000K ASYM 55x110 BK	4058075353527	418x330x77	100	220-240V	50/60Hz	12900	130	4000
FL PFM 150W/3000K ASYM 55x110 BK	4058075353534	451x330x77	150	220-240V	50/60Hz	18400	125	3000
FL PFM 150W/4000K ASYM 55x110 BK	4058075353541	451x330x77	150	220-240V	50/60Hz	19900	135	4000
FL PFM 200W/3000K ASYM 55x110 BK	4058075353558	494x395x87	200	220-240V	50/60Hz	24400	130	3000
FL PFM 200W/4000K ASYM 55x110 BK	4058075353565	494x395x87	200	220-240V	50/60Hz	26400	140	4000
FL PFM 290W/3000K ASYM 55x110 BK	4058075353572	567x465x97	290	220-240V	50/60Hz	35600	125	3000
FL PFM 290W/4000K ASYM 55x110 BK	4058075353602	567x465x97	290	220-240V	50/60Hz	38500	135	4000
FL PFM 50W/3000K ASYM 45x140 BK	4058075353619	314x240x63	50	220-240V	50/60Hz	5700	115	3000
FL PFM 50W/4000K ASYM 45x140 BK	4058075353626	314x240x63	50	220-240V	50/60Hz	6200	125	4000
FL PFM 100W/3000K ASYM 45x140 BK	4058075353633	418x330x77	100	220-240V	50/60Hz	11800	120	3000
FL PFM 100W/4000K ASYM 45x140 BK	4058075353688	418x330x77	100	220-240V	50/60Hz	12800	130	4000
FL PFM 150W/3000K ASYM 45x140 BK	4058075353695	451x330x77	150	220-240V	50/60Hz	18300	120	3000
FL PFM 150W/4000K ASYM 45x140 BK	4058075353701	451x330x77	150	220-240V	50/60Hz	19800	130	4000
FL PFM 200W/3000K ASYM 45x140 BK	4058075353718	494x395x87	200	220-240V	50/60Hz	24200	130	3000
FL PFM 200W/4000K ASYM 45x140 BK	4058075353725	494x395x87	200	220-240V	50/60Hz	26200	140	4000
FL PFM 290W/3000K ASYM 45x140 BK	4058075353732	567x465x97	290	220-240V	50/60Hz	35300	120	3000
FL PFM 290W/4000K ASYM 45x140 BK	4058075353749	567x465x97	290	220-240V	50/60Hz	38200	130	4000
FL PFM 150W/3000K SYM R30 BK	4058075353756	451x330x77	150	220-240V	50/60Hz	18700	125	3000
FL PFM 150W/4000K SYM R30 BK	4058075353763	451x330x77	150	220-240V	50/60Hz	20200	135	4000
FL PFM 200W/3000K SYM R30 BK	4058075353770	494x395x87	200	220-240V	50/60Hz	24800	130	3000
FL PFM 200W/4000K SYM R30 BK	4058075353787	494x395x87	200	220-240V	50/60Hz	26800	140	4000
FL PFM 290W/3000K SYM R30 BK	4058075353794	567x465x97	290	220-240V	50/60Hz	36200	125	3000
FL PFM 290W/4000K SYM R30 BK	4058075353800	567x465x97	290	220-240V	50/60Hz	39100	135	4000
FL PFM 150W/3000K SYM 60 BK	4058075540989	451x330x77	150	220-240V	50/60Hz	19800	132	3000
FL PFM 150W/4000K SYM 60 BK	4058075540996	451x330x77	150	220-240V	50/60Hz	21000	140	4000
FL PFM 200W/3000K SYM 60 BK	4058075541009	494x395x87	200	220-240V	50/60Hz	26400	132	3000
FL PFM 200W/4000K SYM 60 BK	4058075541016	494x395x87	200	220-240V	50/60Hz	28000	140	4000
FL PFM 290W/3000K SYM 60 BK	4058075541023	567x465x97	290	220-240V	50/60Hz	38300	132	3000
FL PFM 290W/4000K SYM 60 BK	4058075541030	567x465x97	290	220-240V	50/60Hz	40600	140	4000

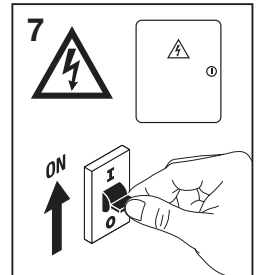
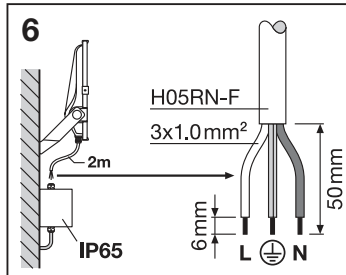
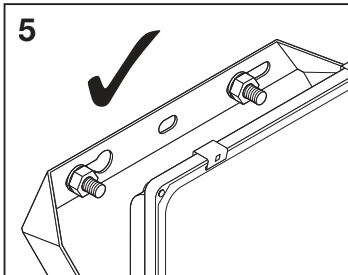
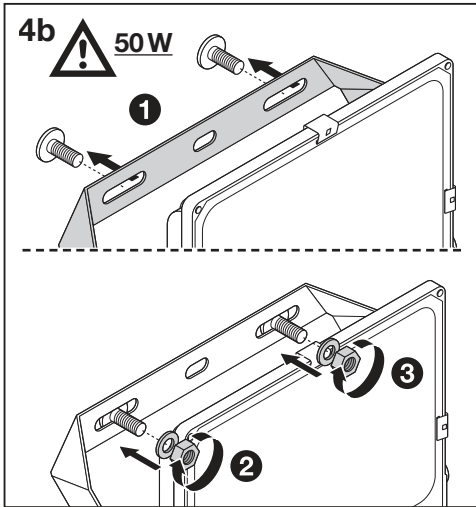
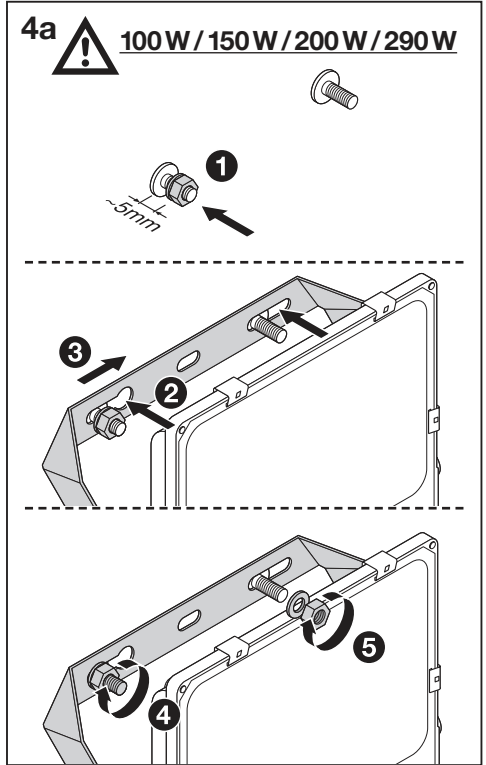
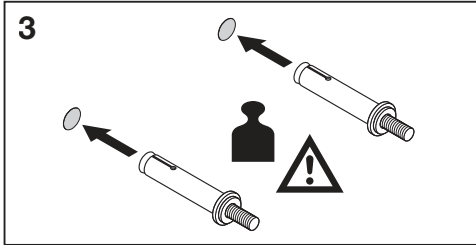
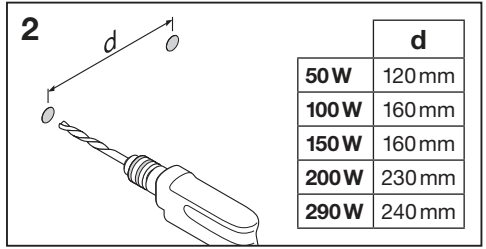
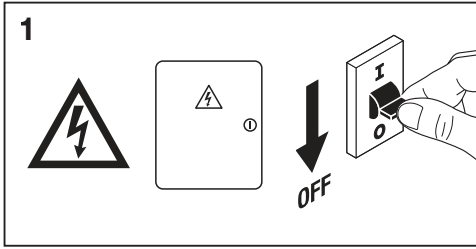
# FLOODLIGHT PERFORMANCE

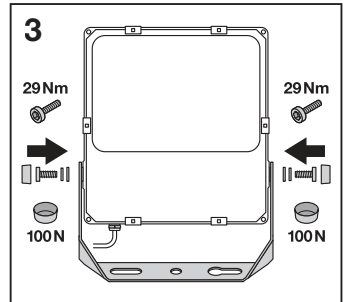
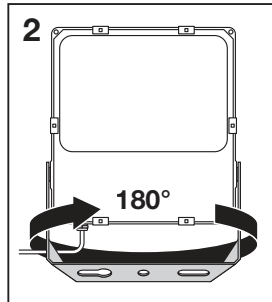
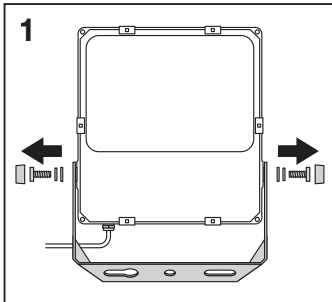
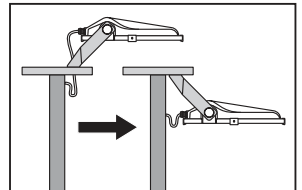
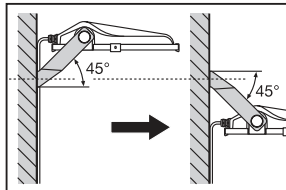
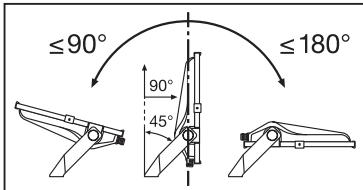
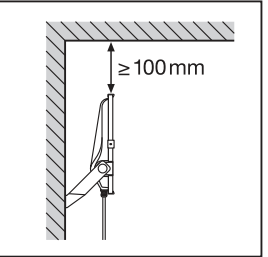
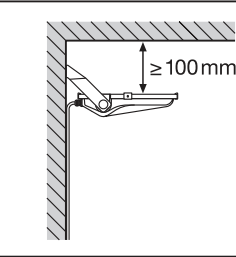
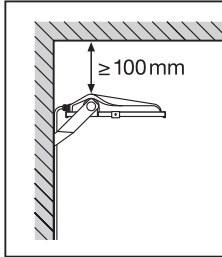
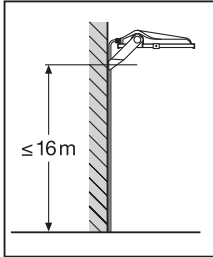
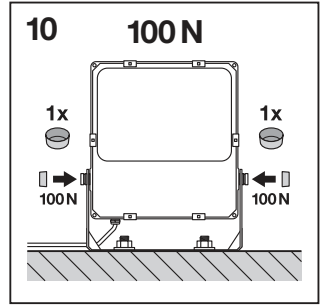
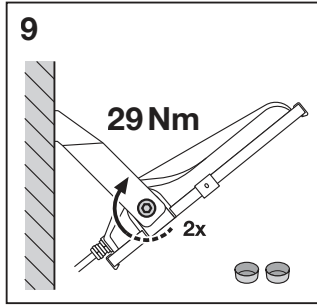
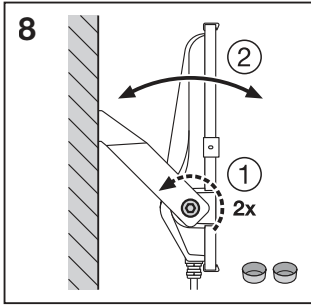


	EAN	IP	IK	∠	R <sub>a</sub>	Δ (°C)	PF	⚖️
FL PFM 50W/3000K ASYM 55x110 BK	4058075353299	66	08	55°x110°	> 80	-30...+50	> 0.9	2.6 kg
FL PFM 50W/4000K ASYM 55x110 BK	4058075353305	66	08	55°x110°	> 80	-30...+50	> 0.9	2.6 kg
FL PFM 100W/3000K ASYM 55x110 BK	4058075353312	66	08	55°x110°	> 80	-30...+50	> 0.9	3.9 kg
FL PFM 100W/4000K ASYM 55x110 BK	4058075353527	66	08	55°x110°	> 80	-30...+50	> 0.9	3.9 kg
FL PFM 150W/3000K ASYM 55x110 BK	4058075353534	66	08	55°x110°	> 80	-30...+50	> 0.9	4.5 kg
FL PFM 150W/4000K ASYM 55x110 BK	4058075353541	66	08	55°x110°	> 80	-30...+50	> 0.9	4.5 kg
FL PFM 200W/3000K ASYM 55x110 BK	4058075353558	66	08	55°x110°	> 80	-30...+50	> 0.9	6.3 kg
FL PFM 200W/4000K ASYM 55x110 BK	4058075353565	66	08	55°x110°	> 80	-30...+50	> 0.9	6.3 kg
FL PFM 290W/3000K ASYM 55x110 BK	4058075353572	66	08	55°x110°	> 80	-30...+50	> 0.9	9.5 kg
FL PFM 290W/4000K ASYM 55x110 BK	4058075353602	66	08	55°x110°	> 80	-30...+50	> 0.9	9.5 kg
FL PFM 50W/3000K ASYM 45x140 BK	4058075353619	66	08	45°x140°	> 80	-30...+50	> 0.9	2.6 kg
FL PFM 50W/4000K ASYM 45x140 BK	4058075353626	66	08	45°x140°	> 80	-30...+50	> 0.9	2.6 kg
FL PFM 100W/3000K ASYM 45x140 BK	4058075353633	66	08	45°x140°	> 80	-30...+50	> 0.9	3.9 kg
FL PFM 100W/4000K ASYM 45x140 BK	4058075353688	66	08	45°x140°	> 80	-30...+50	> 0.9	3.9 kg
FL PFM 150W/3000K ASYM 45x140 BK	4058075353695	66	08	45°x140°	> 80	-30...+50	> 0.9	4.5 kg
FL PFM 150W/4000K ASYM 45x140 BK	4058075353701	66	08	45°x140°	> 80	-30...+50	> 0.9	4.5 kg
FL PFM 200W/3000K ASYM 45x140 BK	4058075353718	66	08	45°x140°	> 80	-30...+50	> 0.9	6.3 kg
FL PFM 200W/4000K ASYM 45x140 BK	4058075353725	66	08	45°x140°	> 80	-30...+50	> 0.9	6.3 kg
FL PFM 290W/3000K ASYM 45x140 BK	4058075353732	66	08	45°x140°	> 80	-30...+50	> 0.9	9.5 kg
FL PFM 290W/4000K ASYM 45x140 BK	4058075353749	66	08	45°x140°	> 80	-30...+50	> 0.9	9.5 kg
FL PFM 150W/3000K SYM R30 BK	4058075353756	66	08	30°	> 80	-30...+50	> 0.9	4.5 kg
FL PFM 150W/4000K SYM R30 BK	4058075353763	66	08	30°	> 80	-30...+50	> 0.9	4.5 kg
FL PFM 200W/3000K SYM R30 BK	4058075353770	66	08	30°	> 80	-30...+50	> 0.9	6.3 kg
FL PFM 200W/4000K SYM R30 BK	4058075353787	66	08	30°	> 80	-30...+50	> 0.9	6.3 kg
FL PFM 290W/3000K SYM R30 BK	4058075353794	66	08	30°	> 80	-30...+50	> 0.9	9.5 kg
FL PFM 290W/4000K SYM R30 BK	4058075353800	66	08	30°	> 80	-30...+50	> 0.9	9.5 kg
FL PFM 150W/3000K SYM 60 BK	4058075540989	66	08	60°	> 80	-30...+50	> 0.9	4.5 kg
FL PFM 150W/4000K SYM 60 BK	4058075540996	66	08	60°	> 80	-30...+50	> 0.9	4.5 kg
FL PFM 200W/3000K SYM 60 BK	4058075541009	66	08	60°	> 80	-30...+50	> 0.9	6.3 kg
FL PFM 200W/4000K SYM 60 BK	4058075541016	66	08	60°	> 80	-30...+50	> 0.9	6.3 kg
FL PFM 290W/3000K SYM 60 BK	4058075541023	66	08	60°	> 80	-30...+50	> 0.9	9.5 kg
FL PFM 290W/4000K SYM 60 BK	4058075541030	66	08	60°	> 80	-30...+50	> 0.9	9.5 kg

	A	B	C	D	E			230 Vac		
								C10A	B16A	C16A
50W	130	94	9	-	9	2x M8	0.054 m <sup>2</sup>			
100W	182	138	11	20	22	2x M10	0.097 m <sup>2</sup>	3	3	5
150W	182	138	11	20	22	2x M10	0.110 m <sup>2</sup>	4	4	6
200W	252	208	11	20	22	2x M10	0.146 m <sup>2</sup>	2	3	4
290W	269	191	13	22	39	2x M12	0.200 m <sup>2</sup>	2	2	3
								4	4	7







C10449057  
G11098338  
26.05.20



LEDVANCE GmbH  
Steinerne Furt 62  
86167 Augsburg, Germany  
[www.ledvance.com](http://www.ledvance.com)