

PRODUCT DATASHEET

FL PFM 20 W 4000 K SYM 100 BK

FLOODLIGHT 20 W | Versatile floodlight with up to 2400 lm light output



Areas of application

- Replacement for floodlights with halogen lamps
- Outdoor use (IP65)
- Public areas
- Building facades
- Construction areas
- Gardens, balconies and other outdoor areas

Product benefits

- Bright, robust and durable
- Safe and very uniform illumination, due to frosted and tempered glass diffuser
- No upper light output ratio (ULOR 0%) when mounted at 0° tilt
- Energy savings of up to 90 % compared to halogen lamp floodlights
- 5 years guarantee

Product features

- Reflector-based, symmetric light distribution with 100° x 100° beam angle
- Integrated wide voltage driver, suitable for 100 - 277 V AC
- Surge protection: up to 4 kV (L/N-PE), 2 kV (L-N)
- Mounting bracket with 30° angle and wide rotation area
- Pre-installed, flexible 1 m cable (H05RN-F), wrapped 3 x 1.0 mm² single wires



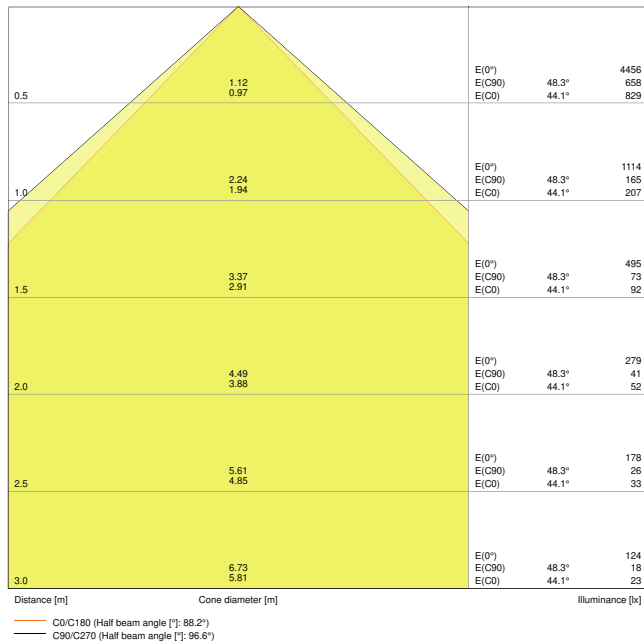
TECHNICAL DATA

Electrical data

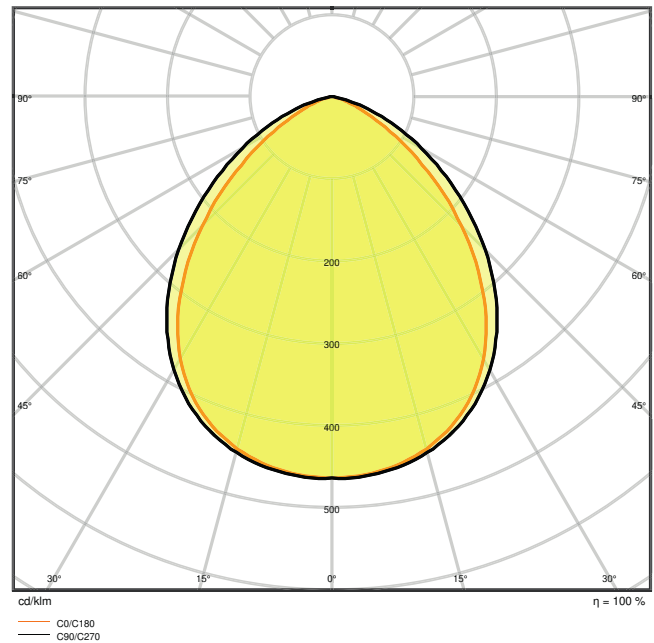
| | |
|--|-----------------------|
| Nominal wattage | 20.00 W |
| Nominal voltage | 100...277 V |
| Mains frequency | 50...60 Hz |
| Nominal current | 98 mA |
| Inrush current | 5.68 A |
| Inrush current time T_{h50} | 35 μ s |
| Max. no. of lum. on circuit break. B16 A | 93 |
| Max. no. of lum. on circuit break. C10 A | 67 |
| Max. no. of lum. on circuit break. C16 A | 108 |
| Power factor λ | > 0.90 |
| Total harmonic distortion | < 20 % |
| Protection class | I |
| Operating mode | Integrated LED driver |

Photometrical data

| | |
|--|---------------------------|
| Luminous flux | 2400 lm |
| Luminous efficacy | 120 lm/W |
| Color temperature | 4000 K |
| Light color (designation) | Cool White |
| Color rendering index Ra | ≥ 80 |
| Standard deviation of color matching | ≤ 5 sdc _m |
| Luminous intensity | - |
| Flickering metric (Pst LM) | - |
| Stroboscope effect metric (SVM) | - |
| Photobiological safety group acc. to EN62778 | RG1 |
| Photobiological safety group acc. to EN62471 | RG1 |
| Beam angle | 100 ° x 100 ° |



LDC typ cone

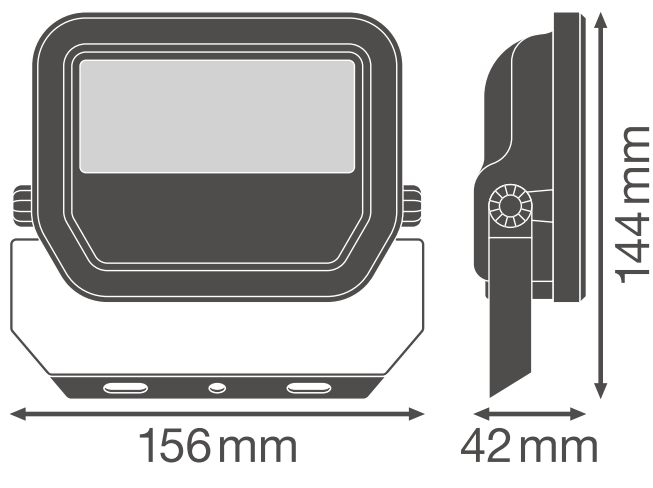


LDC typ polar

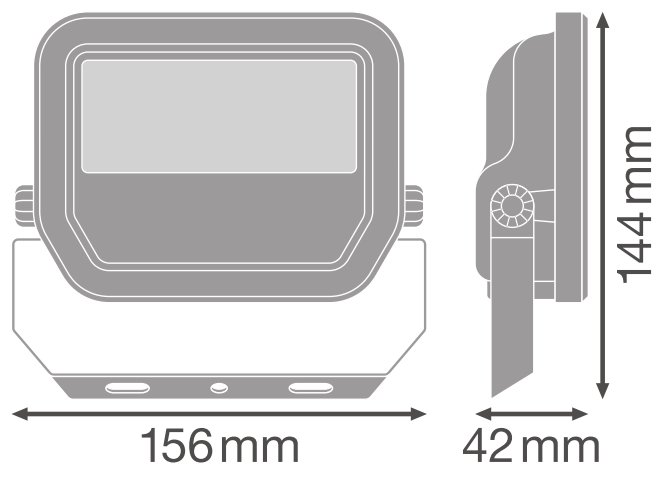
Dimensions & Weight

| | |
|----------------|-----------|
| Length | 144.00 mm |
| Width | 156.00 mm |
| Height | 42.00 mm |
| Product weight | 520.00 g |
| Cable length | 1000 mm |





Product line drawing with numbers



Product line drawing with numbers

Materials & Colors

| | |
|--|----------|
| Product color | Black |
| Housing color | Black |
| Body material | Aluminum |
| Light emitting surface material | Glass |
| Glow Wire Test according to IEC 60695-2-12 | 650 °C |
| Mercury content | 0.0 mg |

Application & Mounting

| | |
|--|------------------------|
| Ambient temperature range | -30...+50 °C |
| Temperature range at storage | -40...+70 °C |
| Type of connection | Cable, 3-pole |
| Type of protection | IP65 |
| Protection class IK (shock resistance) | IK07 |
| Dimmable | No |
| Mounting type | Surface |
| Mounting location | Wall / Ceiling / Floor |
| Application environment | Outdoor |
| Adjustable | Yes |
| LED module replaceable | Not replaceable |
| With light source | Yes |



Lifespan

| | |
|----------------------------|---------|
| Lifespan L70/B50 at 25 °C | 70000 h |
| Lifespan L80/B10 at 25 °C | 55000 h |
| Lifespan L90/B10 at 25 °C | 35000 h |
| Number of switching cycles | 100000 |











Control gear

| | |
|-----------------------------|--------|
| Output current | 230 mA |
| ECG - Output ripple current | < 50 % |

Certificates & Standards

| | |
|--|-----------------------------|
| Standards | CE / CB / ENEC / EAC / RoHS |
| Luminaire with limited surface temperature, "D sign" | No |
| Ball shot safe | No |

DOWNLOAD DATA

| DOWNLOAD DATA | |
|--|-----------------------------|
|  | User instruction |
|  | User instruction |
|  | Addon Technical Information |
|  | Addon Technical Information |
|  | Addon Technical Information |
|  | Addon Technical Information |
|  | Tender documents |
|  | Tender documents |
|  | Declarations of conformity |
|  | IES file (IES) |



DOWNLOAD DATA



LDT file (Eulumdat)



R3D file (Relux 3D Model)



M4D file (3D Model with rotation axis)



ULD file (DIALux)



UGR file (UGR table)



Packaging insert



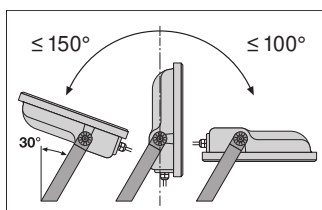
Packaging insert

LOGISTICAL DATA

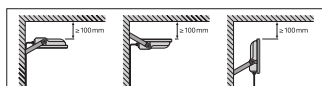
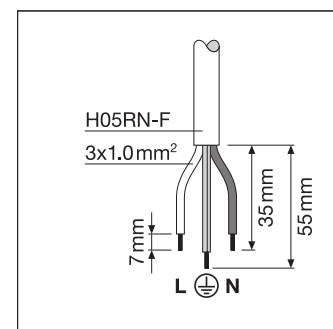
| Product code | Packaging unit (Pieces/Unit) | Dimensions (length x width x height) | Gross weight | Volume |
|---------------|------------------------------|--------------------------------------|--------------|-----------------------|
| 4058075421028 | Shipping box 12 | 396 mm x 336 mm x 161 mm | 7510.00 g | 21.42 dm ³ |

The mentioned product code describes the smallest quantity unit which can be ordered. One shipping unit can contain one or more single products. When placing an order, for the quantity please enter single or multiples of a shipping unit.

ADDITIONAL CATALOG INFORMATION



| | A | B | C | Ø | Weight |
|-----|----|-----|-----|-------|---------|
| 10W | 58 | 60 | 5.5 | 2x M4 | 0.014kg |
| 20W | 58 | 80 | 6.5 | 2x M5 | 0.018kg |
| 30W | 58 | 90 | 6.5 | 2x M5 | 0.021kg |
| 50W | 78 | 110 | 8.5 | 2x M6 | 0.028kg |



References / Links

- For Guarantee see www.ledvance.com/guarantee



DISCLAIMER

Subject to change without notice. Errors and omission excepted. Always make sure to use the most recent release.

