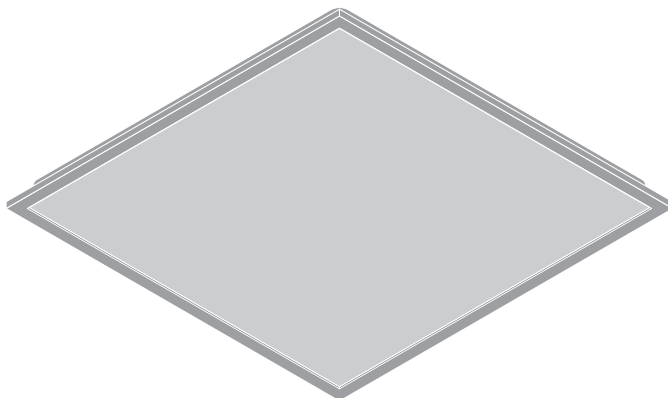
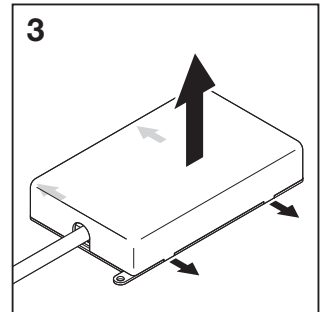
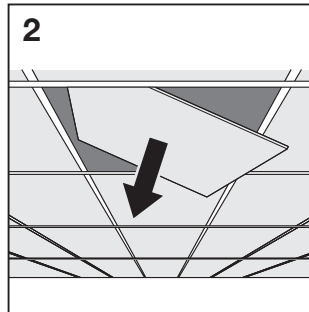
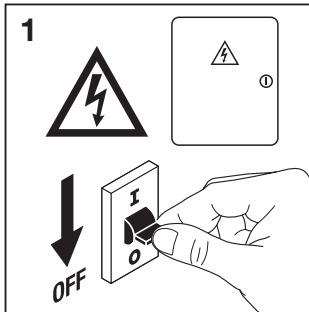
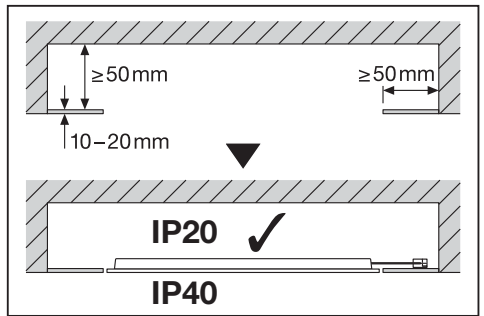
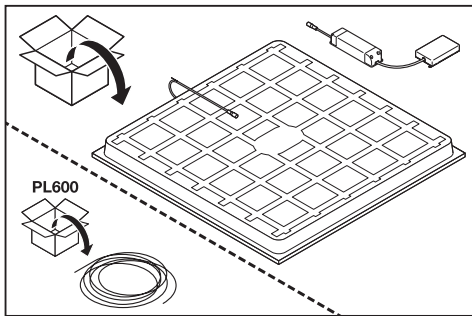


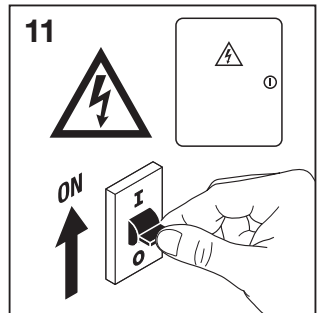
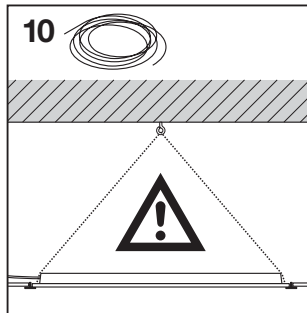
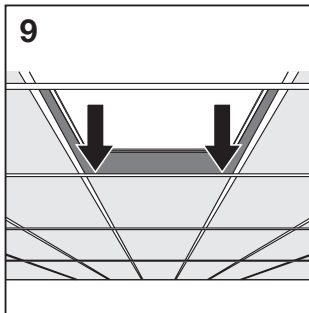
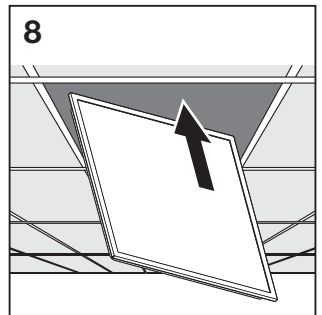
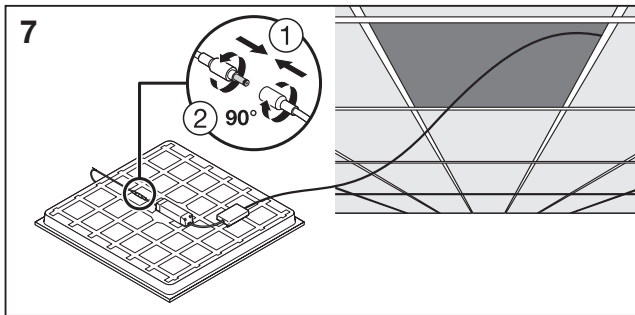
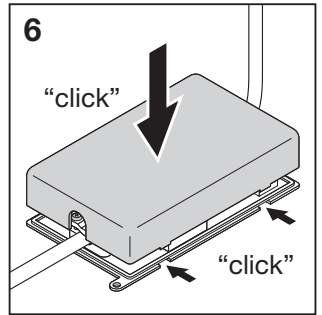
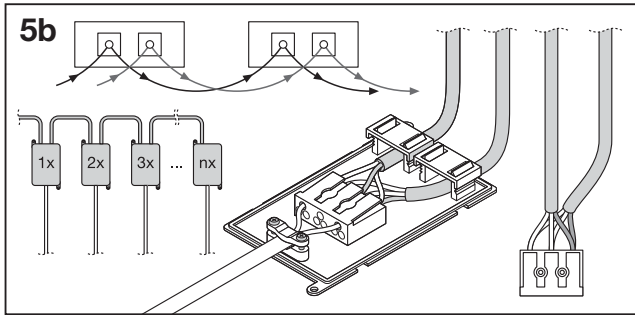
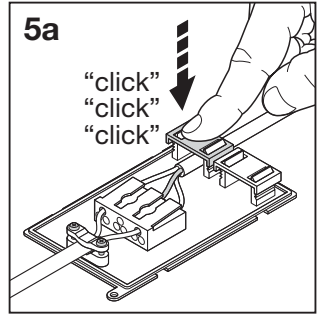
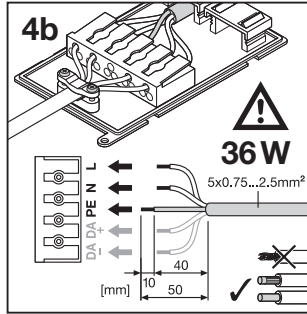
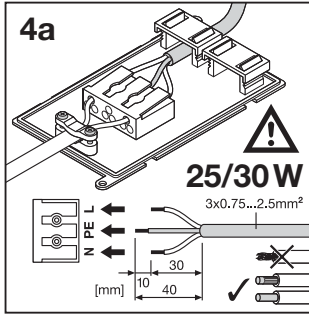
## PANEL PERFORMANCE 600/625



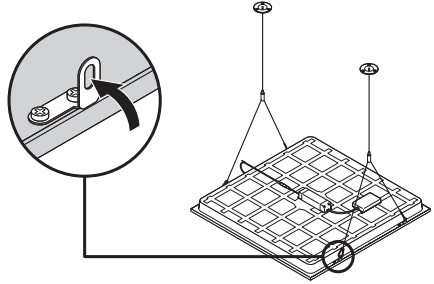
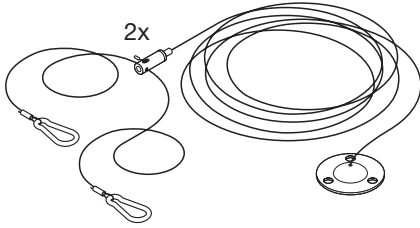
	EAN	l x w x h [mm]	W	VAC	Hz	lm	lm/W	Φ <sub>use</sub> (lm)	K
PL PFM 600 25W/3000K	4058075440159	595 x 595 x 32	25	220-240	50/60	3000	120	3000	3000
PL PFM 600 25W/4000K	4058075440197	595 x 595 x 32	25	220-240	50/60	3000	120	3000	4000
PL PFM 600 30W/3000K	4058075440234	595 x 595 x 32	30	220-240	50/60	3600	120	3600	3000
PL PFM 600 30W/4000K	4058075440258	595 x 595 x 32	30	220-240	50/60	3600	120	3600	4000
PL PFM 600 30W/3000K UGR19	4058075440272	595 x 595 x 32	30	220-240	50/60	3600	120	3100	3000
PL PFM 600 30W/4000K UGR19	4058075440296	595 x 595 x 32	30	220-240	50/60	3600	120	3100	4000
PL PFM 600 36W/3000K	4058075440319	595 x 595 x 32	36	220-240	50/60	4320	120	4320	3000
PL PFM 600 36W/4000K	4058075440333	595 x 595 x 32	36	220-240	50/60	4320	120	4320	4000
PL PFM 600 DALI 36W/3000K	4058075440357	595 x 595 x 32	36	220-240	0/50/60	4320	120	4320	3000
PL PFM 600 DALI 36W/4000K	4058075440395	595 x 595 x 32	36	220-240	0/50/60	4320	120	4320	4000
PL PFM 600 36W/3000K UGR19	4058075440418	595 x 595 x 32	36	220-240	50/60	4320	120	3700	3000
PL PFM 600 36W/4000K UGR19	4058075440432	595 x 595 x 32	36	220-240	50/60	4320	120	3700	4000
PL PFM 600 DALI 36W/3000K UGR19	4058075440456	595 x 595 x 32	36	220-240	0/50/60	4320	120	3700	3000
PL PFM 600 DALI 36W/4000K UGR19	4058075440470	595 x 595 x 32	36	220-240	0/50/60	4320	120	3700	4000
PL PFM 625 25W/3000K	4058075440494	620 x 620 x 32	25	220-240	50/60	3000	120	3000	3000
PL PFM 625 25W/4000K	4058075440517	620 x 620 x 32	25	220-240	50/60	3000	120	3000	4000
PL PFM 625 30W/3000K	4058075440531	620 x 620 x 32	30	220-240	50/60	3600	120	3600	3000
PL PFM 625 30W/4000K	4058075440555	620 x 620 x 32	30	220-240	50/60	3600	120	3600	4000
PL PFM 625 30W/3000K UGR19	4058075440579	620 x 620 x 32	30	220-240	50/60	3600	120	3100	3000
PL PFM 625 30W/4000K UGR19	4058075440593	620 x 620 x 32	30	220-240	50/60	3600	120	3100	4000
PL PFM 625 DALI 36W/3000K	4058075440616	620 x 620 x 32	36	220-240	0/50/60	4320	120	4320	3000
PL PFM 625 DALI 36W/4000K	4058075440654	620 x 620 x 32	36	220-240	0/50/60	4320	120	4320	4000
PL PFM 625 36W/3000K	4058075440678	620 x 620 x 32	36	220-240	50/60	4320	120	4320	3000
PL PFM 625 36W/4000K	4058075440692	620 x 620 x 32	36	220-240	50/60	4320	120	4320	4000
PL PFM 625 36W/3000K UGR19	4058075440715	620 x 620 x 32	36	220-240	50/60	4320	120	3700	3000
PL PFM 625 36W/4000K UGR19	4058075440739	620 x 620 x 32	36	220-240	50/60	4320	120	3700	4000
PL PFM 625 DALI 36W/3000K UGR19	4058075440753	620 x 620 x 32	36	220-240	0/50/60	4320	120	3700	3000
PL PFM 625 DALI 36W/4000K UGR19	4058075440777	620 x 620 x 32	36	220-240	0/50/60	4320	120	3700	4000

	EAN	IP	∠	R <sub>a</sub>	° (°C)	PF	👤
PL PFM 600 25W/3000K	4058075440159	40/20	120°	>80	-10...+50	>0.95	1.6 kg
PL PFM 600 25W/4000K	4058075440197	40/20	120°	>80	-10...+50	>0.95	1.6 kg
PL PFM 600 30W/3000K	4058075440234	40/20	120°	>80	-10...+50	>0.95	1.6 kg
PL PFM 600 30W/4000K	4058075440258	40/20	120°	>80	-10...+50	>0.95	1.6 kg
PL PFM 600 30W/3000K UGR19	4058075440272	40/20	90°	>80	-10...+50	>0.95	1.9 kg
PL PFM 600 30W/4000K UGR19	4058075440296	40/20	90°	>80	-10...+50	>0.95	1.9 kg
PL PFM 600 36W/3000K	4058075440319	40/20	120°	>80	-10...+50	>0.95	1.7 kg
PL PFM 600 36W/4000K	4058075440333	40/20	120°	>80	-10...+50	>0.95	1.7 kg
PL PFM 600 DALI 36W/3000K	4058075440357	40/20	120°	>80	-10...+50	>0.95	1.8 kg
PL PFM 600 DALI 36W/4000K	4058075440395	40/20	120°	>80	-10...+50	>0.95	1.8 kg
PL PFM 600 36W/3000K UGR19	4058075440418	40/20	90°	>80	-10...+50	>0.95	1.9 kg
PL PFM 600 36W/4000K UGR19	4058075440432	40/20	90°	>80	-10...+50	>0.95	1.9 kg
PL PFM 600 DALI 36W/3000K UGR19	4058075440456	40/20	90°	>80	-10...+50	>0.95	2.0 kg
PL PFM 600 DALI 36W/4000K UGR19	4058075440470	40/20	90°	>80	-10...+50	>0.95	2.0 kg
PL PFM 625 25W/3000K	4058075440494	40/20	120°	>80	-10...+50	>0.95	1.9 kg
PL PFM 625 25W/4000K	4058075440517	40/20	120°	>80	-10...+50	>0.95	1.9 kg
PL PFM 625 30W/3000K	4058075440531	40/20	120°	>80	-10...+50	>0.95	1.9 kg
PL PFM 625 30W/4000K	4058075440555	40/20	120°	>80	-10...+50	>0.95	1.9 kg
PL PFM 625 30W/3000K UGR19	4058075440579	40/20	90°	>80	-10...+50	>0.95	2.1 kg
PL PFM 625 30W/4000K UGR19	4058075440593	40/20	90°	>80	-10...+50	>0.95	2.1 kg
PL PFM 625 DALI 36W/3000K	4058075440616	40/20	120°	>80	-10...+50	>0.95	1.9 kg
PL PFM 625 DALI 36W/4000K	4058075440654	40/20	120°	>80	-10...+50	>0.95	1.9 kg
PL PFM 625 36W/3000K	4058075440678	40/20	120°	>80	-10...+50	>0.95	1.8 kg
PL PFM 625 36W/4000K	4058075440692	40/20	120°	>80	-10...+50	>0.95	1.8 kg
PL PFM 625 36W/3000K UGR19	4058075440715	40/20	90°	>80	-10...+50	>0.95	2.1 kg
PL PFM 625 36W/4000K UGR19	4058075440739	40/20	90°	>80	-10...+50	>0.95	2.1 kg
PL PFM 625 DALI 36W/3000K UGR19	4058075440753	40/20	90°	>80	-10...+50	>0.95	2.2 kg
PL PFM 625 DALI 36W/4000K UGR19	4058075440777	40/20	90°	>80	-10...+50	>0.95	2.2 kg

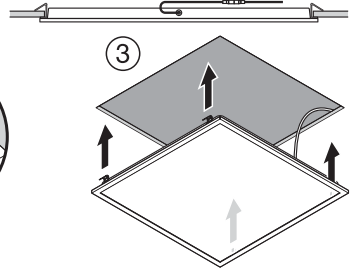
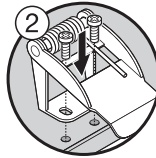
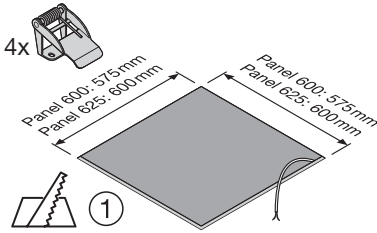




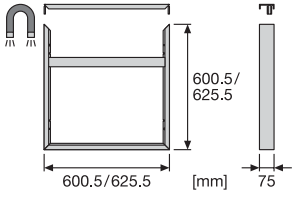
SUSPENSION KIT  
**EAN 4058075402928**



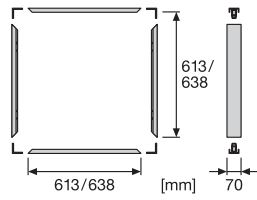
RECESSED MOUNT CLIPS VALUE  
**EAN 4058075409859**



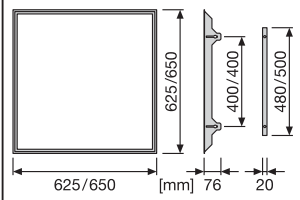
PL 600 SURFACE MOUNT KIT H75  
**EAN 4058075472914**  
 PL 625 SURFACE MOUNT KIT H75  
**EAN 4058075402938**



PL 600 SURFACE MOUNT KIT H70 VAL  
**EAN 4058075402843**  
 PL 625 SURFACE MOUNT KIT H70 VAL  
**EAN 4058075402867**

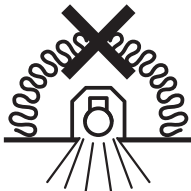


PL 600 RECESSED MOUNT FRAME  
**EAN 4058075402881**  
 PL 625 RECESSED MOUNT FRAME  
**EAN 4058075402904**



	C10A	B16A	C16A		DALI	IOUT [mA]	DIM
<b>PANEL PFM 36W DALI</b>	n = 10	n = 11	n = 16		OSRAM OTi DALI 50/220...240/1A4 NFC	760	✓
<b>PANEL PFM 36W</b>	n = 12	n = 13	n = 19		-	-	-
<b>PANEL PFM 30W</b>	n = 13	n = 15	n = 21		-	-	-
<b>PANEL PFM 25W</b>	n = 15	n = 16	n = 24		-	-	-

PANEL PFM 600/625 DALI	
PANEL PFM 600/625	



C10449057  
 G11094519  
 16.03.20



RoHS



LEDVANCE GmbH  
 Steinerne Furt 62  
 86167 Augsburg, Germany  
[www.ledvance.com](http://www.ledvance.com)