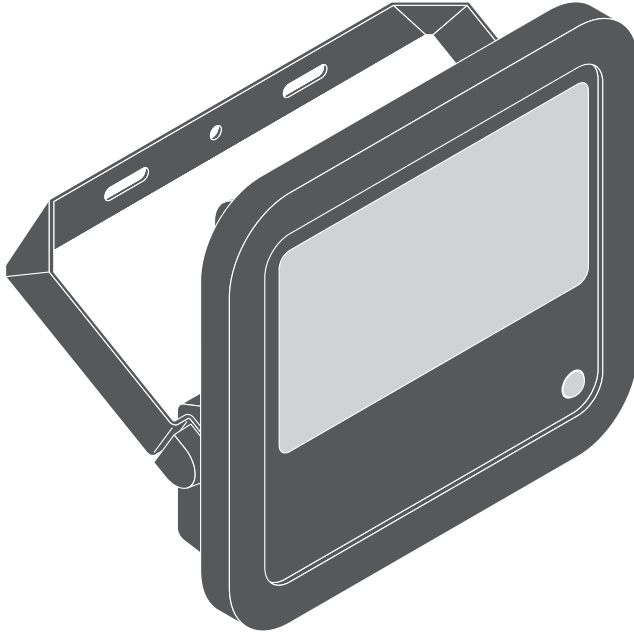


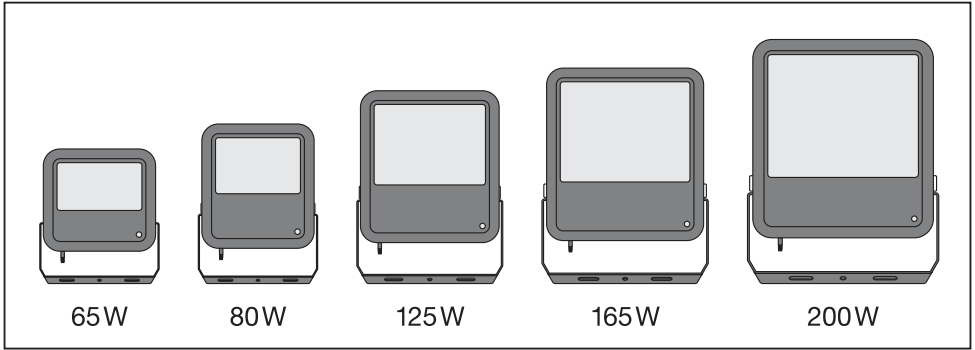
## FLOODLIGHT PHOTOCELL

### 65 W – 200 W

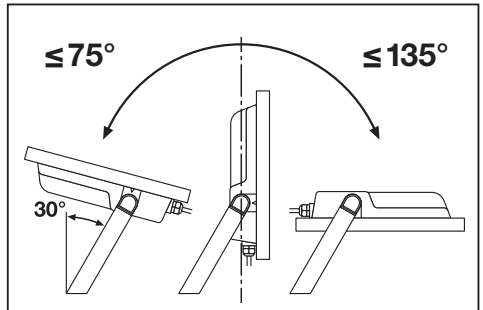
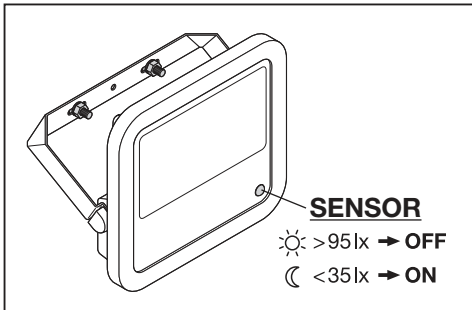
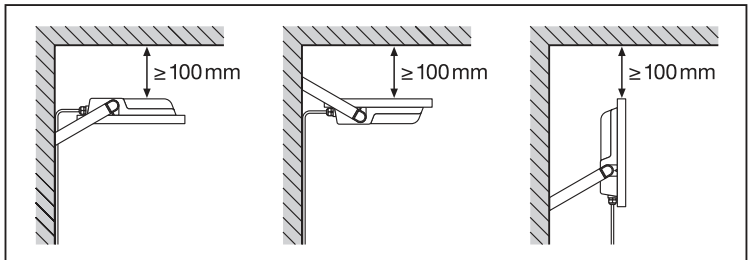
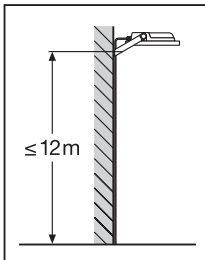


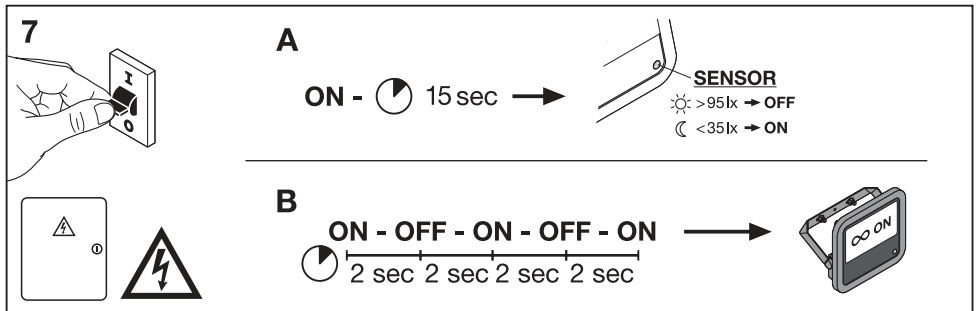
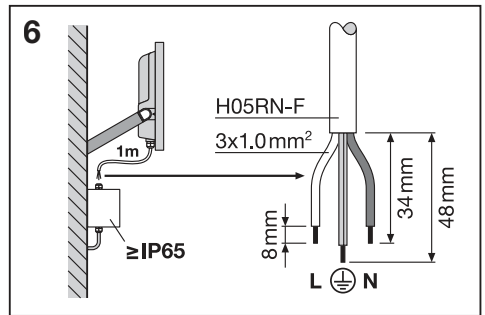
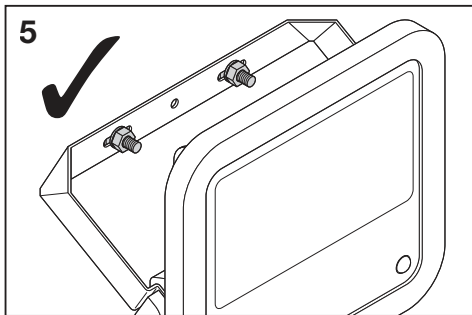
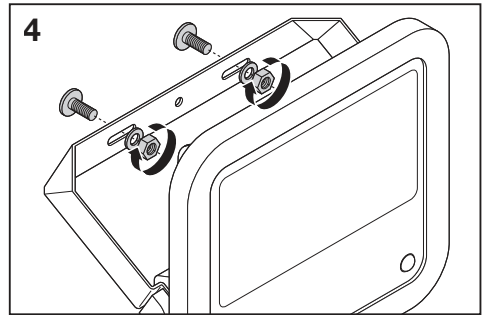
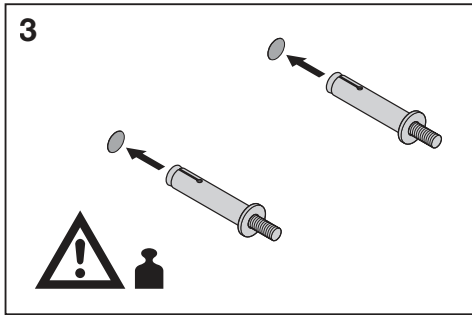
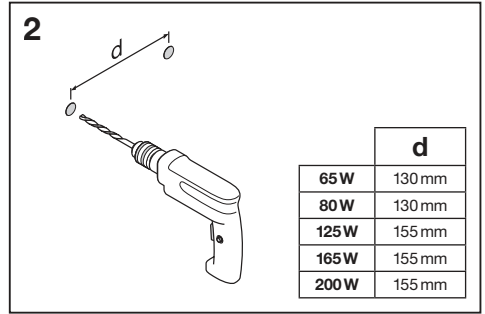
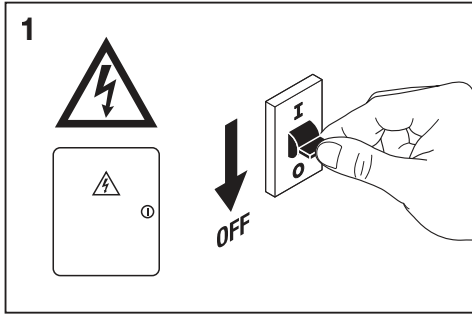
	EAN	l x w x h [mm]	W	V <sub>AC</sub>	Hz	lm	lm/W	K
FL PFM 65W/4000K SYM 100 SL BK	4058075461093	268 x 237 x 49	65	100-277 V	50/60 Hz	8000	120	4000
FL PFM 80W/4000K SYM 100 SL BK	4058075461130	335 x 250 x 55	80	100-277 V	50/60 Hz	10000	120	4000
FL PFM 125W/4000K SYM 100 SL BK	4058075461161	381 x 290 x 59	125	100-277 V	50/60 Hz	15000	120	4000
FL PFM 165W/4000K SYM 100 SL BK	4058075461185	418 x 322 x 60	165	100-277 V	50/60 Hz	20000	120	4000
FL PFM 200W/4000K SYM 100 SL BK	4058075461208	454 x 354 x 62	200	100-277 V	50/60 Hz	25000	120	4000

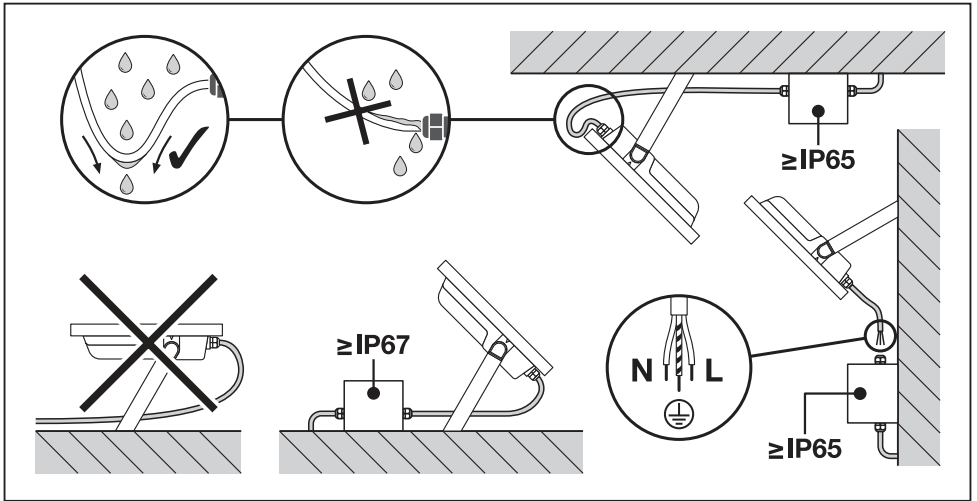
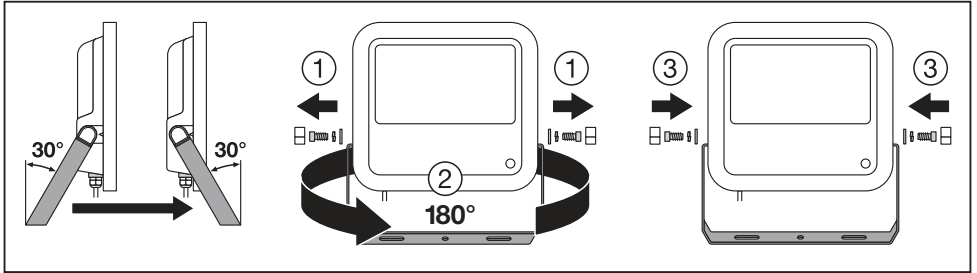
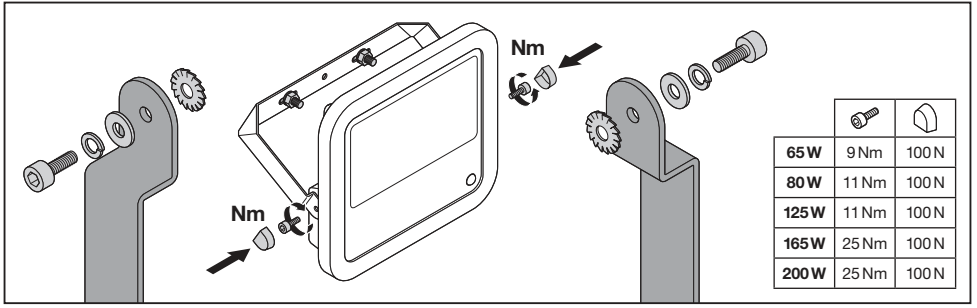
	EAN	IP	IK	∠	R <sub>a</sub>	° (°C)	PF	👤
FL PFM 65W/4000K SYM 100 SL BK	4058075461093	65	08	100°	≥ 80	-30...+50	> 0.9	2.1 kg
FL PFM 80W/4000K SYM 100 SL BK	4058075461130	65	08	100°	≥ 80	-30...+50	> 0.9	2.8 kg
FL PFM 125W/4000K SYM 100 SL BK	4058075461161	65	08	100°	≥ 80	-30...+50	> 0.9	3.8 kg
FL PFM 165W/4000K SYM 100 SL BK	4058075461185	65	08	100°	≥ 80	-30...+50	> 0.9	4.8 kg
FL PFM 200W/4000K SYM 100 SL BK	4058075461208	65	08	100°	≥ 80	-30...+50	> 0.9	6.0 kg



							230 Vac		
		A	B	C			C10A	B16A	C16A
65W		150	108	8.5	2x M8	0.046 m <sup>2</sup>			
80W		150	108	10.5	2x M10	0.061 m <sup>2</sup>			
125W		170	118	10.5	2x M10	0.083 m <sup>2</sup>			
165W		170	118	12.5	2x M12	0.102 m <sup>2</sup>			
200W		170	118	12.5	2x M12	0.124 m <sup>2</sup>			







**RoHS**



C10449057  
 G11093927  
 07.04.20



**LEDVANCE GmbH**  
 Steinerne Furt 62  
 86167 Augsburg, Germany  
[www.ledvance.com](http://www.ledvance.com)