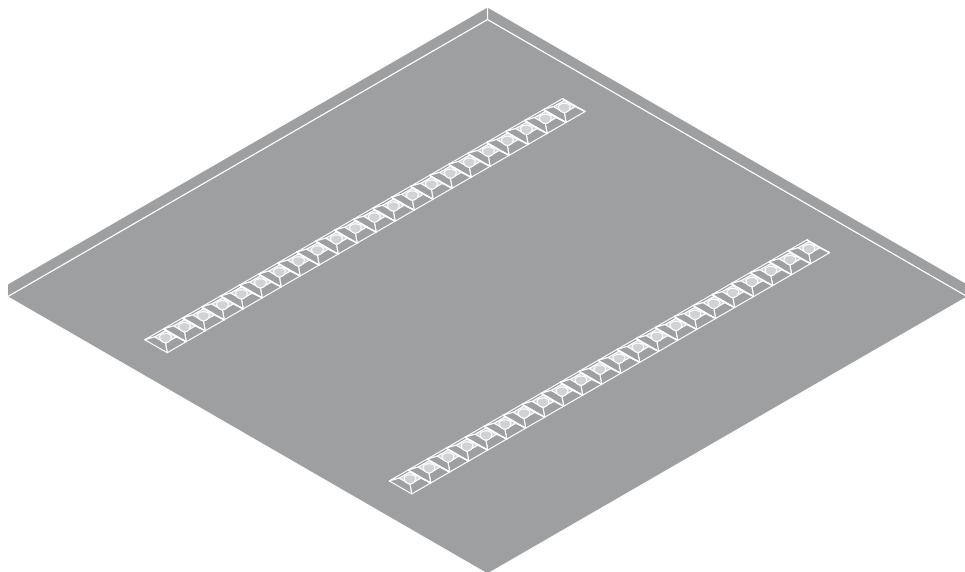
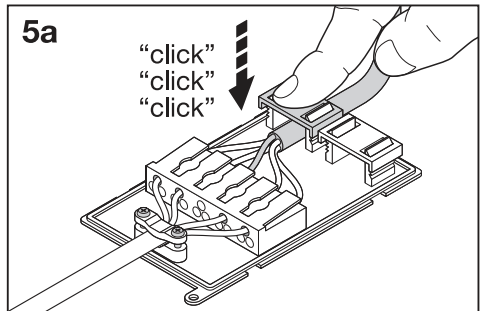
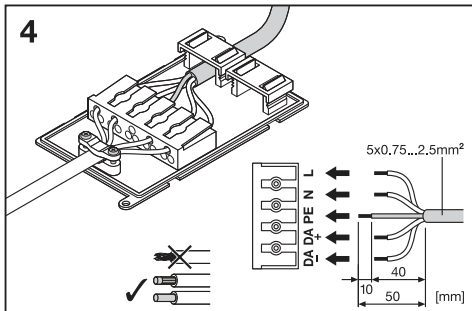
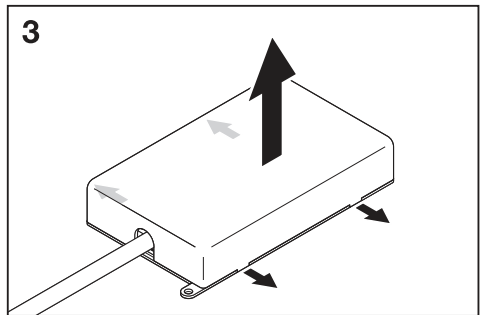
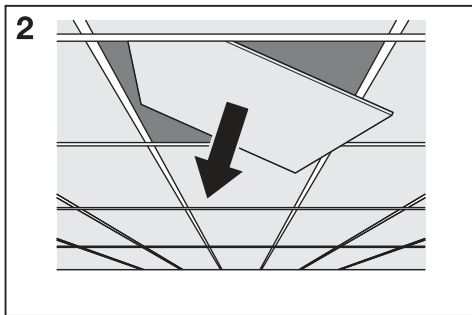
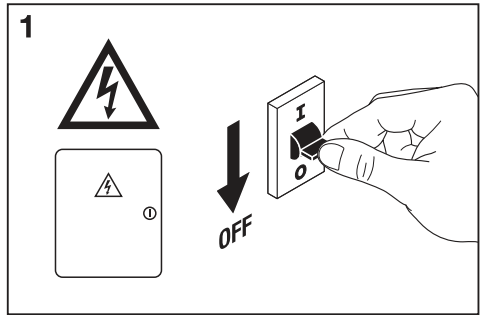
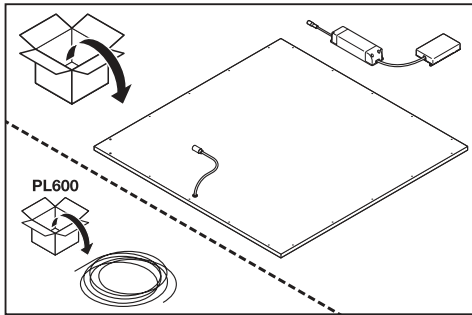
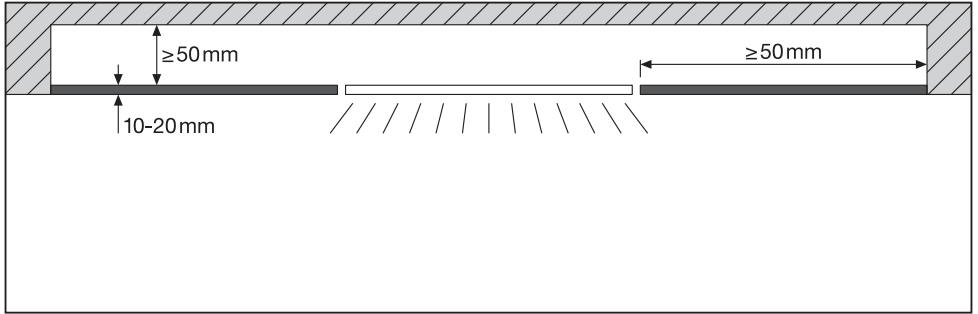


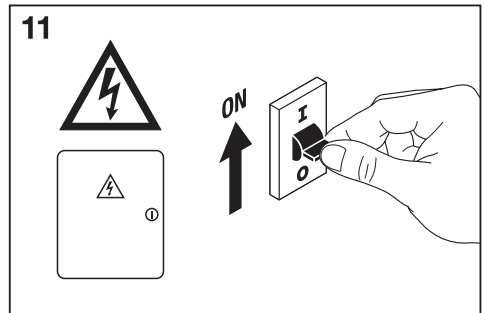
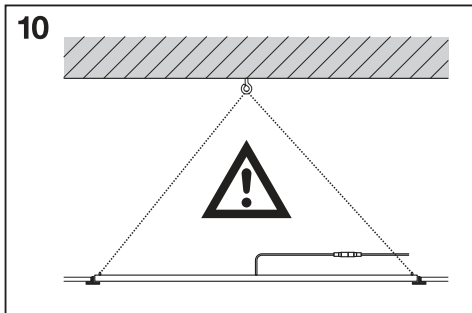
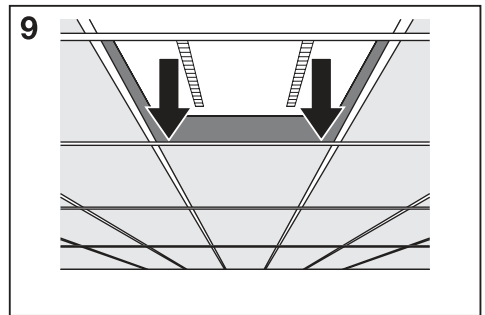
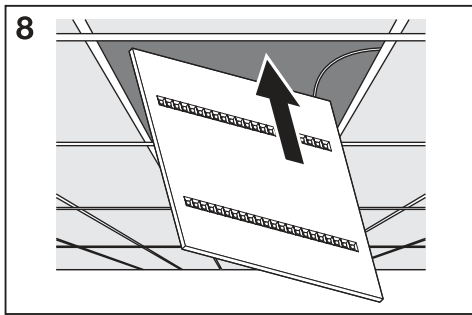
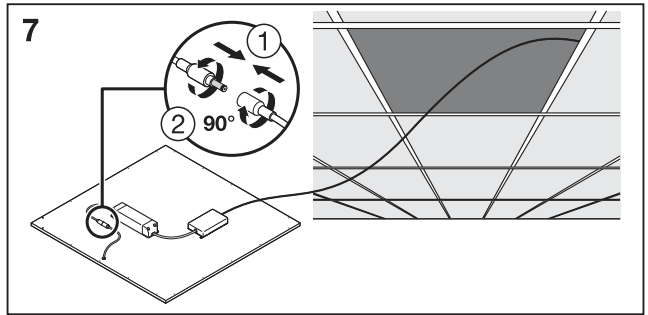
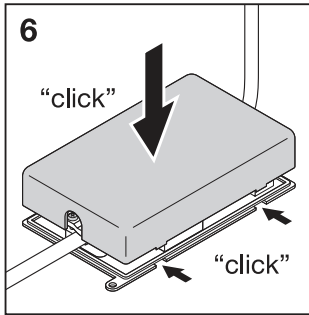
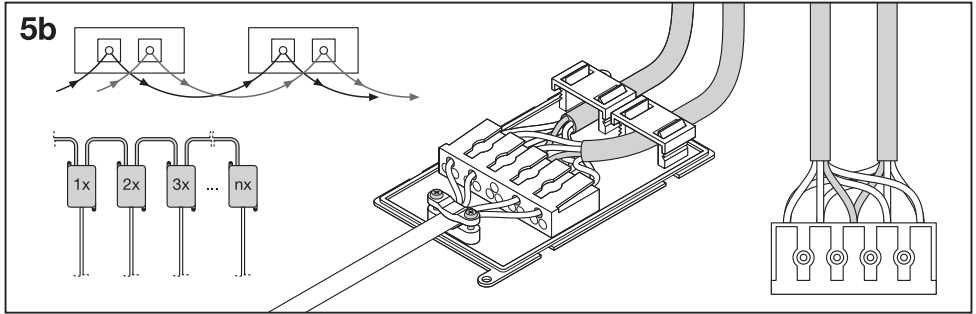
PANEL IndiviLED® DALI 600/625



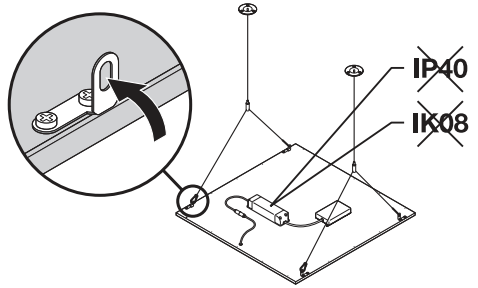
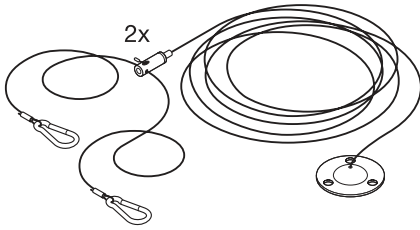
| | EAN | l x w x h [mm] | W | V _{AC} | Hz | Im | W (230 V DC) | Im (230 V DC) | Im/W |
|-----------------------------------|---------------|----------------|----|-----------------|---------|------|-----------------|------------------|------|
| PL INDV 600 33W/3000K DALI | 4058075503885 | 595 x 595 x 13 | 33 | 220-240V | 50/60Hz | 3800 | 6 | 570 | 115 |
| PL INDV 600 33W/4000K DALI | 4058075503861 | 595 x 595 x 13 | 33 | 220-240V | 50/60Hz | 4000 | 6 | 570 | 120 |
| PL INDV 625 33W/4000K DALI | 4058075503922 | 620 x 620 x 13 | 33 | 220-240V | 50/60Hz | 4000 | 6 | 570 | 120 |

| | EAN | K | IP | IK | ∠ | R _a | mAAC | mADC | °(°C) | PF | 👤 |
|-----------------------------------|---------------|------|----|----|-----|----------------|------|------|-----------|------|--------|
| PL INDV 600 33W/3000K DALI | 4058075503885 | 3000 | 40 | 08 | 70° | ≥80 | 850 | 140 | -20...+45 | >0.9 | 3.5 kg |
| PL INDV 600 33W/4000K DALI | 4058075503861 | 4000 | 40 | 08 | 70° | ≥80 | 850 | 140 | -20...+45 | >0.9 | 3.5 kg |
| PL INDV 625 33W/4000K DALI | 4058075503922 | 4000 | 40 | 08 | 70° | ≥80 | 850 | 140 | -20...+45 | >0.9 | 3.6 kg |

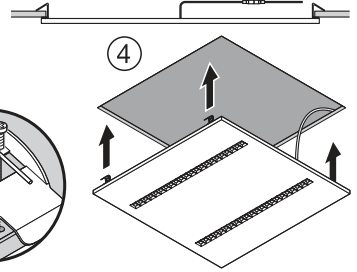
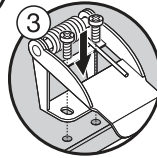
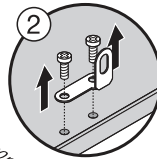
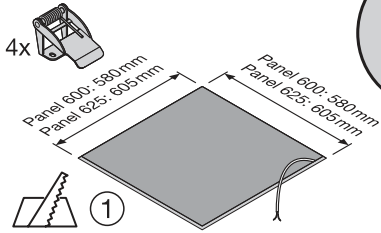




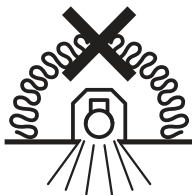
SUSPENSION KIT
EAN 4058075402928



RECESSED MOUNT CLIPS VALUE
EAN 4058075409859



| | | | | | | |
|--|-------------|-------------|-------------|--|-----------------------------|------------|
| | C10A | B16A | C16A | DALI | I_{OUT} [mA] | DIM |
| | | | | OSRAM OTI DALI 50/220...240/1A4 NFC | 850 | |
| | n=21 | n=20 | n=33 | | | |



C10449057
 G11100927
 30.06.20



RoHS



LEDVANCE GmbH
 Steinerne Furt 62
 86167 Augsburg, Germany
www.ledvance.com