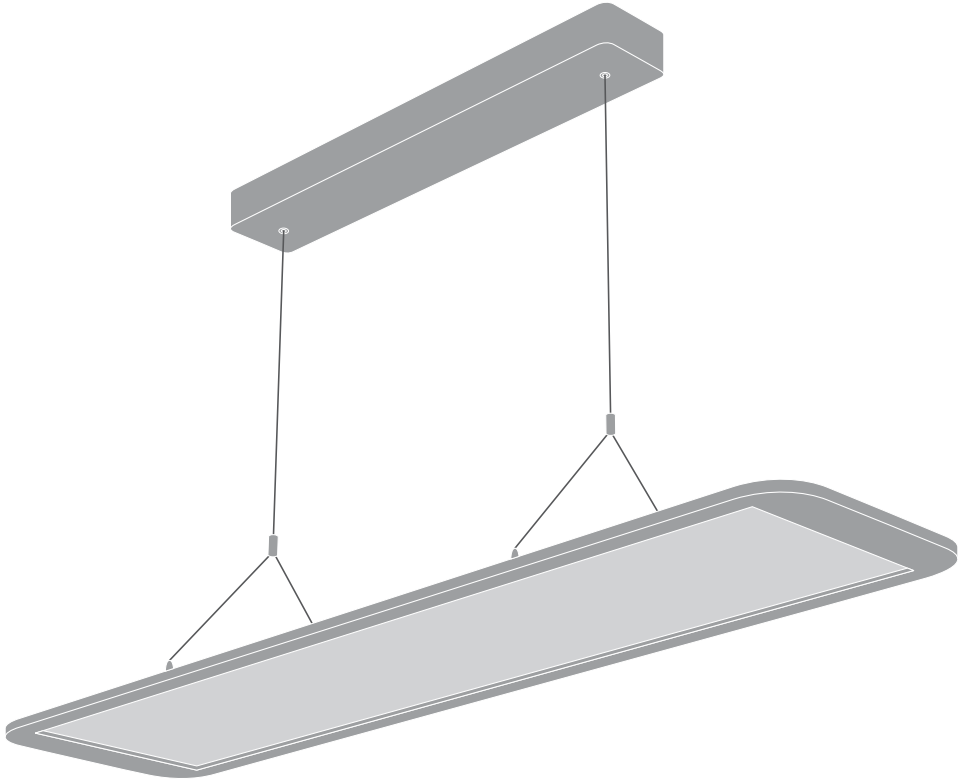
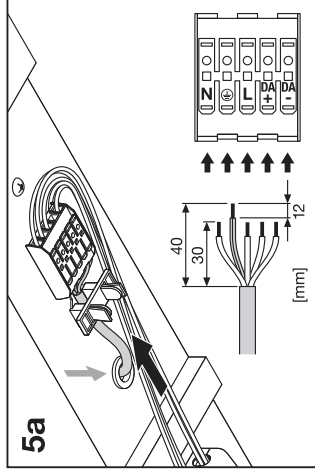
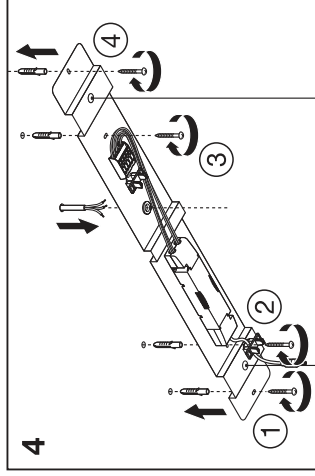
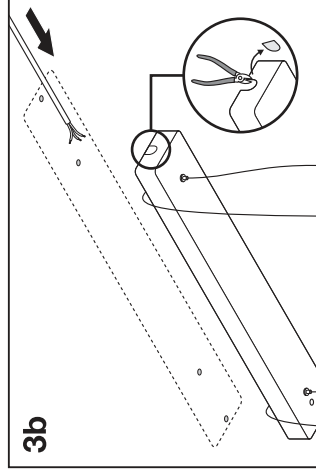
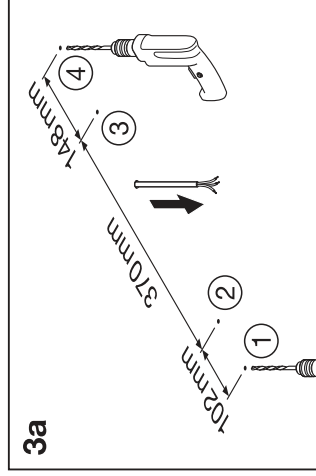
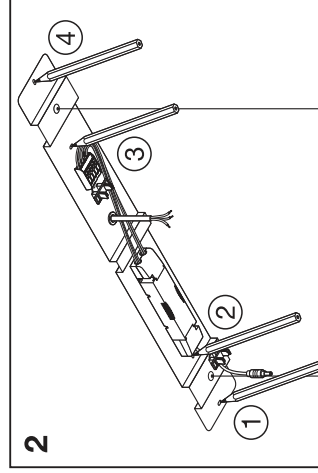
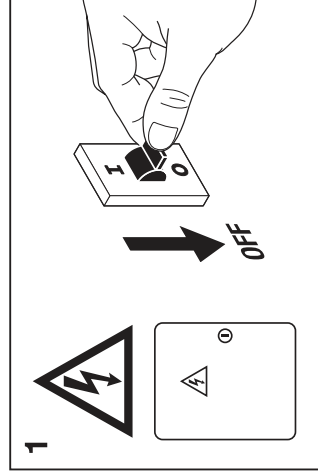
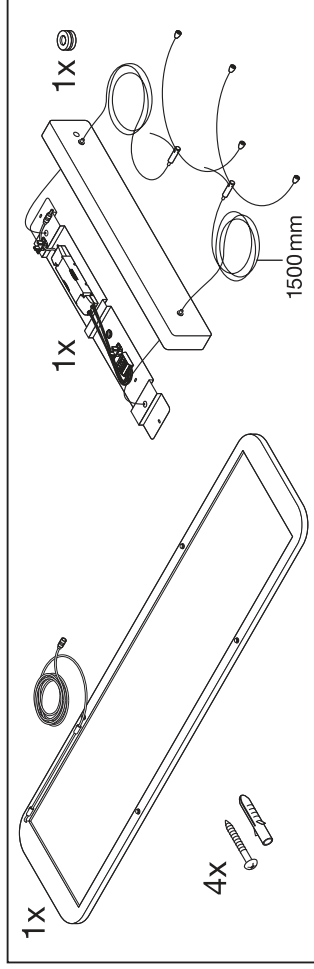


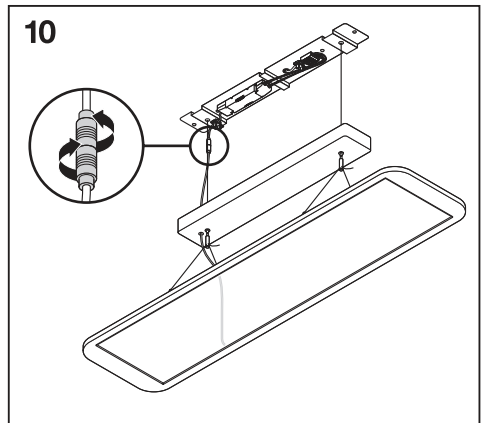
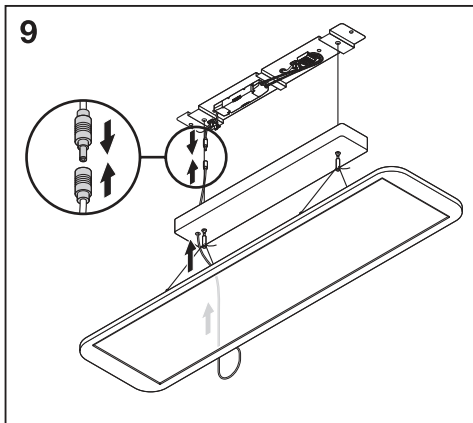
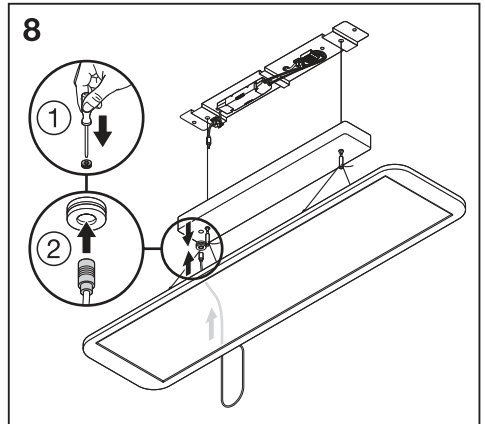
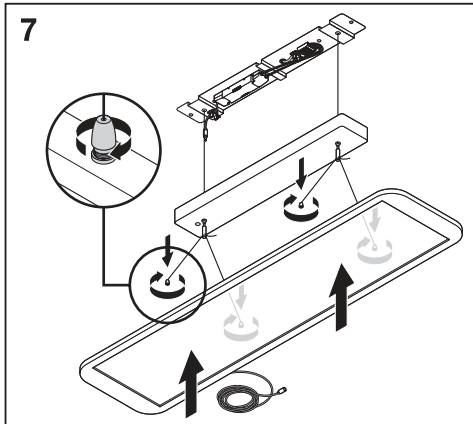
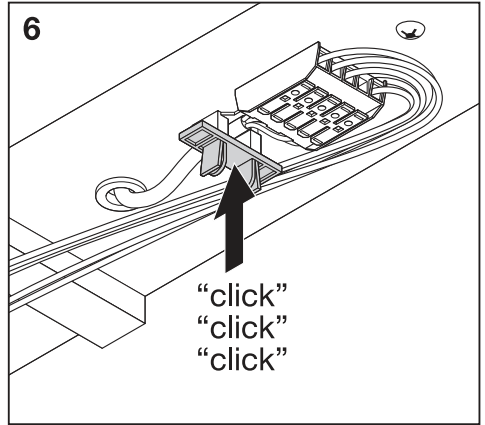
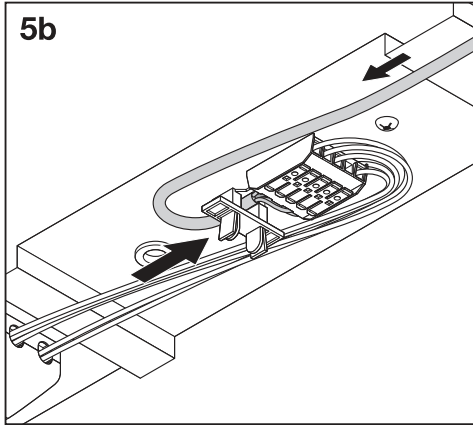
## PANEL DIRECT/INDIRECT 1200 UGR < 19 DALI

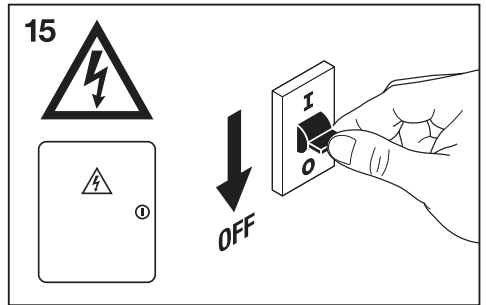
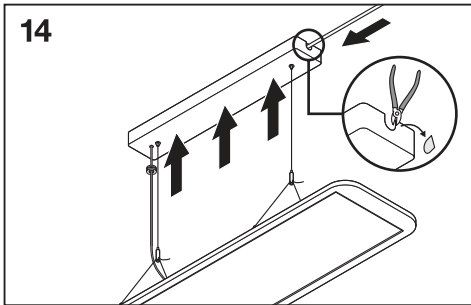
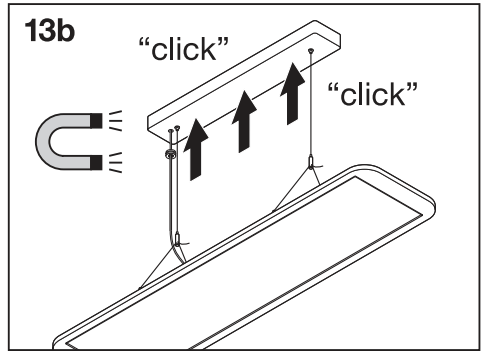
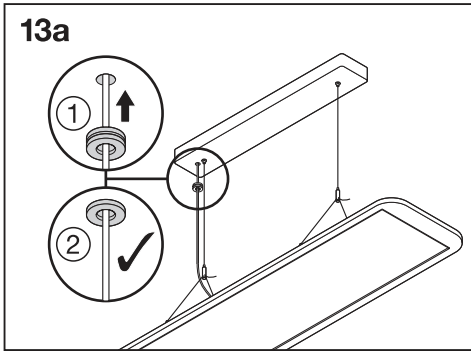
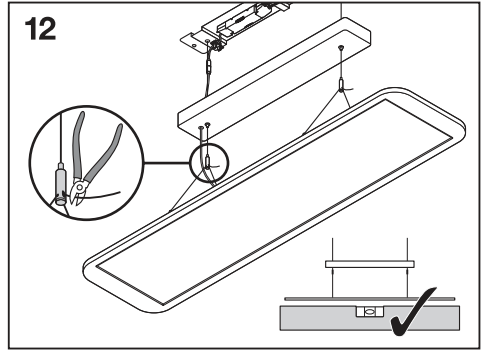
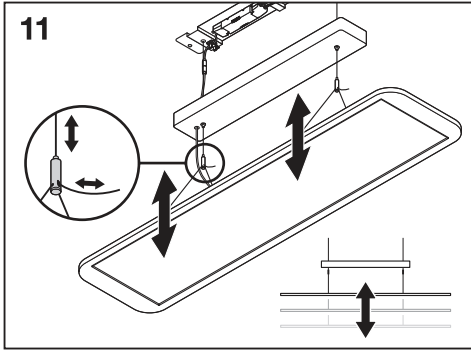


	EAN	l x w x h [mm]	W	W (230V DC)	V <sub>AC</sub>	Hz	Im	Im (230V DC)
PANEL D/I 1200 36W/3000K UGR 19 DALI	4058075504028	1200x300x16	36	7.2	220-240V	0/50/60 Hz	3800	570
PANEL D/I 1200 36W/4000K UGR 19 DALI	4058075504042	1200x300x16	36	7.2	220-240V	0/50/60 Hz	4000	600

	EAN	Im/W	K	IP	IK	∇	R <sub>a</sub>	°(°C)	PF	👤
PANEL D/I 1200 36W/3000K UGR 19 DALI	4058075504028	105	3000	20	03	110°	≥ 80	-20...+45	> 0.9	3.5 kg
PANEL D/I 1200 36W/4000K UGR 19 DALI	4058075504042	110	4000	20	03	110°	≥ 80	-20...+45	> 0.9	3.5 kg







C10A	B16A	C16A	DALI	I <sub>out</sub> [mA]	DIM
n=21	n=20	n=33	OSRAM OTi DALI 50/220...240/1A4 NFC	800	✓



C10449057  
G11099661  
12.06.20



LEDVANCE GmbH  
Steinerne Furt 62  
86167 Augsburg, Germany  
[www.ledvance.com](http://www.ledvance.com)