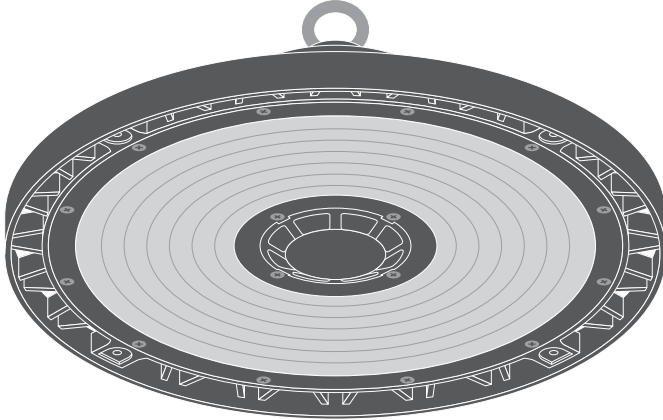
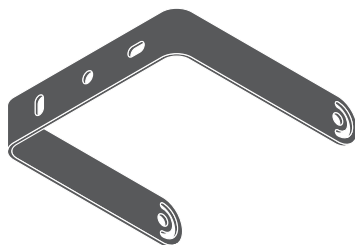


HIGHBAY Gen3

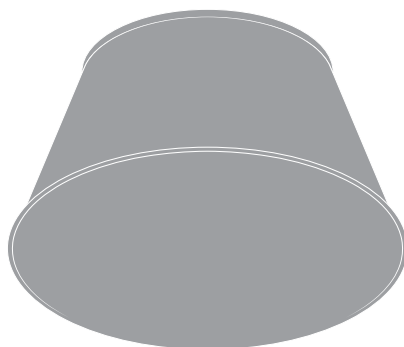


	EAN	Øxh [mm]	W	V _{AC}	Hz	lm	lm/W	K
HB 93W/4000K 110DEG IP65	4058075452367	280x143	93	220-240V	50/60 Hz	13000	140	4000
HB 93W/4000K 70DEG IP65	4058075452374	280x143	93	220-240V	50/60 Hz	13000	140	4000
HB 155W/4000K 110DEG IP65	4058075452381	321x140	155	220-240V	50/60 Hz	22000	140	4000
HB 155W/4000K 70DEG IP65	4058075452411	321x140	155	220-240V	50/60 Hz	22000	140	4000
HB 190W/4000K 110DEG IP65	4058075452428	321x164	190	220-240V	50/60 Hz	27000	140	4000
HB 190W/4000K 70DEG IP65	4058075452459	321x164	190	220-240V	50/60 Hz	27000	140	4000
HB 210W/4000K 70DEG IP65	4058075452466	321x164	210	220-240V	50/60 Hz	30000	140	4000
HB 93W/6500K 110DEG IP65	4058075452510	280x143	93	220-240V	50/60 Hz	13000	140	6500
HB 93W/6500K 70DEG IP65	4058075452541	280x143	93	220-240V	50/60 Hz	13000	140	6500
HB 155W/6500K 110DEG IP65	4058075452572	321x140	155	220-240V	50/60 Hz	22000	140	6500
HB 190W/6500K 70DEG IP65	4058075452589	321x164	190	220-240V	50/60 Hz	27000	140	6500
HB 210W/6500K 70DEG IP65	4058075452596	321x164	210	220-240V	50/60 Hz	30000	140	6500

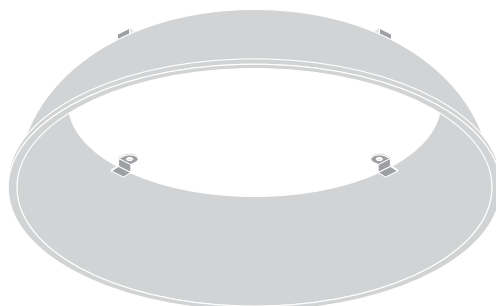
	EAN	IP	IK	∠	R _a	⊖ (°C)	PF	⚖
HB 93W/4000K 110DEG IP65	4058075452367	65	08	110°	≥80	-30 ... +50	≥0.9	1.8 kg
HB 93W/4000K 70DEG IP65	4058075452374	65	08	70°	≥80	-30 ... +50	≥0.9	1.8 kg
HB 155W/4000K 110DEG IP65	4058075452381	65	08	110°	≥80	-30 ... +50	≥0.9	2.3 kg
HB 155W/4000K 70DEG IP65	4058075452411	65	08	70°	≥80	-30 ... +50	≥0.9	2.3 kg
HB 190W/4000K 110DEG IP65	4058075452428	65	08	110°	≥80	-30 ... +50	≥0.9	2.7 kg
HB 190W/4000K 70DEG IP65	4058075452459	65	08	70°	≥80	-30 ... +50	≥0.9	2.7 kg
HB 210W/4000K 70DEG IP65	4058075452466	65	08	70°	≥80	-30 ... +50	≥0.9	2.7 kg
HB 93W/6500K 110DEG IP65	4058075452510	65	08	110°	≥80	-30 ... +50	≥0.9	1.8 kg
HB 93W/6500K 70DEG IP65	4058075452541	65	08	70°	≥80	-30 ... +50	≥0.9	1.8 kg
HB 155W/6500K 110DEG IP65	4058075452572	65	08	110°	≥80	-30 ... +50	≥0.9	2.7 kg
HB 190W/6500K 70DEG IP65	4058075452589	65	08	70°	≥80	-30 ... +50	≥0.9	2.7 kg
HB 210W/6500K 70DEG IP65	4058075452596	65	08	70°	≥80	-30 ... +50	≥0.9	2.7 kg



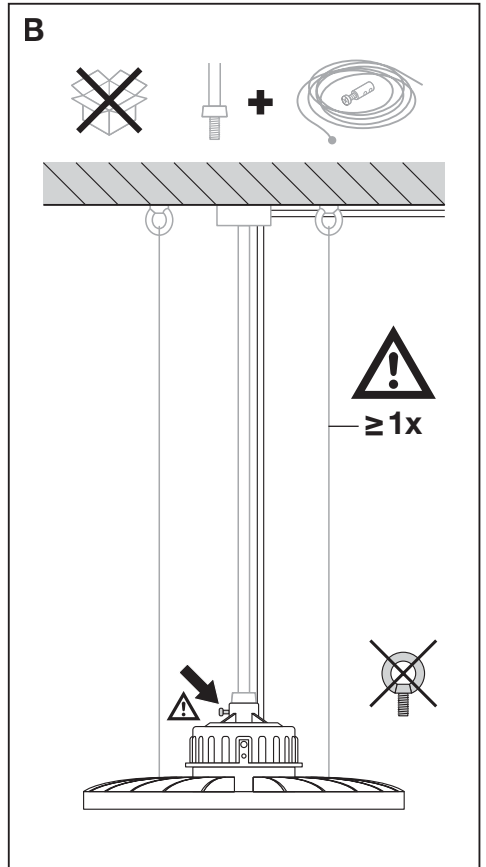
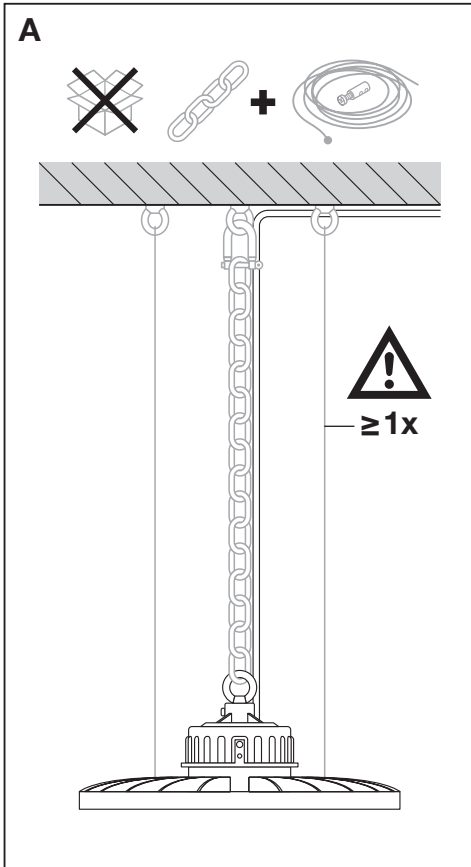
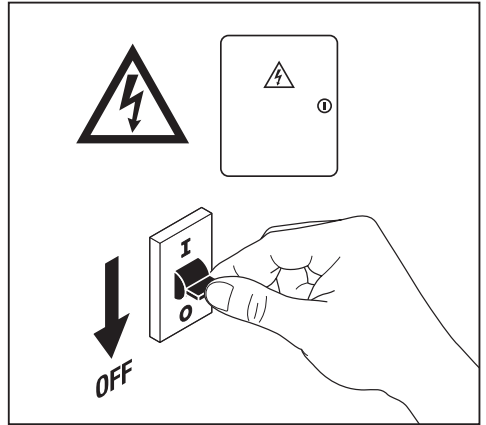
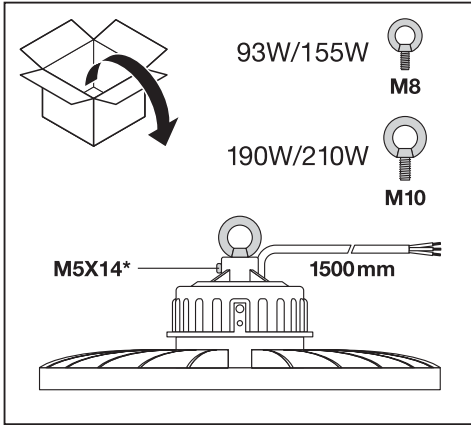
	EAN	l x w x h [mm]	👤
HB Bracket 93W-155W	4058075505285	122 x 35 x 150	0.3 kg
HB Bracket 190W-210W	4058075505308	138 x 35 x 150	0.3 kg







	EAN	Ø x h [mm]	👤
HB ALU REFLECTOR 93W	4058075507043	415 x 208	0.5 kg
HB ALU REFLECTOR 155-210W	4058075507050	499 x 250	0.6 kg

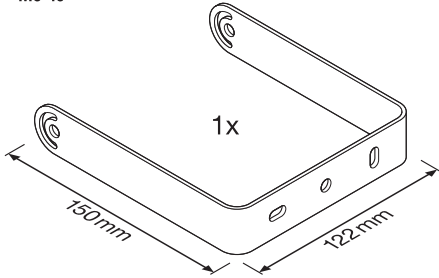


	EAN	Ø x h [mm]	👤
HB PC REFRACTOR 93W	4058075507029	309 x 76	0.2 kg
HB PC REFRACTOR 155-210W	4058075507036	414 x 138	0.4 kg




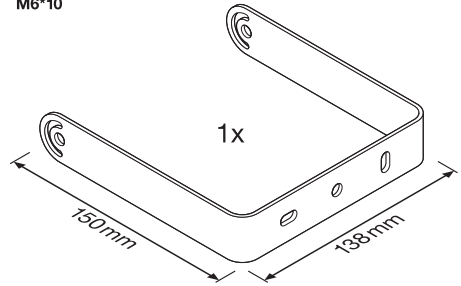
HB Bracket 93W-155W
EAN 4058075505285

- 2x  M6*10
- 2x  M6
- 2x  M6
- 2x  M4*6






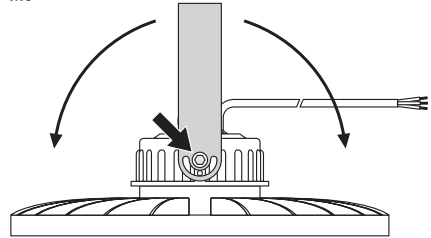
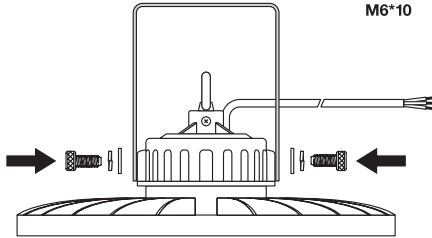
HB Bracket 190W-210W
EAN 4058075505308

- 2x  M6*10
- 2x  M6
- 2x  M6
- 2x  M4*6



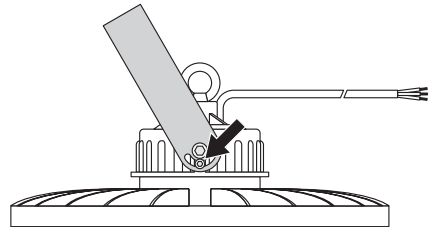
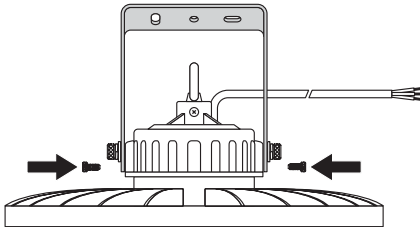
1

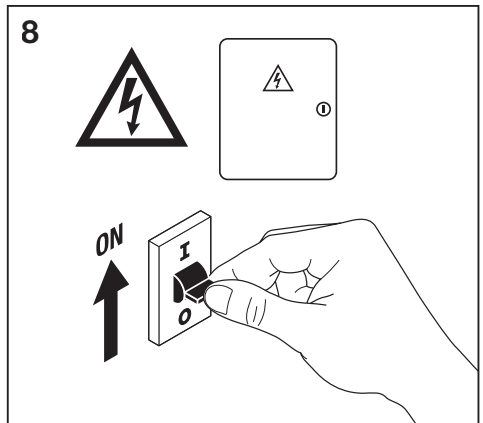
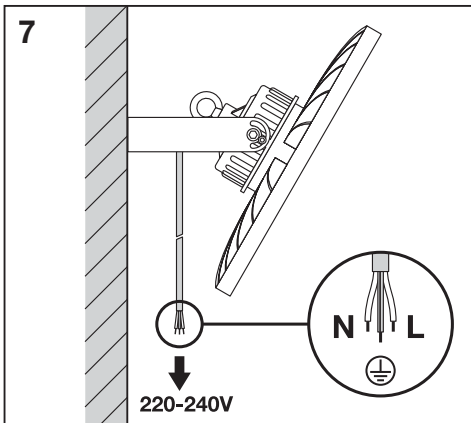
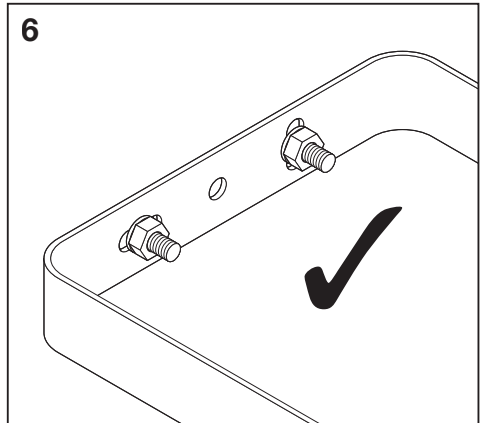
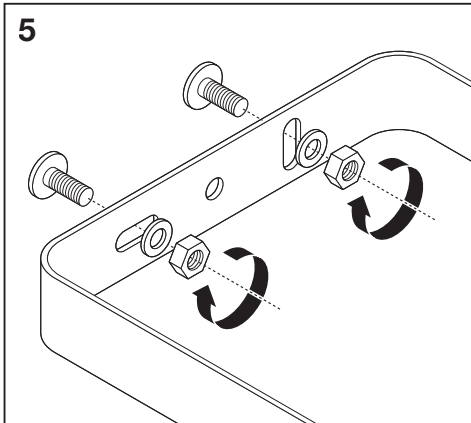
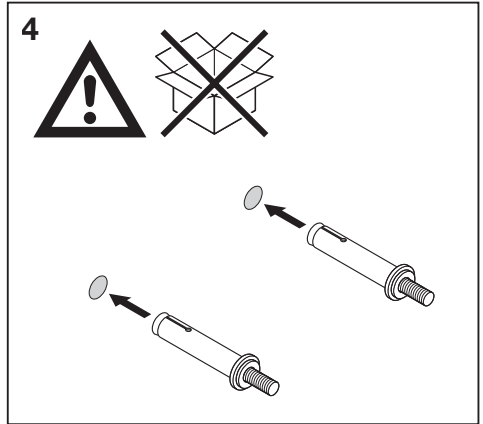
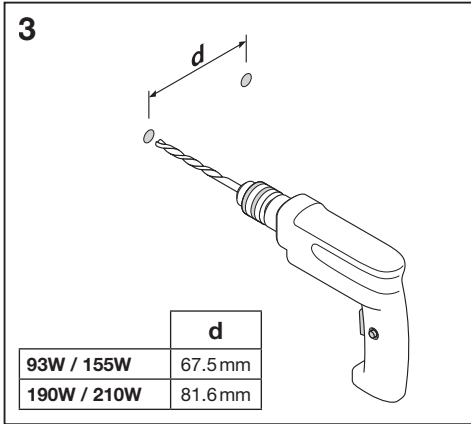
- 2x  M6*10
- 2x  M6
- 2x  M6

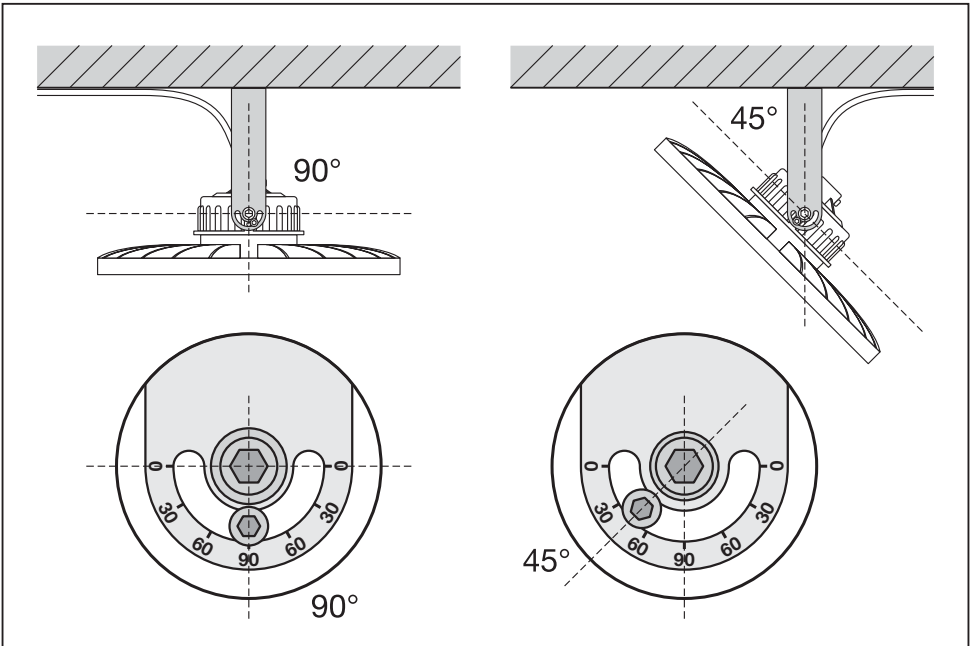
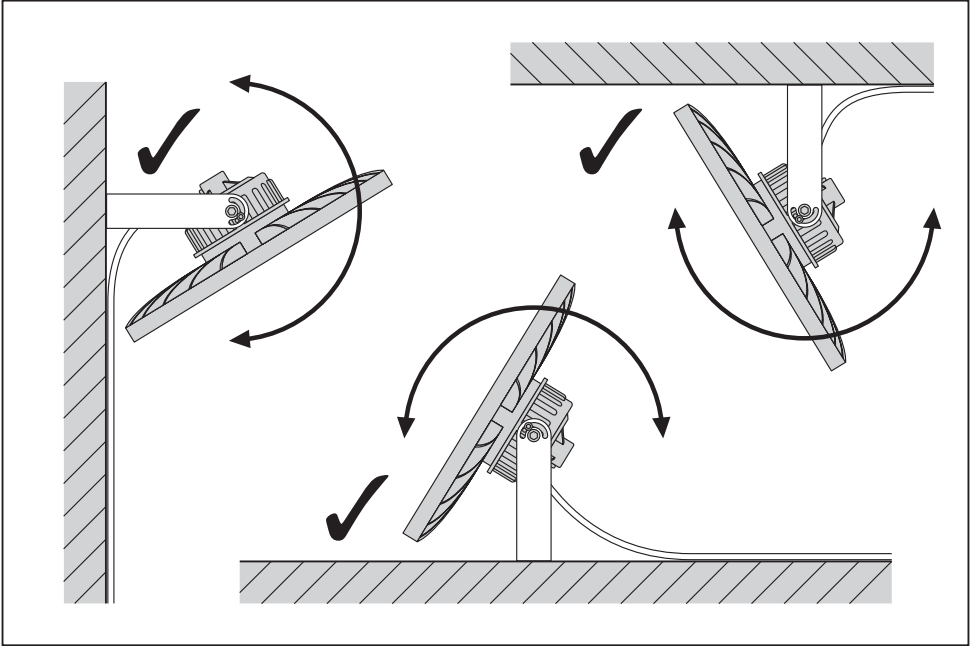


2

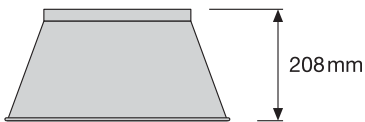
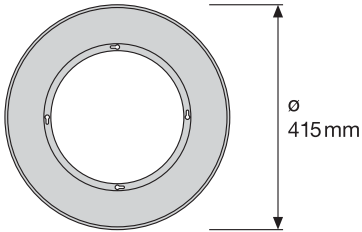
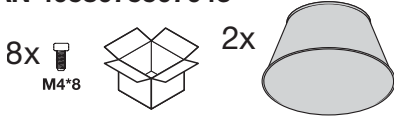
- 2x  M4*6



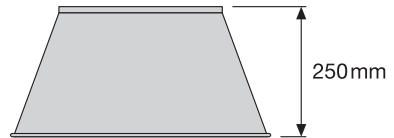
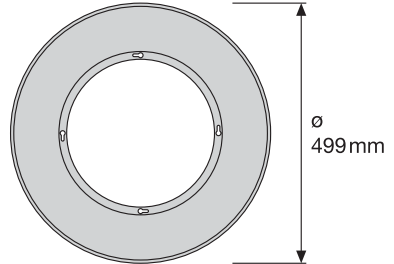
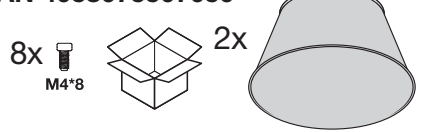




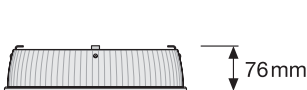
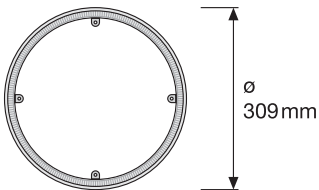
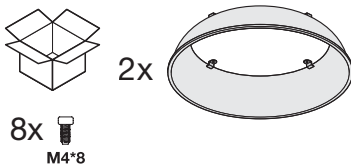
HB ALU REFLECTOR 93W
EAN 4058075507043



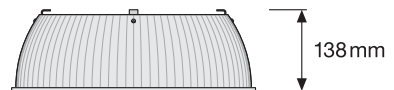
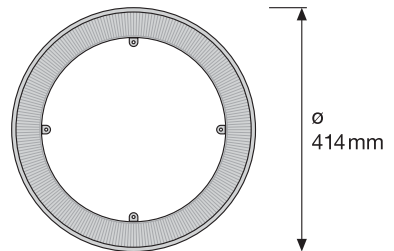
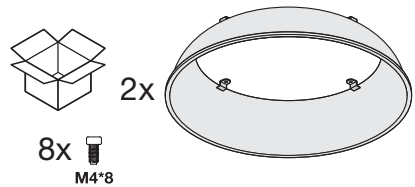
HB ALU REFLECTOR 155W-210W
EAN 4058075507050



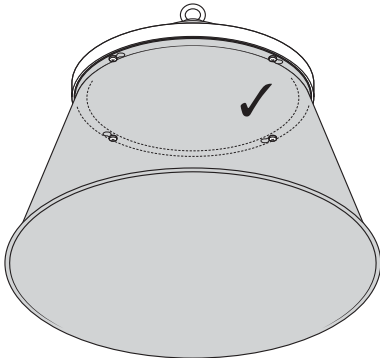
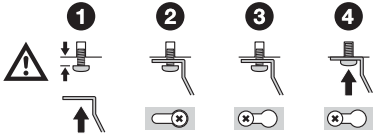
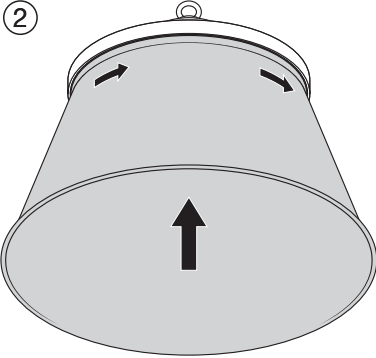
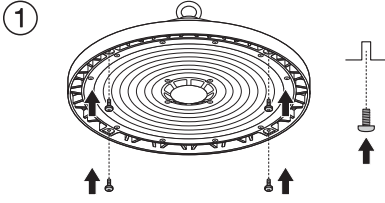
HB PC REFRACTOR 93W
EAN 4058075507029



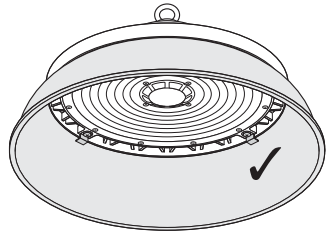
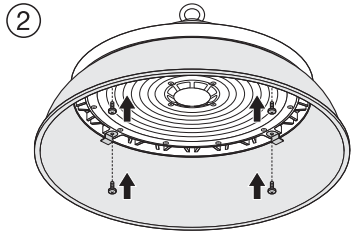
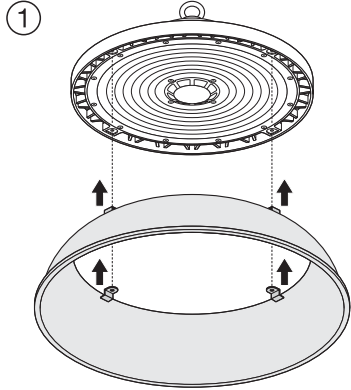
HB PC REFRACTOR 155W-210W
EAN 4058075507036



HB ALU REFLECTOR 93W-210W



HB PC REFRACTOR 93W-210W



CE EAC

RoHS



C10449058
G11098961
05.06.20



LEDVANCE GmbH
Steinerne Furt 62
86167 Augsburg, Germany
www.ledvance.com