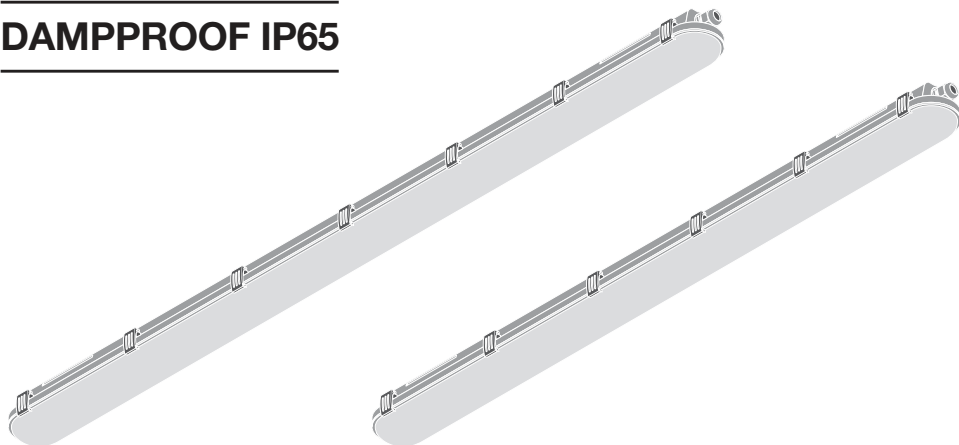
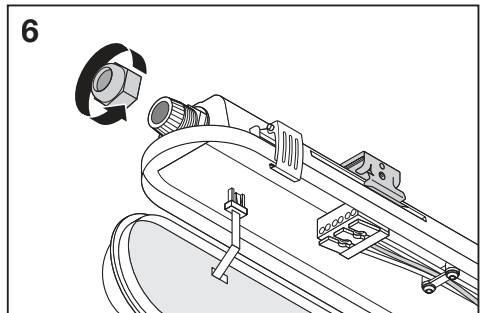
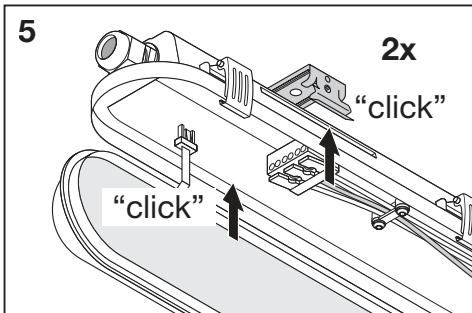
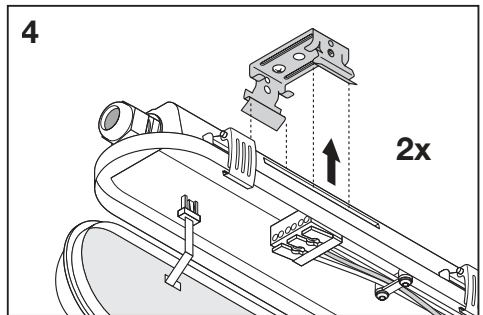
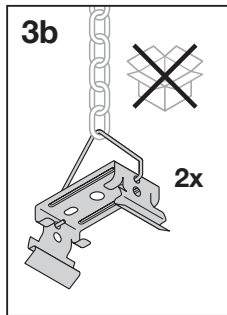
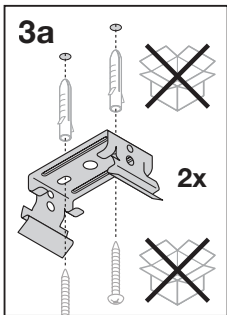
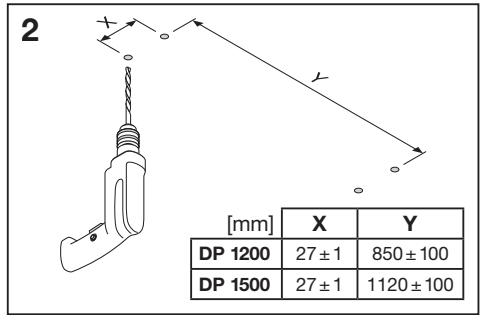
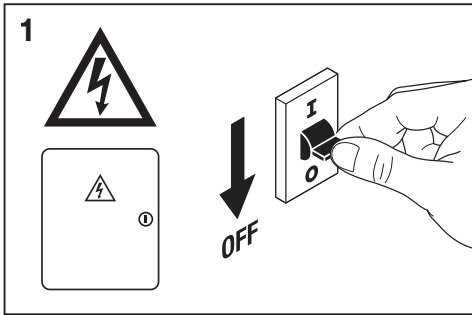
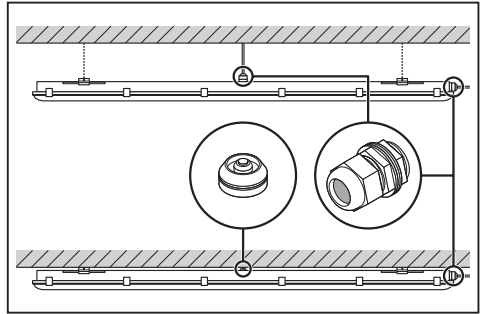
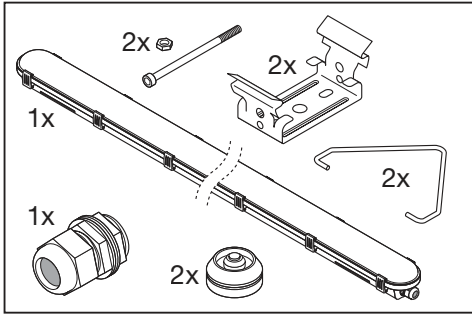


DAMPPROOF IP65

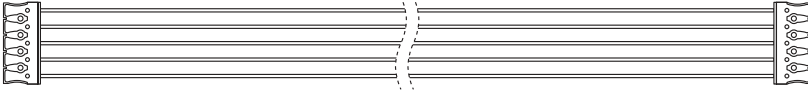


	EAN	l x w x h [mm]	W	V _{AC}	Hz	lm	lm/W
DP 1200 18W 840 IP65 GY	4058075541047	1200x82x68	18	220-240V	50/60Hz	2400	135
DP 1200 18W 865 IP65 GY	4058075541061	1200x82x68	18	220-240V	50/60Hz	2400	135
DP 1200 32W 830 IP65 GY	4058075541085	1200x82x68	32	220-240V	50/60Hz	4000	125
DP 1200 32W 840 IP65 GY	4058075541108	1200x82x68	32	220-240V	50/60Hz	4400	135
DP 1200 32W 865 IP65 GY	4058075541122	1200x82x68	32	220-240V	50/60Hz	4400	135
DP 1500 26W 840 IP65 GY	4058075541146	1500x82x68	26	220-240V	50/60Hz	3500	135
DP 1500 26W 865 IP65 GY	4058075541160	1500x82x68	26	220-240V	50/60Hz	3500	135
DP 1500 46W 830 IP65 GY	4058075541184	1500x82x68	46	220-240V	50/60Hz	5750	125
DP 1500 46W 840 IP65 GY	4058075541207	1500x82x68	46	220-240V	50/60Hz	6400	135
DP 1500 46W 865 IP65 GY	4058075541221	1500x82x68	46	220-240V	50/60Hz	6400	135
DP 1500 58W 840 IP65 GY	4058075541245	1500x82x68	58	220-240V	50/60Hz	8000	135
DP 1500 58W 865 IP65 GY	4058075541269	1500x82x68	58	220-240V	50/60Hz	8000	135
DP 1500 81W 840 IP65 GY	4058075541283	1500x82x68	81*	220-240V	50/60Hz	11000*	135*
DP 1500 81W 865 IP65 GY	4058075541306	1500x82x68	81*	220-240V	50/60Hz	11000*	135*

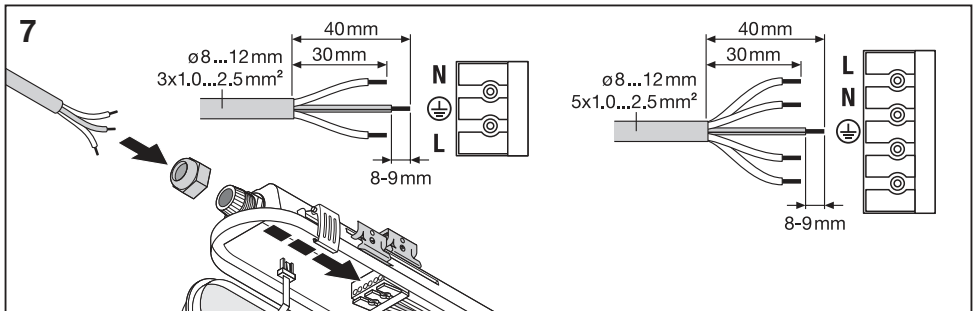
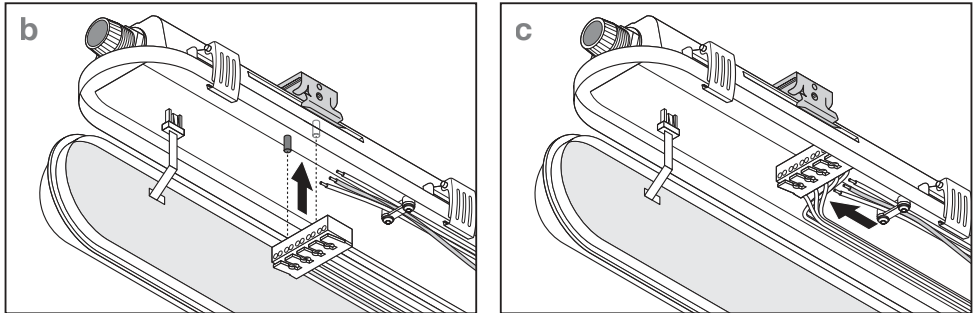
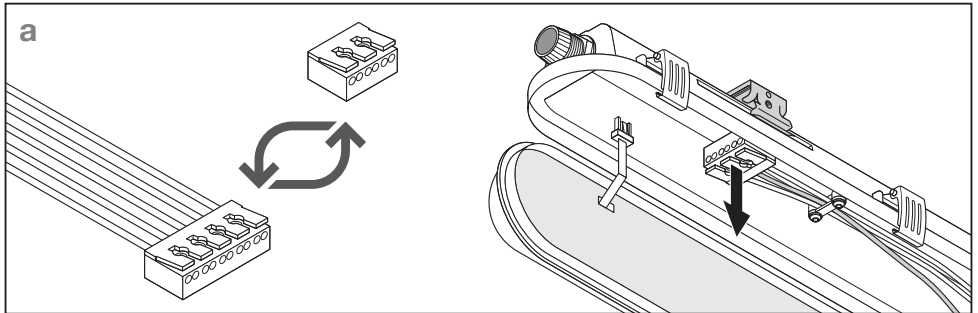
	EAN	K	IP	IK	∠	R _a	°(°C)	PF	👤
DP 1200 18W 840 IP65 GY	4058075541047	4000	65	08	110°	> 80	-25...+40	> 0.9	1.3 kg
DP 1200 18W 865 IP65 GY	4058075541061	6500	65	08	110°	> 80	-25...+40	> 0.9	1.3 kg
DP 1200 32W 830 IP65 GY	4058075541085	3000	65	08	110°	> 80	-25...+40	> 0.9	1.4 kg
DP 1200 32W 840 IP65 GY	4058075541108	4000	65	08	110°	> 80	-25...+40	> 0.9	1.4 kg
DP 1200 32W 865 IP65 GY	4058075541122	6500	65	08	110°	> 80	-25...+40	> 0.9	1.4 kg
DP 1500 26W 840 IP65 GY	4058075541146	4000	65	08	110°	> 80	-25...+40	> 0.9	1.6 kg
DP 1500 26W 865 IP65 GY	4058075541160	6500	65	08	110°	> 80	-25...+40	> 0.9	1.6 kg
DP 1500 46W 830 IP65 GY	4058075541184	3000	65	08	110°	> 80	-25...+40	> 0.9	1.7 kg
DP 1500 46W 840 IP65 GY	4058075541207	4000	65	08	110°	> 80	-25...+40	> 0.9	1.7 kg
DP 1500 46W 865 IP65 GY	4058075541221	6500	65	08	110°	> 80	-25...+40	> 0.9	1.7 kg
DP 1500 58W 840 IP65 GY	4058075541245	4000	65	08	110°	> 80	-25...+40	> 0.9	1.7 kg
DP 1500 58W 865 IP65 GY	4058075541269	6500	65	08	110°	> 80	-25...+40	> 0.9	1.7 kg
DP 1500 81W 840 IP65 GY	4058075541283	4000	65	08	110°	> 80	-25...+40	> 0.9	1.7 kg
DP 1500 81W 865 IP65 GY	4058075541306	6500	65	08	110°	> 80	-25...+40	> 0.9	1.7 kg

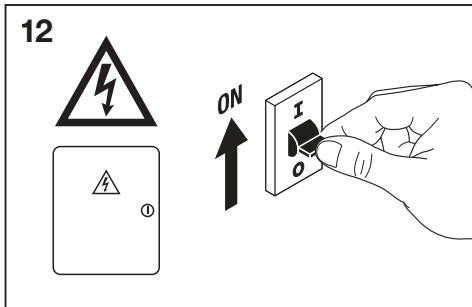
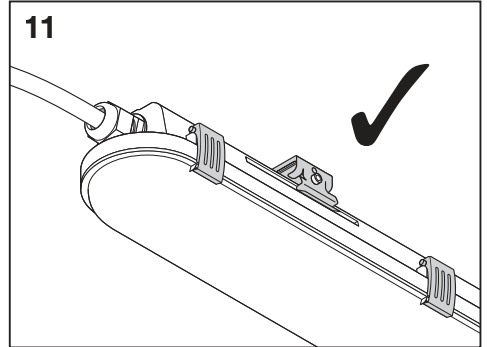
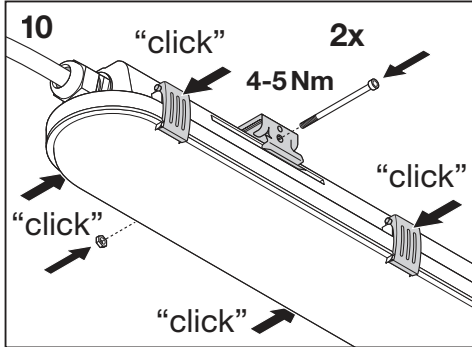
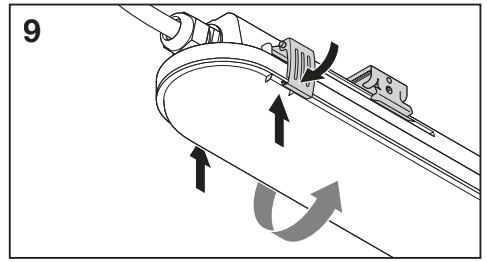
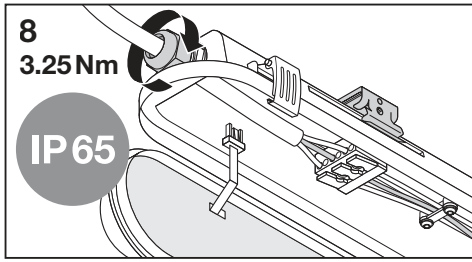


DP 1200 TH-KIT / EAN 4058075695030



DP 1500 TH-KIT / EAN 4058075695054





n	B16	C10	C16
DP 1200 18W	58	46	73
DP 1200 32W	27	24	39
DP 1500 26W	56	44	71
DP 1500 46W	26	23	37
DP 1500 58W	26	23	38
DP 1500 81W	13	16	26

* DP 1500 81W 840 IP65 GY
DP 1500 81W 865 IP65 GY

230V	LED	ON ↔ OFF		W	lm	lm/W	Input current driver [mA]	Output current [mA]
		PIN1	PIN2					
		ON	ON	81	11000	135	390	350
		ON	OFF	69	9600	139	340	300
		OFF	ON	57	8200	143	280	250
		OFF	OFF	46	6600	143	230	200

LEDVANCE GmbH
 Steinerne Furt 62
 86167 Augsburg, Germany
www.ledvance.com

© LEDVANCE Ltd, Aquila House
 Delta Crescent, Westbrook, Warrington
 WA5 7NR, United Kingdom

C10449057
 G11143568
 03.06.22

Points de collecte sur www.quefairedemesdechets.fr