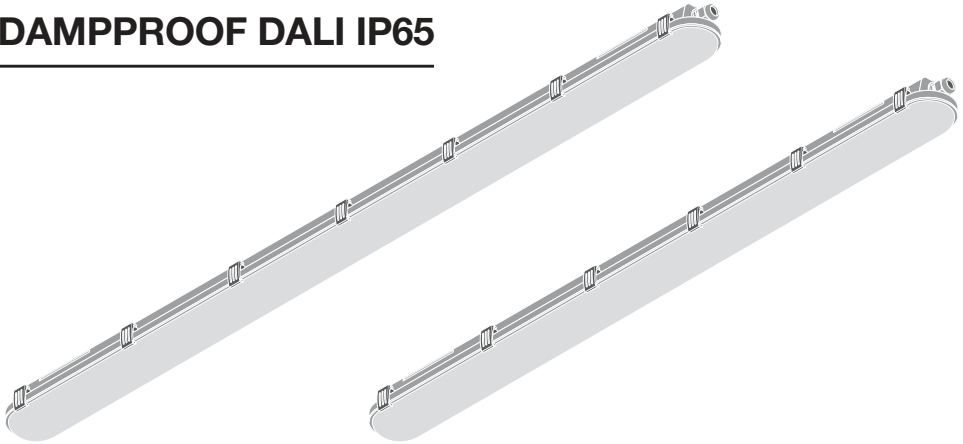
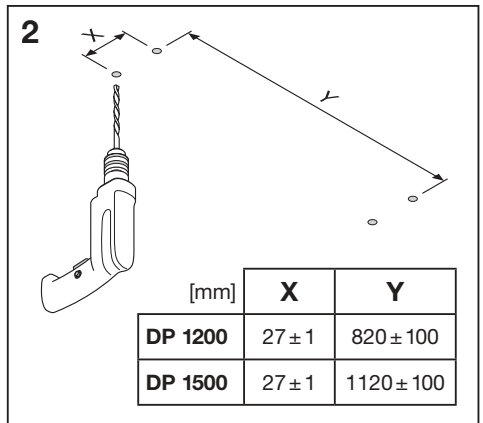
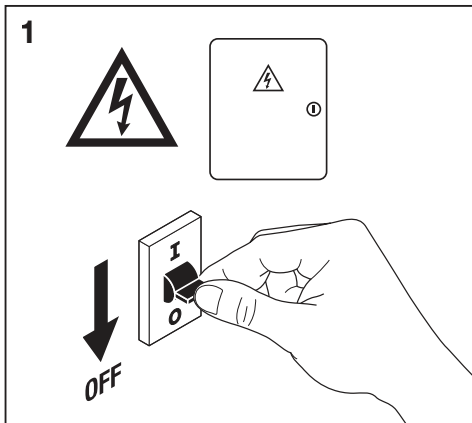
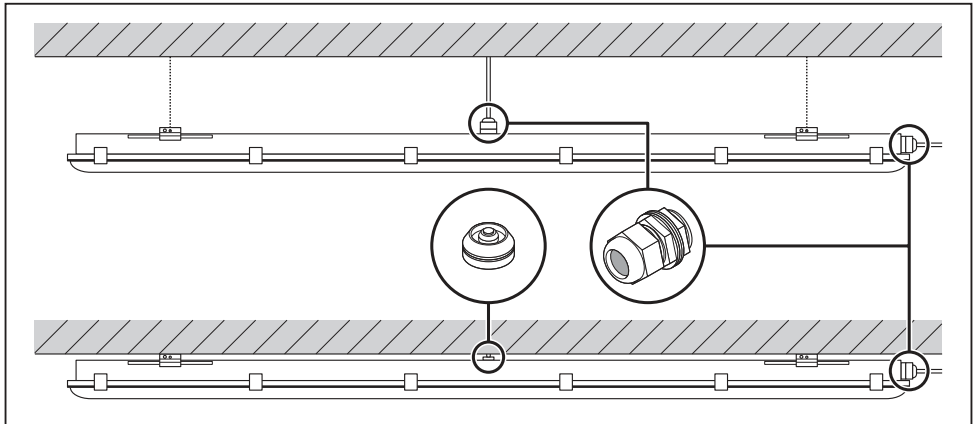
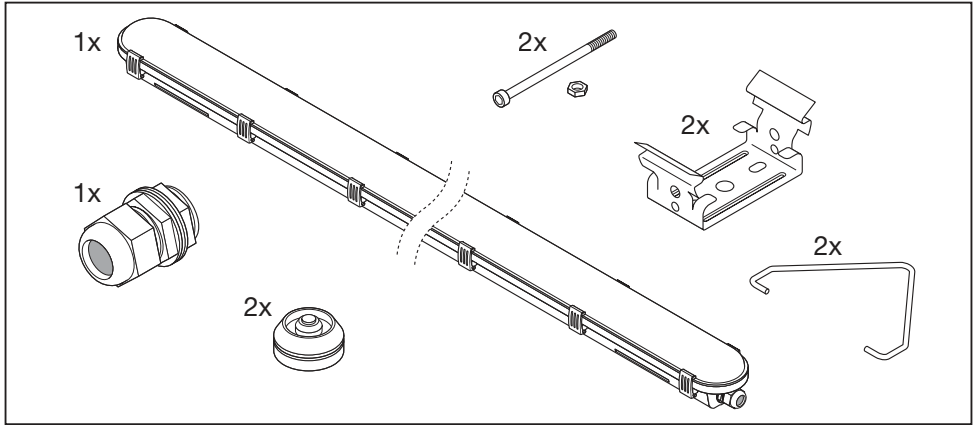


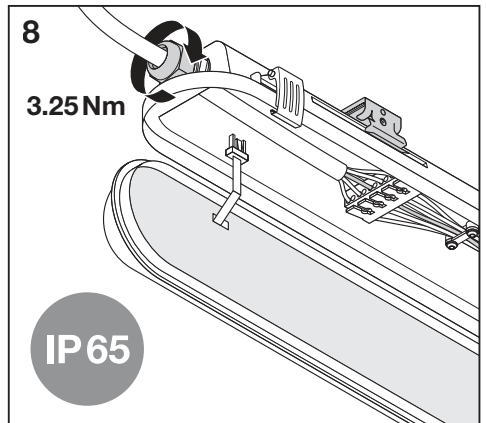
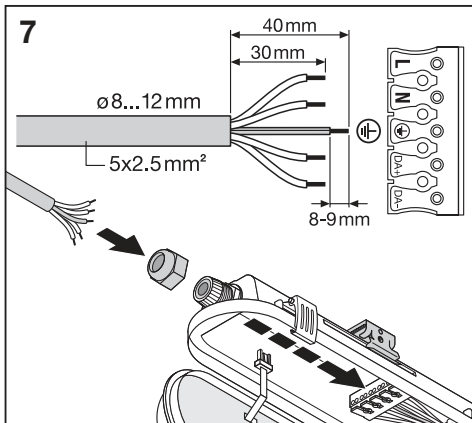
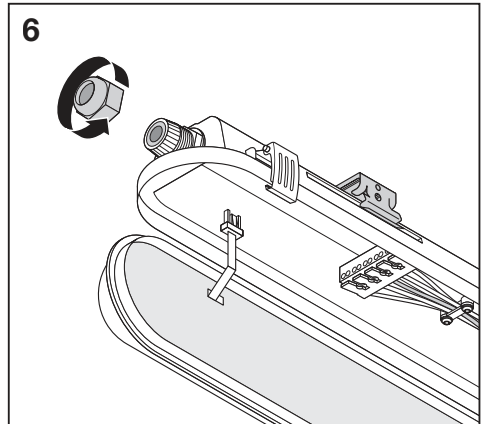
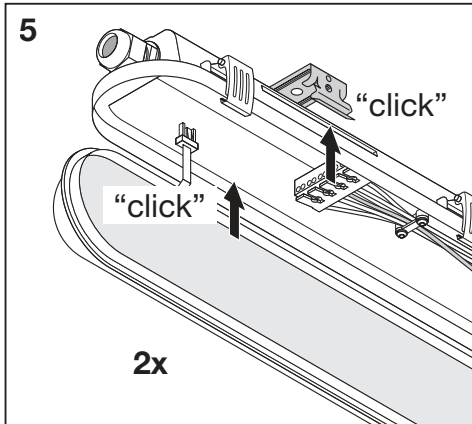
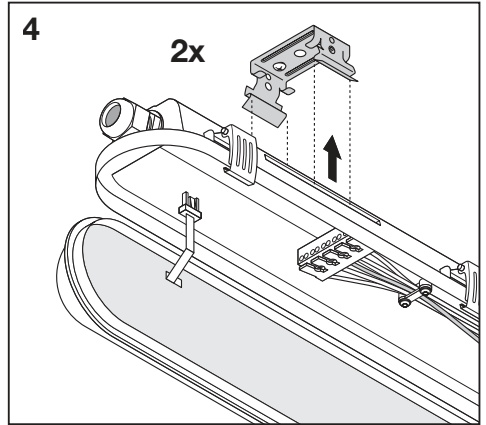
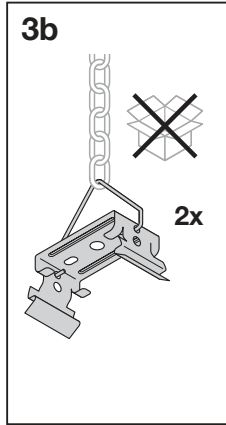
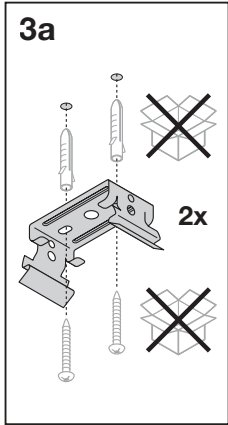
DAMPPROOF DALI IP65

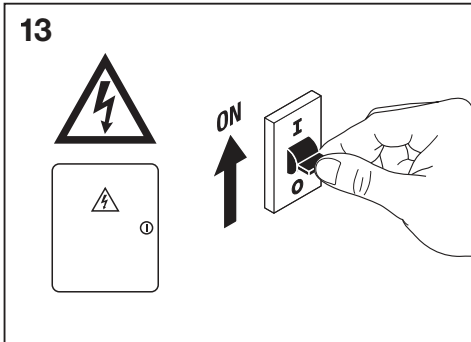
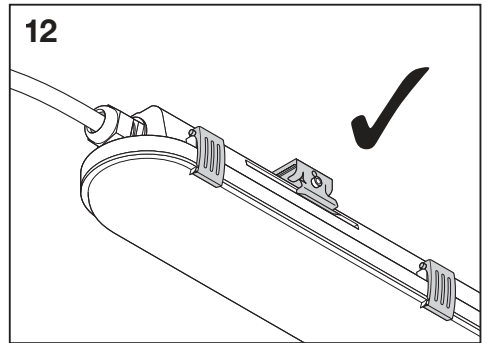
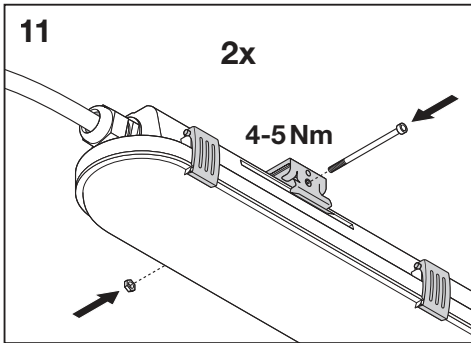
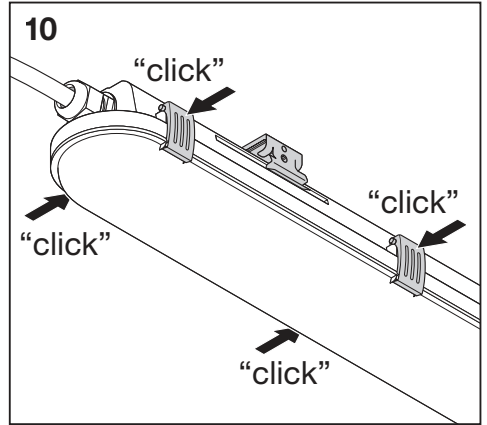
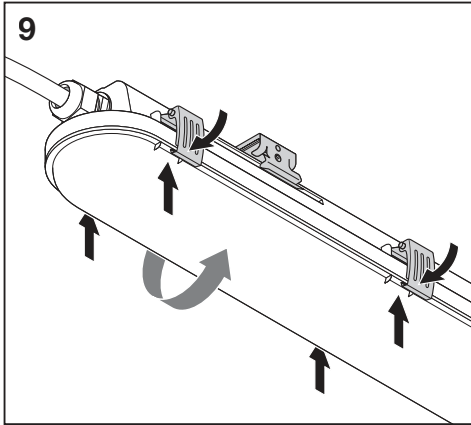


| | EAN | l x w x h [mm] | W | V _{AC} | Hz | lm | lm/W |
|------------------------------|---------------|----------------|----|-----------------|------------|-------|------|
| DP DALI 1200 18W 840 IP65 GY | 4058075541641 | 1200x82x68 | 18 | 220-240 V | 0/50/60 Hz | 2400 | 135 |
| DP DALI 1200 18W 865 IP65 GY | 4058075541665 | 1200x82x68 | 18 | 220-240 V | 0/50/60 Hz | 2400 | 135 |
| DP DALI 1200 32W 830 IP65 GY | 4058075541689 | 1200x82x68 | 32 | 220-240 V | 0/50/60 Hz | 4000 | 125 |
| DP DALI 1200 32W 840 IP65 GY | 4058075541702 | 1200x82x68 | 32 | 220-240 V | 0/50/60 Hz | 4400 | 135 |
| DP DALI 1200 32W 865 IP65 GY | 4058075541726 | 1200x82x68 | 32 | 220-240 V | 0/50/60 Hz | 4400 | 135 |
| DP DALI 1500 26W 840 IP65 GY | 4058075541740 | 1500x82x68 | 26 | 220-240 V | 0/50/60 Hz | 3500 | 135 |
| DP DALI 1500 26W 865 IP65 GY | 4058075541764 | 1500x82x68 | 26 | 220-240 V | 0/50/60 Hz | 3500 | 135 |
| DP DALI 1500 46W 830 IP65 GY | 4058075541788 | 1500x82x68 | 46 | 220-240 V | 0/50/60 Hz | 5750 | 125 |
| DP DALI 1500 46W 840 IP65 GY | 4058075541801 | 1500x82x68 | 46 | 220-240 V | 0/50/60 Hz | 6400 | 135 |
| DP DALI 1500 46W 865 IP65 GY | 4058075541825 | 1500x82x68 | 46 | 220-240 V | 0/50/60 Hz | 6400 | 135 |
| DP DALI 1500 58W 840 IP65 GY | 4058075541849 | 1500x82x68 | 58 | 220-240 V | 0/50/60 Hz | 8000 | 135 |
| DP DALI 1500 58W 865 IP65 GY | 4058075541863 | 1500x82x68 | 58 | 220-240 V | 0/50/60 Hz | 8000 | 135 |
| DP DALI 1500 81W 840 IP65 GY | 4058075541887 | 1500x82x68 | 81 | 220-240 V | 0/50/60 Hz | 11000 | 135 |
| DP DALI 1500 81W 865 IP65 GY | 4058075541900 | 1500x82x68 | 81 | 220-240 V | 0/50/60 Hz | 11000 | 135 |

| | EAN | K | IP | IK | ∠ | R _a | ° (°C) | PF | 👤 |
|------------------------------|---------------|------|----|----|------|----------------|-----------|-------|--------|
| DP DALI 1200 18W 840 IP65 GY | 4058075541641 | 4000 | 65 | 08 | 110° | > 80 | -25...+40 | > 0.9 | 1.4 kg |
| DP DALI 1200 18W 865 IP65 GY | 4058075541665 | 6500 | 65 | 08 | 110° | > 80 | -25...+40 | > 0.9 | 1.4 kg |
| DP DALI 1200 32W 830 IP65 GY | 4058075541689 | 3000 | 65 | 08 | 110° | > 80 | -25...+40 | > 0.9 | 1.4 kg |
| DP DALI 1200 32W 840 IP65 GY | 4058075541702 | 4000 | 65 | 08 | 110° | > 80 | -25...+40 | > 0.9 | 1.4 kg |
| DP DALI 1200 32W 865 IP65 GY | 4058075541726 | 6500 | 65 | 08 | 110° | > 80 | -25...+40 | > 0.9 | 1.4 kg |
| DP DALI 1500 26W 840 IP65 GY | 4058075541740 | 4000 | 65 | 08 | 110° | > 80 | -25...+40 | > 0.9 | 1.7 kg |
| DP DALI 1500 26W 865 IP65 GY | 4058075541764 | 6500 | 65 | 08 | 110° | > 80 | -25...+40 | > 0.9 | 1.7 kg |
| DP DALI 1500 46W 830 IP65 GY | 4058075541788 | 3000 | 65 | 08 | 110° | > 80 | -25...+40 | > 0.9 | 1.7 kg |
| DP DALI 1500 46W 840 IP65 GY | 4058075541801 | 4000 | 65 | 08 | 110° | > 80 | -25...+40 | > 0.9 | 1.7 kg |
| DP DALI 1500 46W 865 IP65 GY | 4058075541825 | 6500 | 65 | 08 | 110° | > 80 | -25...+40 | > 0.9 | 1.7 kg |
| DP DALI 1500 58W 840 IP65 GY | 4058075541849 | 4000 | 65 | 08 | 110° | > 80 | -25...+35 | > 0.9 | 1.7 kg |
| DP DALI 1500 58W 865 IP65 GY | 4058075541863 | 6500 | 65 | 08 | 110° | > 80 | -25...+35 | > 0.9 | 1.7 kg |
| DP DALI 1500 81W 840 IP65 GY | 4058075541887 | 4000 | 65 | 08 | 110° | > 80 | -25...+40 | > 0.9 | 1.8 kg |
| DP DALI 1500 81W 865 IP65 GY | 4058075541900 | 6500 | 65 | 08 | 110° | > 80 | -25...+40 | > 0.9 | 1.8 kg |







| n | B16 | C10 | C16 |
|------------------|-----|-----|-----|
| DP DALI 1200 18W | 13 | 21 | 36 |
| DP DALI 1200 32W | 13 | 21 | 36 |
| DP DALI 1500 26W | 13 | 21 | 36 |
| DP DALI 1500 46W | 13 | 21 | 36 |
| DP DALI 1500 58W | 13 | 21 | 35 |
| DP DALI 1500 81W | 6 | 10 | 16 |

CE EAC

PAP

LED

LED

LED

230V

LEDVANCE GmbH
Steinerne Furt 62
86167 Augsburg, Germany
www.ledvance.com

C10449057
G11125671
16.07.21