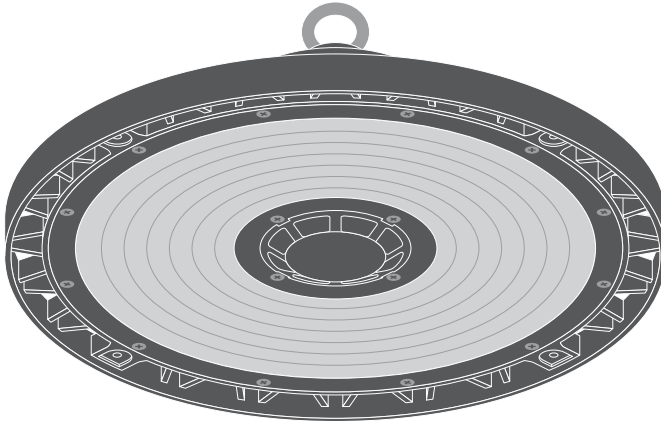


HIGHBAY DALI



	EAN	Ø x h [mm]	W	V _{AC}	Hz	lm	lm/W	K
HB DALI 93W/4000K 110DEG IP65	4058075543904	280 x 160	93	220-240V	50/60Hz	13000	140	4000
HB DALI 93W/4000K 70DEG IP65	4058075543911	280 x 160	93	220-240V	50/60Hz	13000	140	4000
HB DALI 155W/4000K 110DEG IP65	4058075543928	321 x 163	155	220-240V	50/60Hz	22000	140	4000
HB DALI 155W/4000K 70DEG IP65	4058075543935	321 x 163	155	220-240V	50/60Hz	22000	140	4000
HB DALI 190W/4000K 110DEG IP65	4058075543942	321 x 168	190	220-240V	50/60Hz	27000	140	4000
HB DALI 190W/4000K 70DEG IP65	4058075543959	321 x 168	190	220-240V	50/60Hz	27000	140	4000
HB DALI 210W/4000K 70DEG IP65	4058075543966	321 x 168	210	220-240V	50/60Hz	30000	140	4000

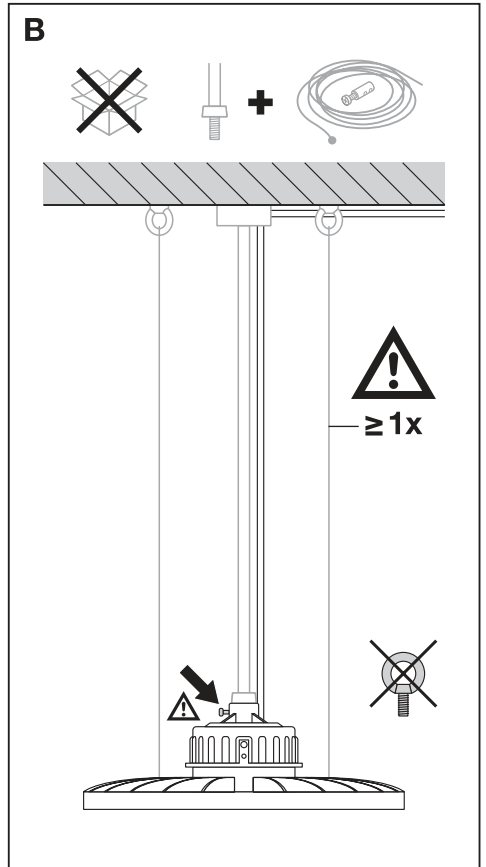
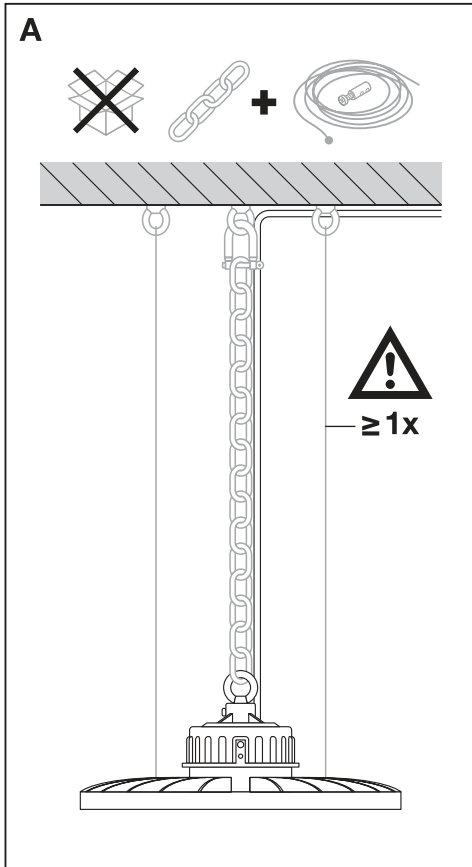
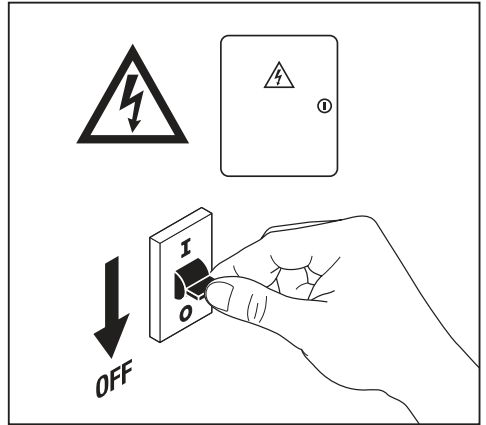
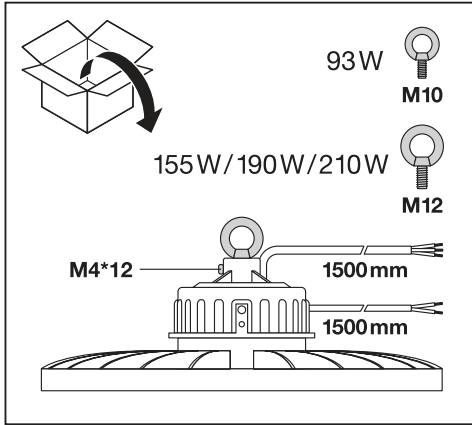
	EAN	IP	IK	∇	R _a	ℓ (°C)	PF	👤
HB DALI 93W/4000K 110DEG IP65	4058075543904	65	08	110°	≥80	-30 ... +50	≥0.95	2.8 kg
HB DALI 93W/4000K 70DEG IP65	4058075543911	65	08	70°	≥80	-30 ... +50	≥0.95	2.8 kg
HB DALI 155W/4000K 110DEG IP65	4058075543928	65	08	110°	≥80	-30 ... +50	≥0.95	3.6 kg
HB DALI 155W/4000K 70DEG IP65	4058075543935	65	08	70°	≥80	-30 ... +50	≥0.95	3.6 kg
HB DALI 190W/4000K 110DEG IP65	4058075543942	65	08	110°	≥80	-30 ... +50	≥0.95	3.8 kg
HB DALI 190W/4000K 70DEG IP65	4058075543959	65	08	70°	≥80	-30 ... +50	≥0.95	3.8 kg
HB DALI 210W/4000K 70DEG IP65	4058075543966	65	08	70°	≥80	-30 ... +50	≥0.95	3.8 kg

HIGHBAY DALI

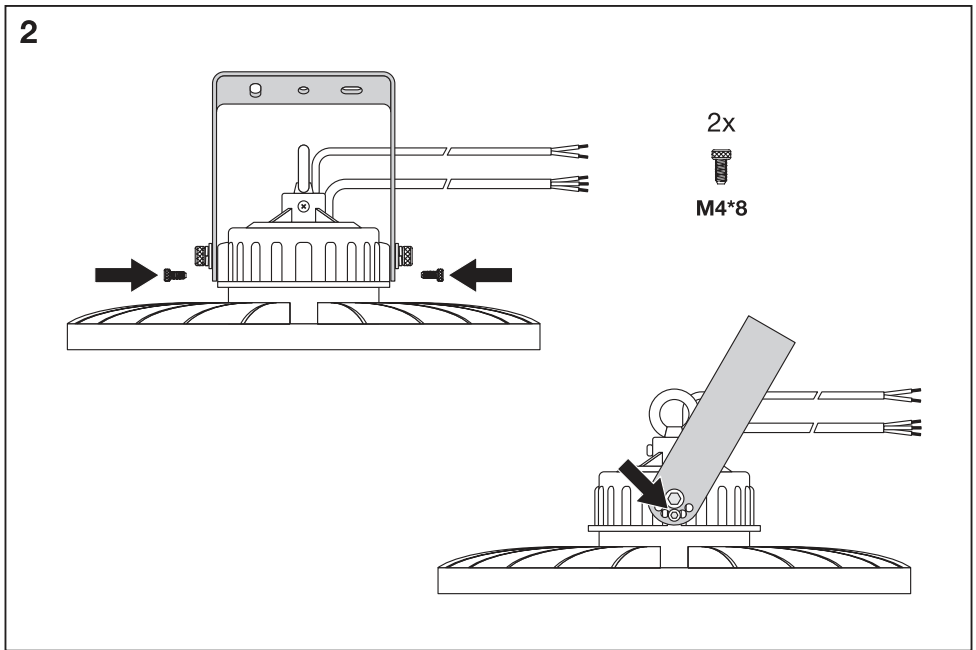
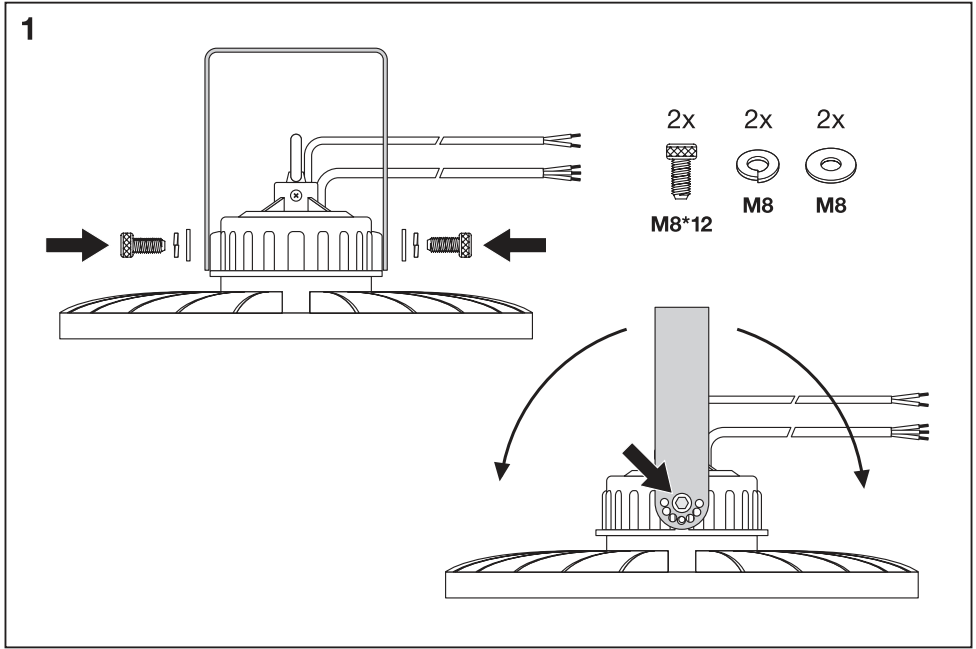
	l x w x h [mm]	
HB Bracket 93W	133 x 35 x 148	0.3 kg
HB Bracket 155W & 190W & 210W	151 x 35 x 148	0.3 kg

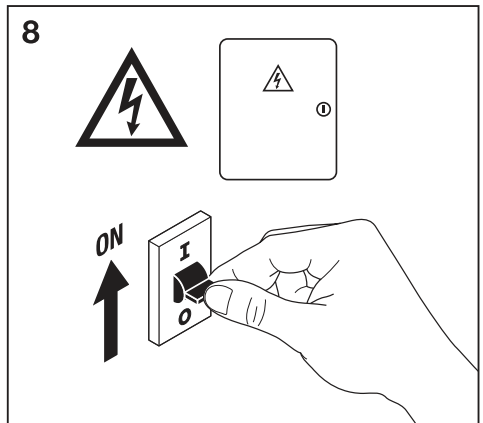
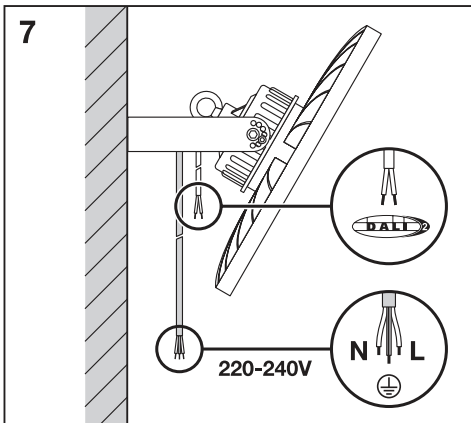
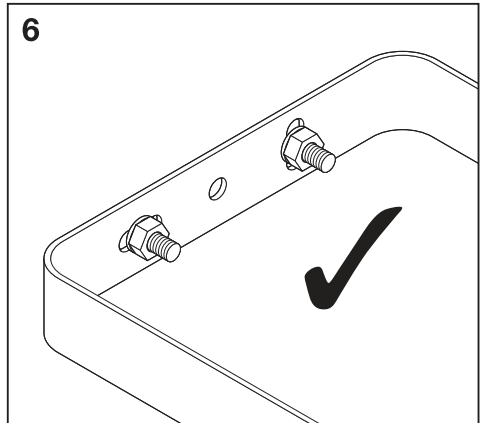
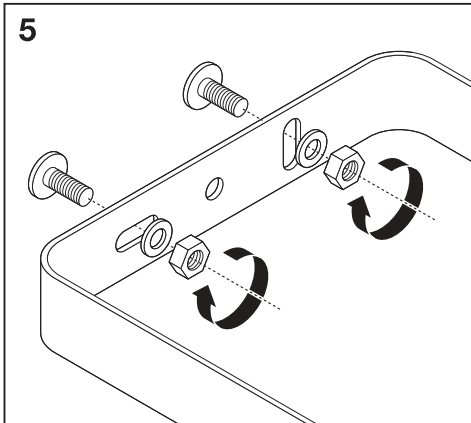
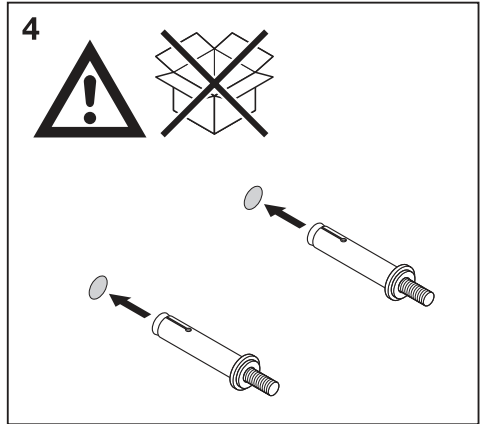
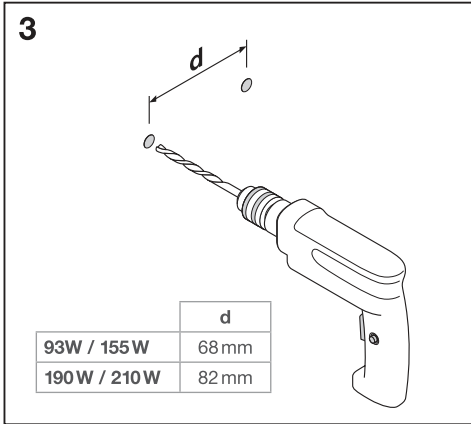
	EAN	Ø x h [mm]	
HB ALU REFLECTOR 93W	4058075507043	415 x 208	0.5 kg
HB ALU REFLECTOR 155-210W	4058075507050	499 x 250	0.6 kg

	EAN	Ø x h [mm]	
HB PC REFRACTOR 93W	4058075507029	309 x 76	0.2 kg
HB PC REFRACTOR 155-210W	4058075507036	414 x 138	0.4 kg

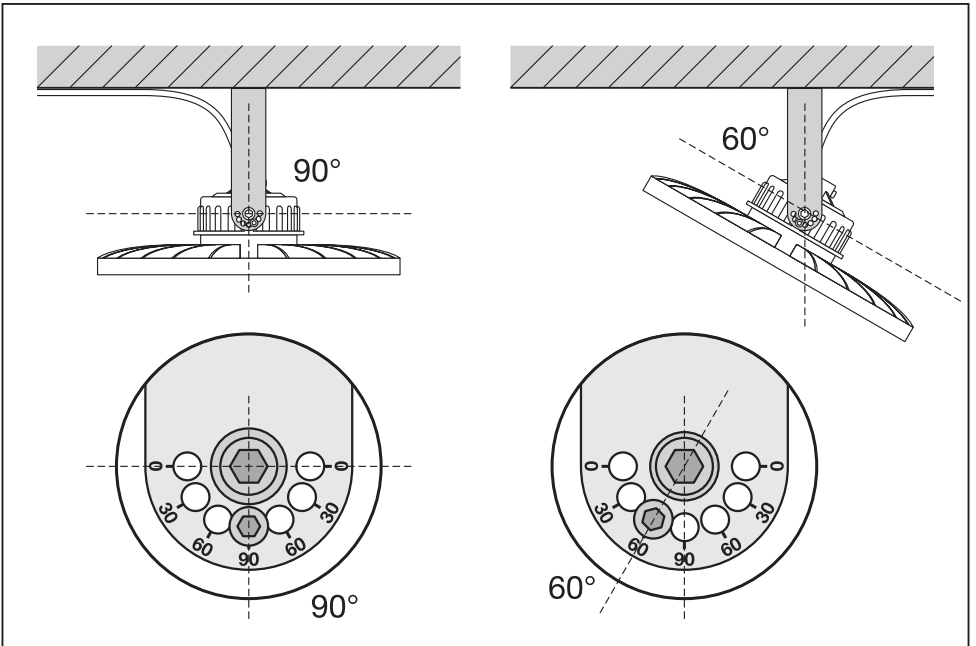
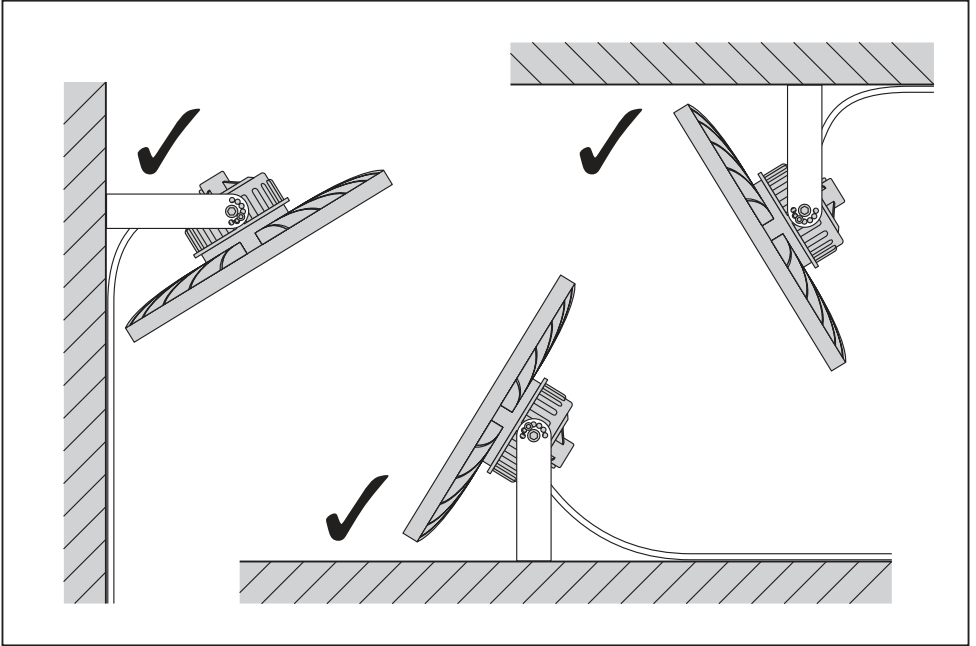


HIGHBAY DALI

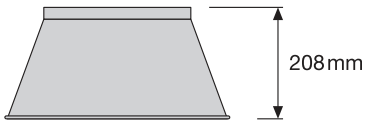
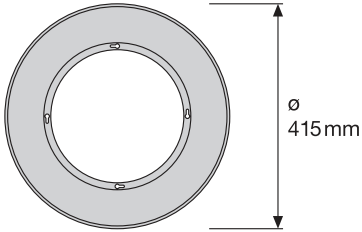
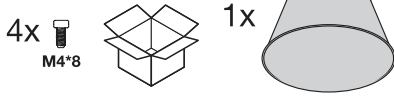




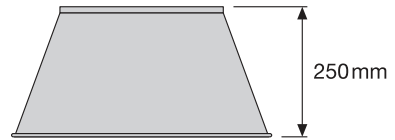
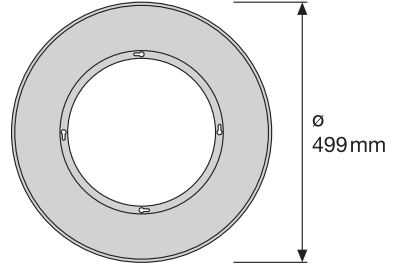
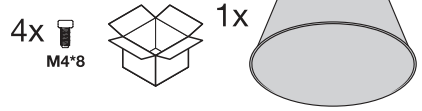
HIGHBAY DALI



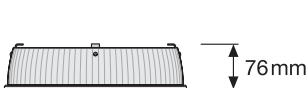
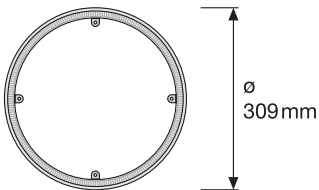
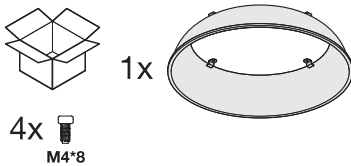
HB ALU REFLECTOR 93W
EAN 4058075507043



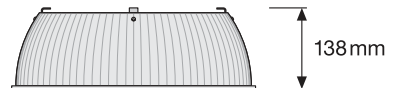
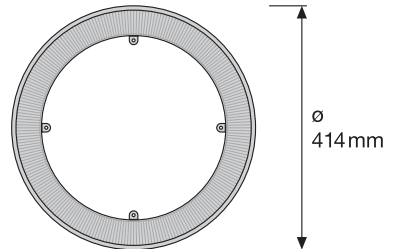
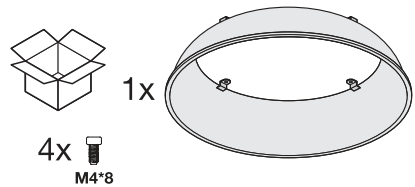
HB ALU REFLECTOR 155W-210W
EAN 4058075507050



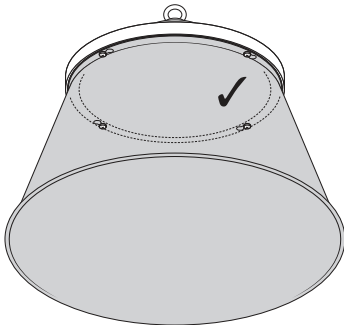
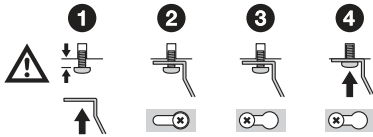
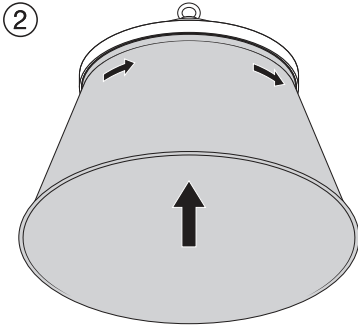
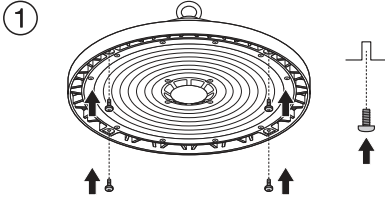
HB PC REFRACTOR 93W
EAN 4058075507029



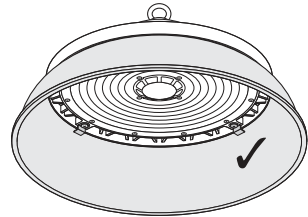
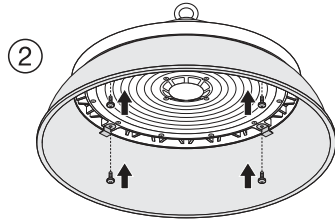
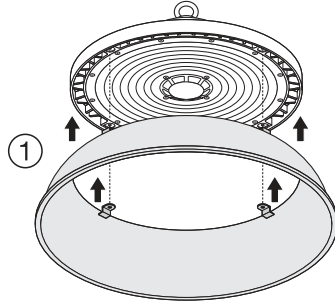
HB PC REFRACTOR 155W-210W
EAN 4058075507036



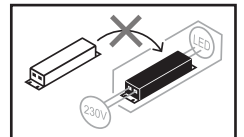
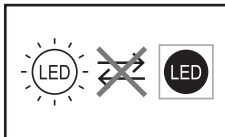
HB ALU REFLECTOR 93W-210W



HB PC REFRACTOR 93W-210W



n	n		
	B16	C10	C16
HB DALI 93W/4000K 110DEG IP65	5	5	8
HB DALI 93W/4000K 70DEG IP65	5	5	8
HB DALI 155W/4000K 110DEG IP65	3	3	5
HB DALI 155W/4000K 70DEG IP65	3	3	5
HB DALI 190W/4000K 110DEG IP65	3	3	4
HB DALI 190W/4000K 70DEG IP65	3	3	4
HB DALI 210W/4000K 70DEG IP65	3	3	4



C10449058
G11110042V2
21.04.21



LEDVANCE GmbH
Steinerne Furt 62
86167 Augsburg, Germany
www.ledvance.com