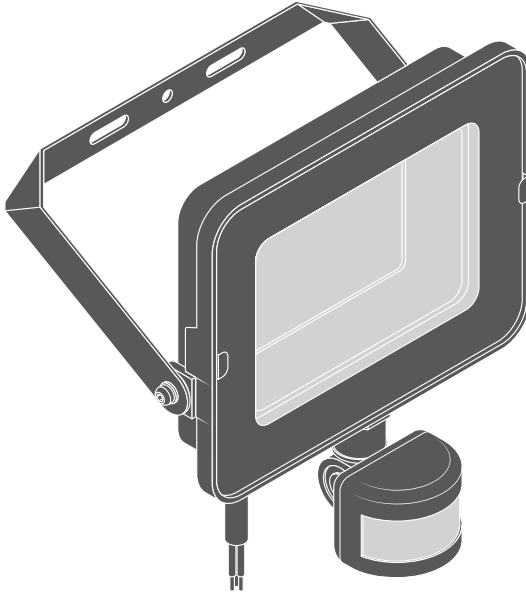
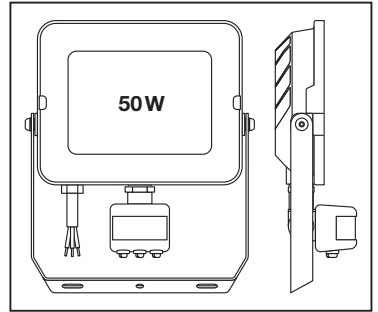
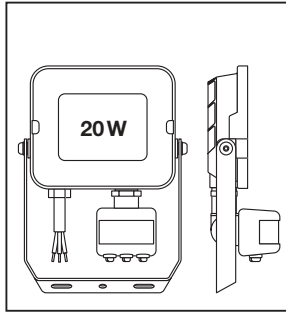
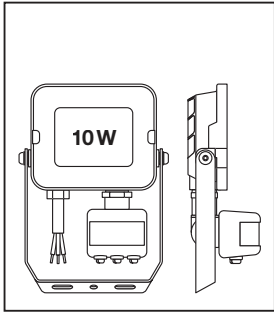


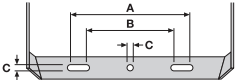


## FLOODLIGHT COMPACT SENSOR

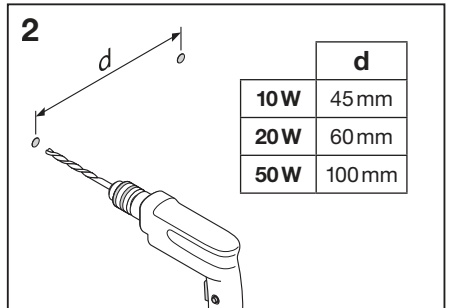
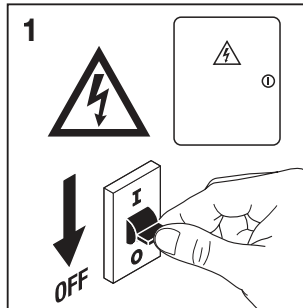
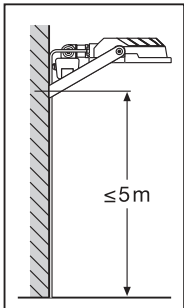
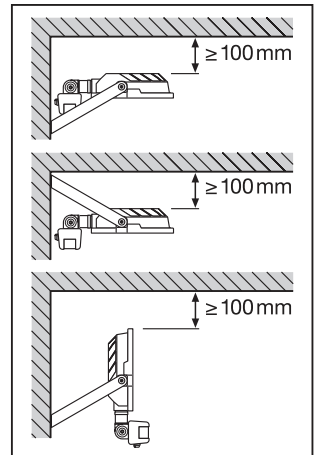
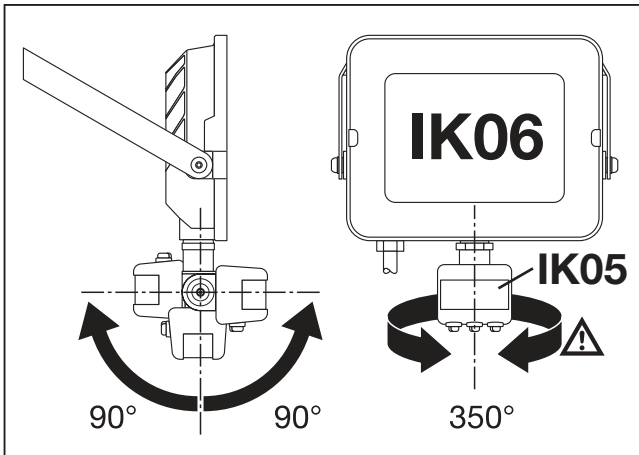


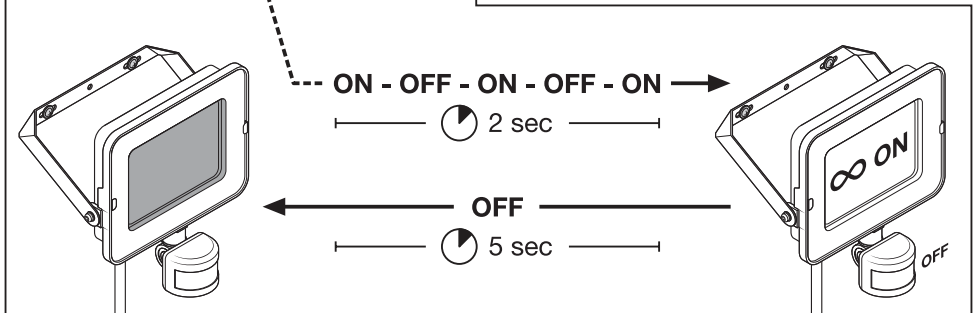
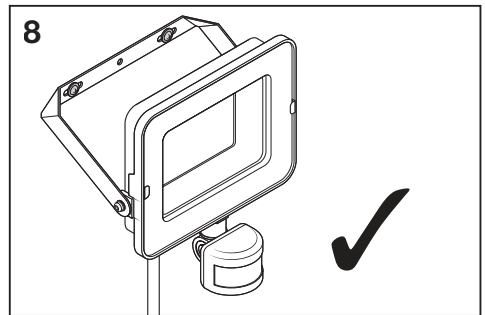
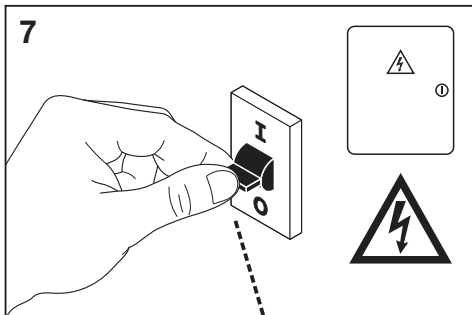
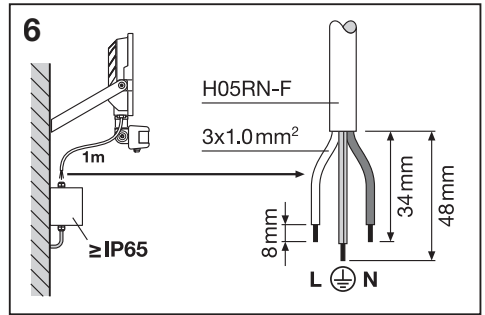
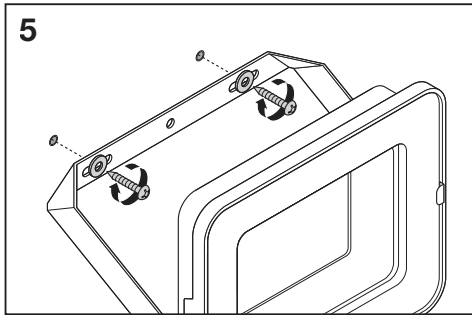
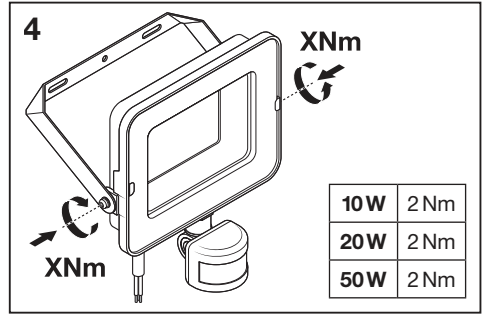
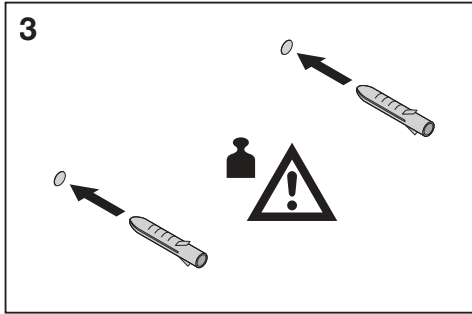
|                                  | EAN           | l x w x h [mm] | W  | V <sub>AC</sub> | Hz    | lm   | lm/W | K    |
|----------------------------------|---------------|----------------|----|-----------------|-------|------|------|------|
| FL COMP SEN V 10W 830 SYM 100 BK | 4058075575226 | 153x109x53     | 10 | 220-240         | 50/60 | 900  | 90   | 3000 |
| FL COMP SEN V 10W 840 SYM 100 BK | 4058075575240 | 153x109x53     | 10 | 220-240         | 50/60 | 1000 | 100  | 4000 |
| FL COMP SEN V 20W 830 SYM 100 BK | 4058075575264 | 165x122x53     | 20 | 220-240         | 50/60 | 1800 | 90   | 3000 |
| FL COMP SEN V 20W 840 SYM 100 BK | 4058075575288 | 165x122x53     | 20 | 220-240         | 50/60 | 2000 | 100  | 4000 |
| FL COMP SEN V 50W 830 SYM 100 BK | 4058075575301 | 202x170x60     | 50 | 220-240         | 50/60 | 4500 | 90   | 3000 |
| FL COMP SEN V 50W 840 SYM 100 BK | 4058075575325 | 202x170x60     | 50 | 220-240         | 50/60 | 5000 | 100  | 4000 |

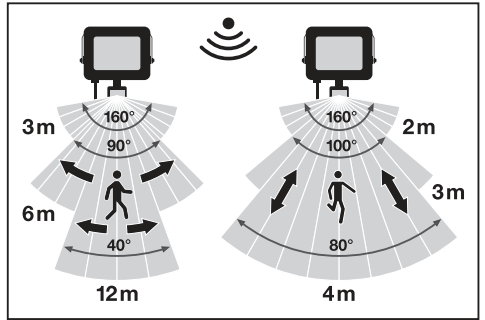
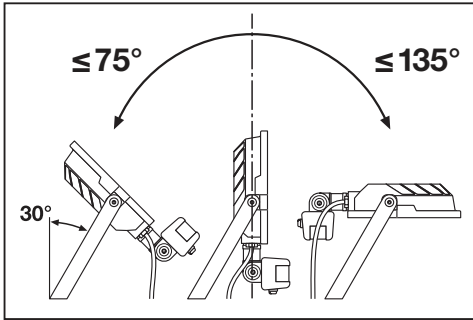
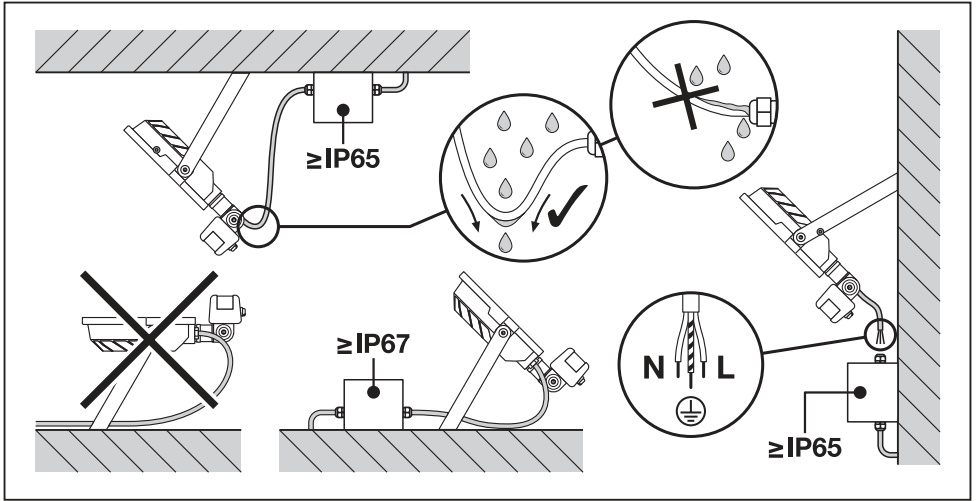
|                                  | EAN           | IP | IK    | ∠    | R <sub>a</sub> | °(°C)     | PF    | ⚙️    |
|----------------------------------|---------------|----|-------|------|----------------|-----------|-------|-------|
| FL COMP SEN V 10W 830 SYM 100 BK | 4058075575226 | 65 | 06/05 | 100° | ≥ 80           | -30...+45 | > 0.8 | 0.3kg |
| FL COMP SEN V 10W 840 SYM 100 BK | 4058075575240 | 65 | 06/05 | 100° | ≥ 80           | -30...+45 | > 0.8 | 0.3kg |
| FL COMP SEN V 20W 830 SYM 100 BK | 4058075575264 | 65 | 06/05 | 100° | ≥ 80           | -30...+45 | > 0.8 | 0.4kg |
| FL COMP SEN V 20W 840 SYM 100 BK | 4058075575288 | 65 | 06/05 | 100° | ≥ 80           | -30...+45 | > 0.8 | 0.4kg |
| FL COMP SEN V 50W 830 SYM 100 BK | 4058075575301 | 65 | 06/05 | 100° | ≥ 80           | -30...+45 | > 0.9 | 0.6kg |
| FL COMP SEN V 50W 840 SYM 100 BK | 4058075575325 | 65 | 06/05 | 100° | ≥ 80           | -30...+45 | > 0.9 | 0.6kg |












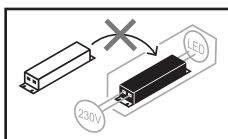
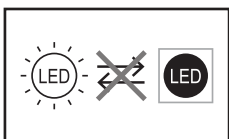
|     |  | A   | B  | C   |  | <br>m <sup>2</sup> | 230 Vac |      |      |
|-----|---|-----|----|-----|---|---|---------|------|------|
|     |   | mm  | mm | mm  |   |   | C10A    | B16A | C16A |
| 10W |   | 55  | 35 | 5.5 | 2xM5  | 0.007 m <sup>2</sup>  | 116     | 159  | 185  |
| 20W |   | 70  | 50 | 5.5 | 2xM5  | 0.009 m <sup>2</sup>  | 64      | 88   | 103  |
| 50W |   | 110 | 90 | 5.5 | 2xM5  | 0.018 m <sup>2</sup>  | 26      | 36   | 42   |







|   | SENS <br>2.5m  | LUX <br> | TIME <br> |
|---|---|---|---|
|  | ~2m   | < 10lx  | ~10 sec ±3sec   |
|  | ~6m   | < 100lx   | ~5 min ±2 min   |
|  | ~12m  | < 2000lx  | ~12 min ±3min   |



C10449057  
G11111396  
22.03.21



LEDVANCE GmbH  
Steinerne Furt 62  
86167 Augsburg, Germany  
[www.ledvance.com](http://www.ledvance.com)