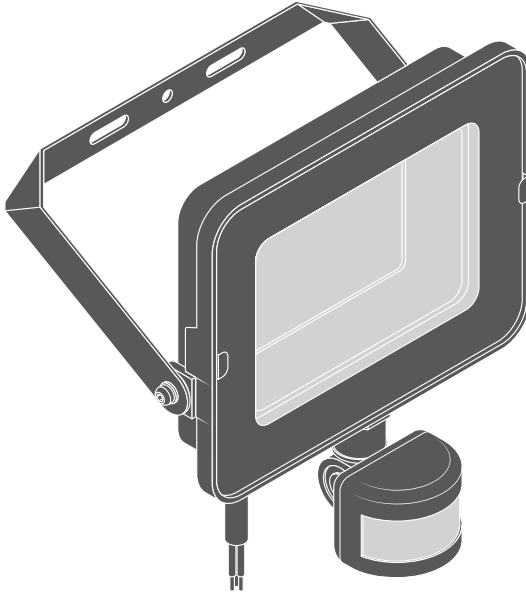
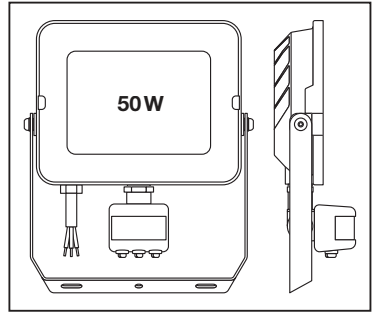
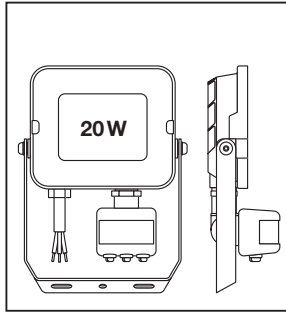
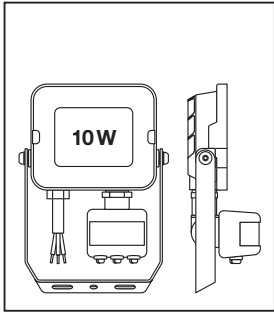
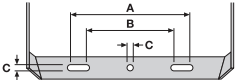



FLOODLIGHT COMPACT SENSOR

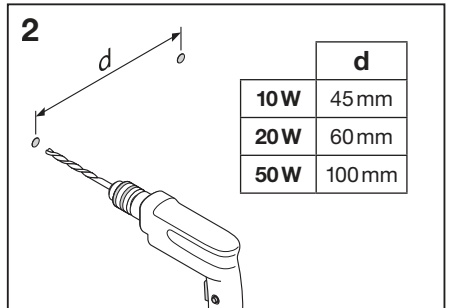
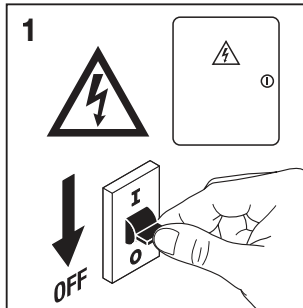
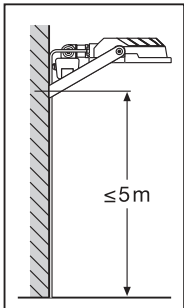
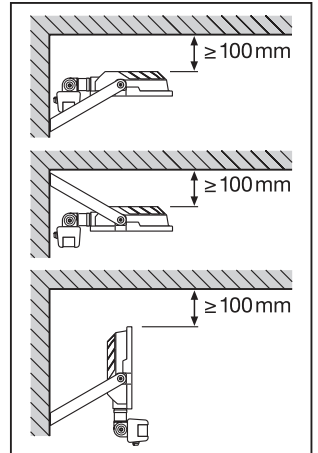
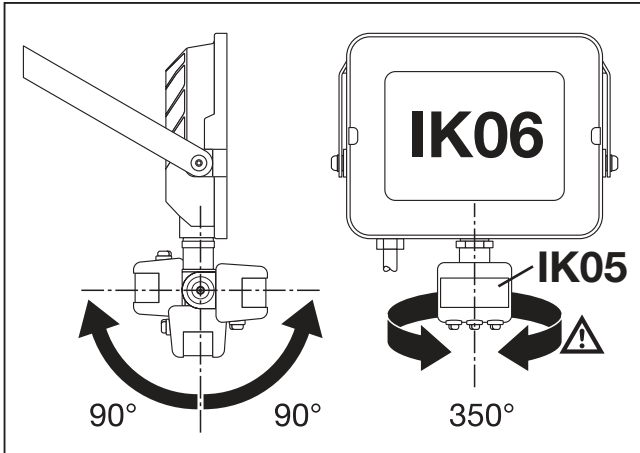


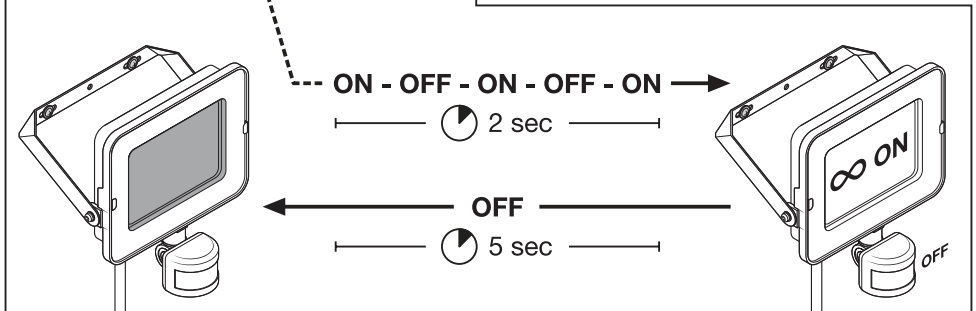
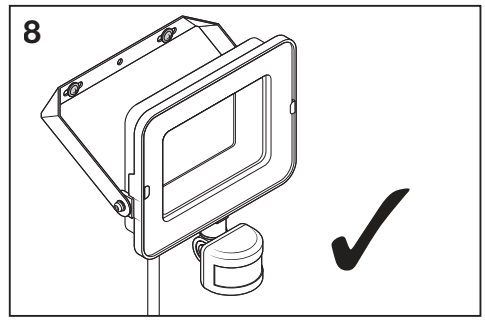
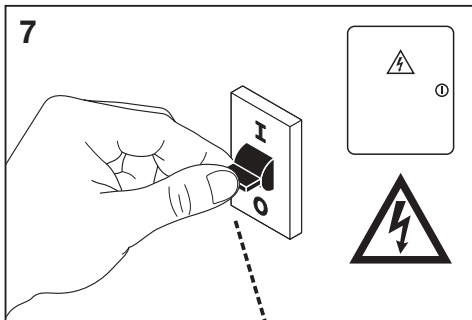
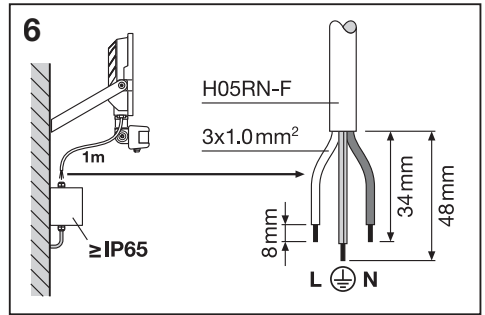
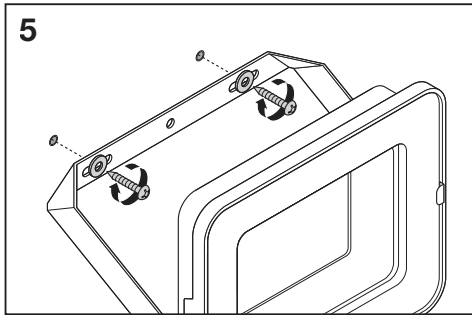
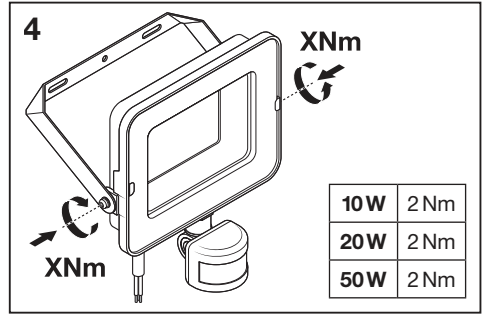
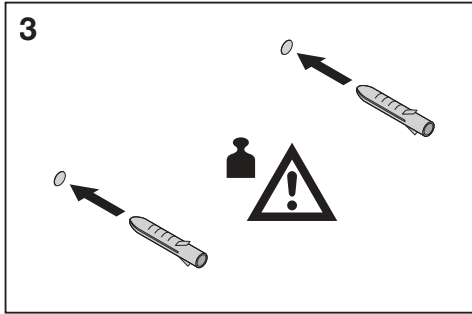
| | EAN | l x w x h [mm] | W | V _{AC} | Hz | lm | lm/W | K |
|----------------------------------|---------------|----------------|----|-----------------|-------|------|------|------|
| FL COMP SEN V 10W 830 SYM 100 BK | 4058075575226 | 153x109x53 | 10 | 220-240 | 50/60 | 900 | 90 | 3000 |
| FL COMP SEN V 10W 840 SYM 100 BK | 4058075575240 | 153x109x53 | 10 | 220-240 | 50/60 | 1000 | 100 | 4000 |
| FL COMP SEN V 20W 830 SYM 100 BK | 4058075575264 | 165x122x53 | 20 | 220-240 | 50/60 | 1800 | 90 | 3000 |
| FL COMP SEN V 20W 840 SYM 100 BK | 4058075575288 | 165x122x53 | 20 | 220-240 | 50/60 | 2000 | 100 | 4000 |
| FL COMP SEN V 50W 830 SYM 100 BK | 4058075575301 | 202x170x60 | 50 | 220-240 | 50/60 | 4500 | 90 | 3000 |
| FL COMP SEN V 50W 840 SYM 100 BK | 4058075575325 | 202x170x60 | 50 | 220-240 | 50/60 | 5000 | 100 | 4000 |

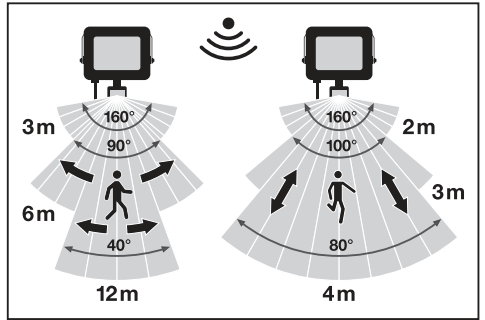
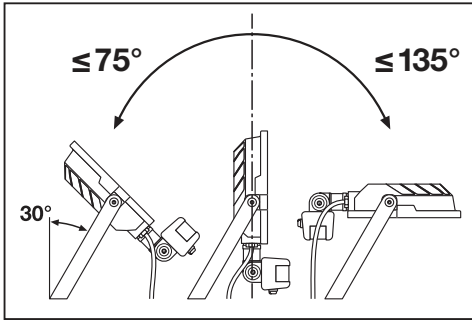
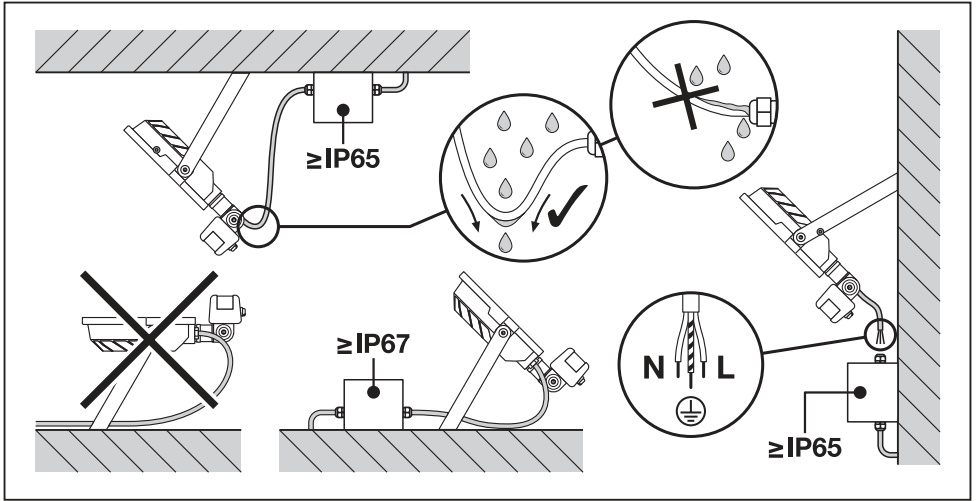
| | EAN | IP | IK | ∠ | R _a | °(°C) | PF | ⚙️ |
|----------------------------------|---------------|----|-------|------|----------------|-----------|-------|-------|
| FL COMP SEN V 10W 830 SYM 100 BK | 4058075575226 | 65 | 06/05 | 100° | ≥ 80 | -30...+45 | > 0.8 | 0.3kg |
| FL COMP SEN V 10W 840 SYM 100 BK | 4058075575240 | 65 | 06/05 | 100° | ≥ 80 | -30...+45 | > 0.8 | 0.3kg |
| FL COMP SEN V 20W 830 SYM 100 BK | 4058075575264 | 65 | 06/05 | 100° | ≥ 80 | -30...+45 | > 0.8 | 0.4kg |
| FL COMP SEN V 20W 840 SYM 100 BK | 4058075575288 | 65 | 06/05 | 100° | ≥ 80 | -30...+45 | > 0.8 | 0.4kg |
| FL COMP SEN V 50W 830 SYM 100 BK | 4058075575301 | 65 | 06/05 | 100° | ≥ 80 | -30...+45 | > 0.9 | 0.6kg |
| FL COMP SEN V 50W 840 SYM 100 BK | 4058075575325 | 65 | 06/05 | 100° | ≥ 80 | -30...+45 | > 0.9 | 0.6kg |












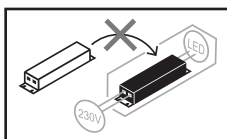
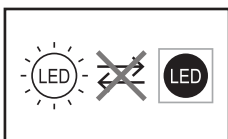
| |  | A | B | C |  |  m ² | 230 Vac | | |
|-----|---|-----|----|-----|---|---|---------|------|------|
| | | mm | mm | mm | | | C10A | B16A | C16A |
| 10W | | 55 | 35 | 5.5 | 2xM5 | 0.007 m ² | 116 | 159 | 185 |
| 20W | | 70 | 50 | 5.5 | 2xM5 | 0.009 m ² | 64 | 88 | 103 |
| 50W | | 110 | 90 | 5.5 | 2xM5 | 0.018 m ² | 26 | 36 | 42 |







| | SENS  2.5m  | LUX   | TIME   |
|---|---|---|---|
|  | ~2m | < 10lx | ~10 sec ±3sec |
|  | ~6m | < 100lx | ~5 min ±2 min |
|  | ~12m | < 2000lx | ~12 min ±3min |



C10449057
G11111396
22.03.21



LEDVANCE GmbH
Steinerne Furt 62
86167 Augsburg, Germany
www.ledvance.com