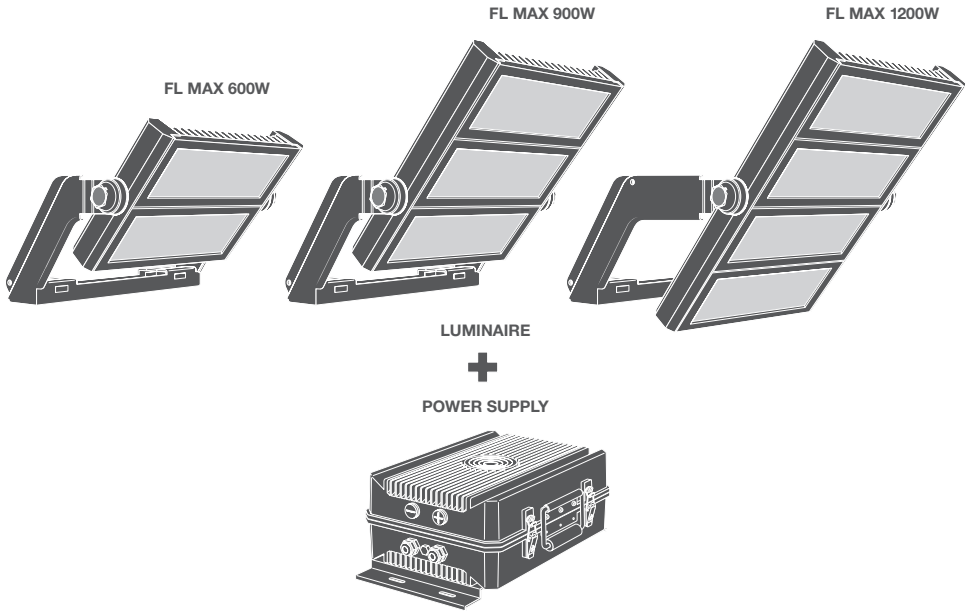


FLOODLIGHT MAX



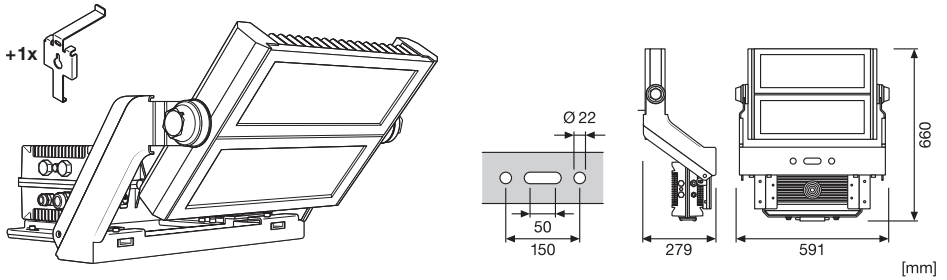
COMPLETE PRODUCT	LUMINAIRE	EAN	POWER SUPPLY	EAN
FL MAX P 600W 757 SYM 10 WAL	FL MAX LUM P 600W 757 SYM 10 WAL	4058075580589	FL MAX POWER SUPPLY P 600W WAL	4058075580718
FL MAX P 600W 757 SYM 30 WAL	FL MAX LUM P 600W 757 SYM 30 WAL	4058075580596		
FL MAX P 600W 757 SYM 60 WAL	FL MAX LUM P 600W 757 SYM 60 WAL	4058075580602		
FL MAX P 600W 757 ASYM 50x110 WAL	FL MAX LUM P 600W 757 ASYM 50x110 WAL	4058075580619		
FL MAX P 900W 757 SYM 10 WAL	FL MAX LUM P 900W 757 SYM 10 WAL	4058075580626	FL MAX POWER SUPPLY P 900W WAL	4058075580732
FL MAX P 900W 757 SYM 30 WAL	FL MAX LUM P 900W 757 SYM 30 WAL	4058075580633		
FL MAX P 900W 757 SYM 60 WAL	FL MAX LUM P 900W 757 SYM 60 WAL	4058075580640		
FL MAX P 900W 757 ASYM 50x110 WAL	FL MAX LUM P 900W 757 ASYM 50x110 WAL	4058075580657		
FL MAX P 1200W 757 SYM 10 WAL	FL MAX LUM P 1200W 757 SYM 10 WAL	4058075580664	FL MAX POWER SUPPLY P 1200W WAL	4058075580749
FL MAX P 1200W 757 SYM 30 WAL	FL MAX LUM P 1200W 757 SYM 30 WAL	4058075580671		
FL MAX P 1200W 757 SYM 60 WAL	FL MAX LUM P 1200W 757 SYM 60 WAL	4058075580688		
FL MAX P 1200W 757 ASYM 50x110 WAL	FL MAX LUM P 1200W 757 ASYM 50x110 WAL	4058075580695		

	l x w x h [mm]	W	V _{AC}	Hz	lm	lm/W	K
FL MAX P 600W 757 SYM 10 WAL	660x591x279	600	220-240	50/60	78000	130	5700
FL MAX P 600W 757 SYM 30 WAL	660x591x279	600	220-240	50/60	81000	135	5700
FL MAX P 600W 757 SYM 60 WAL	660x591x279	600	220-240	50/60	80500	134	5700
FL MAX P 600W 757 ASYM 50x110 WAL	660x591x279	600	220-240	50/60	82000	137	5700
FL MAX P 900W 757 SYM 10 WAL	930x591x279	900	220-240	50/60	117000	130	5700
FL MAX P 900W 757 SYM 30 WAL	930x591x279	900	220-240	50/60	121000	134	5700
FL MAX P 900W 757 SYM 60 WAL	930x591x279	900	220-240	50/60	120000	133	5700
FL MAX P 900W 757 ASYM 50x110 WAL	930x591x279	900	220-240	50/60	123000	137	5700
FL MAX P 1200W 757 SYM 10 WAL	1111x591x282	1200	220-240	50/60	155000	129	5700
FL MAX P 1200W 757 SYM 30 WAL	1111x591x282	1200	220-240	50/60	162000	135	5700
FL MAX P 1200W 757 SYM 60 WAL	1111x591x282	1200	220-240	50/60	161000	134	5700
FL MAX P 1200W 757 ASYM 50x110 WAL	1111x591x282	1200	220-240	50/60	164000	137	5700

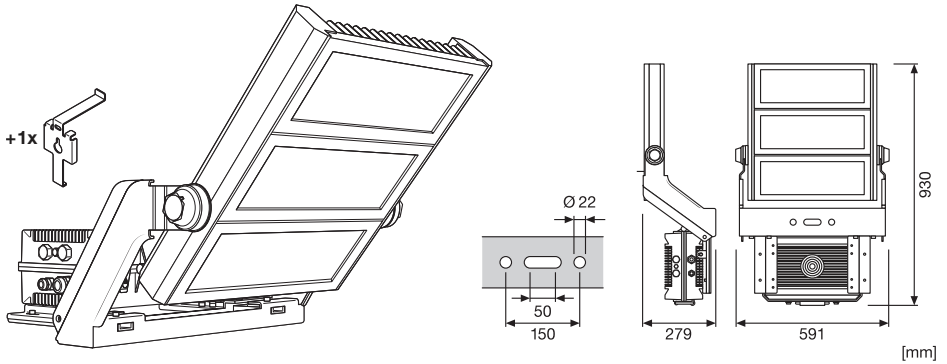
	IP	IK		R _a	°(°C)	PF	
FL MAX P 600W 757 SYM 10 WAL	66	08	10°	>70	-30...+50	0.95	21.2
FL MAX P 600W 757 SYM 30 WAL	66	08	30°	>70	-30...+50	0.95	21.2
FL MAX P 600W 757 SYM 60 WAL	66	08	60°	>70	-30...+50	0.95	21.2
FL MAX P 600W 757 ASYM 50x110 WAL	66	08	50° x 110°	>70	-30...+50	0.95	21.2
FL MAX P 900W 757 SYM 10 WAL	66	08	10°	>70	-30...+50	0.95	31.3
FL MAX P 900W 757 SYM 30 WAL	66	08	30°	>70	-30...+50	0.95	31.3
FL MAX P 900W 757 SYM 60 WAL	66	08	60°	>70	-30...+50	0.95	31.3
FL MAX P 900W 757 ASYM 50x110 WAL	66	08	50° x 110°	>70	-30...+50	0.95	31.3
FL MAX P 1200W 757 SYM 10 WAL	66	08	10°	>70	-30...+50	0.95	44.5
FL MAX P 1200W 757 SYM 30 WAL	66	08	30°	>70	-30...+50	0.95	44.5
FL MAX P 1200W 757 SYM 60 WAL	66	08	60°	>70	-30...+50	0.95	44.5
FL MAX P 1200W 757 ASYM 50x110 WAL	66	08	50° x 110°	>70	-30...+50	0.95	44.5

LDV FL MAX							230 Vac				
	S/α	α = 0°	α = 30°	α = 60°	α = 90°		B32	C16	C32	D16	D32
600 W	S1	0.12 m ²	0.17 m ²	0.22 m ²	0.23 m ²	<75 kg	2	2	4	4	8
	S2	0.32 m ²	0.30 m ²	0.23 m ²	0.18 m ²						
	S3	0.09 m ²	0.09 m ²	0.09 m ²	0.09 m ²						
900 W	S1	0.13 m ²	0.23 m ²	0.30 m ²	0.32 m ²	<100 kg	1	1	2	2	5
	S2	0.44 m ²	0.41 m ²	0.31 m ²	0.22 m ²						
	S3	0.12 m ²	0.12 m ²	0.12 m ²	0.12 m ²						
1200 W	S1	0.13 m ²	0.27 m ²	0.36 m ²	0.37 m ²	<135 kg	1	1	2	2	4
	S2	0.55 m ²	0.50 m ²	0.38 m ²	0.24 m ²						
	S3	0.14 m ²	0.14 m ²	0.14 m ²	0.14 m ²						

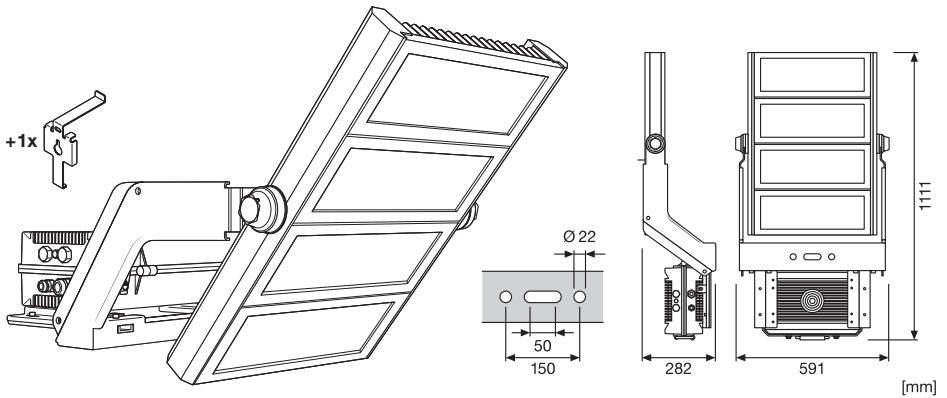
FLOODLIGHT MAX 600W



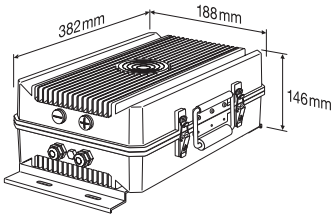
FLOODLIGHT MAX 900W



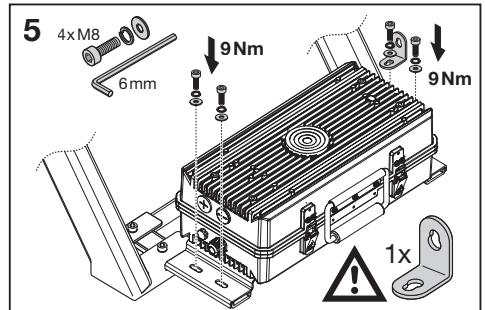
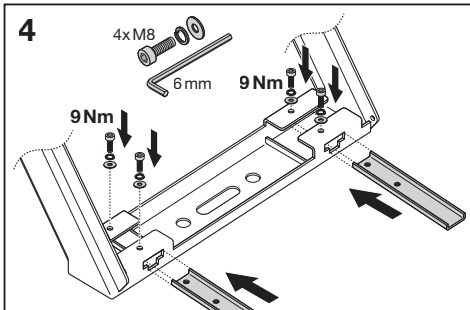
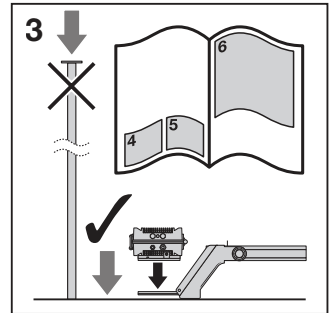
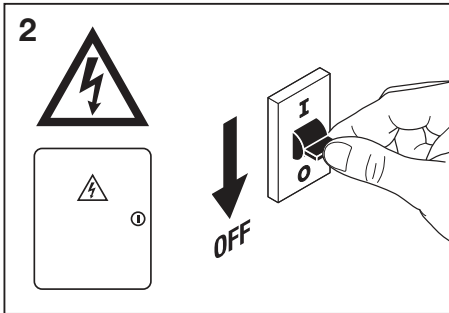
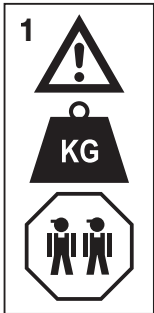
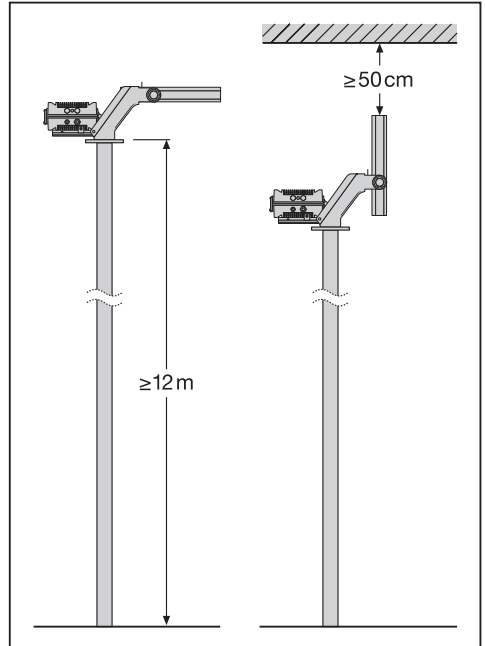
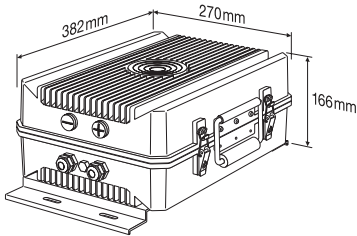
FLOODLIGHT MAX 1200W

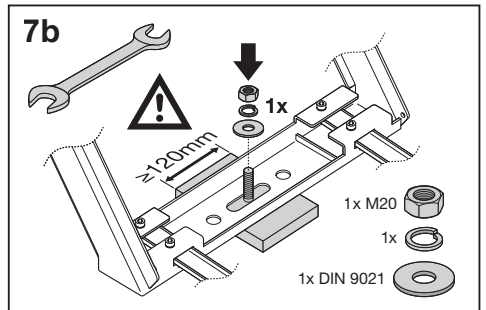
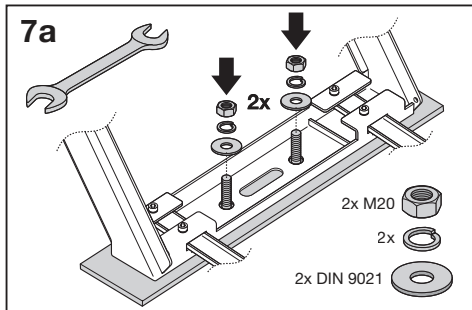
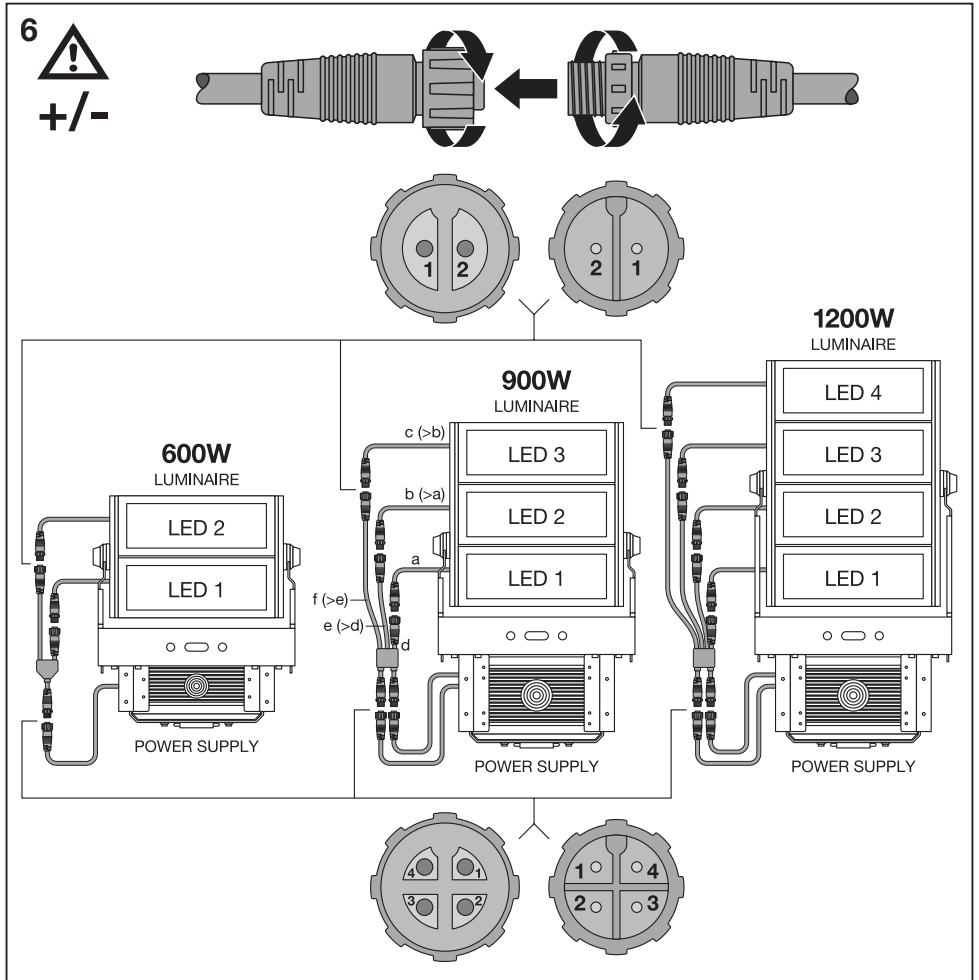


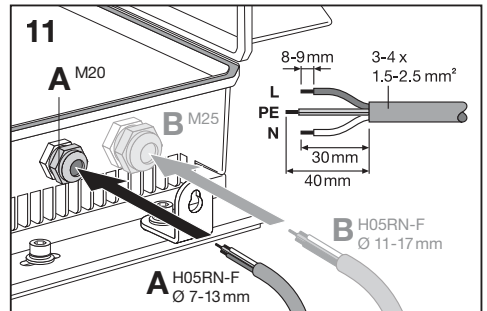
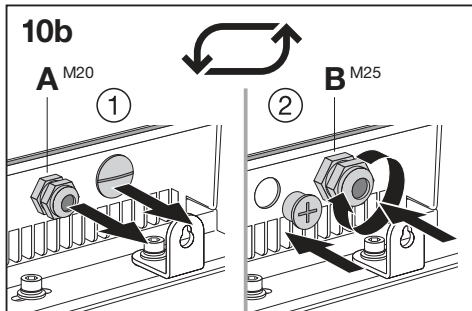
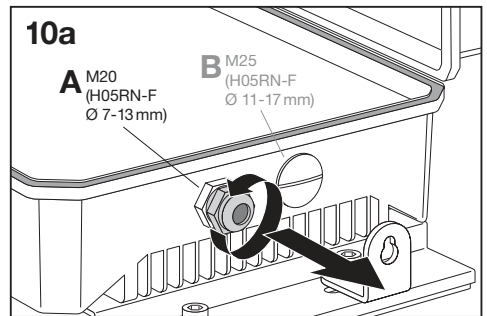
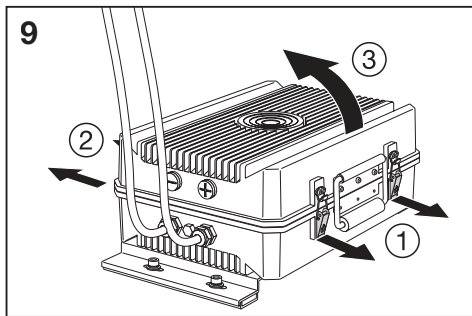
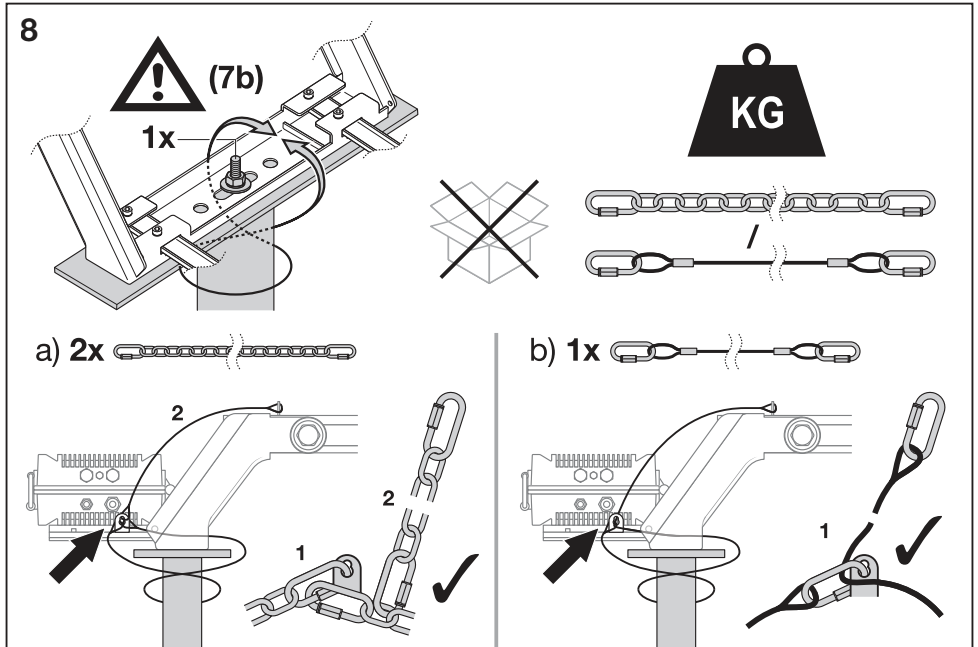
FLOODLIGHT MAX POWER SUPPLY P 600W

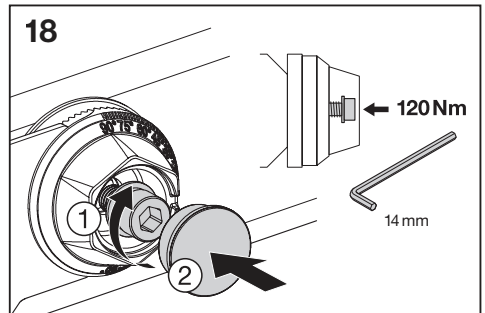
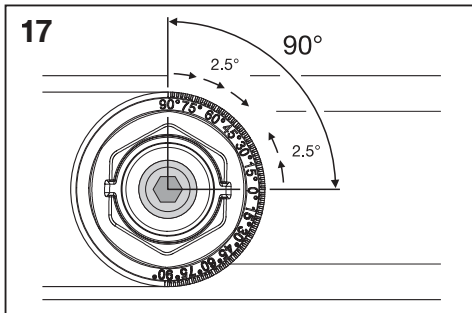
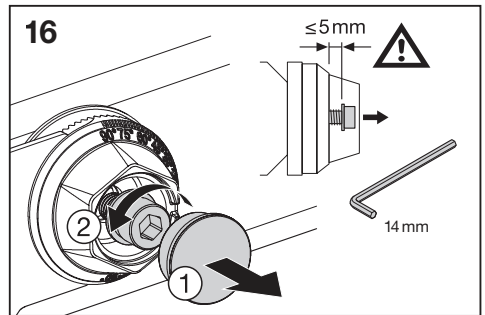
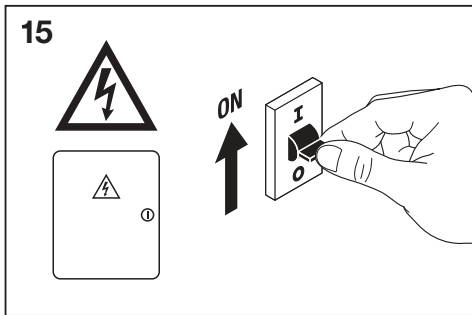
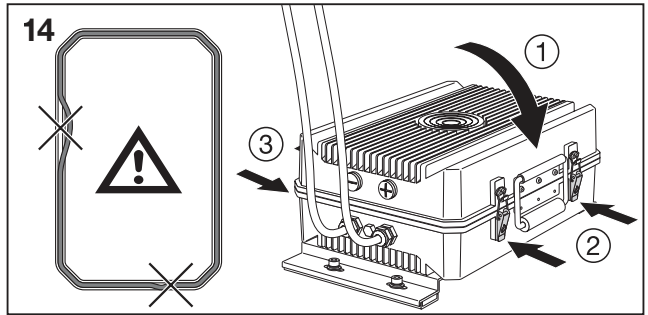
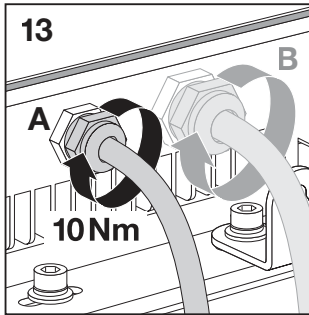
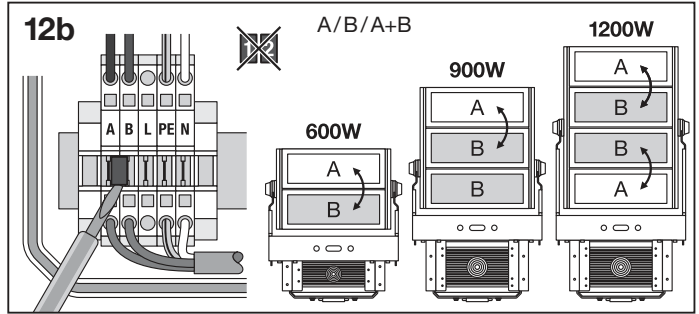
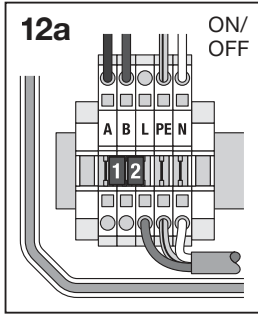


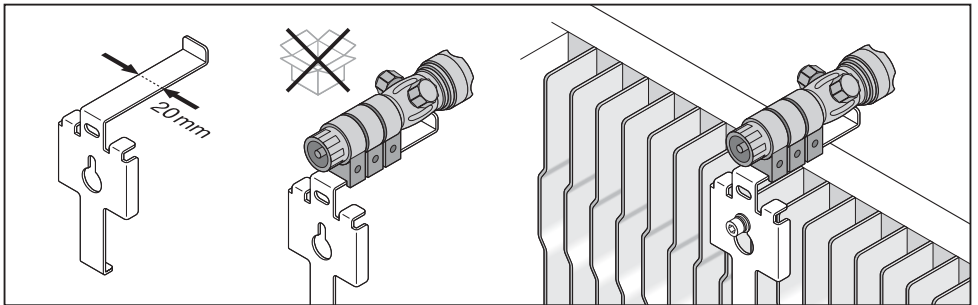
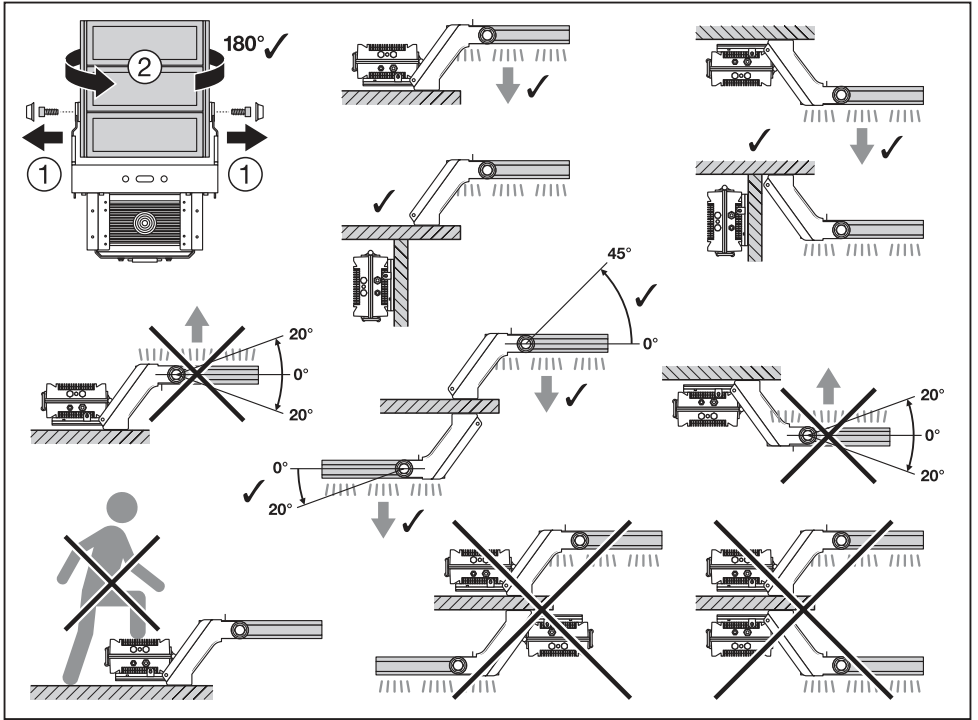
FLOODLIGHT MAX POWER SUPPLY P 900W / 1200W











CE EAC 061 22 PAP

C10449058
 G11125039
 05.07.21

LEDVANCE GmbH
 Steirner Furt 62
 86167 Augsburg, Germany
www.ledvance.com