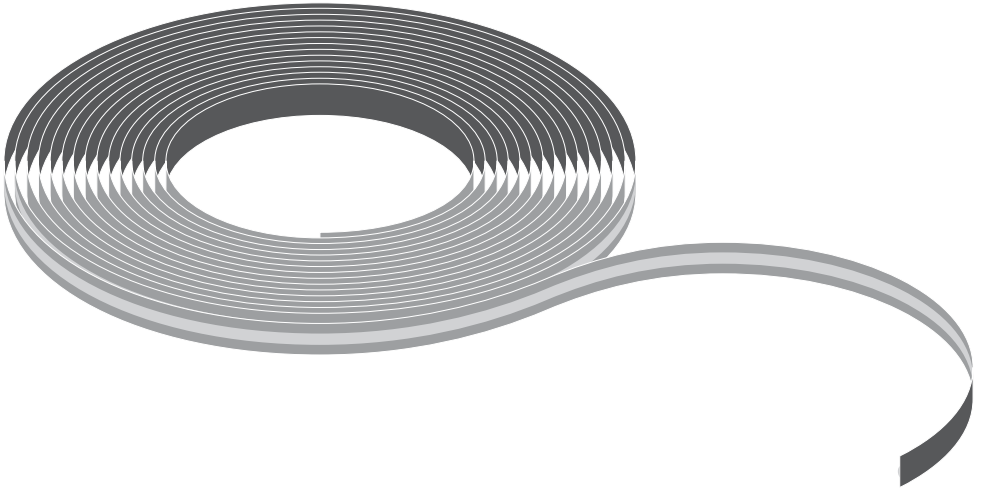
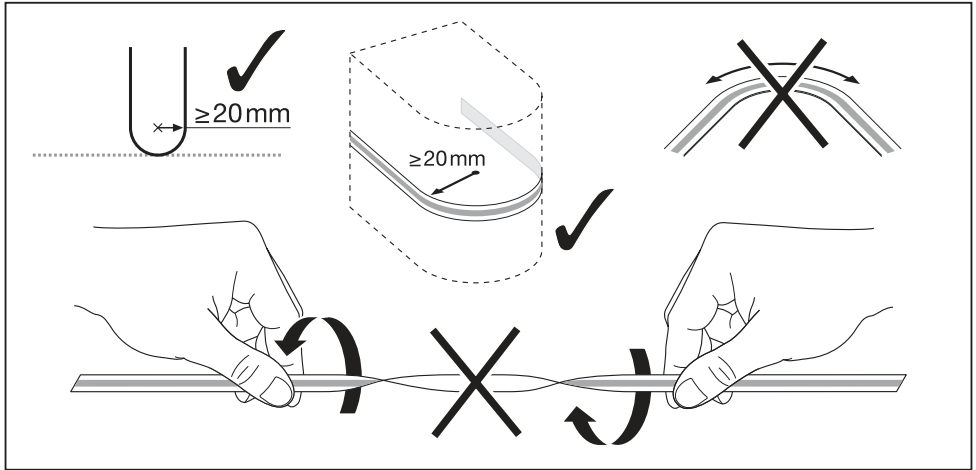
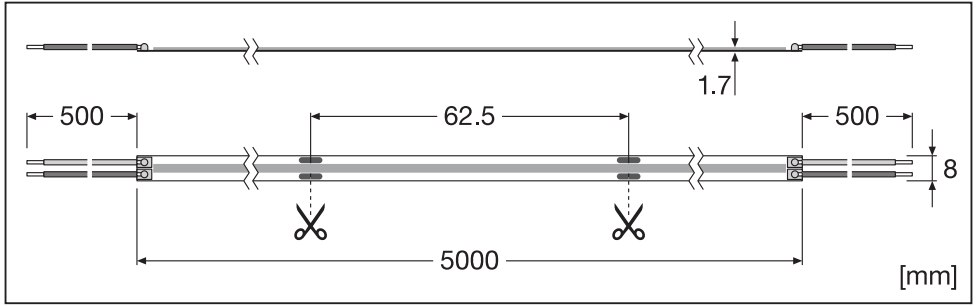


LED STRIP PERFORMANCE

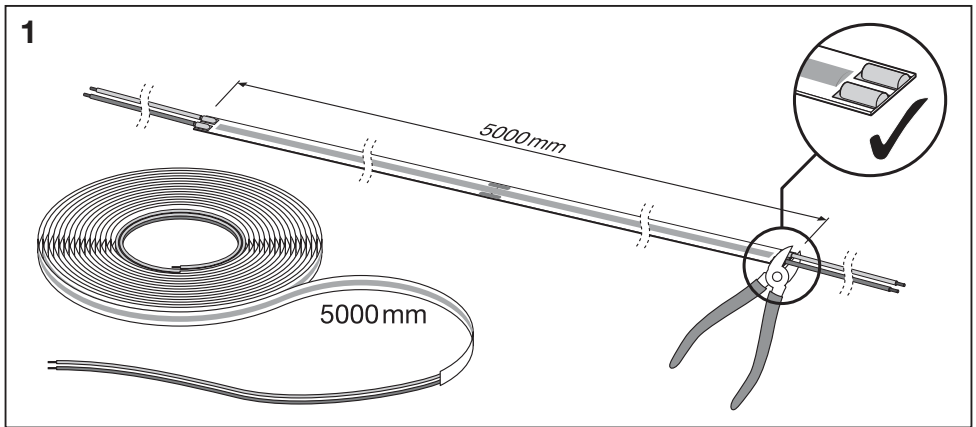


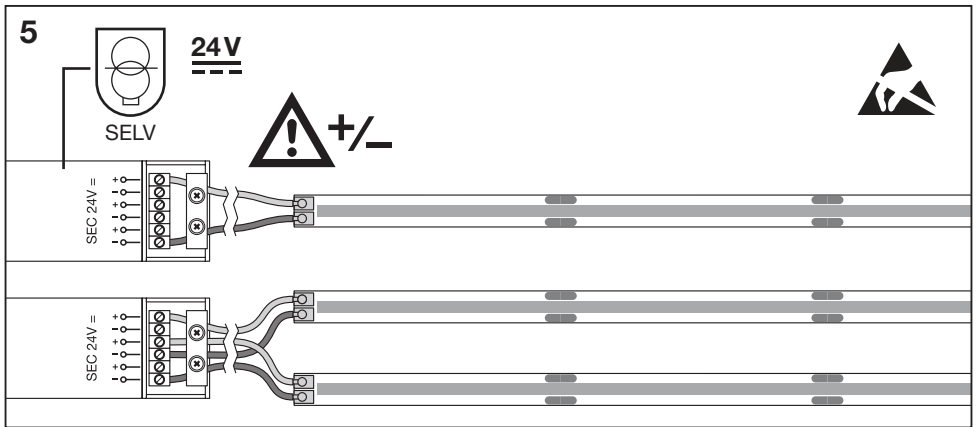
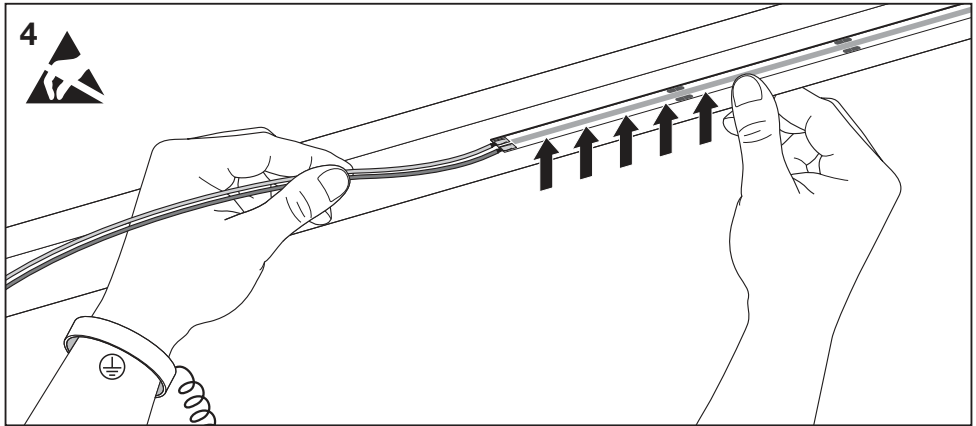
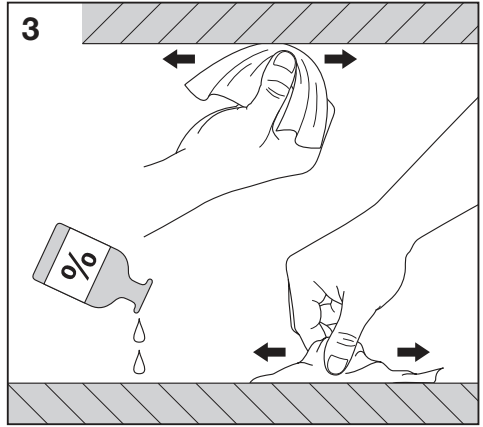
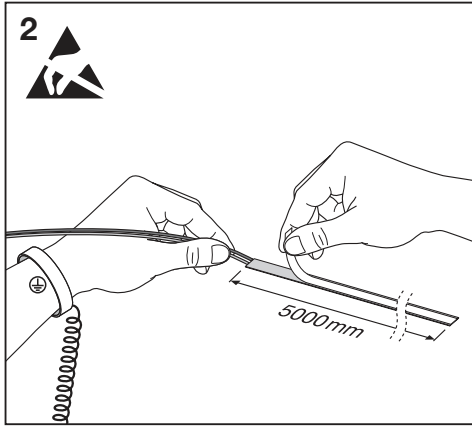
	EAN	l x w x h [mm]	V _{nom}	W	W/m	lm	lm/m	lm/W	K	⊖ (°C)	∠	R _a
LS PFM-1000/COB/927/5	4058075597525	5000 x 8 x 1.7	24V	38	11	2850	1010	92	2700	-20...+55	140°	>90
LS PFM-1000/COB/930/5	4058075597532	5000 x 8 x 1.7	24V	38	11	3100	1010	95	3000	-20...+55	140°	>90
LS PFM-1000/COB/940/5	4058075597549	5000 x 8 x 1.7	24V	38	11	3300	1040	97	4000	-20...+55	140°	>90
LS PFM-1000/COB/965/5	4058075597556	5000 x 8 x 1.7	24V	38	11	3500	1060	98	6500	-20...+55	140°	>90

Length of supply wire (0,5 mm ² wire cross-section) ¹⁾	Max. meters of LED STRIP at T _a =25°C ²⁾				
	<0.5m	1 m	3m	6m	10m
LS PFM-1000/COB/927/5	7m	6.8m	6.6m	5.8m	5.1m
LS PFM-1000/COB/930/5	7m	6.8m	6.6m	5.8m	5.1m
LS PFM-1000/COB/940/5	7m	6.8m	6.6m	5.8m	5.1m
LS PFM-1000/COB/965/5	7m	6.8m	6.6m	5.8m	5.1m



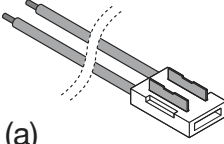
A





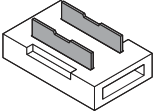
B

**LS AY PFM -CP/P2/
500/COB X2**
EAN 4058075654075



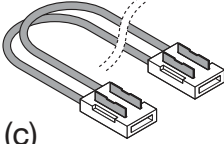
(a)

**LS AY PFM -CSD/P2/
COB X2**
EAN 4058075654112

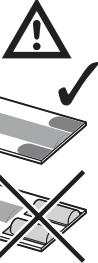


(b)

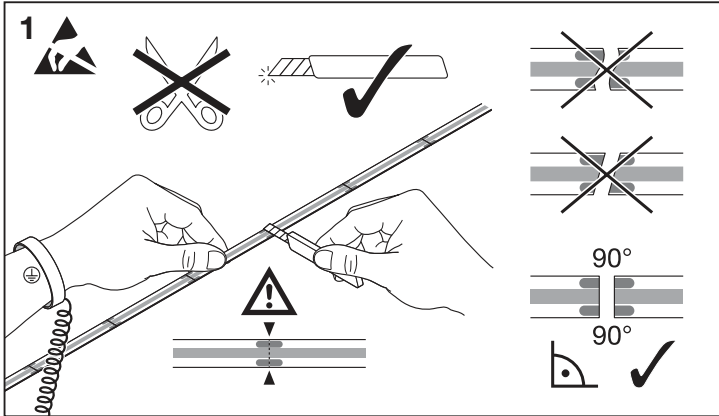
**LS AY PFM -CSW/P2/
50/COB X2**
EAN 4058075654099



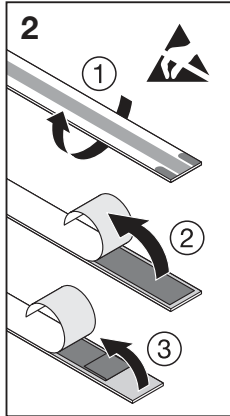
(c)



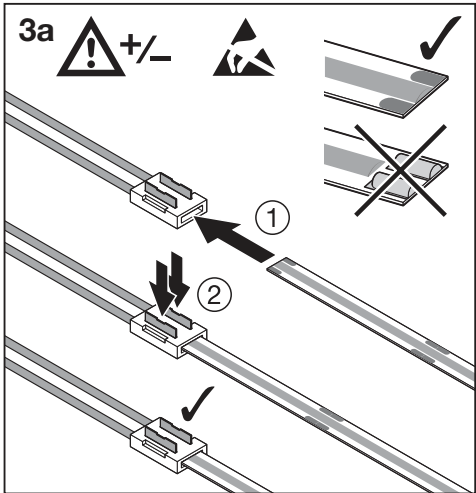
1



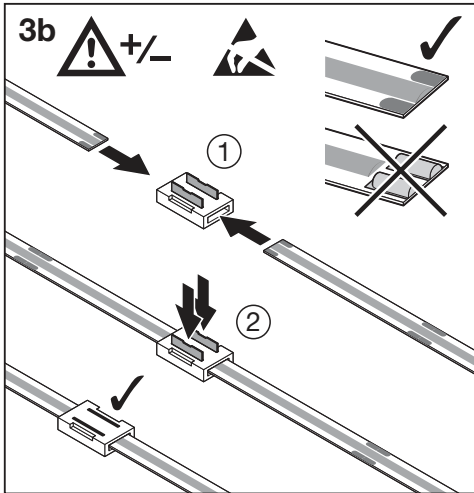
2

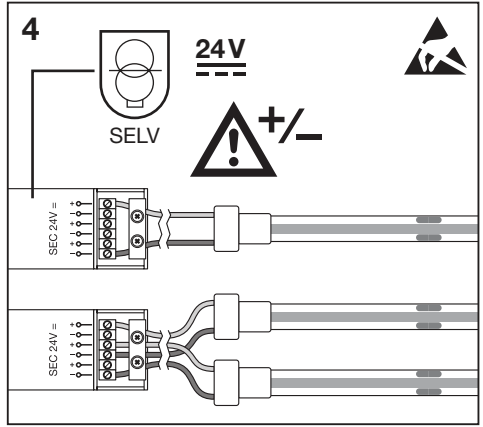
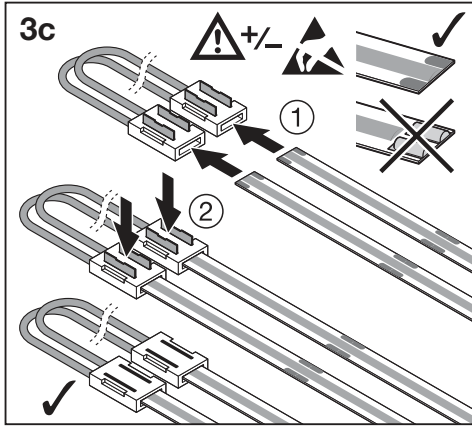


3a



3b





C

