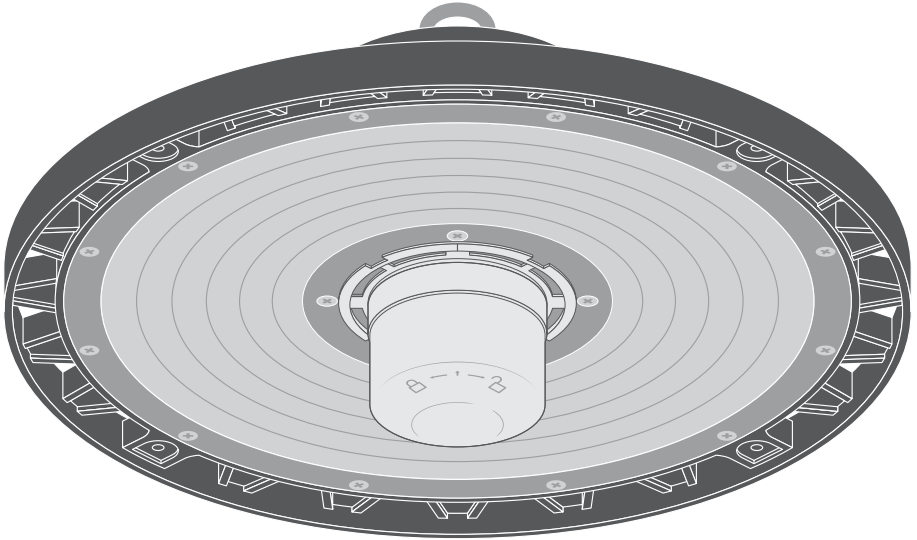
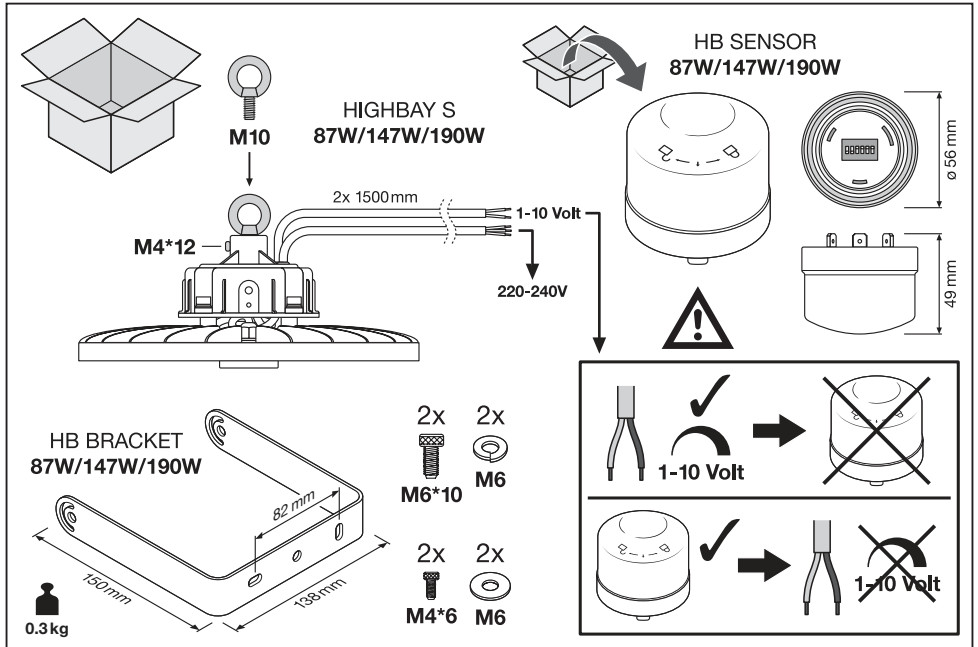

HIGHBAY SENSOR



	EAN	Ø x h [mm]	W	V _{AC}	Hz	lm	lm/W	K
HB SEN P 87W 840 110DEG IP65	4058075603257	280 x 190	87	220-240	50/60	13000	150	4000
HB SEN P 147W 840 110DEG IP65	4058075603264	321 x 188	147	220-240	50/60	22000	150	4000
HB SEN P 147W 840 70DEG IP65	4058075603271	321 x 188	147	220-240	50/60	22000	150	4000
HB SEN P 190W 840 110DEG IP65	4058075603288	321 x 192	190	220-240	50/60	27000	140	4000

	EAN	IP	IK	∠	R _a	⊖ (°C)	PF	⊎
HB SEN P 87W 840 110DEG IP65	4058075603257	65	08	110°	≥80	-20 ... +50	>0.95	2.3 kg
HB SEN P 147W 840 110DEG IP65	4058075603264	65	08	110°	≥80	-20 ... +50	>0.95	2.6 kg
HB SEN P 147W 840 70DEG IP65	4058075603271	65	08	70°	≥80	-20 ... +50	>0.95	2.7 kg
HB SEN P 190W 840 110DEG IP65	4058075603288	65	08	110°	≥80	-20 ... +50	>0.95	2.9 kg



HIGHBAY S
87W/147W/190W

HB SENSOR
87W/147W/190W

HB BRACKET
87W/147W/190W




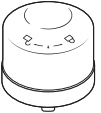


0.3 kg

2x M6*10
2x M6

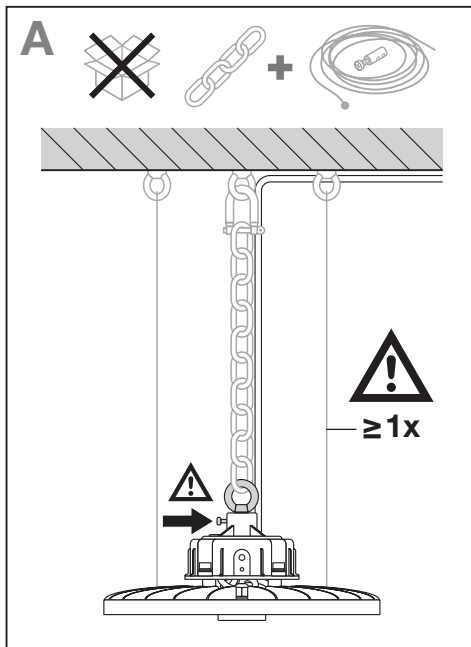
2x M4*6
2x M6


2x 1500mm
1-10 Volt
220-240V

ø 56 mm
49 mm

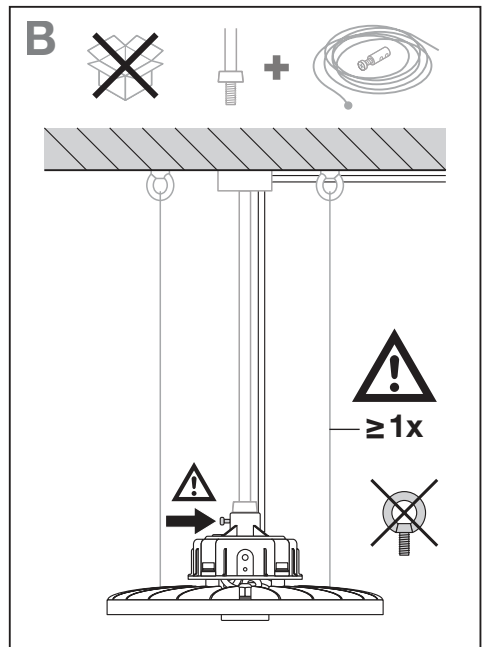
		
	1-10 Volt	
		
		1-10 Volt


A

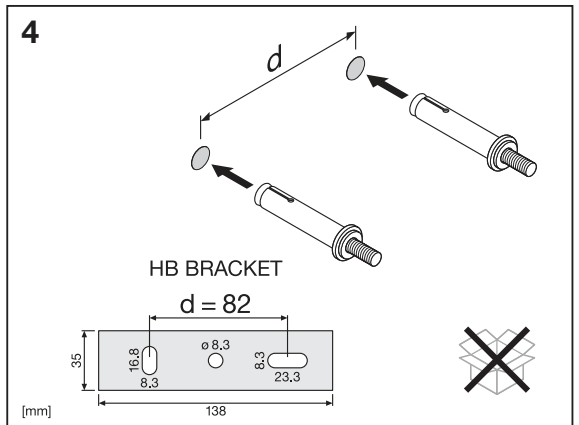
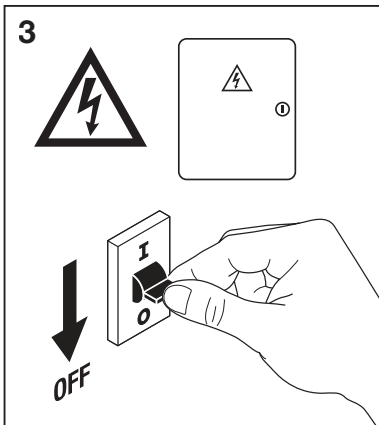
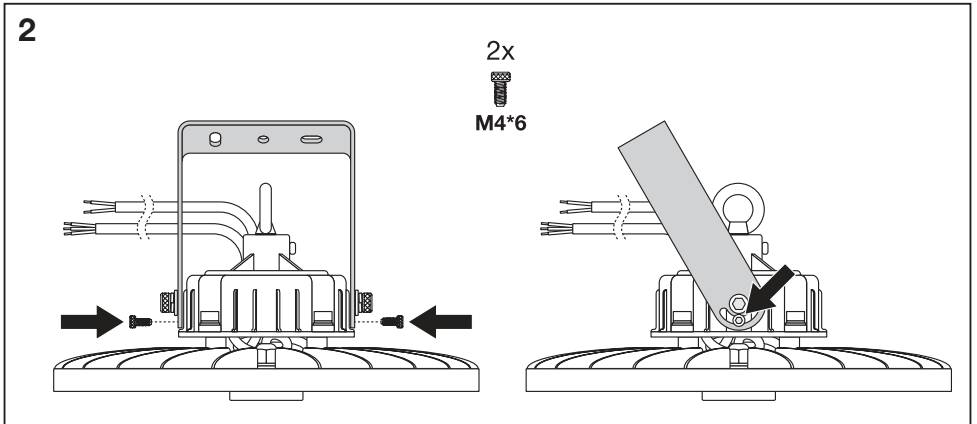
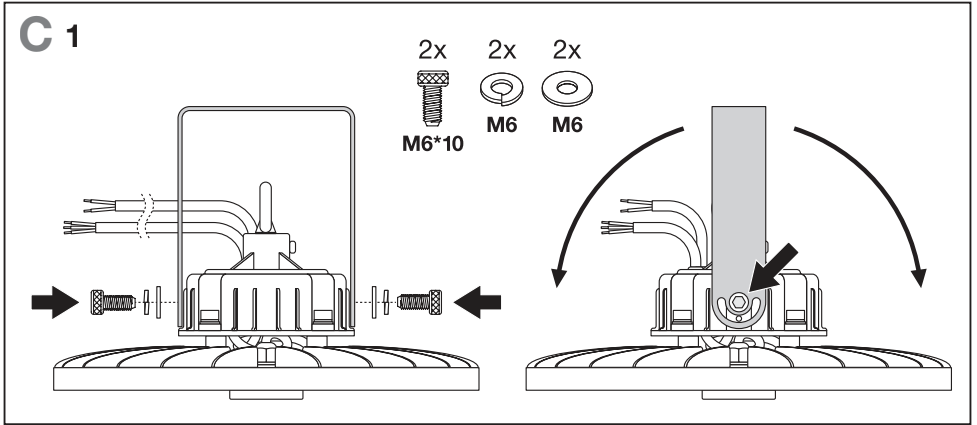


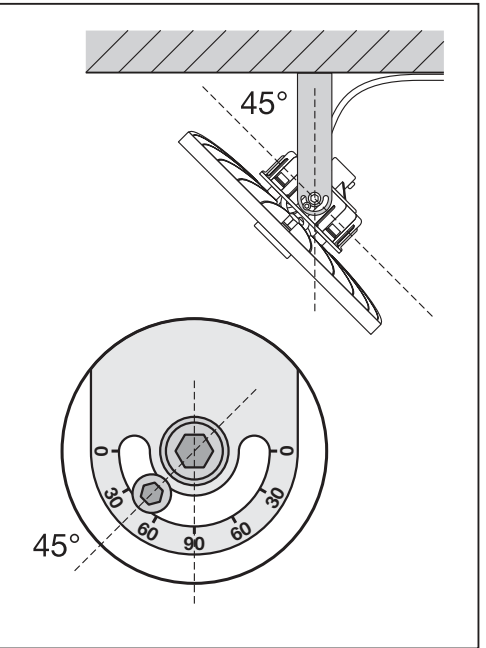
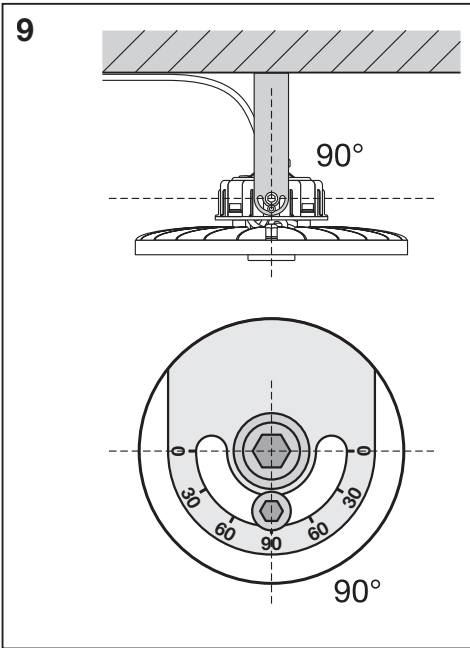
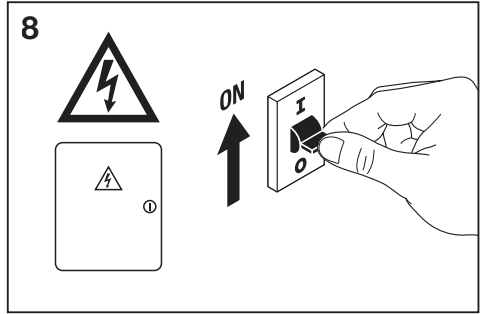
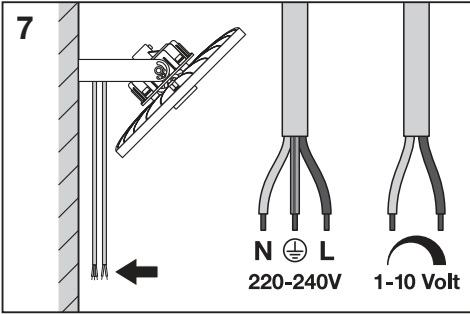
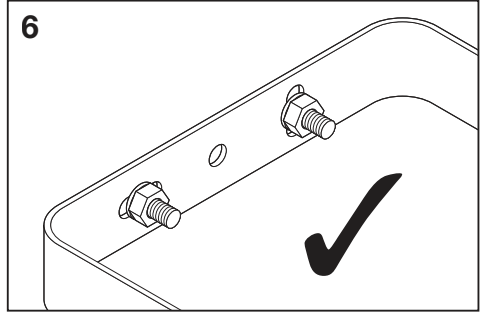
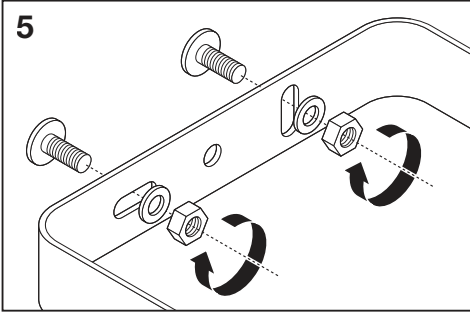
 ≥ 1x

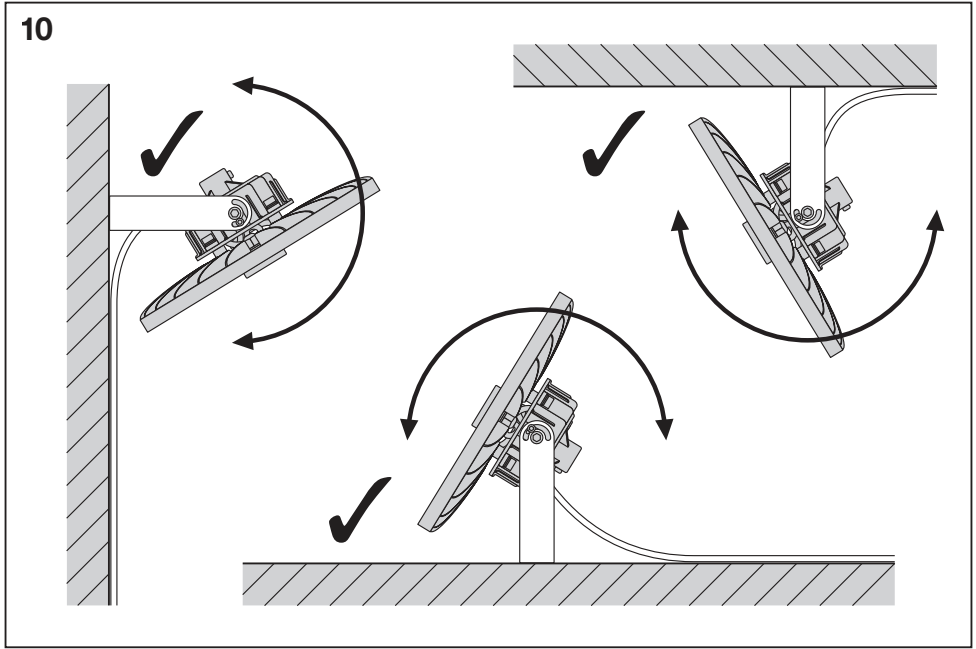
B



 ≥ 1x







11

Detection Area

1	
●	100 %
○	50 %

Hold Time

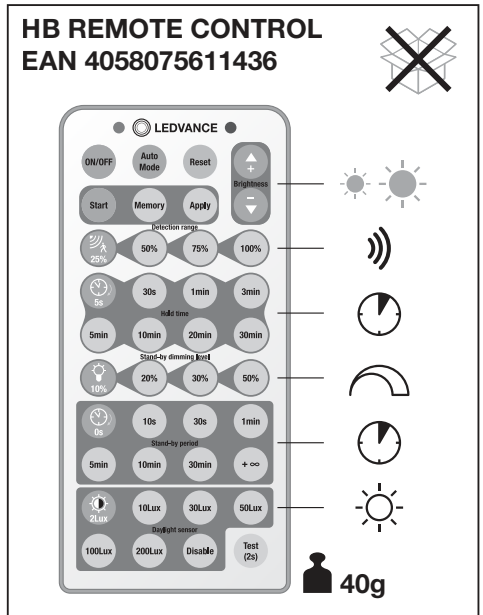
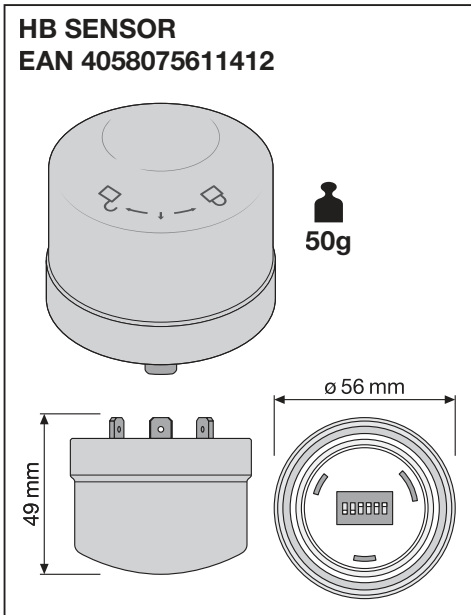
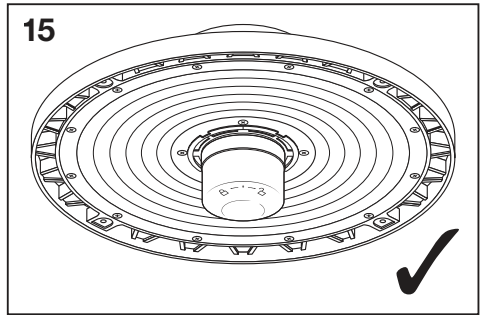
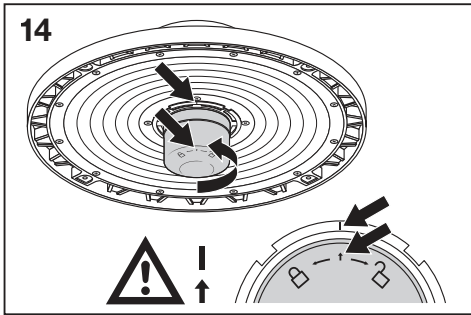
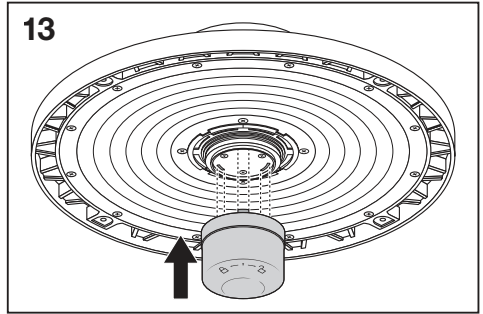
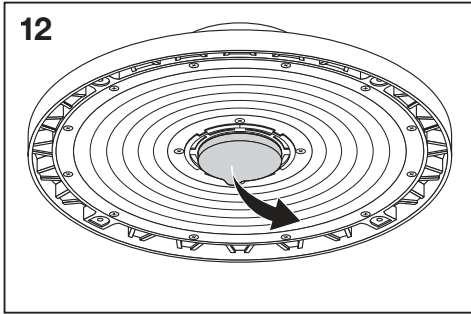
2	3	
●	●	30s
●	○	1 min
○	●	5 min
○	○	10min

Daylight Sensor

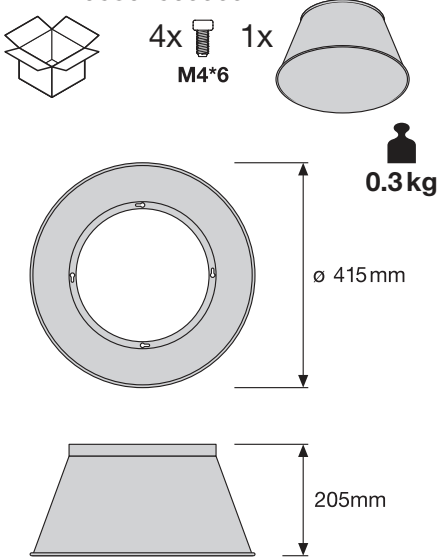
4	
●	Disable
○	100 LUX

Dimming Level

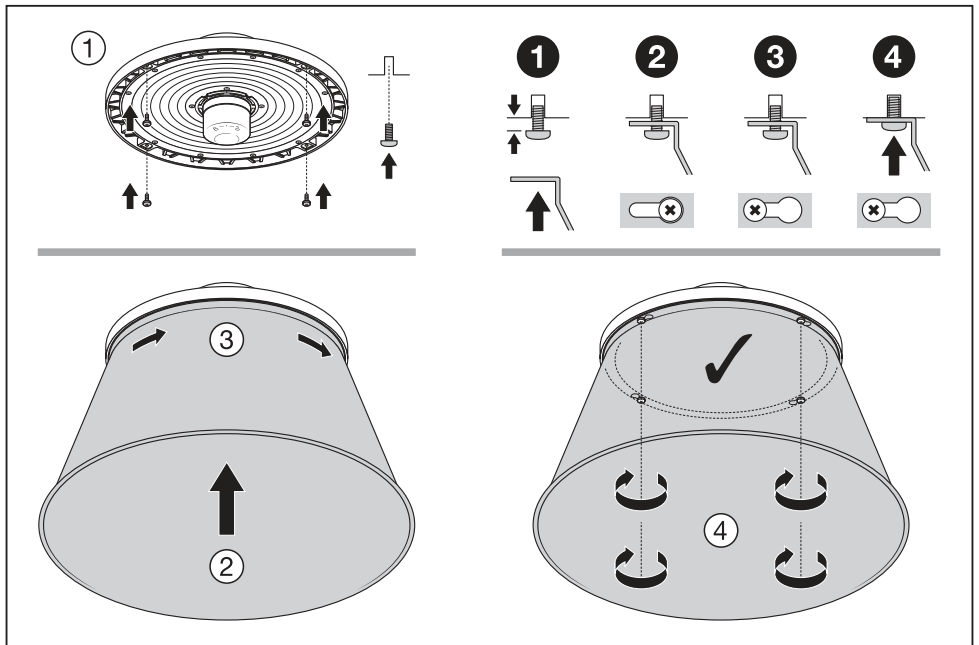
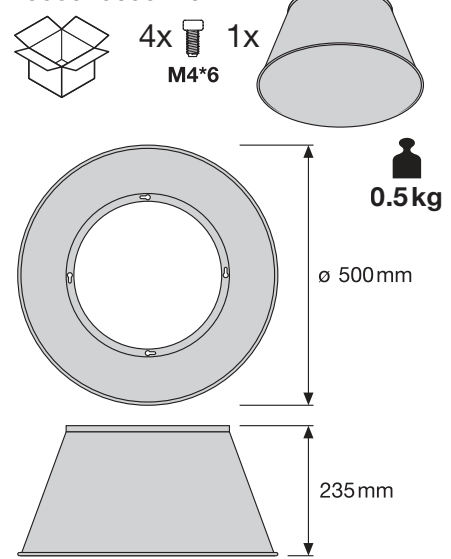
5	6	
●	●	OFF
○	●	10 %
●	○	30 %



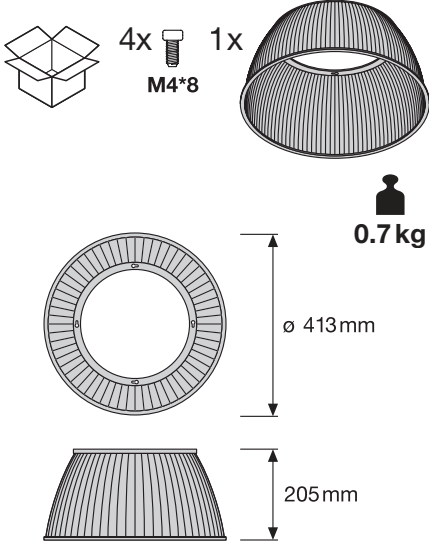
HB ALU REFLECTOR 87W
EAN 4058075699397



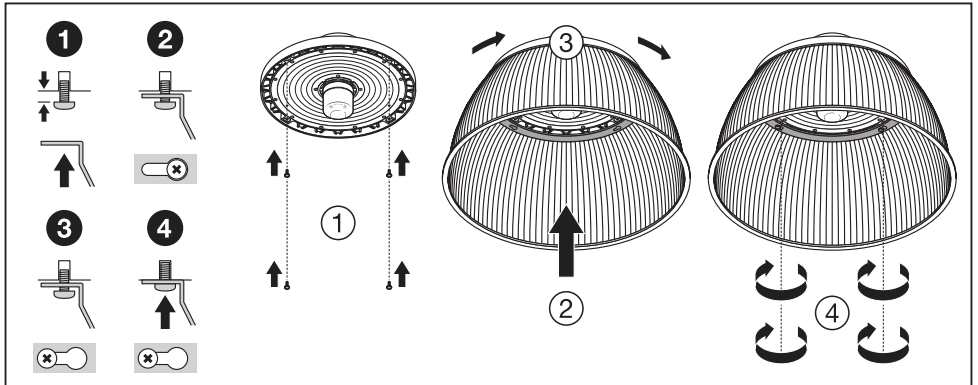
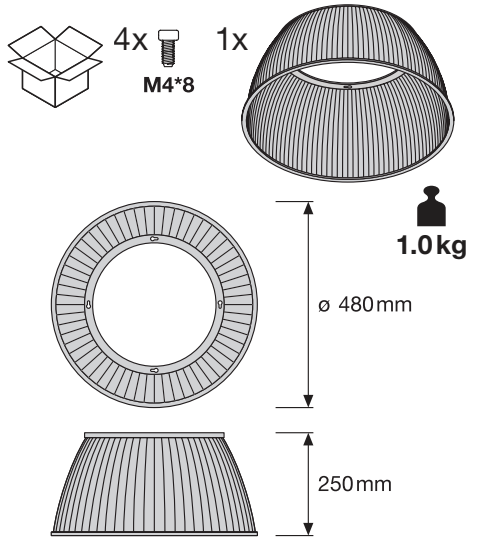
HB ALU REFLECTOR 147/190/210W
4058075699410



HB PC REFRACTOR 87W
EAN 4058075699359



HB PC REFRACTOR 147/190/210W
EAN 4058075699373



	B16A	C10A	C16A
HB SEN P 87W 840 110DEG IP65	5	5	8
HB SEN P 147W 840 110DEG IP65	4	4	6
HB SEN P 147W 840 70DEG IP65	4	4	6
HB SEN P 190W 840 110DEG IP65	3	3	5



LEDVANCE GmbH
 Steinerne Furt 62
 86167 Augsburg, Germany
www.ledvance.com

LEDVANCE Ltd, Aquila House
 Delta Crescent, Westbrook, Warrington
 WA5 7NR, United Kingdom