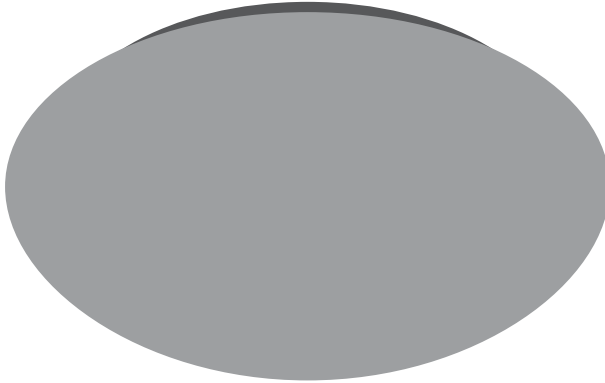
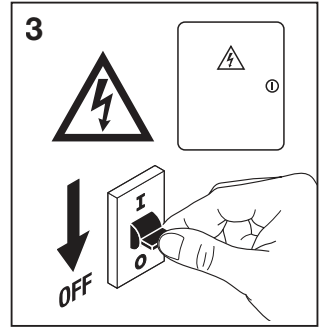
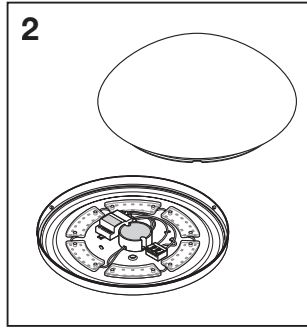
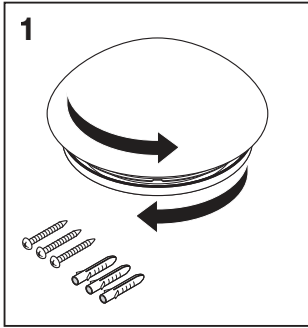

SURFACE CIRCULAR

SURFACE CIRCULAR SENSOR



| | EAN | Ø x h [mm] | W | V _{AC} | Hz | lm | lm/W | K |
|--------------------------------|---------------|------------|----|-----------------|-------|------|------|------|
| SF CIRC 250 V 13W 830 IP44 | 4058075617865 | 250x91 | 13 | 220-240 | 50/60 | 920 | 70 | 3000 |
| SF CIRC 250 V 13W 840 IP44 | 4058075617889 | 250x91 | 13 | 220-240 | 50/60 | 960 | 75 | 4000 |
| SF CIRC 250 SEN V 13W 830 IP44 | 4058075617902 | 250x91 | 13 | 220-240 | 50/60 | 920 | 70 | 3000 |
| SF CIRC 250 SEN V 13W 840 IP44 | 4058075617926 | 250x91 | 13 | 220-240 | 50/60 | 960 | 75 | 4000 |
| SF CIRC 350 V 18W 830 IP44 | 4058075617940 | 350x115 | 18 | 220-240 | 50/60 | 1440 | 80 | 3000 |
| SF CIRC 350 V 18W 840 IP44 | 4058075617964 | 350x115 | 18 | 220-240 | 50/60 | 1440 | 80 | 4000 |
| SF CIRC 350 SEN V 18W 830 IP44 | 4058075617988 | 350x115 | 18 | 220-240 | 50/60 | 1440 | 80 | 3000 |
| SF CIRC 350 SEN V 18W 840 IP44 | 4058075618008 | 350x115 | 18 | 220-240 | 50/60 | 1440 | 80 | 4000 |
| SF CIRC 400 V 24W 830 IP44 | 4058075618022 | 400x120 | 24 | 220-240 | 50/60 | 1920 | 80 | 3000 |
| SF CIRC 400 V 24W 840 IP44 | 4058075618046 | 400x120 | 24 | 220-240 | 50/60 | 1920 | 80 | 4000 |
| SF CIRC 400 SEN V 24W 830 IP44 | 4058075618084 | 400x120 | 24 | 220-240 | 50/60 | 1920 | 80 | 3000 |
| SF CIRC 400 SEN V 24W 840 IP44 | 4058075618121 | 400x120 | 24 | 220-240 | 50/60 | 1920 | 80 | 4000 |

| | EAN | IP | IK | ∠ | R _a | ΔT (°C) | PF | 👤 |
|--------------------------------|---------------|----|----|------|----------------|-----------|-------|--------|
| SF CIRC 250 V 13W 830 IP44 | 4058075617865 | 44 | 03 | 120° | > 80 | -20...+40 | > 0.5 | 0.3 kg |
| SF CIRC 250 V 13W 840 IP44 | 4058075617889 | 44 | 03 | 120° | > 80 | -20...+40 | > 0.5 | 0.3 kg |
| SF CIRC 250 SEN V 13W 830 IP44 | 4058075617902 | 44 | 03 | 120° | > 80 | -20...+40 | > 0.5 | 0.3 kg |
| SF CIRC 250 SEN V 13W 840 IP44 | 4058075617926 | 44 | 03 | 120° | > 80 | -20...+40 | > 0.5 | 0.3 kg |
| SF CIRC 350 V 18W 830 IP44 | 4058075617940 | 44 | 03 | 120° | > 80 | -20...+40 | > 0.5 | 0.5 kg |
| SF CIRC 350 V 18W 840 IP44 | 4058075617964 | 44 | 03 | 120° | > 80 | -20...+40 | > 0.5 | 0.5 kg |
| SF CIRC 350 SEN V 18W 830 IP44 | 4058075617988 | 44 | 03 | 120° | > 80 | -20...+40 | > 0.5 | 0.5 kg |
| SF CIRC 350 SEN V 18W 840 IP44 | 4058075618008 | 44 | 03 | 120° | > 80 | -20...+40 | > 0.5 | 0.5 kg |
| SF CIRC 400 V 24W 830 IP44 | 4058075618022 | 44 | 03 | 120° | > 80 | -20...+40 | > 0.5 | 0.6 kg |
| SF CIRC 400 V 24W 840 IP44 | 4058075618046 | 44 | 03 | 120° | > 80 | -20...+40 | > 0.5 | 0.6 kg |
| SF CIRC 400 SEN V 24W 830 IP44 | 4058075618084 | 44 | 03 | 120° | > 80 | -20...+40 | > 0.5 | 0.6 kg |
| SF CIRC 400 SEN V 24W 840 IP44 | 4058075618121 | 44 | 03 | 120° | > 80 | -20...+40 | > 0.5 | 0.6 kg |



IP44

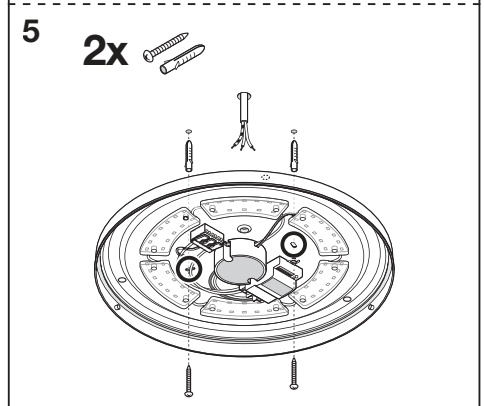
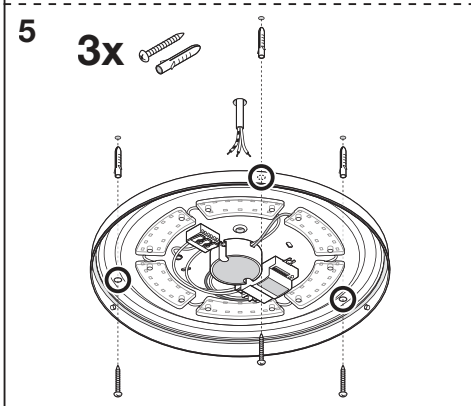
4

| [mm] | d |
|----------------------|-----|
| SURFACE CIRCULAR 250 | 157 |
| SURFACE CIRCULAR 350 | 223 |
| SURFACE CIRCULAR 400 | 266 |

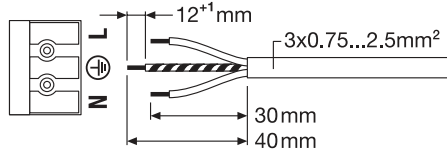
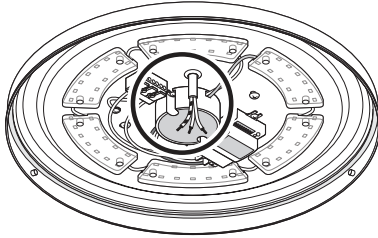
IP20

4

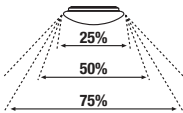
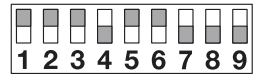
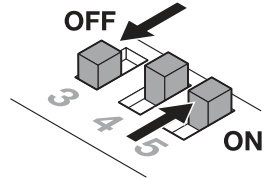
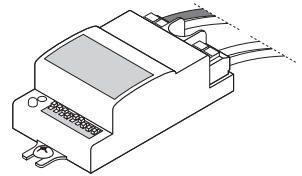
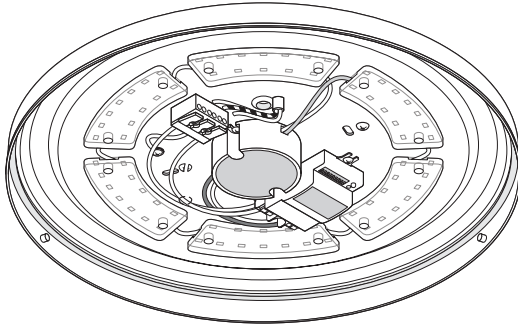
| [mm] | s |
|----------------------|-----|
| SURFACE CIRCULAR 250 | 110 |
| SURFACE CIRCULAR 350 | 95 |
| SURFACE CIRCULAR 400 | 130 |



6



7: SURFACE CIRCULAR SENSOR



Detection Area

| 1 | 2 | 3 | |
|----|----|----|-------|
| ON | ON | ON | 100 % |
| - | ON | ON | 75 % |
| ON | - | ON | 50 % |
| - | - | ON | 25 % |
| - | - | - | 10 % |



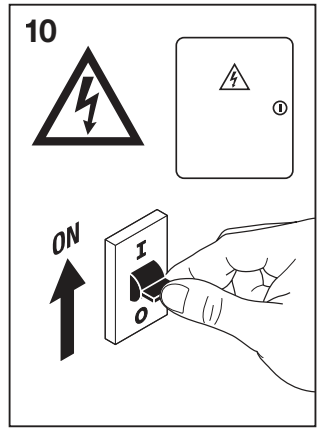
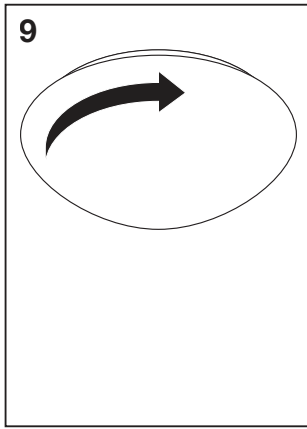
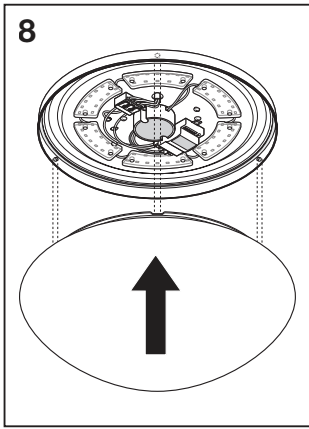
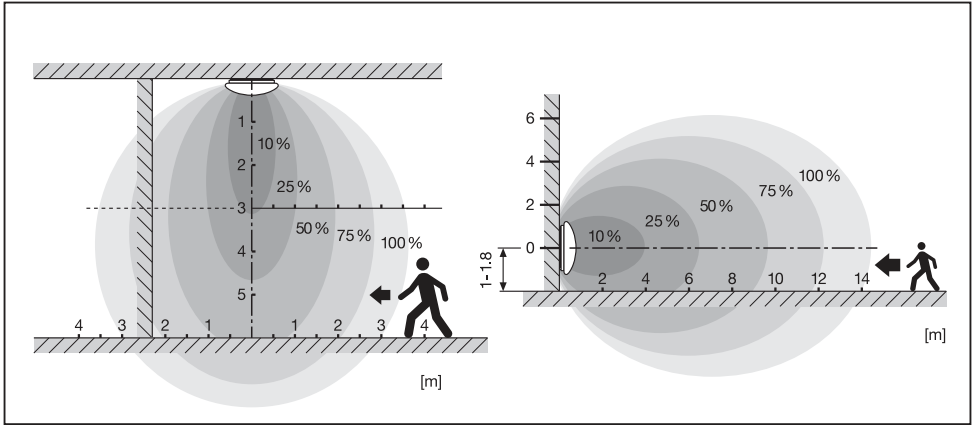
Hold Time

| 4 | 5 | 6 | |
|----|----|----|--------|
| ON | ON | ON | 5 s |
| - | ON | ON | 30 s |
| ON | - | ON | 90 s |
| - | - | ON | 3 min |
| ON | ON | - | 20 min |
| - | - | - | 30 min |



Daylight Sensor

| 7 | 8 | 9 | |
|----|----|----|---------|
| ON | ON | ON | 2 LUX |
| ON | ON | - | 10 LUX |
| - | ON | - | 25 LUX |
| ON | - | - | 50 LUX |
| - | - | - | Disable |



| | EAN | Ø x h [mm] |
|-----------------------|---------------|------------|
| SF CIRCULAR 250 COVER | 4058075156722 | 250x80 |
| SF CIRCULAR 350 COVER | 4058075156807 | 350x104 |
| SF CIRCULAR 400 COVER | 4058075156821 | 400x112 |

C10449057
 G11121227
 17.05.21

LEDVANCE GmbH
 Steinerne Furt 62
 86167 Augsburg, Germany
www.ledvance.com