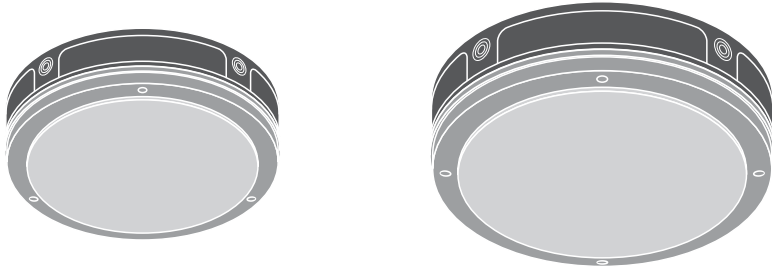


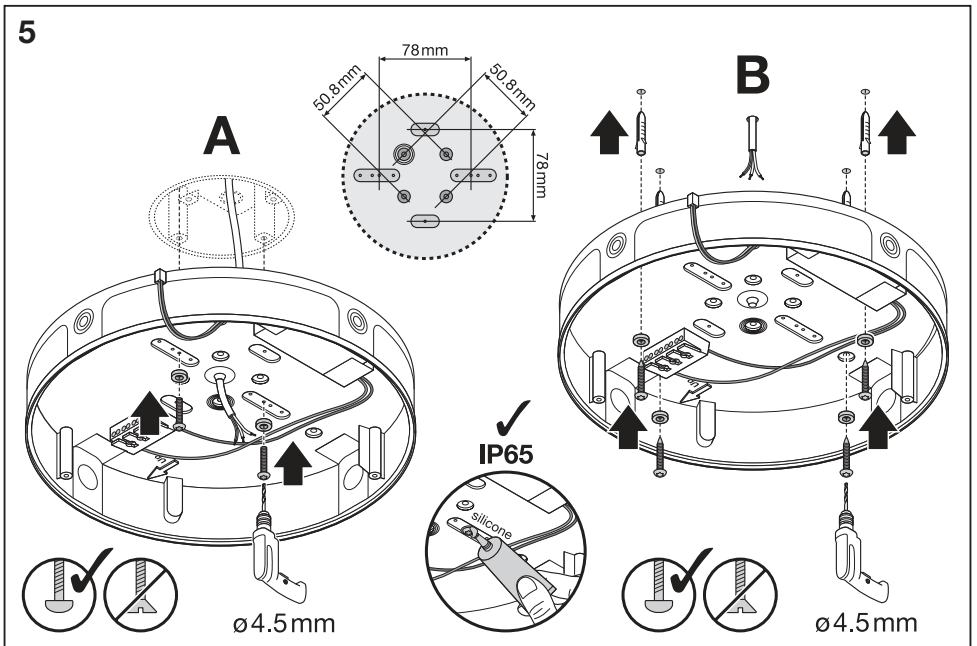
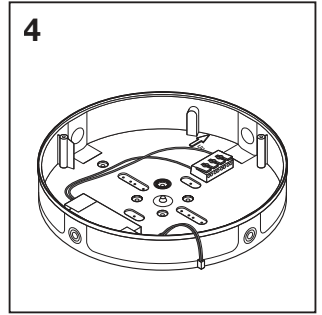
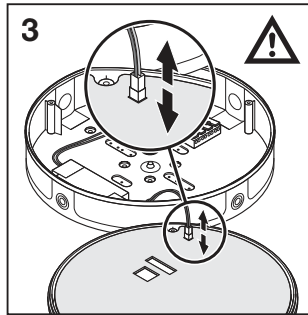
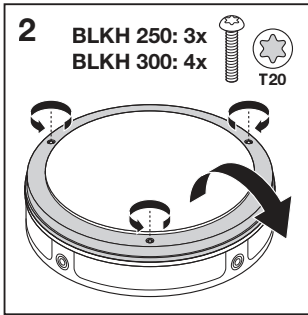
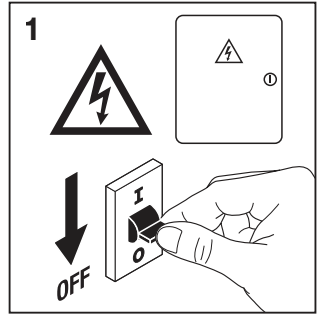
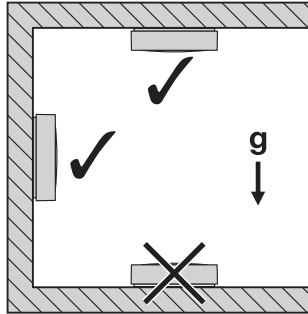
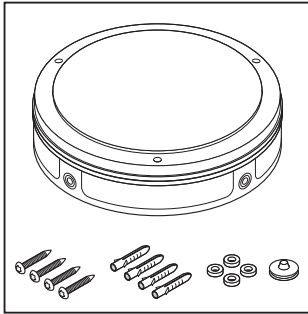
SURFACE BULKHEAD SENSOR

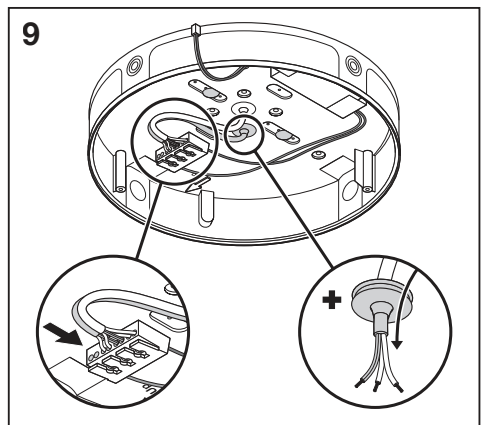
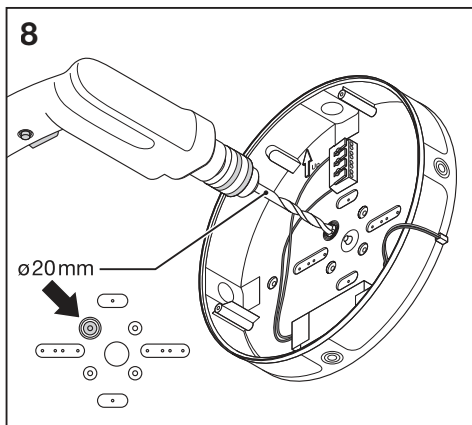
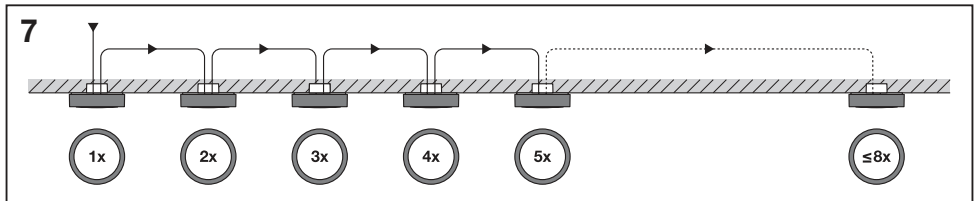
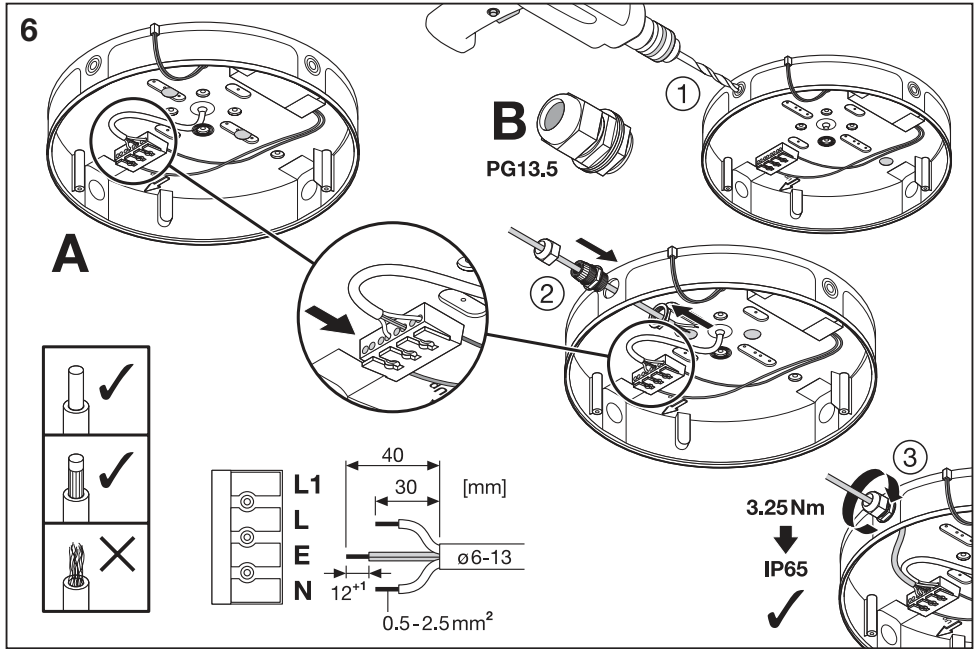
SURFACE BULKHEAD SENSOR EMERGENCY

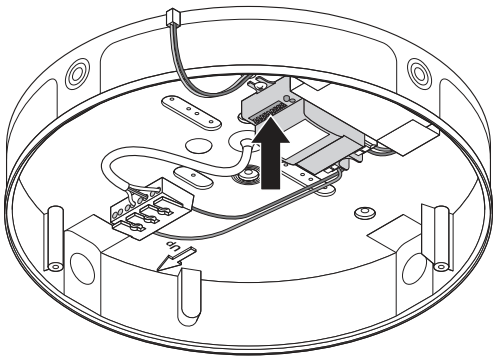
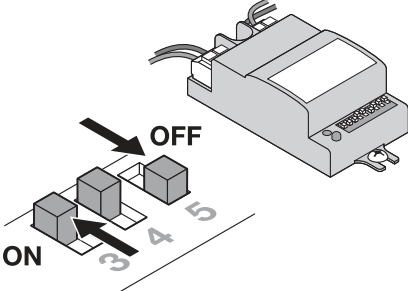
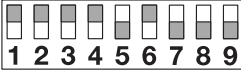


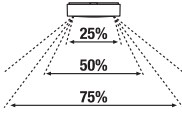
| | EAN | Ø x h [mm] | W | W _R | V _{AC} | Hz | lm | lm/W | K |
|------------------------------------|---------------|------------|----|----------------|-----------------|---------|------|------|------|
| SF BLKH S 250 P 10W 830 WT IP65 | 4058075647220 | 250x70 | 10 | 9 | 220-240V | 50/60Hz | 800 | 80 | 3000 |
| SF BLKH S 250 P 10W 840 WT IP65 | 4058075647244 | 250x70 | 10 | 9 | 220-240V | 50/60Hz | 800 | 80 | 4000 |
| SF BLKH S 250 P 10W 830 BK IP65 | 4058075647268 | 250x70 | 10 | 9 | 220-240V | 50/60Hz | 800 | 80 | 3000 |
| SF BLKH S 250 P 10W 840 BK IP65 | 4058075647282 | 250x70 | 10 | 9 | 220-240V | 50/60Hz | 800 | 80 | 4000 |
| SF BLKH S 250 P 10W 830 WT IP65 EM | 4058075647381 | 250x70 | 10 | 12 | 220-240V | 50/60Hz | 800 | 80 | 3000 |
| SF BLKH S 250 P 10W 840 WT IP65 EM | 4058075647404 | 250x70 | 10 | 12 | 220-240V | 50/60Hz | 800 | 80 | 4000 |
| SF BLKH S 250 P 10W 830 BK IP65 EM | 4058075647428 | 250x70 | 10 | 12 | 220-240V | 50/60Hz | 800 | 80 | 3000 |
| SF BLKH S 250 P 10W 840 BK IP65 EM | 4058075647442 | 250x70 | 10 | 12 | 220-240V | 50/60Hz | 800 | 80 | 4000 |
| SF BLKH S 300 P 15W 830 WT IP65 | 4058075647541 | 300x70 | 15 | 14 | 220-240V | 50/60Hz | 1400 | 95 | 3000 |
| SF BLKH S 300 P 15W 840 WT IP65 | 4058075647565 | 300x70 | 15 | 14 | 220-240V | 50/60Hz | 1400 | 95 | 4000 |
| SF BLKH S 300 P 15W 830 BK IP65 | 4058075647589 | 300x70 | 15 | 14 | 220-240V | 50/60Hz | 1400 | 95 | 3000 |
| SF BLKH S 300 P 15W 840 BK IP65 | 4058075647602 | 300x70 | 15 | 14 | 220-240V | 50/60Hz | 1400 | 95 | 4000 |
| SF BLKH S 300 P 15W 830 WT IP65 EM | 4058075647701 | 300x70 | 15 | 17 | 220-240V | 50/60Hz | 1400 | 95 | 3000 |
| SF BLKH S 300 P 15W 840 WT IP65 EM | 4058075647725 | 300x70 | 15 | 17 | 220-240V | 50/60Hz | 1400 | 95 | 4000 |
| SF BLKH S 300 P 15W 830 BK IP65 EM | 4058075647749 | 300x70 | 15 | 17 | 220-240V | 50/60Hz | 1400 | 95 | 3000 |
| SF BLKH S 300 P 15W 840 BK IP65 EM | 4058075647763 | 300x70 | 15 | 17 | 220-240V | 50/60Hz | 1400 | 95 | 4000 |

| | EAN | IP | IK | ∠ | R _a | °(°C) | PF | 👤 |
|------------------------------------|---------------|----|----|------|----------------|-----------|-------|--------|
| SF BLKH S 250 P 10W 830 WT IP65 | 4058075647220 | 65 | 10 | 120° | > 80 | -20...+40 | ≥ 0.5 | 0.6 kg |
| SF BLKH S 250 P 10W 840 WT IP65 | 4058075647244 | 65 | 10 | 120° | > 80 | -20...+40 | ≥ 0.5 | 0.6 kg |
| SF BLKH S 250 P 10W 830 BK IP65 | 4058075647268 | 65 | 10 | 120° | > 80 | -20...+40 | ≥ 0.5 | 0.6 kg |
| SF BLKH S 250 P 10W 840 BK IP65 | 4058075647282 | 65 | 10 | 120° | > 80 | -20...+40 | ≥ 0.5 | 0.6 kg |
| SF BLKH S 250 P 10W 830 WT IP65 EM | 4058075647381 | 65 | 10 | 120° | > 80 | +5...+40 | ≥ 0.5 | 0.9 kg |
| SF BLKH S 250 P 10W 840 WT IP65 EM | 4058075647404 | 65 | 10 | 120° | > 80 | +5...+40 | ≥ 0.5 | 0.9 kg |
| SF BLKH S 250 P 10W 830 BK IP65 EM | 4058075647428 | 65 | 10 | 120° | > 80 | +5...+40 | ≥ 0.5 | 0.9 kg |
| SF BLKH S 250 P 10W 840 BK IP65 EM | 4058075647442 | 65 | 10 | 120° | > 80 | +5...+40 | ≥ 0.5 | 0.9 kg |
| SF BLKH S 300 P 15W 830 WT IP65 | 4058075647541 | 65 | 10 | 120° | > 80 | -20...+40 | ≥ 0.7 | 0.8 kg |
| SF BLKH S 300 P 15W 840 WT IP65 | 4058075647565 | 65 | 10 | 120° | > 80 | -20...+40 | ≥ 0.7 | 0.8 kg |
| SF BLKH S 300 P 15W 830 BK IP65 | 4058075647589 | 65 | 10 | 120° | > 80 | -20...+40 | ≥ 0.7 | 0.8 kg |
| SF BLKH S 300 P 15W 840 BK IP65 | 4058075647602 | 65 | 10 | 120° | > 80 | -20...+40 | ≥ 0.7 | 0.8 kg |
| SF BLKH S 300 P 15W 830 WT IP65 EM | 4058075647701 | 65 | 10 | 120° | > 80 | +5...+40 | ≥ 0.7 | 1.1 kg |
| SF BLKH S 300 P 15W 840 WT IP65 EM | 4058075647725 | 65 | 10 | 120° | > 80 | +5...+40 | ≥ 0.7 | 1.1 kg |
| SF BLKH S 300 P 15W 830 BK IP65 EM | 4058075647749 | 65 | 10 | 120° | > 80 | +5...+40 | ≥ 0.7 | 1.1 kg |
| SF BLKH S 300 P 15W 840 BK IP65 EM | 4058075647763 | 65 | 10 | 120° | > 80 | +5...+40 | ≥ 0.7 | 1.1 kg |









Detection Area

| 1 | 2 | 3 | |
|----|----|----|-------|
| ON | ON | ON | 100 % |
| - | ON | ON | 75 % |
| ON | - | ON | 50 % |
| - | - | ON | 25 % |
| - | - | - | 10 % |



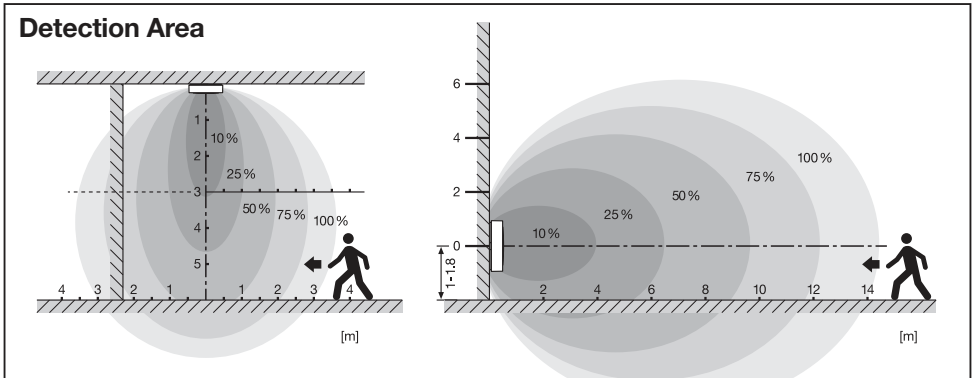
Hold Time

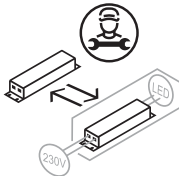
| 4 | 5 | 6 | |
|----|----|----|--------|
| ON | ON | ON | 5 s |
| - | ON | ON | 30 s |
| ON | - | ON | 90 s |
| - | - | ON | 3 min |
| ON | ON | - | 20 min |
| - | - | - | 30 min |





Daylight Sensor

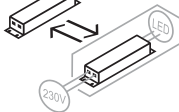
| 7 | 8 | 9 | |
|----|----|----|---------|
| ON | ON | ON | 2 LUX |
| ON | ON | - | 10 LUX |
| - | ON | - | 25 LUX |
| ON | - | - | 50 LUX |
| - | - | - | Disable |















C10449057
G11126287
02.08.21



LEDVANCE GmbH
Steinerne Furt 62
86167 Augsburg, Germany
www.ledvance.com