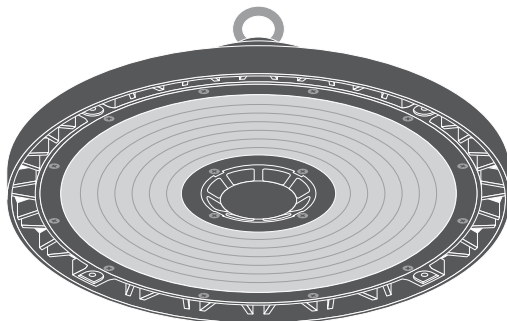
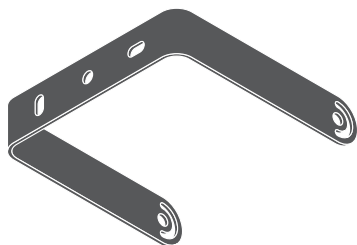


HIGHBAY Gen4

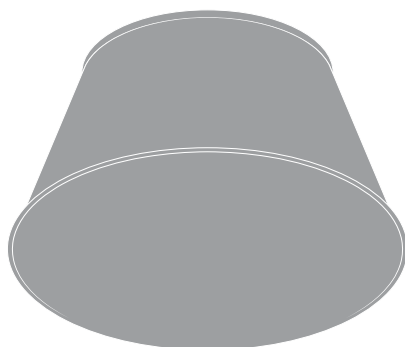



	EAN	Øxh [mm]	W	V _{AC}	Hz	lm	lm/W	K
HB P 87W 840 110DEG IP65	4058075692718	280x155	87	220-240V	50/60Hz	13000	150	4000
HB P 87W 840 70DEG IP65	4058075692787	280x155	87	220-240V	50/60Hz	13000	150	4000
HB P 147W 840 110DEG IP65	4058075692794	321x152	147	220-240V	50/60Hz	22000	150	4000
HB P 147W 840 70DEG IP65	4058075692800	321x152	147	220-240V	50/60Hz	22000	150	4000
HB P 190W 840 110DEG IP65	4058075692817	321x156	190	220-240V	50/60Hz	27000	140	4000
HB P 190W 840 70DEG IP65	4058075692824	321x156	190	220-240V	50/60Hz	27000	140	4000
HB P 210W 840 70DEG IP65	4058075692831	321x156	210	220-240V	50/60Hz	30000	140	4000
HB P 87W 865 110DEG IP65	4058075692848	280x155	87	220-240V	50/60Hz	13000	150	6500
HB P 87W 865 70DEG IP65	4058075692855	280x155	87	220-240V	50/60Hz	13000	150	6500
HB P 147W 865 110DEG IP65	4058075692862	321x152	147	220-240V	50/60Hz	22000	150	6500
HB P 147W 865 70DEG IP65	4058075764248	321x152	147	220-240V	50/60Hz	22000	150	6500
HB P 190W 865 110DEG IP65	4058075764255	321x156	190	220-240V	50/60Hz	27000	140	6500
HB P 190W 865 70DEG IP65	4058075692879	321x156	190	220-240V	50/60Hz	27000	140	6500
HB P 210W 865 70DEG IP65	4058075692886	321x156	210	220-240V	50/60Hz	30000	140	6500

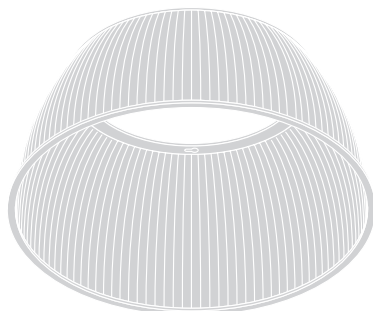
	EAN	IP	IK	▽	R _a	⌈(°C)	PF	👤
HB P 87W 840 110DEG IP65	4058075692718	65	08	110°	≥80	-30 ... +50	≥0.95	2.3 kg
HB P 87W 840 70DEG IP65	4058075692787	65	08	70°	≥80	-30 ... +50	≥0.95	2.3 kg
HB P 147W 840 110DEG IP65	4058075692794	65	08	110°	≥80	-30 ... +50	≥0.95	2.6 kg
HB P 147W 840 70DEG IP65	4058075692800	65	08	70°	≥80	-30 ... +50	≥0.95	2.6 kg
HB P 190W 840 110DEG IP65	4058075692817	65	08	110°	≥80	-30 ... +50	≥0.95	2.8 kg
HB P 190W 840 70DEG IP65	4058075692824	65	08	70°	≥80	-30 ... +50	≥0.95	2.8 kg
HB P 210W 840 70DEG IP65	4058075692831	65	08	70°	≥80	-30 ... +50	≥0.95	2.8 kg
HB P 87W 865 110DEG IP65	4058075692848	65	08	110°	≥80	-30 ... +50	≥0.95	2.3 kg
HB P 87W 865 70DEG IP65	4058075692855	65	08	70°	≥80	-30 ... +50	≥0.95	2.3 kg
HB P 147W 865 110DEG IP65	4058075692862	65	08	110°	≥80	-30 ... +50	≥0.95	2.6 kg
HB P 147W 865 70DEG IP65	4058075764248	65	08	70°	≥80	-30 ... +50	≥0.95	2.6 kg
HB P 190W 865 110DEG IP65	4058075764255	65	08	110°	≥80	-30 ... +50	≥0.95	2.8 kg
HB P 190W 865 70DEG IP65	4058075692879	65	08	70°	≥80	-30 ... +50	≥0.95	2.8 kg
HB P 210W 865 70DEG IP65	4058075692886	65	08	70°	≥80	-30 ... +50	≥0.95	2.8 kg




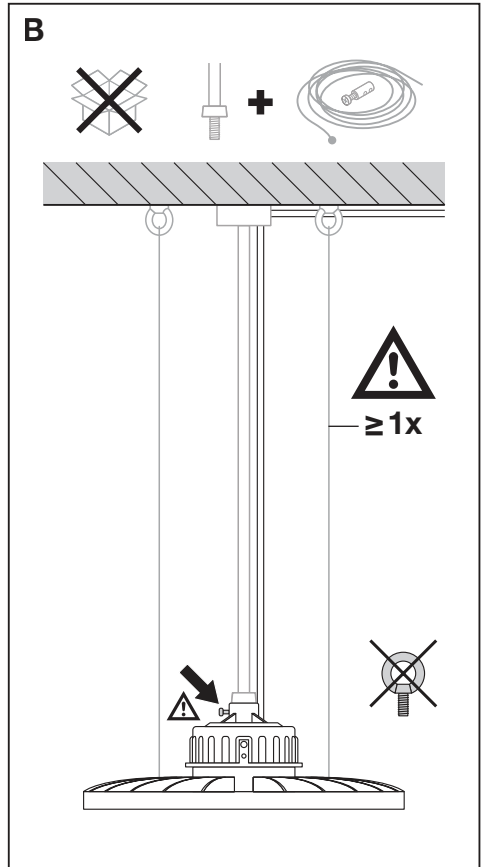
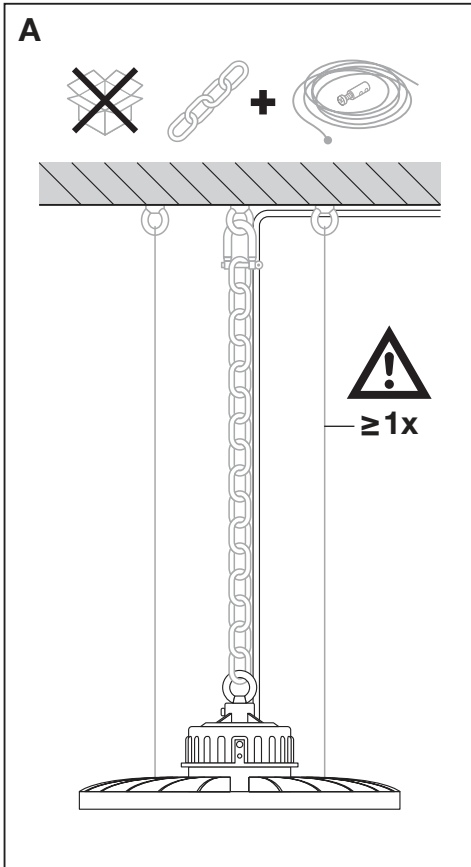
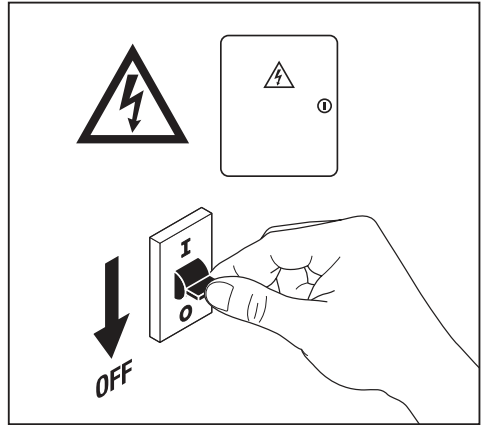
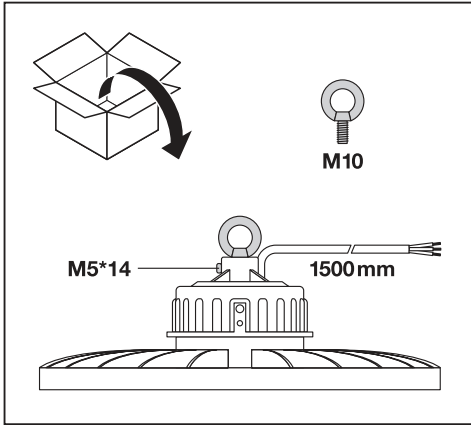
	EAN	l x w x h [mm]	
HB BRACKET 87 147 190 210W	4058075695191	138 x 35 x 150	0.3 kg



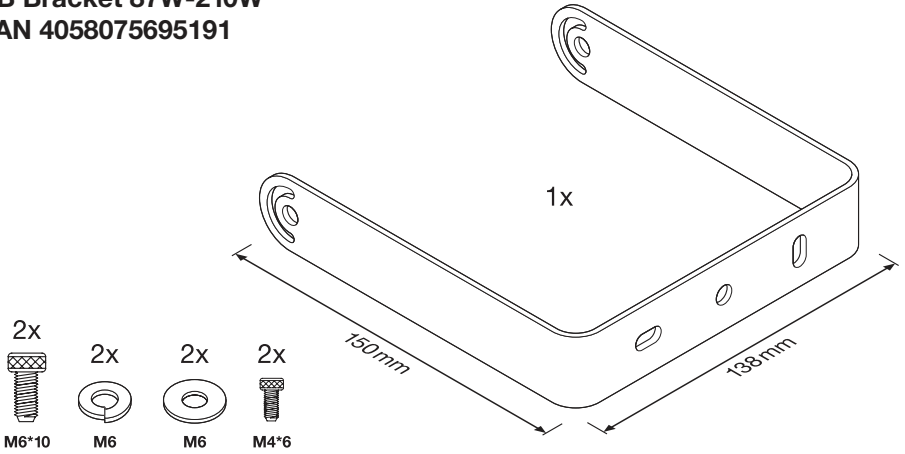
	EAN	Ø x h [mm]	
HB ALU REFLECTOR 87W	4058075699397	415 x 205	0.3 kg
HB ALU REFLECTOR 147 190 210W	4058075699410	500 x 235	0.5 kg



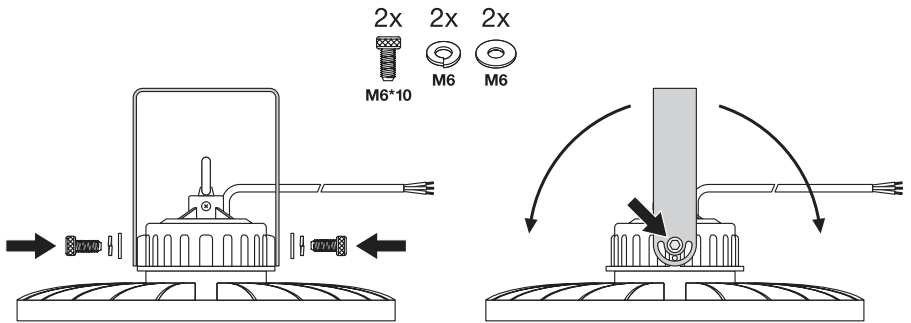
	EAN	Ø x h [mm]	
HB PC REFRACTOR 87W	4058075699359	413 x 205	0.7 kg
HB PC REFRACTOR 147 190 210W	4058075699373	480 x 250	1.0 kg



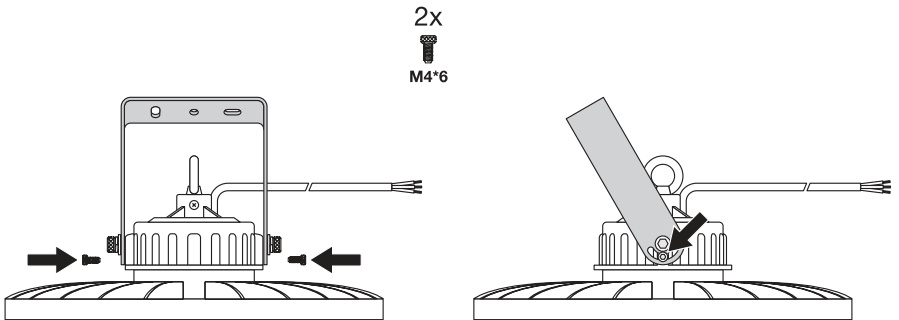
HB Bracket 87W-210W
EAN 4058075695191

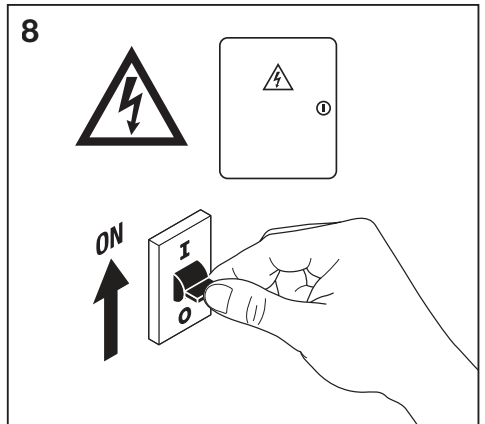
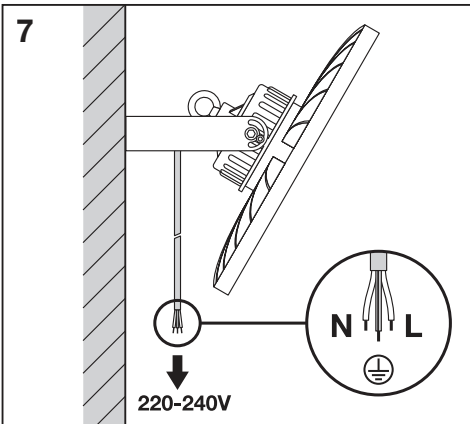
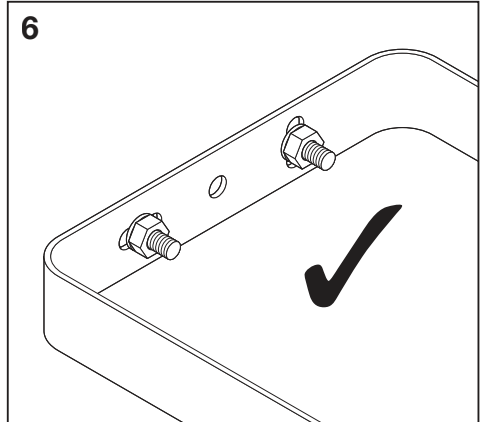
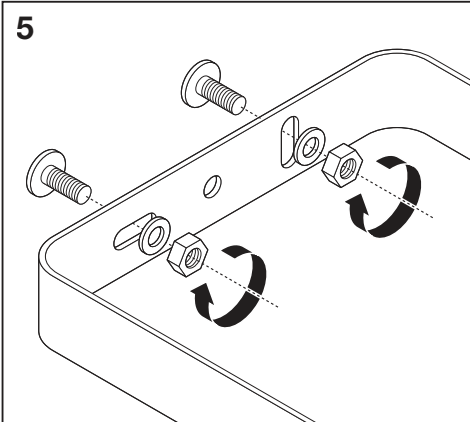
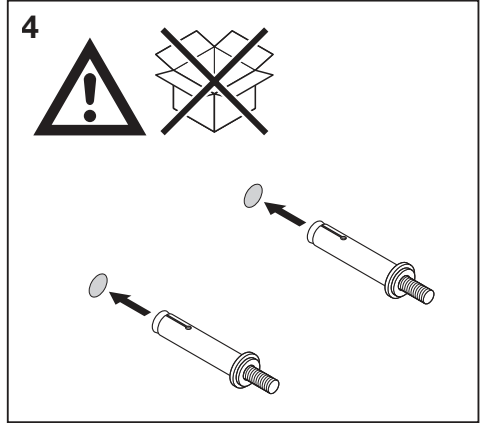
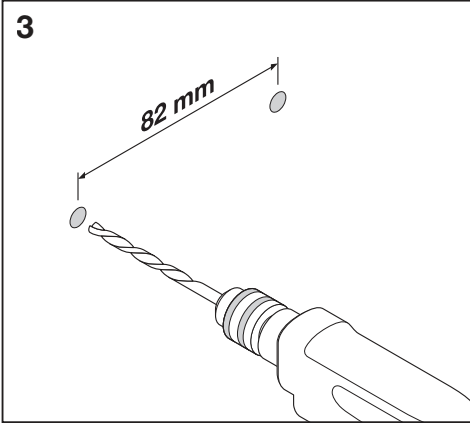


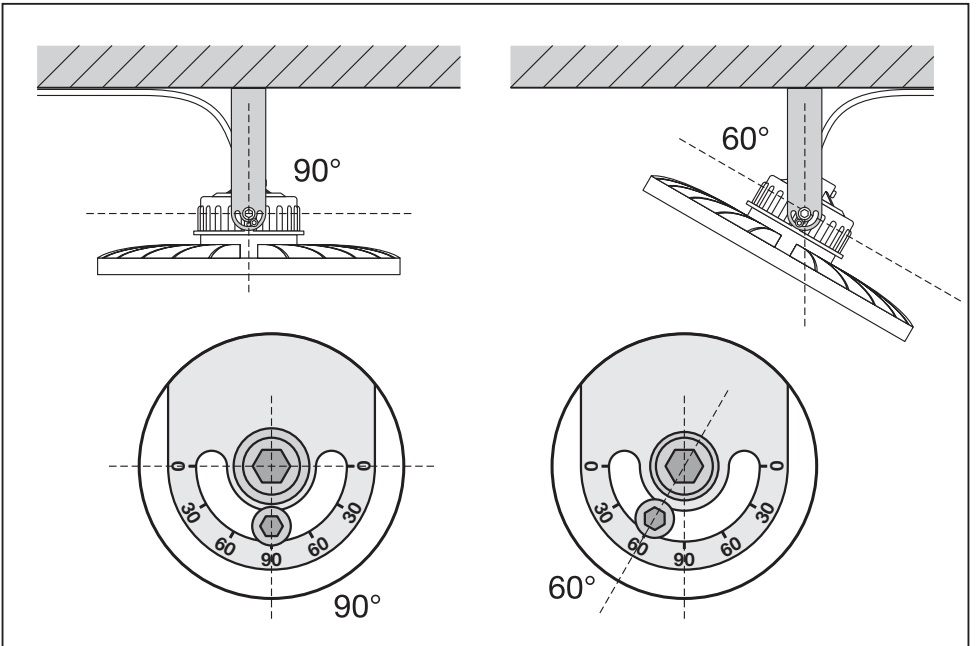
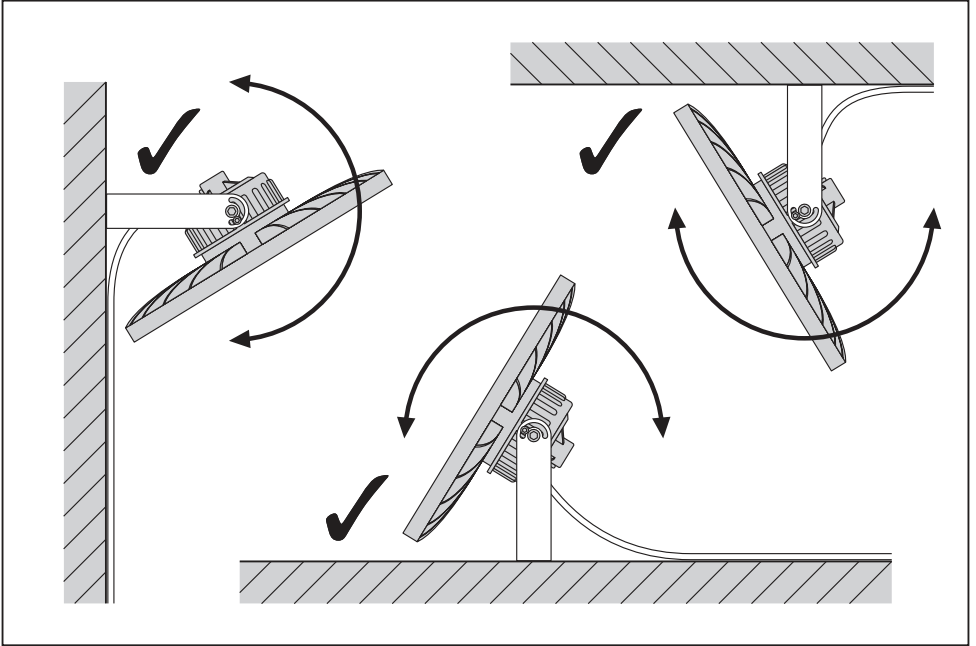
1



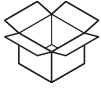
2





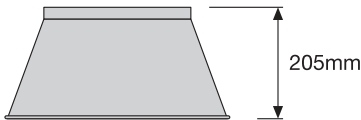
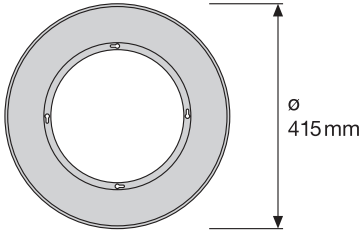
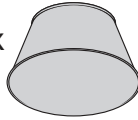


HB ALU REFLECTOR 87W
EAN 4058075699397



4x 
M4*6

1x

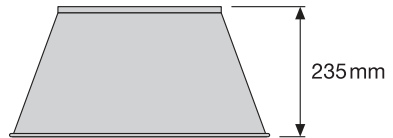
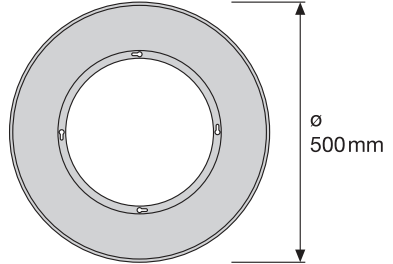
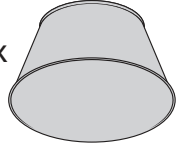


HB ALU REFLECTOR 147W-210W
EAN 4058075699410

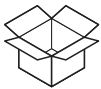


4x 
M4*6

1x

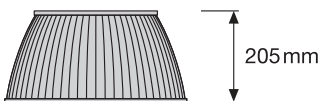
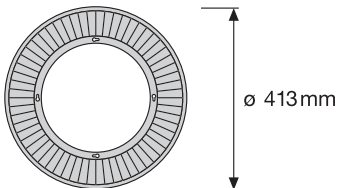
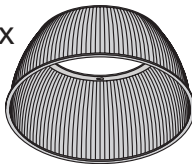


HB PC REFRACTOR 87W
EAN 4058075699359



4x 
M4*8

1x

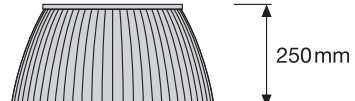
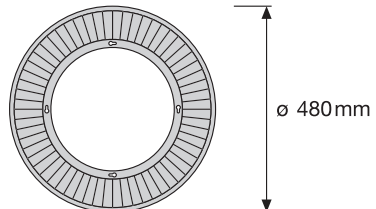
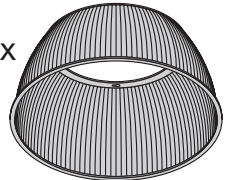


HB PC REFRACTOR 147W-210W
EAN 4058075699373

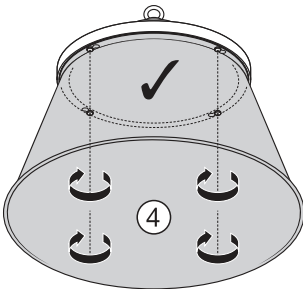
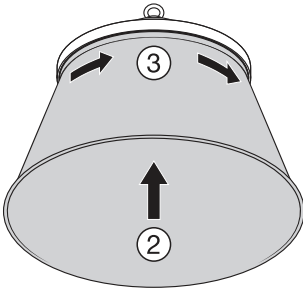
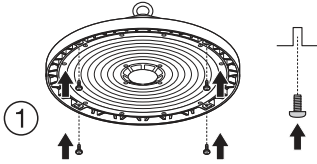
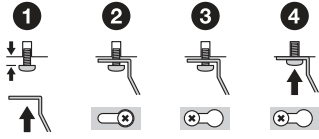


4x 
M4*8

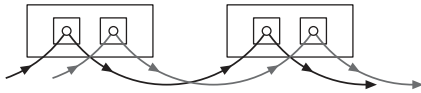
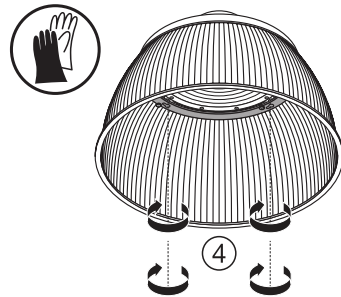
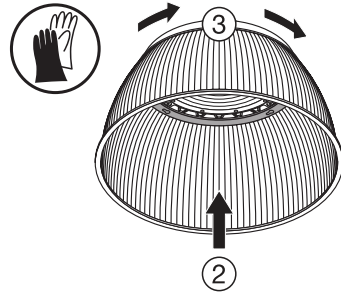
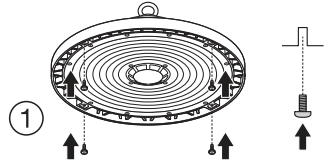
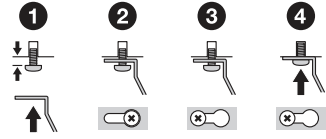
1x



HB ALU REFLECTOR 87W-210W



HB PC REFRACTOR 87W-210W



n	B16A	C10A	C16A
HB P 87W	5	5	9
HB P 147W	3	3	6
HB P 190W	3	3	5
HB P 210W	2	2	4



LEDVANCE GmbH
Steinerne Furt 62
86167 Augsburg, Germany
www.ledvance.com

C10449058
G11144163
01.06.22

© LEDVANCE Ltd, Aquila House
Delta Crescent, Westbrook, Warrington
WA5 7NR, United Kingdom