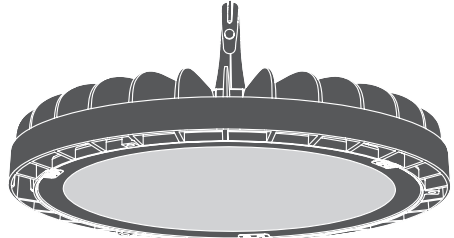
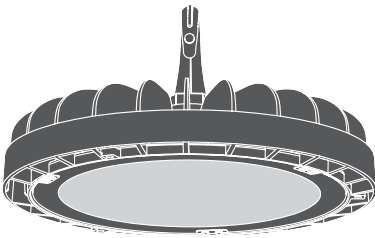
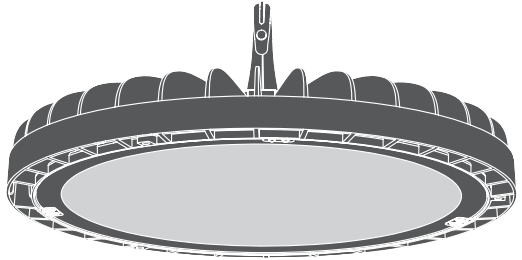
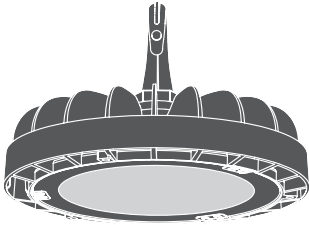
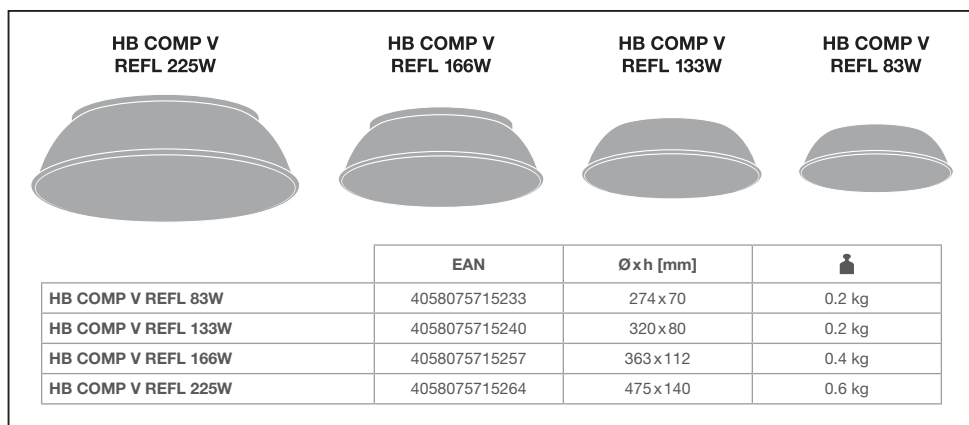
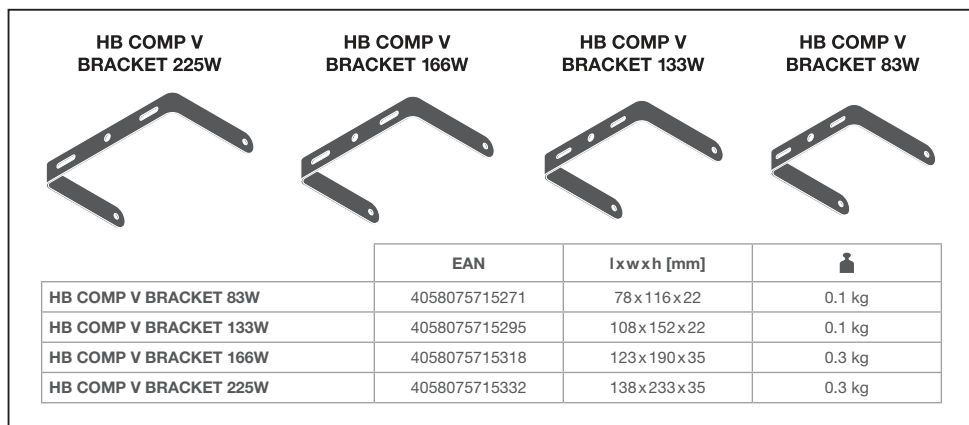
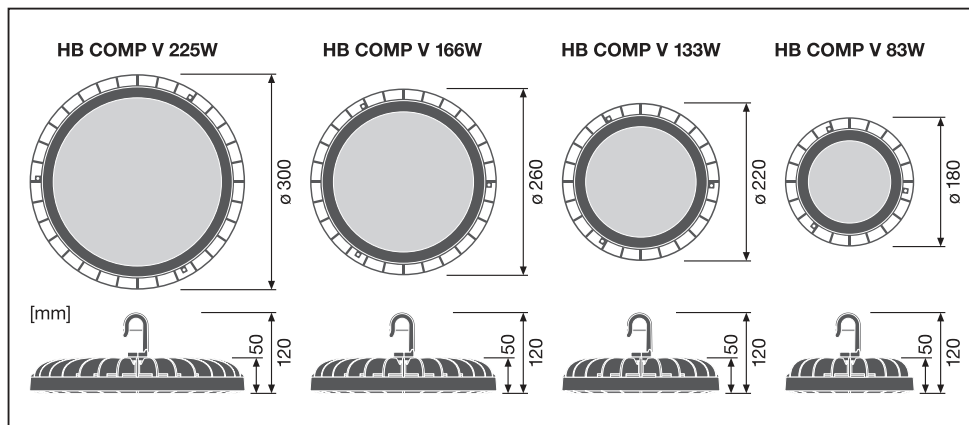


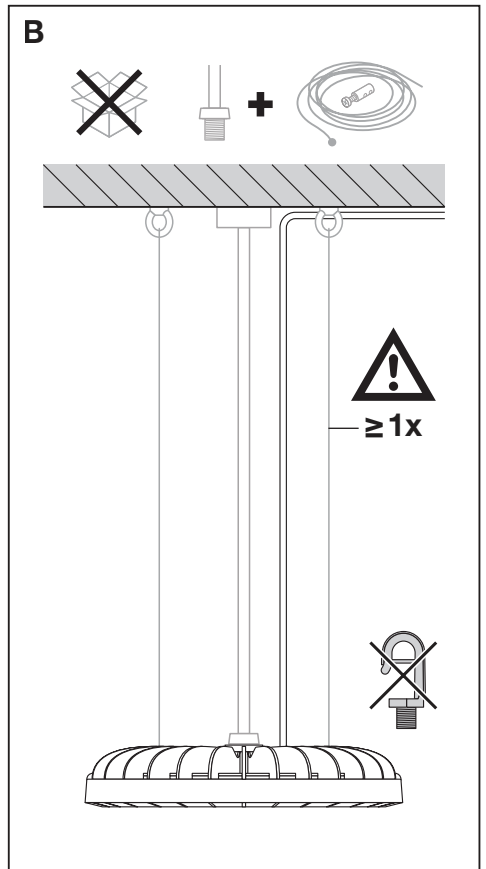
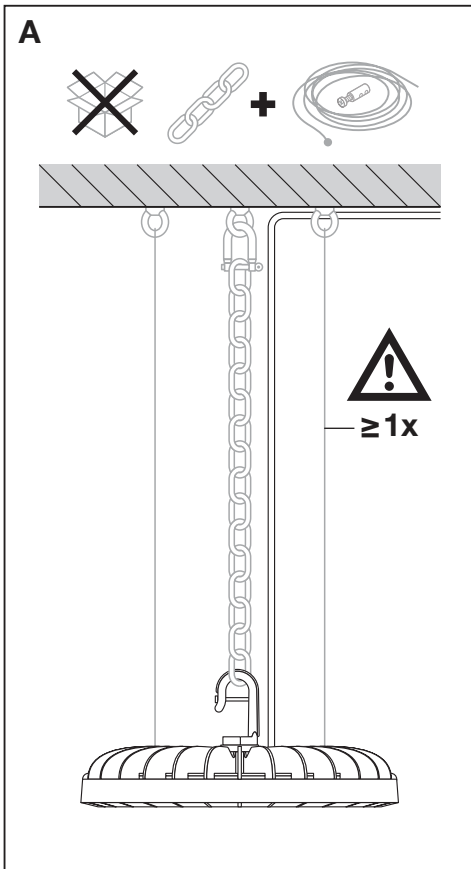
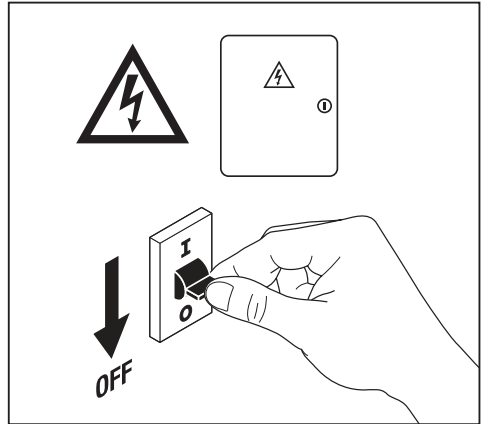
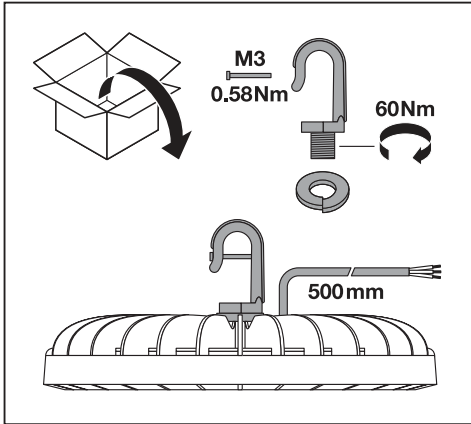
HIGHBAY COMPACT V 110DEG



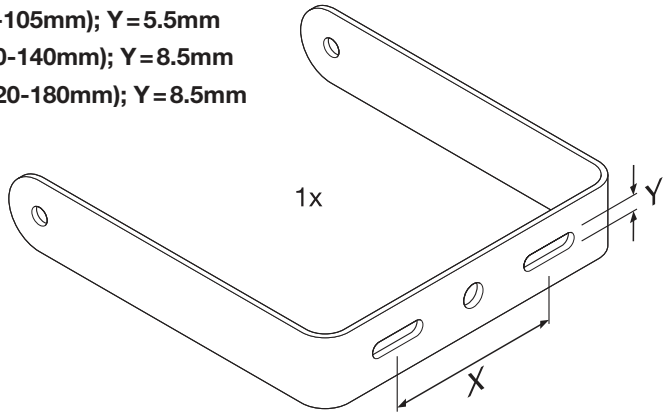
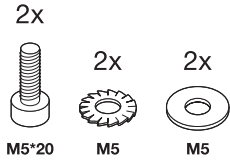
	EAN	Ø x h [mm]	W	V _{AC}	Hz	lm	lm/W	K
HB COMP V 83W 840 110DEG IP65	4058075708174	180x120	83	220-240V	50/60Hz	10000	120	4000
HB COMP V 133W 840 110DEG IP65	4058075708181	220x120	133	220-240V	50/60Hz	16000	120	4000
HB COMP V 166W 840 110DEG IP65	4058075708198	260x120	166	220-240V	50/60Hz	20000	120	4000
HB COMP V 225W 840 110DEG IP65	4058075708204	300x120	225	220-240V	50/60Hz	27000	120	4000
HB COMP V 83W 865 110DEG IP65	4058075708211	180x120	83	220-240V	50/60Hz	10000	120	6500
HB COMP V 133W 865 110DEG IP65	4058075764453	220x120	133	220-240V	50/60Hz	16000	120	6500
HB COMP V 166W 865 110DEG IP65	4058075708228	260x120	166	220-240V	50/60Hz	20000	120	6500
HB COMP V 225W 865 110DEG IP65	4058075775138	300x120	225	220-240V	50/60Hz	27000	120	6500

	EAN	IP	IK	∇	R _a	° (°C)	PF	👤
HB COMP V 83W 840 110DEG IP65	4058075708174	65	06	110°	>80	-20 ... +45	>0.9	0.8 kg
HB COMP V 133W 840 110DEG IP65	4058075708181	65	06	110°	>80	-20 ... +45	>0.9	1.1 kg
HB COMP V 166W 840 110DEG IP65	4058075708198	65	06	110°	>80	-20 ... +45	>0.9	1.5 kg
HB COMP V 225W 840 110DEG IP65	4058075708204	65	06	110°	>80	-20 ... +45	>0.9	2.0 kg
HB COMP V 83W 865 110DEG IP65	4058075708211	65	06	110°	>80	-20 ... +45	>0.9	0.8 kg
HB COMP V 133W 865 110DEG IP65	4058075764453	65	06	110°	>80	-20 ... +45	>0.9	1.1 kg
HB COMP V 166W 865 110DEG IP65	4058075708228	65	06	110°	>80	-20 ... +45	>0.9	1.5 kg
HB COMP V 225W 865 110DEG IP65	4058075775138	65	06	110°	>80	-20 ... +45	>0.9	2.0 kg

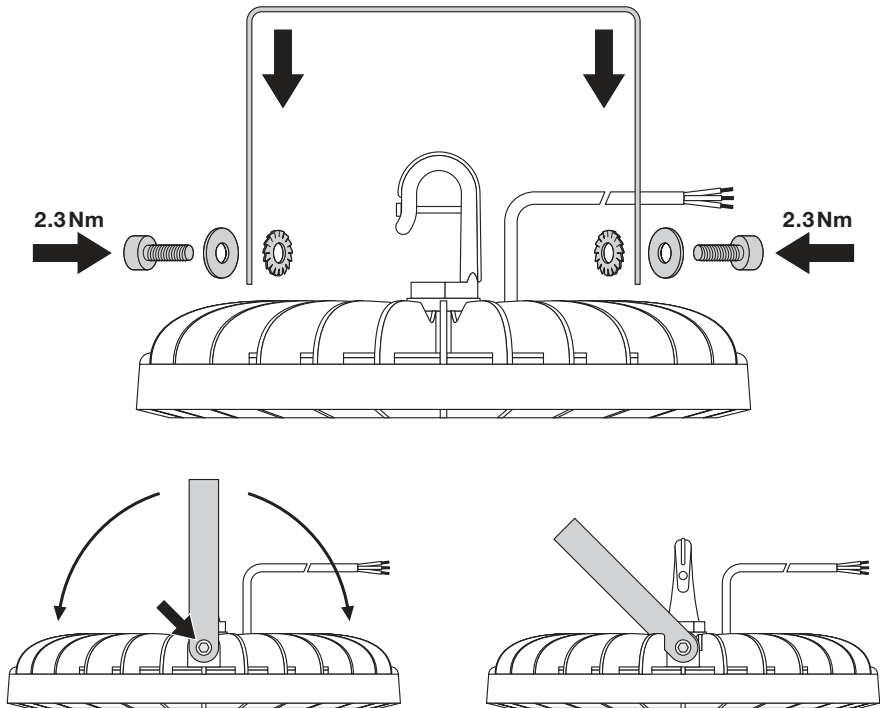


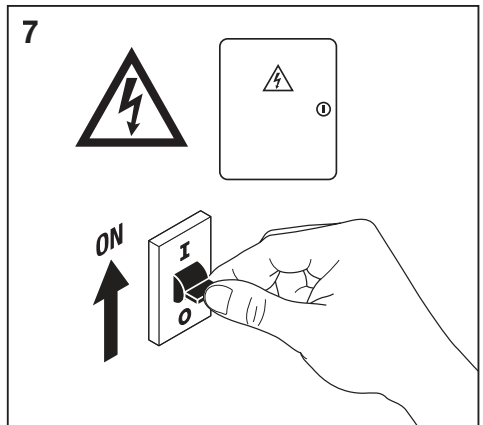
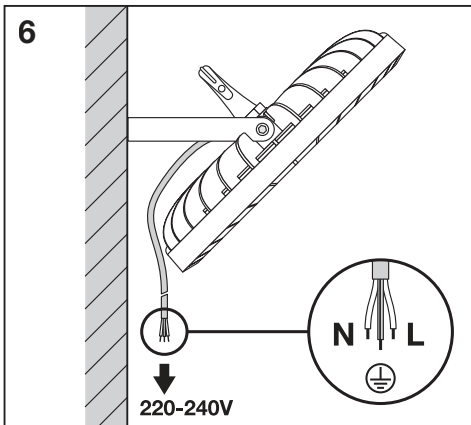
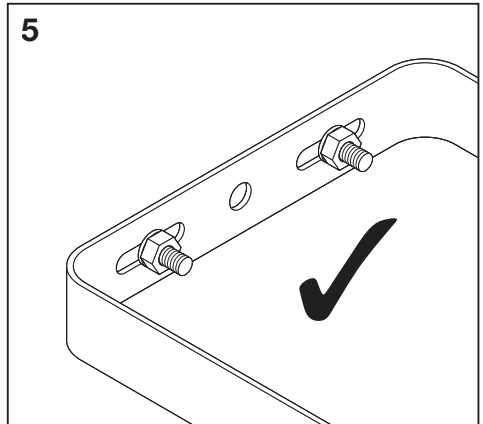
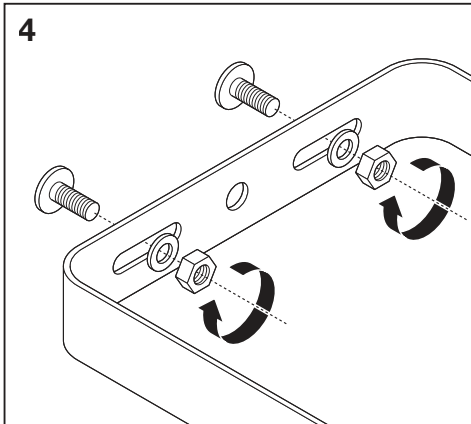
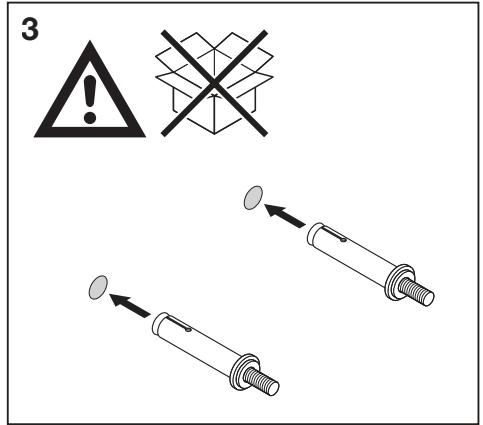
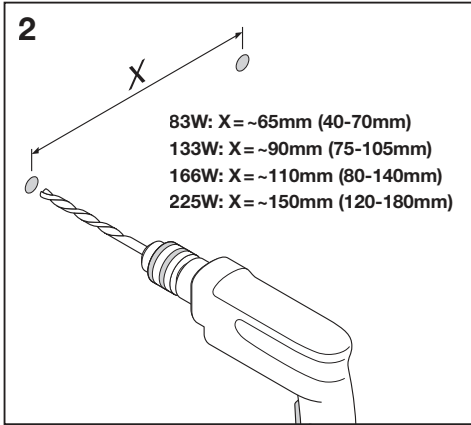


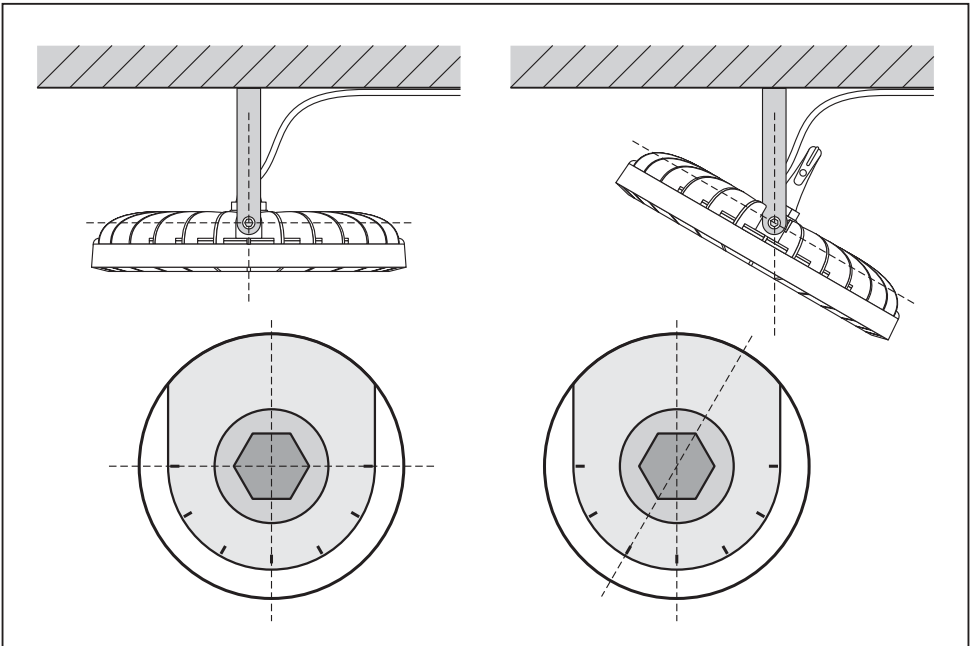
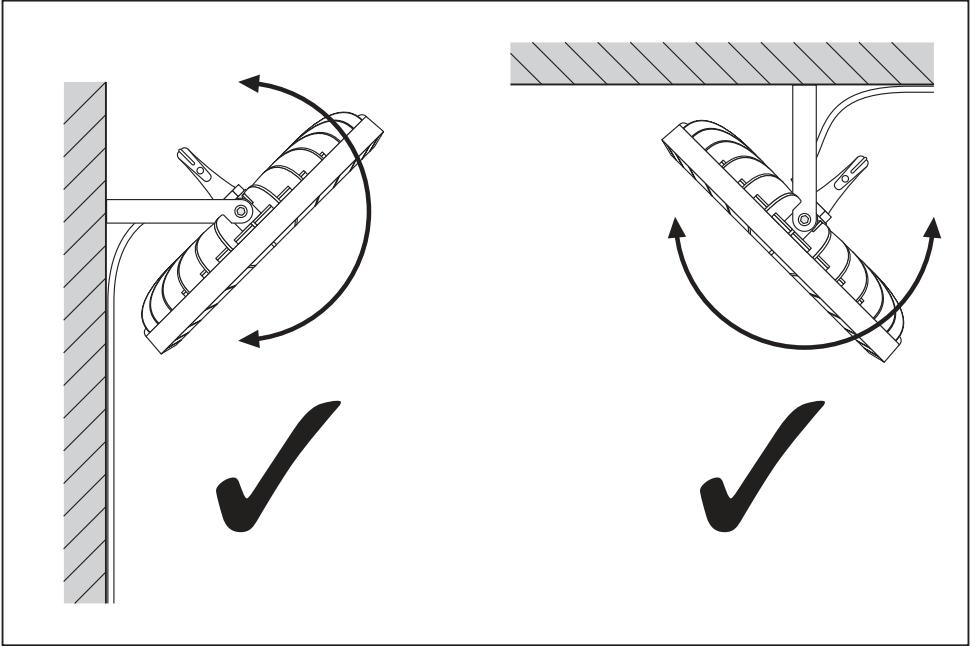
83W: X = ~65mm (40-70mm); Y = 5.5mm
133W: X = ~90mm (75-105mm); Y = 5.5mm
166W: X = ~110mm (80-140mm); Y = 8.5mm
225W: X = ~150mm (120-180mm); Y = 8.5mm



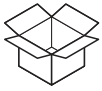
1







HB COMP REFL 83W
EAN 4058075715233



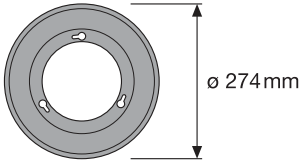
2x



6x



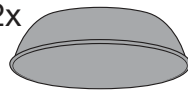
M5*8



HB COMP REFL 133W
EAN 4058075715240



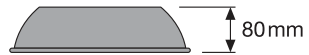
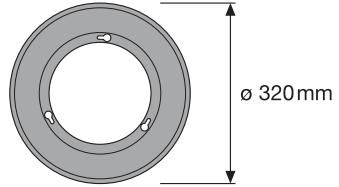
2x



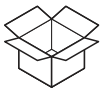
6x



M5*8



HB COMP REFL 166W
EAN 4058075715257



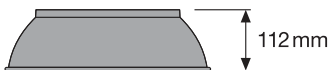
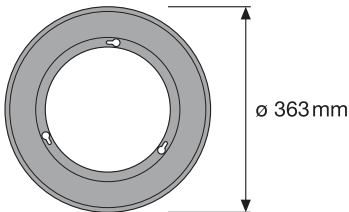
2x



6x



M5*8



HB COMP REFL 225W
EAN 4058075715264



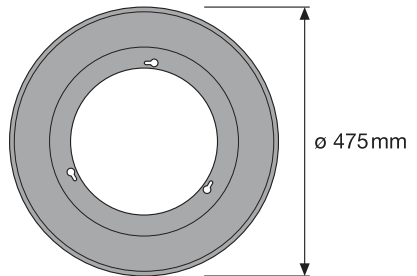
2x

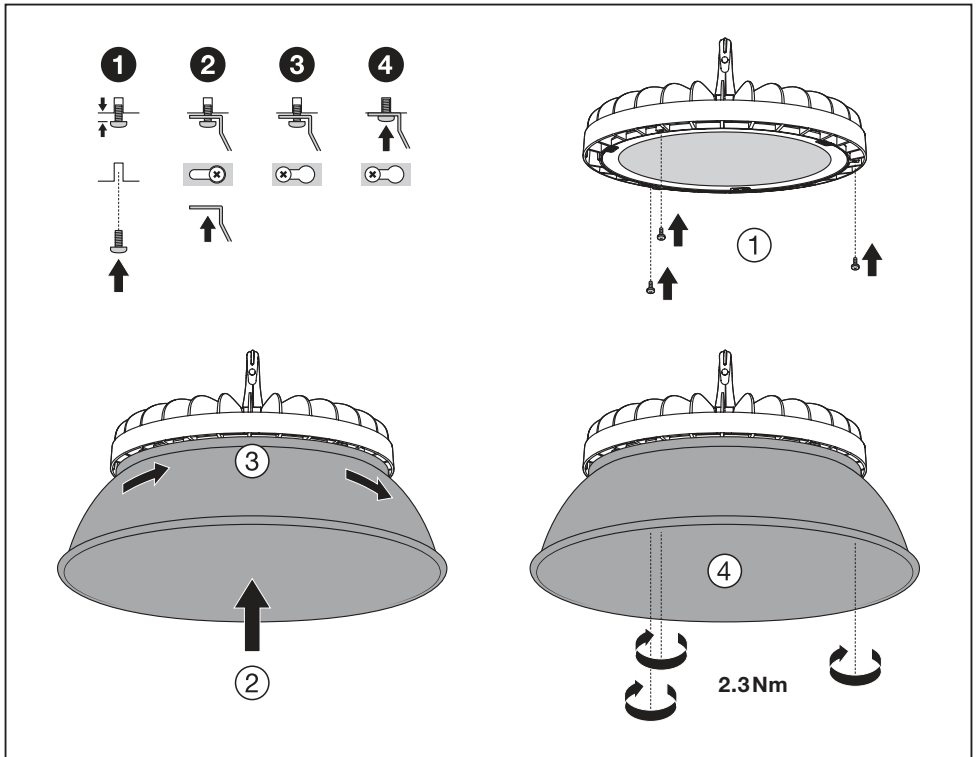


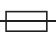
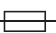
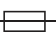
6x



M5*8





	B16A 	C10A 	C16A 
HB COMP V 83W 840 110DEG IP65	35	22	35
HB COMP V 133W 840 110DEG IP65	22	13	22
HB COMP V 166W 840 110DEG IP65	17	11	17
HB COMP V 225W 840 110DEG IP65	13	8	13
HB COMP V 83W 865 110DEG IP65	35	22	35
HB COMP V 133W 865 110DEG IP65	22	13	22
HB COMP V 166W 865 110DEG IP65	17	11	17
HB COMP V 225W 865 110DEG IP65	13	8	13



C10449058
G11144164
01.06.22



LEDVANCE GmbH
Steinerne Furt 62
86167 Augsburg, Germany
www.ledvance.com

© LEDVANCE Ltd, Aquila House
Delta Crescent, Westbrook, Warrington
WA5 7NR, United Kingdom