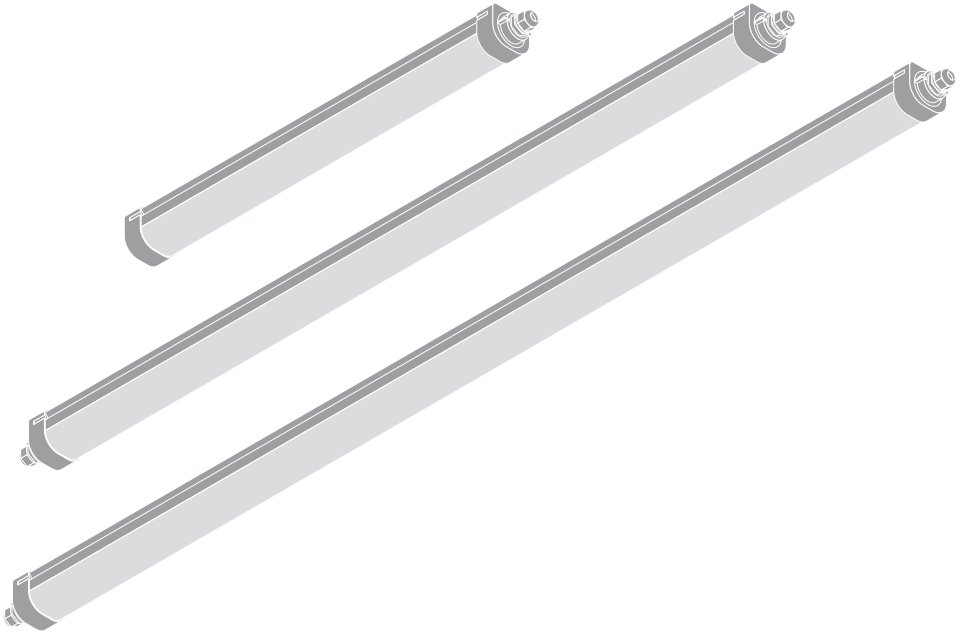
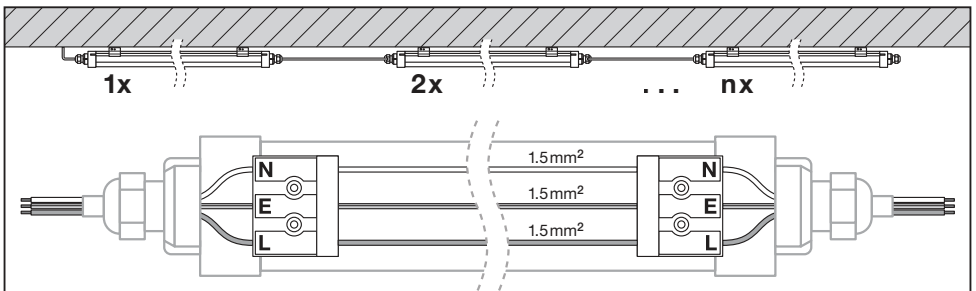
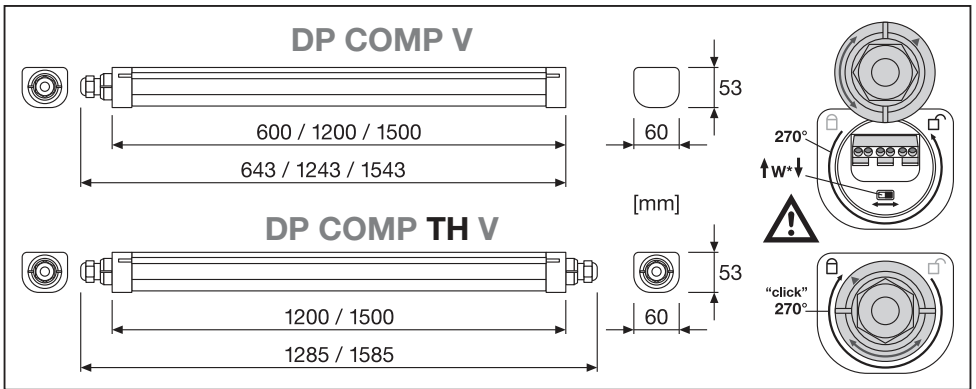
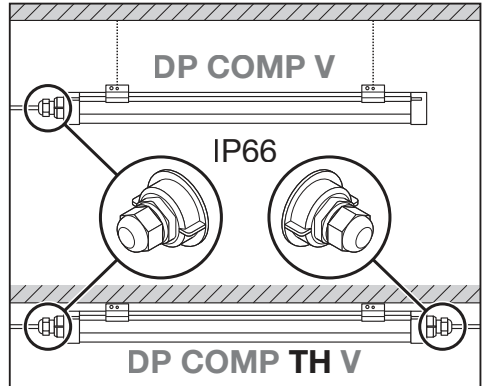
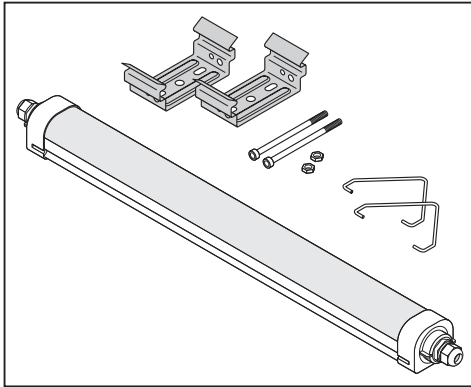


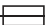

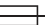

DAMPPROOF COMPACT

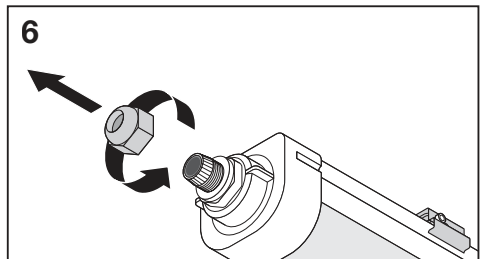
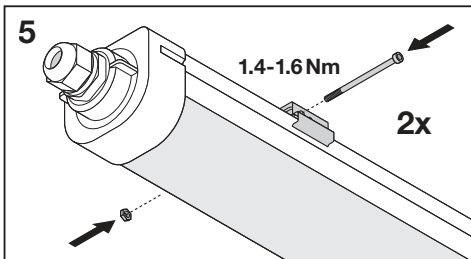
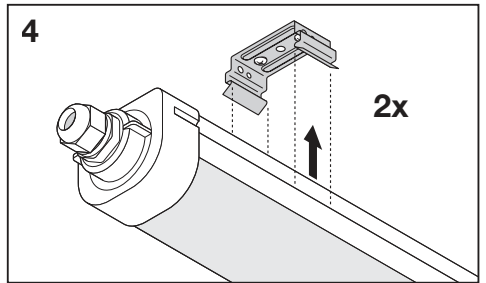
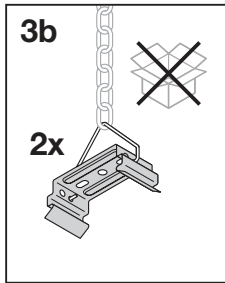
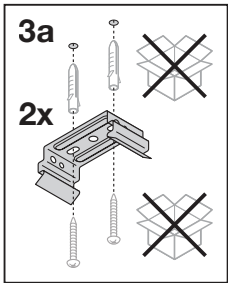
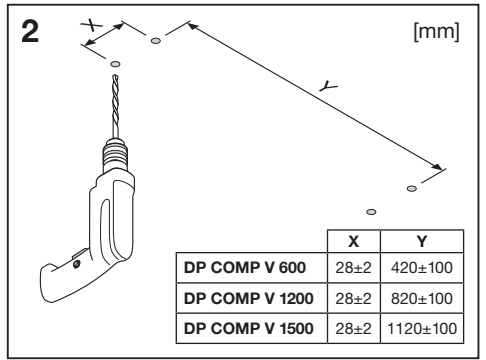
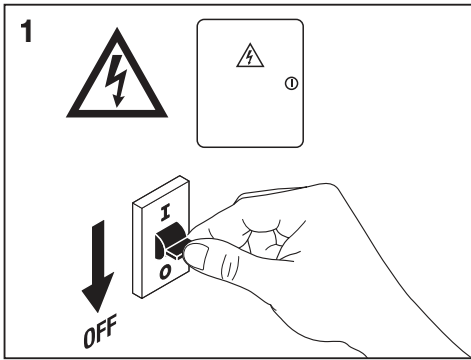
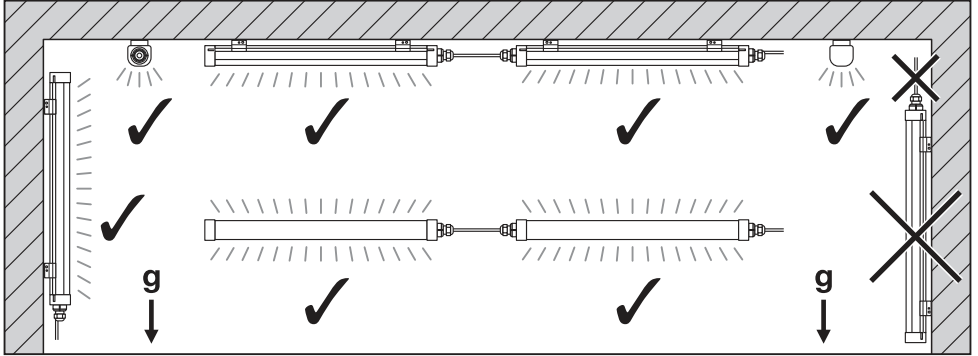


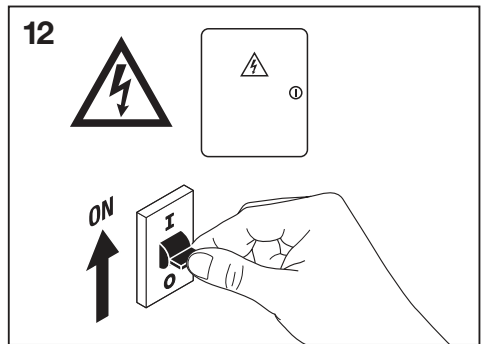
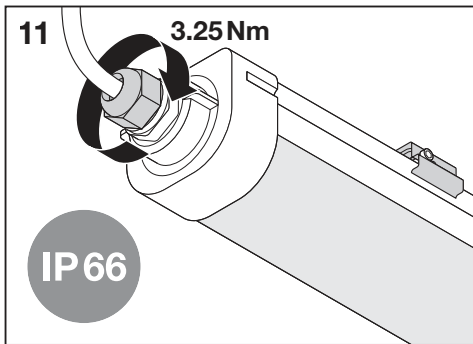
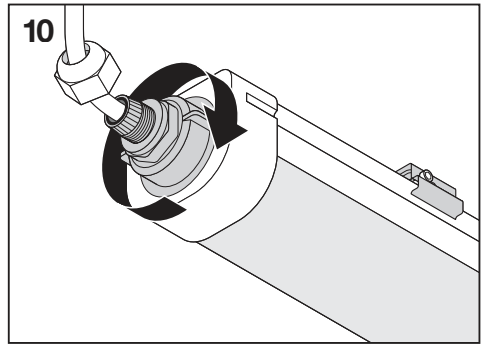
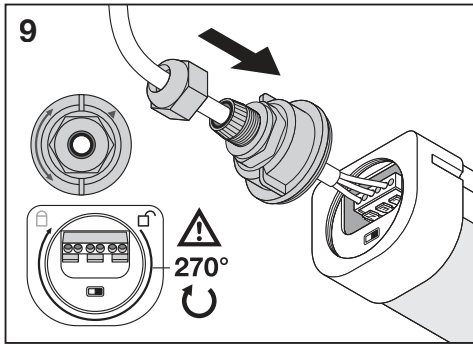
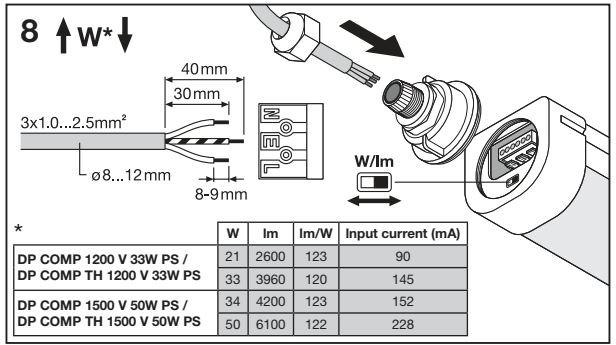
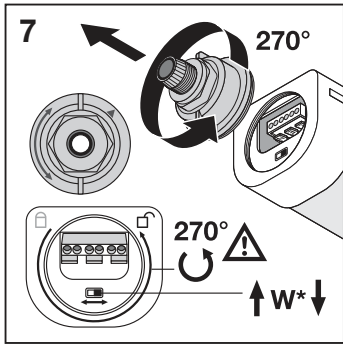
	EAN	l x w x h [mm]	W	V _{AC}	Hz	lm
DP COMP 600 V 16W 840 IP66	4058075740853	643x60x53	16	220-240V	50/60Hz	1920
DP COMP 1200 V 33W 840 IP66 PS	4058075740877	1243x60x53	21/33*	220-240V	50/60Hz	2600/3960*
DP COMP 1500 V 50W 840 IP66 PS	4058075740891	1543x60x53	34/50*	220-240V	50/60Hz	4200/6100*
DP COMP TH 1200 V 33W 840 IP66 PS	4058075740914	1285x60x53	21/33*	220-240V	50/60Hz	2600/3960*
DP COMP TH 1500 V 50W 840 IP66 PS	4058075740938	1585x60x53	34/50*	220-240V	50/60Hz	4200/6100*
DP COMP TH 1200 V 33W 865 IP66 PS	4058075740952	1285x60x53	21/33*	220-240V	50/60Hz	2600/3960*
DP COMP TH 1500 V 50W 865 IP66 PS	4058075740976	1585x60x53	34/50*	220-240V	50/60Hz	4200/6100*
DP COMP TH 1500 V 62W 840 IP66	4058075740990	1585x60x53	62	220-240V	50/60Hz	7500

	EAN	lm/W	K	IP	IK	∇	R _a	Δ (°C)	PF	⚖️
DP COMP 600 V 16W 840 IP66	4058075740853	120	4000K	66	08	120°	> 80	-20...+45	> 0.9	0.4 kg
DP COMP 1200 V 33W 840 IP66 PS	4058075740877	123/120	4000K	66	08	120°	> 80	-20...+45	> 0.9	0.6 kg
DP COMP 1500 V 50W 840 IP66 PS	4058075740891	123/122	4000K	66	08	120°	> 80	-20...+45	> 0.9	0.8 kg
DP COMP TH 1200 V 33W 840 IP66 PS	4058075740914	123/120	4000K	66	08	120°	> 80	-20...+45	> 0.9	0.9 kg
DP COMP TH 1500 V 50W 840 IP66 PS	4058075740938	123/122	4000K	66	08	120°	> 80	-20...+45	> 0.9	1.0 kg
DP COMP TH 1200 V 33W 865 IP66 PS	4058075740952	123/120	6500K	66	08	120°	> 80	-20...+45	> 0.9	0.9 kg
DP COMP TH 1500 V 50W 865 IP66 PS	4058075740976	123/122	6500K	66	08	120°	> 80	-20...+45	> 0.9	1.0 kg
DP COMP TH 1500 V 62W 840 IP66	4058075740990	120	4000K	66	08	120°	> 80	-20...+45	> 0.9	1.0 kg



n	B10 	B16 	C10 	C16 	Nx
DP COMP V 600	68	109	90	145	N/A
DP COMP TH V 1200	31	50	42	67	80
DP COMP TH V 1500 (50W)	20	33	27	44	51
DP COMP TH V 1500 (62W)	16	26	22	35	42





CE UK EAC

22 PAP

LED

LED

230V

FR

Cet appareil se recycle

À DÉPOSER EN MAGASIN

À DÉPOSER EN DÉCHÈTERIE

FR

D

C10449057
G11133891
14.06.22

LEDVANCE GmbH
Steinerne Furt 62
86167 Augsburg, Germany
www.ledvance.com

© LEDVANCE Ltd, Aquila House
Delta Crescent, Westbrook, Warrington
WA5 7NR, United Kingdom