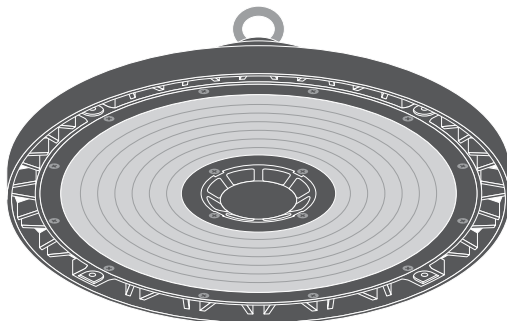
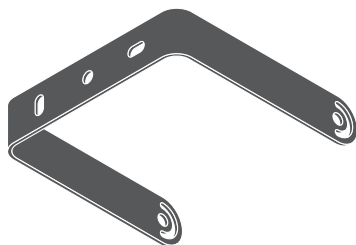


## HIGHBAY Gen4

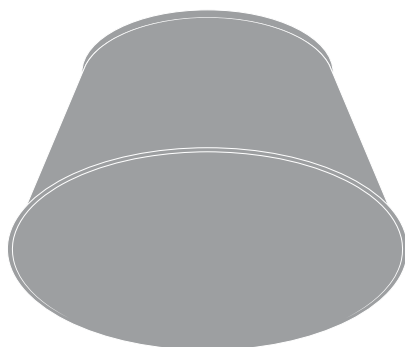


	EAN	Øxh [mm]	W	V <sub>AC</sub>	Hz	lm	lm/W	K
HB P 87W 840 110DEG IP65	4058075692718	280x155	87	220-240V	50/60Hz	13000	150	4000
HB P 87W 840 70DEG IP65	4058075692787	280x155	87	220-240V	50/60Hz	13000	150	4000
HB P 147W 840 110DEG IP65	4058075692794	321x152	147	220-240V	50/60Hz	22000	150	4000
HB P 147W 840 70DEG IP65	4058075692800	321x152	147	220-240V	50/60Hz	22000	150	4000
HB P 190W 840 110DEG IP65	4058075692817	321x156	190	220-240V	50/60Hz	27000	140	4000
HB P 190W 840 70DEG IP65	4058075692824	321x156	190	220-240V	50/60Hz	27000	140	4000
HB P 210W 840 70DEG IP65	4058075692831	321x156	210	220-240V	50/60Hz	30000	140	4000
HB P 87W 865 110DEG IP65	4058075692848	280x155	87	220-240V	50/60Hz	13000	150	6500
HB P 87W 865 70DEG IP65	4058075692855	280x155	87	220-240V	50/60Hz	13000	150	6500
HB P 147W 865 110DEG IP65	4058075692862	321x152	147	220-240V	50/60Hz	22000	150	6500
HB P 147W 865 70DEG IP65	4058075764248	321x152	147	220-240V	50/60Hz	22000	150	6500
HB P 190W 865 110DEG IP65	4058075764255	321x156	190	220-240V	50/60Hz	27000	140	6500
HB P 190W 865 70DEG IP65	4058075692879	321x156	190	220-240V	50/60Hz	27000	140	6500
HB P 210W 865 70DEG IP65	4058075692886	321x156	210	220-240V	50/60Hz	30000	140	6500

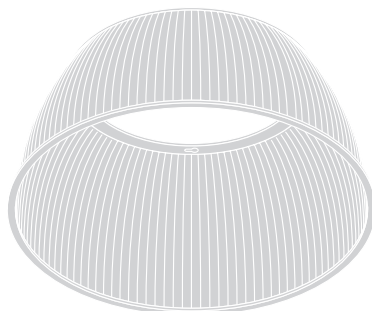
	EAN	IP	IK	▽	R <sub>a</sub>	⌈(°C)	PF	👤
HB P 87W 840 110DEG IP65	4058075692718	65	08	110°	≥80	-30 ... +50	≥0.95	2.3 kg
HB P 87W 840 70DEG IP65	4058075692787	65	08	70°	≥80	-30 ... +50	≥0.95	2.3 kg
HB P 147W 840 110DEG IP65	4058075692794	65	08	110°	≥80	-30 ... +50	≥0.95	2.6 kg
HB P 147W 840 70DEG IP65	4058075692800	65	08	70°	≥80	-30 ... +50	≥0.95	2.6 kg
HB P 190W 840 110DEG IP65	4058075692817	65	08	110°	≥80	-30 ... +50	≥0.95	2.8 kg
HB P 190W 840 70DEG IP65	4058075692824	65	08	70°	≥80	-30 ... +50	≥0.95	2.8 kg
HB P 210W 840 70DEG IP65	4058075692831	65	08	70°	≥80	-30 ... +50	≥0.95	2.8 kg
HB P 87W 865 110DEG IP65	4058075692848	65	08	110°	≥80	-30 ... +50	≥0.95	2.3 kg
HB P 87W 865 70DEG IP65	4058075692855	65	08	70°	≥80	-30 ... +50	≥0.95	2.3 kg
HB P 147W 865 110DEG IP65	4058075692862	65	08	110°	≥80	-30 ... +50	≥0.95	2.6 kg
HB P 147W 865 70DEG IP65	4058075764248	65	08	70°	≥80	-30 ... +50	≥0.95	2.6 kg
HB P 190W 865 110DEG IP65	4058075764255	65	08	110°	≥80	-30 ... +50	≥0.95	2.8 kg
HB P 190W 865 70DEG IP65	4058075692879	65	08	70°	≥80	-30 ... +50	≥0.95	2.8 kg
HB P 210W 865 70DEG IP65	4058075692886	65	08	70°	≥80	-30 ... +50	≥0.95	2.8 kg



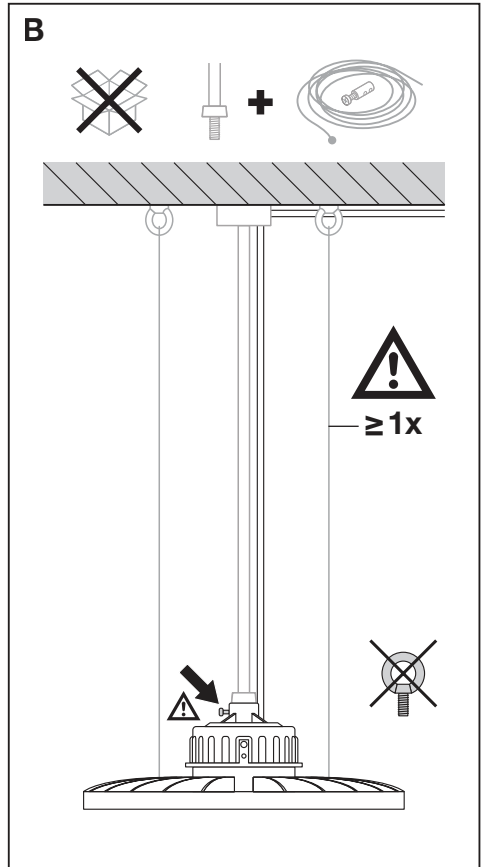
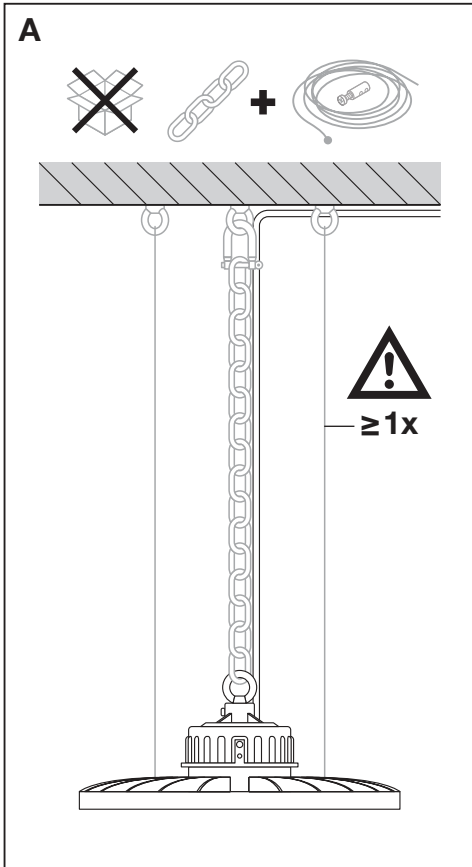
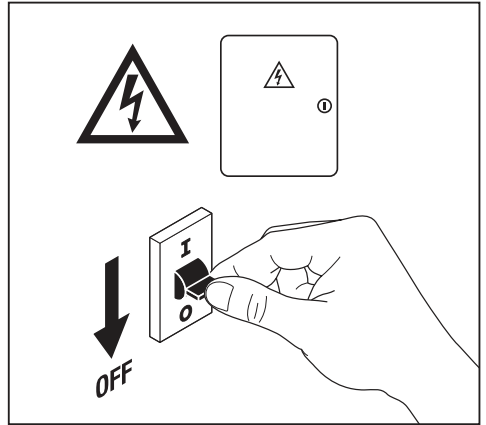
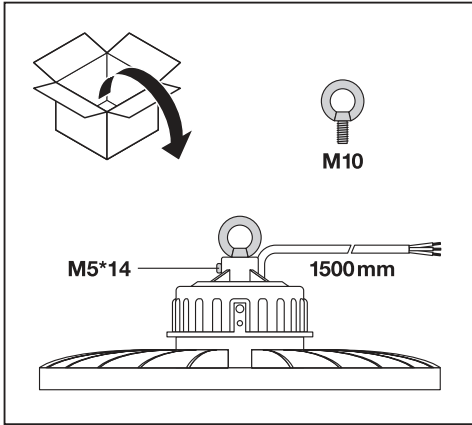
	<b>EAN</b>	<b>l x w x h [mm]</b>	<b>👤</b>
<b>HB BRACKET 87 147 190 210W</b>	4058075695191	138 x 35 x 150	0.3 kg



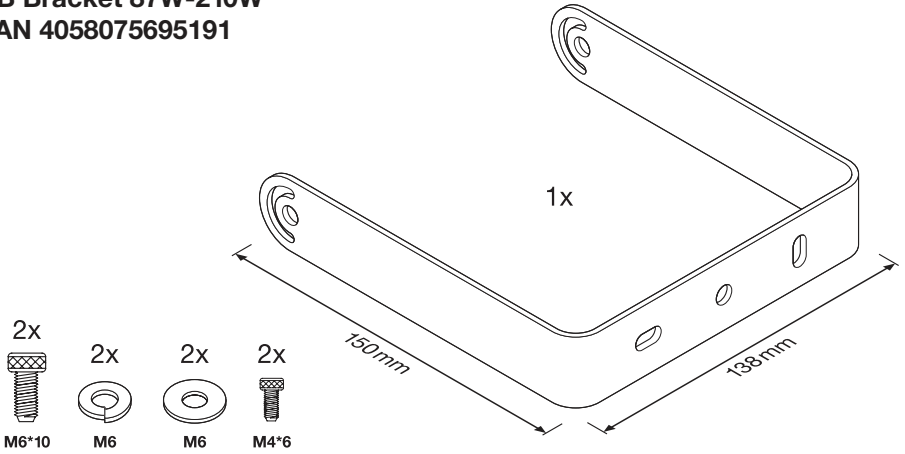
	<b>EAN</b>	<b>Ø x h [mm]</b>	<b>👤</b>
<b>HB ALU REFLECTOR 87W</b>	4058075699397	415 x 205	0.3 kg
<b>HB ALU REFLECTOR 147 190 210W</b>	4058075699410	500 x 235	0.5 kg



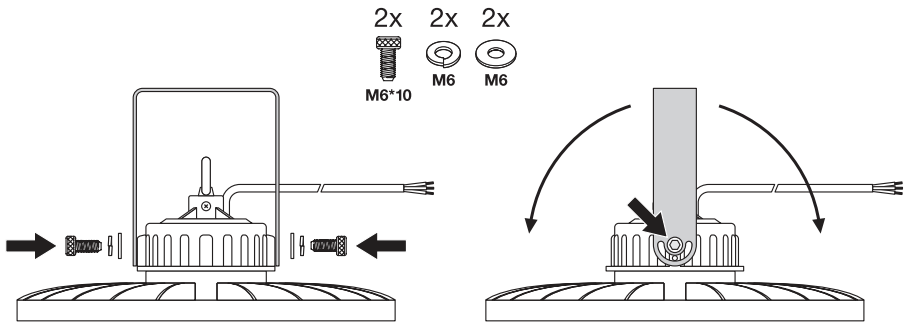
	<b>EAN</b>	<b>Ø x h [mm]</b>	<b>👤</b>
<b>HB PC REFRACTOR 87W</b>	4058075699359	413 x 205	0.7 kg
<b>HB PC REFRACTOR 147 190 210W</b>	4058075699373	480 x 250	1.0 kg



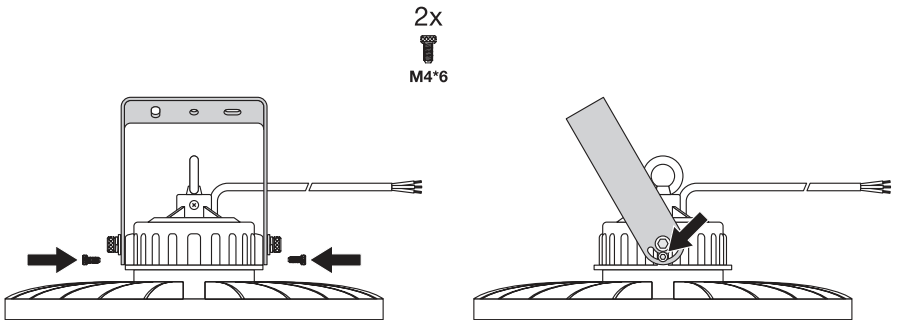
**HB Bracket 87W-210W**  
**EAN 4058075695191**

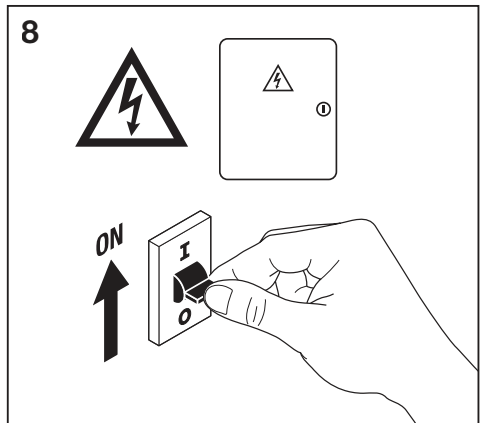
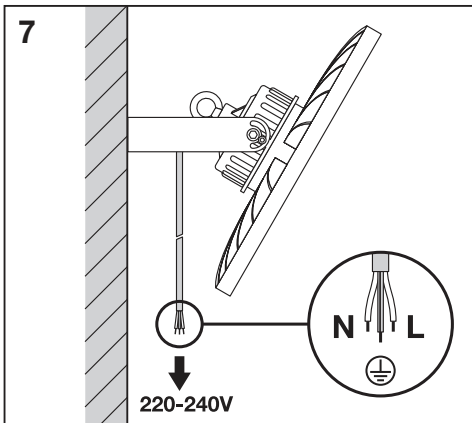
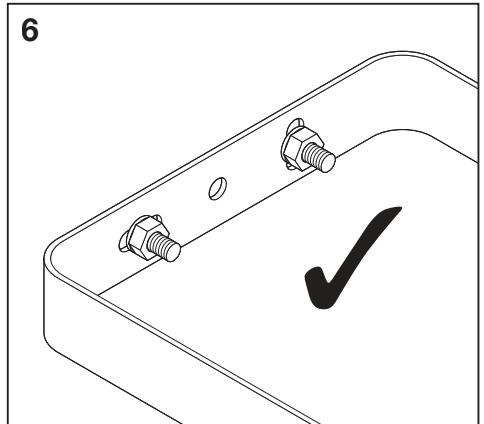
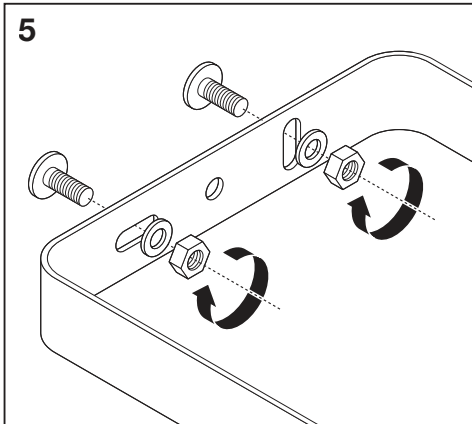
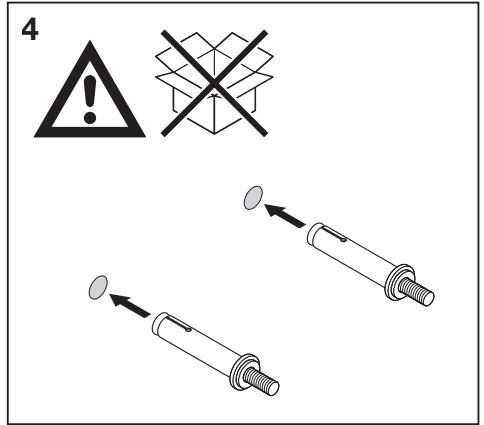
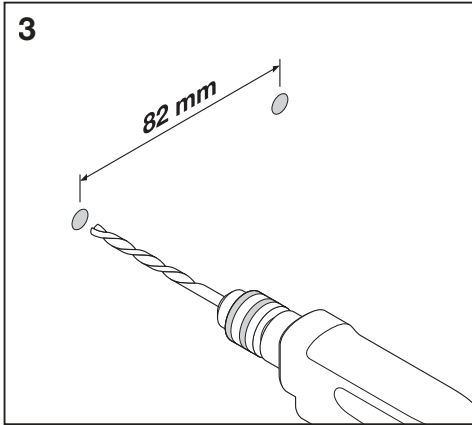


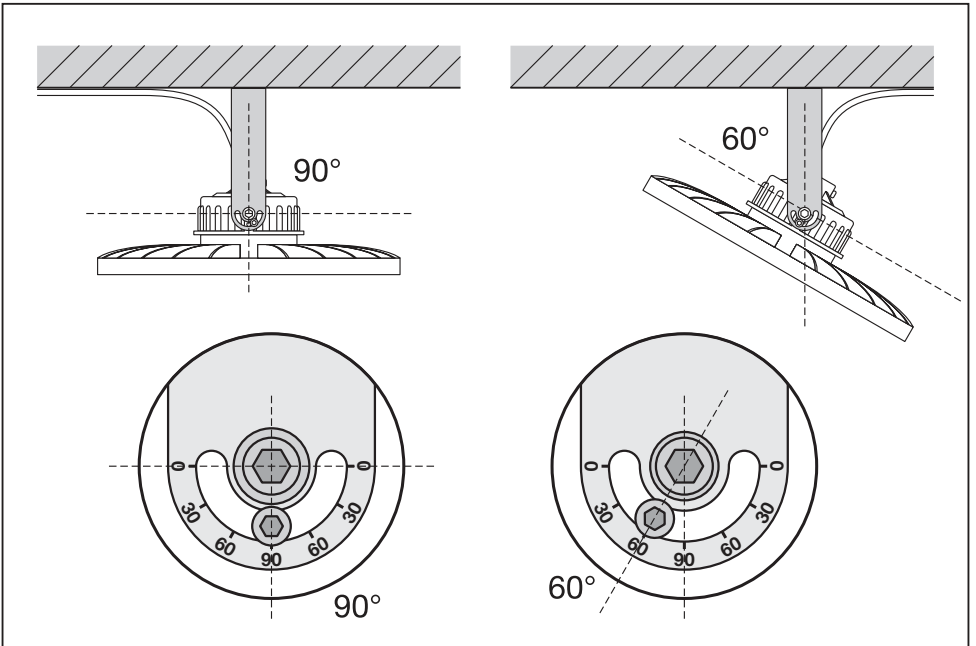
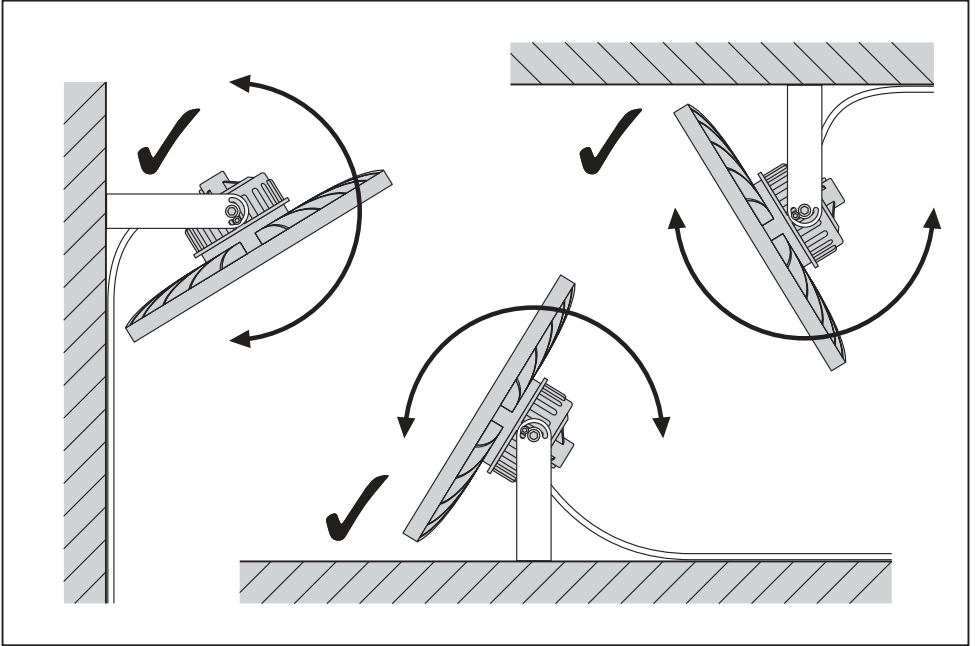
**1**



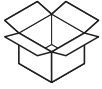
**2**





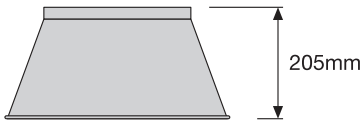
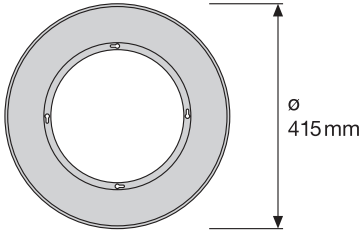
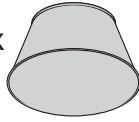


**HB ALU REFLECTOR 87W**  
**EAN 4058075699397**



4x   
 M4\*6

1x

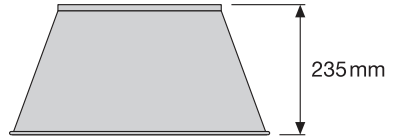
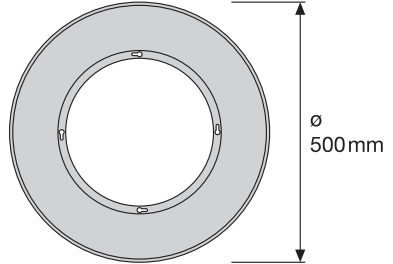
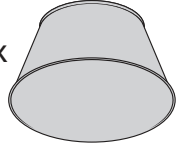


**HB ALU REFLECTOR 147W-210W**  
**EAN 4058075699410**

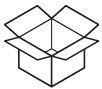


4x   
 M4\*6

1x

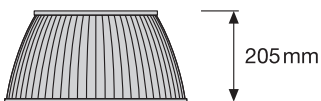
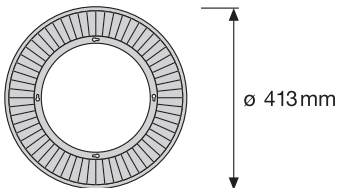
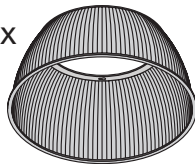


**HB PC REFRACTOR 87W**  
**EAN 4058075699359**



4x   
 M4\*8

1x

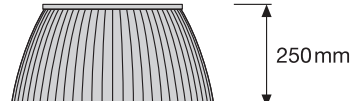
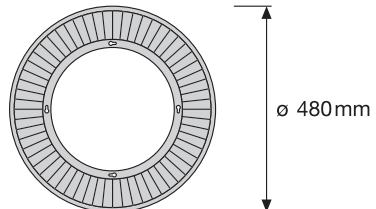
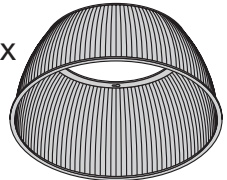


**HB PC REFRACTOR 147W-210W**  
**EAN 4058075699373**

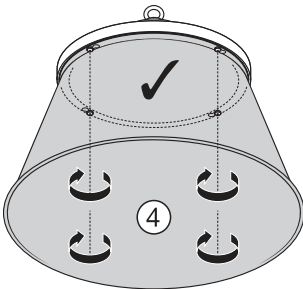
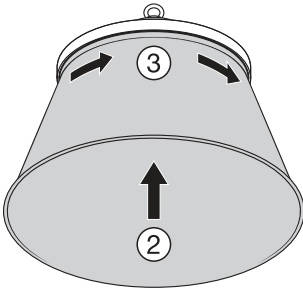
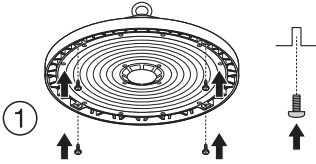
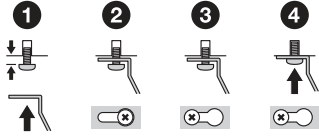


4x   
 M4\*8

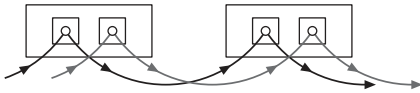
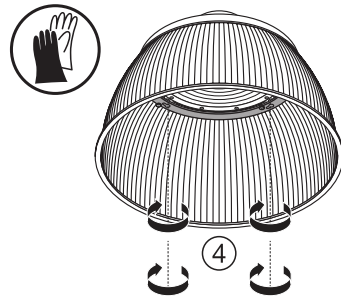
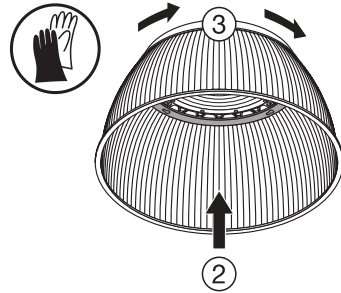
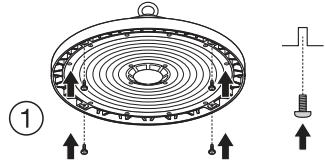
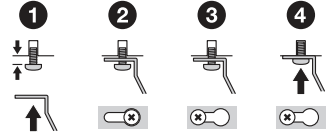
1x



## HB ALU REFLECTOR 87W-210W



## HB PC REFRACTOR 87W-210W



n	B16A	C10A	C16A
HB P 87W	5	5	9
HB P 147W	3	3	6
HB P 190W	3	3	5
HB P 210W	2	2	4



LEDVANCE GmbH  
Steinerne Furt 62  
86167 Augsburg, Germany  
[www.ledvance.com](http://www.ledvance.com)

C10449058  
G11144163  
01.06.22

© LEDVANCE Ltd, Aquila House  
Delta Crescent, Westbrook, Warrington  
WA5 7NR, United Kingdom