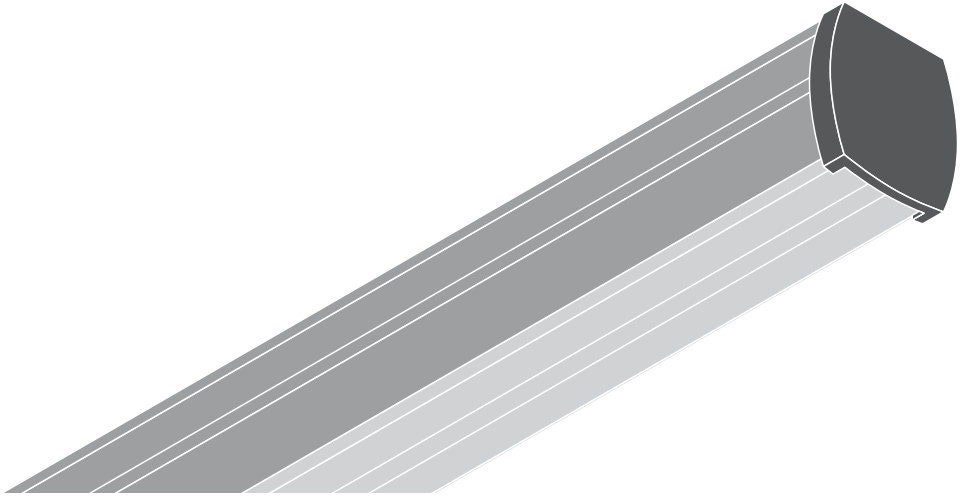
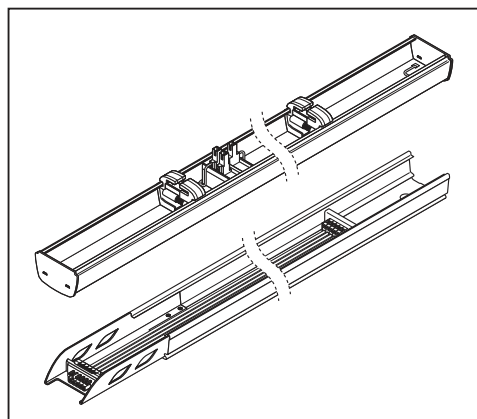

TruSys® FLEX TRUNKING SYSTEM ON/OFF

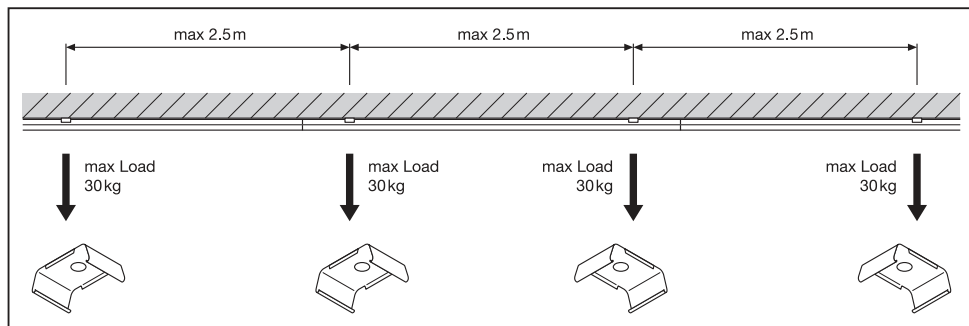
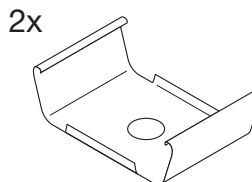


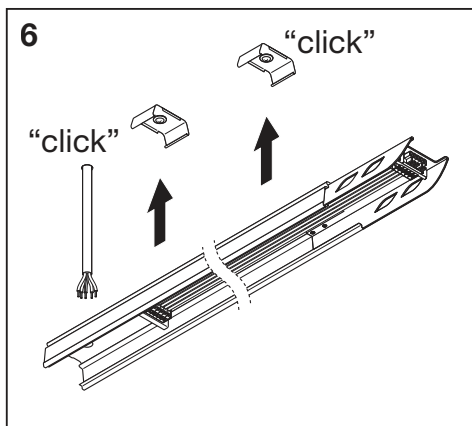
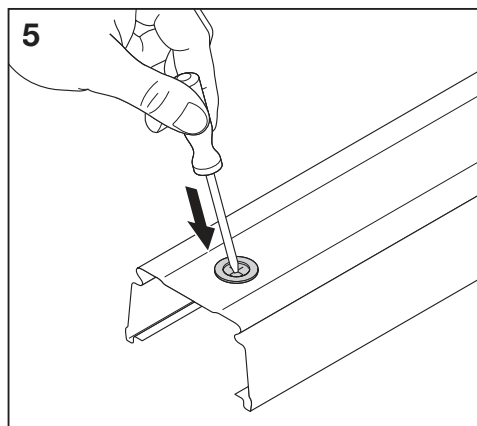
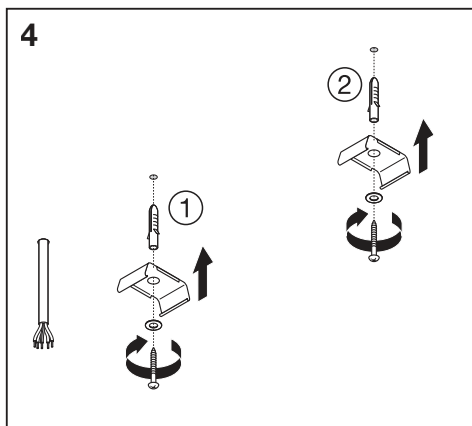
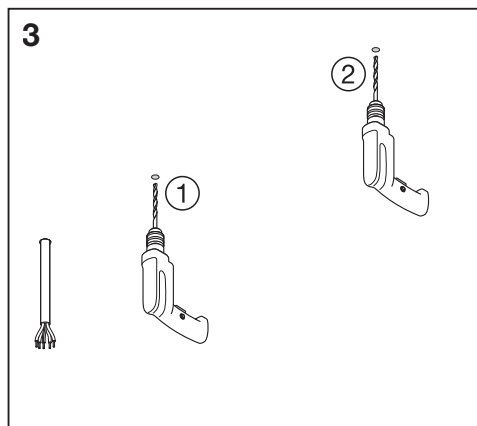
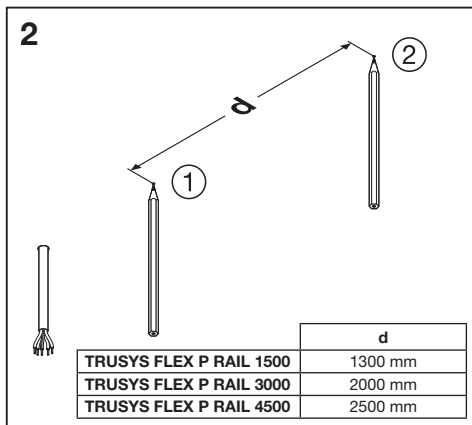
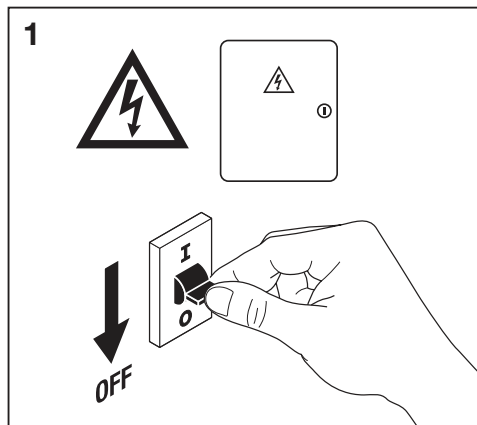
| | EAN | l x w x h [mm] | W | VAC | Hz | lm | lm/W |
|-----------------------------------|---------------|-------------------|----|----------|---------|-------|------|
| TRUSYS FLEX P 35W 840 VW CL WT | 4058075771017 | 1500x77.7x39.4 | 35 | 220-240V | 50/60Hz | 6000 | 175 |
| TRUSYS FLEX P 35W 840 W CL WT | 4058075771093 | 1500x77.7x39.4 | 35 | 220-240V | 50/60Hz | 6000 | 175 |
| TRUSYS FLEX P 35W 840 N CL WT | 4058075771307 | 1500x77.7x39.4 | 35 | 220-240V | 50/60Hz | 6000 | 175 |
| TRUSYS FLEX P 35W 840 VN CL WT | 4058075771345 | 1500x77.7x39.4 | 35 | 220-240V | 50/60Hz | 6000 | 175 |
| TRUSYS FLEX P 35W 840 DS CL WT | 4058075771383 | 1500x77.7x39.4 | 35 | 220-240V | 50/60Hz | 6000 | 175 |
| TRUSYS FLEX P 35W 840 W OP WT | 4058075771406 | 1500x77.7x39.4 | 35 | 220-240V | 50/60Hz | 5800 | 167 |
| TRUSYS FLEX P 50W 840 VW CL WT | 4058075771444 | 1500x77.7x39.4 | 50 | 220-240V | 50/60Hz | 8600 | 175 |
| TRUSYS FLEX P 50W 840 W CL WT | 4058075771482 | 1500x77.7x39.4 | 50 | 220-240V | 50/60Hz | 8600 | 175 |
| TRUSYS FLEX P 50W 840 N CL WT | 4058075771574 | 1500x77.7x39.4 | 50 | 220-240V | 50/60Hz | 8600 | 175 |
| TRUSYS FLEX P 50W 840 VN CL WT | 4058075771604 | 1500x77.7x39.4 | 50 | 220-240V | 50/60Hz | 8600 | 175 |
| TRUSYS FLEX P 50W 840 DS CL WT | 4058075771802 | 1500x77.7x39.4 | 50 | 220-240V | 50/60Hz | 8600 | 175 |
| TRUSYS FLEX P 50W 840 W OP WT | 4058075771826 | 1500x77.7x39.4 | 50 | 220-240V | 50/60Hz | 8300 | 167 |
| TRUSYS FLEX P 70W 840 VW CL WT | 4058075771840 | 1500x77.7x39.4 | 70 | 220-240V | 50/60Hz | 12100 | 175 |
| TRUSYS FLEX P 70W 840 W CL WT | 4058075771864 | 1500x77.7x39.4 | 70 | 220-240V | 50/60Hz | 12100 | 175 |
| TRUSYS FLEX P 70W 840 N CL WT | 4058075771888 | 1500x77.7x39.4 | 70 | 220-240V | 50/60Hz | 12100 | 175 |
| TRUSYS FLEX P 70W 840 VN CL WT | 4058075771925 | 1500x77.7x39.4 | 70 | 220-240V | 50/60Hz | 12100 | 175 |
| TRUSYS FLEX P 70W 840 DS CL WT | 4058075771994 | 1500x77.7x39.4 | 70 | 220-240V | 50/60Hz | 12100 | 175 |
| TRUSYS FLEX P 70W 840 W OP WT | 4058075772090 | 1500x77.7x39.4 | 70 | 220-240V | 50/60Hz | 11700 | 167 |
| TRUSYS FLEX P RAIL 1500 5P WT | 4058075781672 | 1650x70.2x38.8 | - | - | - | - | - |
| TRUSYS FLEX P RAIL 1500 5P END WT | 4058075781733 | 1500x70.2x38.8 | - | - | - | - | - |
| TRUSYS FLEX P RAIL 3000 5P WT | 4058075781757 | 3150x70.2x38.8 | - | - | - | - | - |
| TRUSYS FLEX P RAIL 4500 5P WT | 4058075793156 | 4650x70.2x38.8 | - | - | - | - | - |

| | EAN | K | IP | IK | ∇ | R _a | °(°C) | PF | ⦿ | 👤 |
|-----------------------------------|---------------|------|----|----|---------|----------------|-----------|-------|---|--------|
| TRUSYS FLEX P 35W 840 VW CL WT | 4058075771017 | 4000 | 40 | 04 | 120° | ≥80 | -20...+40 | ≥0.95 | - | 1.7 kg |
| TRUSYS FLEX P 35W 840 W CL WT | 4058075771093 | 4000 | 40 | 04 | 90° | ≥80 | -20...+40 | ≥0.95 | - | 1.7 kg |
| TRUSYS FLEX P 35W 840 N CL WT | 4058075771307 | 4000 | 40 | 04 | 60° | ≥80 | -20...+40 | ≥0.95 | - | 1.7 kg |
| TRUSYS FLEX P 35W 840 VN CL WT | 4058075771345 | 4000 | 40 | 04 | 30° | ≥80 | -20...+40 | ≥0.95 | - | 1.7 kg |
| TRUSYS FLEX P 35W 840 DS CL WT | 4058075771383 | 4000 | 40 | 04 | 2 x 30° | ≥80 | -25...+40 | ≥0.95 | - | 1.7 kg |
| TRUSYS FLEX P 35W 840 W OP WT | 4058075771406 | 4000 | 40 | 04 | 90° | ≥80 | -20...+40 | ≥0.95 | - | 1.7 kg |
| TRUSYS FLEX P 50W 840 VW CL WT | 4058075771444 | 4000 | 40 | 04 | 120° | ≥80 | -20...+40 | ≥0.95 | - | 1.7 kg |
| TRUSYS FLEX P 50W 840 W CL WT | 4058075771482 | 4000 | 40 | 04 | 90° | ≥80 | -20...+40 | ≥0.95 | - | 1.7 kg |
| TRUSYS FLEX P 50W 840 N CL WT | 4058075771574 | 4000 | 40 | 04 | 60° | ≥80 | -20...+40 | ≥0.95 | - | 1.7 kg |
| TRUSYS FLEX P 50W 840 VN CL WT | 4058075771604 | 4000 | 40 | 04 | 30° | ≥80 | -20...+40 | ≥0.95 | - | 1.7 kg |
| TRUSYS FLEX P 50W 840 DS CL WT | 4058075771802 | 4000 | 40 | 04 | 2 x 30° | ≥80 | -20...+40 | ≥0.95 | - | 1.7 kg |
| TRUSYS FLEX P 50W 840 W OP WT | 4058075771826 | 4000 | 40 | 04 | 90° | ≥80 | -20...+40 | ≥0.95 | - | 1.7 kg |
| TRUSYS FLEX P 70W 840 VW CL WT | 4058075771840 | 4000 | 40 | 04 | 120° | ≥80 | -20...+40 | ≥0.95 | - | 1.7 kg |
| TRUSYS FLEX P 70W 840 W CL WT | 4058075771864 | 4000 | 40 | 04 | 90° | ≥80 | -20...+40 | ≥0.95 | - | 1.7 kg |
| TRUSYS FLEX P 70W 840 N CL WT | 4058075771888 | 4000 | 40 | 04 | 60° | ≥80 | -20...+40 | ≥0.95 | - | 1.7 kg |
| TRUSYS FLEX P 70W 840 VN CL WT | 4058075771925 | 4000 | 40 | 04 | 30° | ≥80 | -20...+40 | ≥0.95 | - | 1.7 kg |
| TRUSYS FLEX P 70W 840 DS CL WT | 4058075771994 | 4000 | 40 | 04 | 2 x 30° | ≥80 | -20...+40 | ≥0.95 | - | 1.7 kg |
| TRUSYS FLEX P 70W 840 W OP WT | 4058075772090 | 4000 | 40 | 04 | 90° | ≥80 | -20...+40 | ≥0.95 | - | 1.7 kg |
| TRUSYS FLEX P RAIL 1500 5P WT | 4058075781672 | - | - | 04 | - | - | - | - | - | 1.6 kg |
| TRUSYS FLEX P RAIL 1500 5P END WT | 4058075781733 | - | - | 04 | - | - | - | - | - | 1.4 kg |
| TRUSYS FLEX P RAIL 3000 5P WT | 4058075781757 | - | - | 04 | - | - | - | - | - | 3.0 kg |
| TRUSYS FLEX P RAIL 4500 5P WT | 4058075793156 | - | - | 04 | - | - | - | - | - | 4.2 kg |

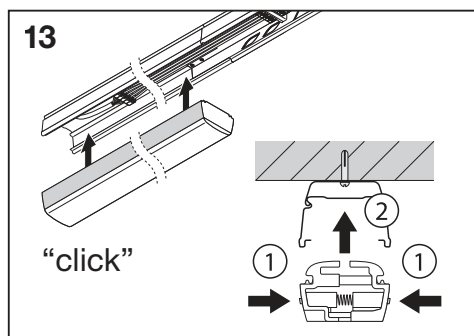
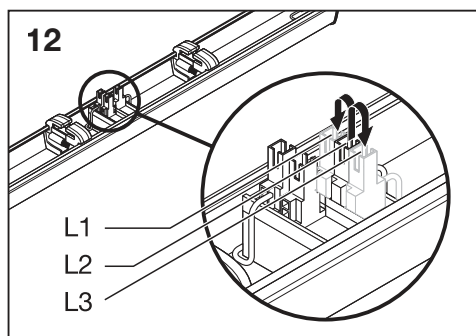
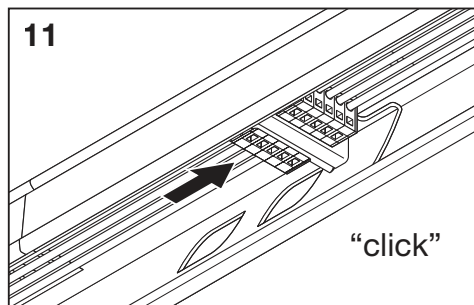
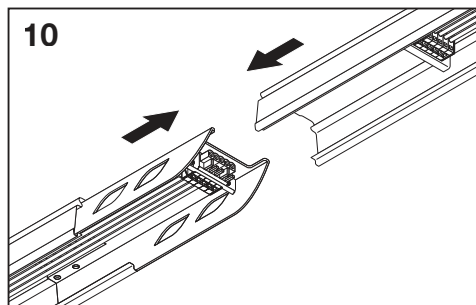
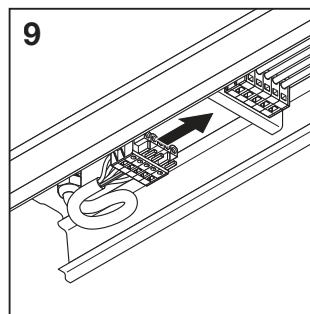
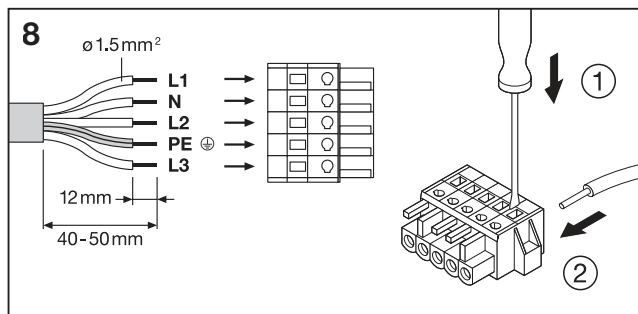
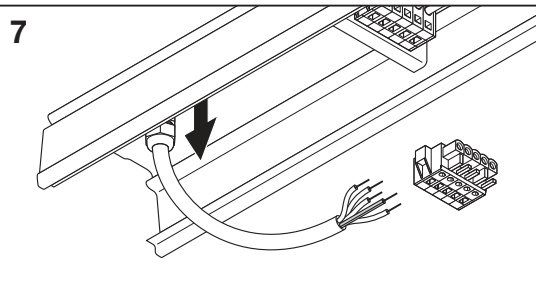
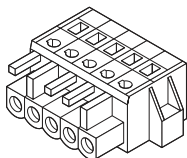


**TRUSYS FLEX
SURFACE CLIP**
EAN 4058075781894

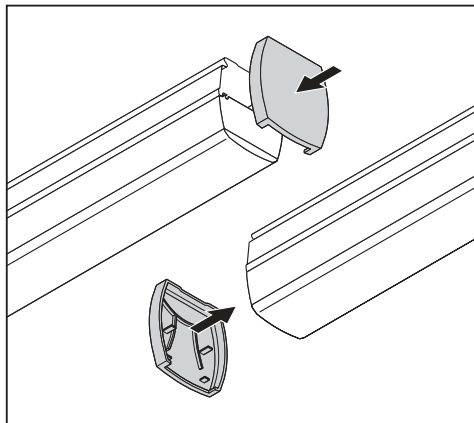
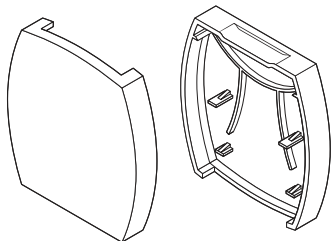




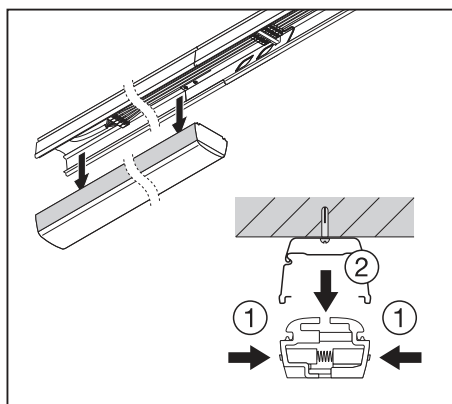
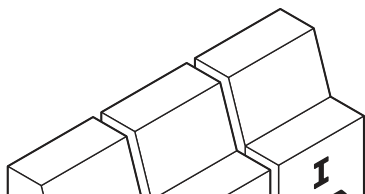
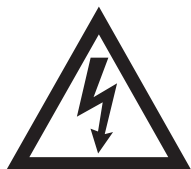
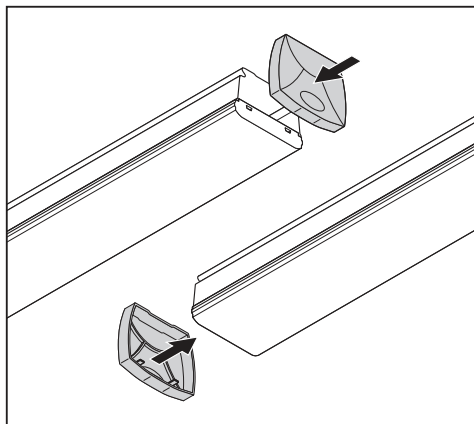
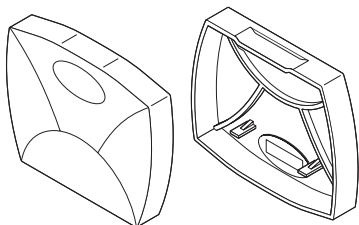
TRUSYS FLEX FEED IN 5P
EAN 4058075781931



TRUSYS FLEX
END CAP RAIL WT
EAN 4058075781856

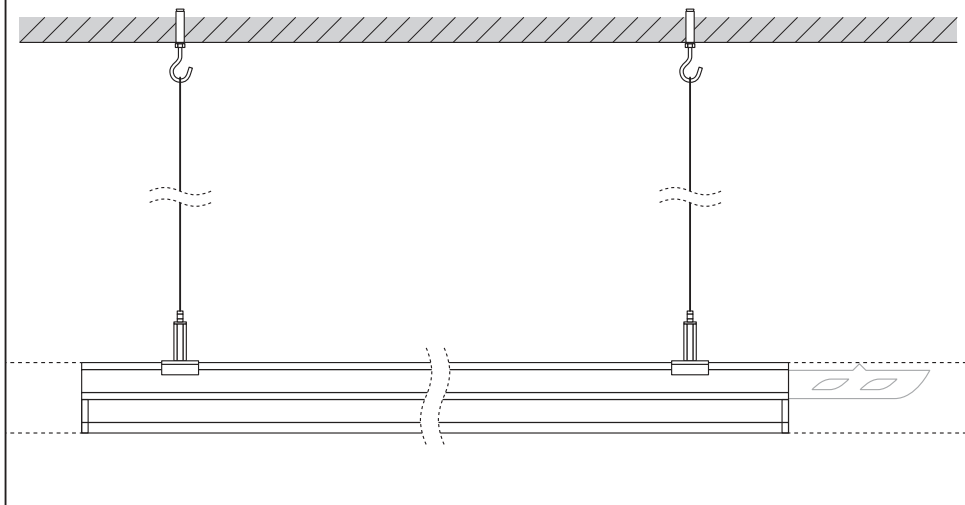
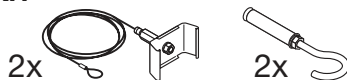


TRUSYS FLEX
END CAP LOW RAIL WT
EAN 4058075781870



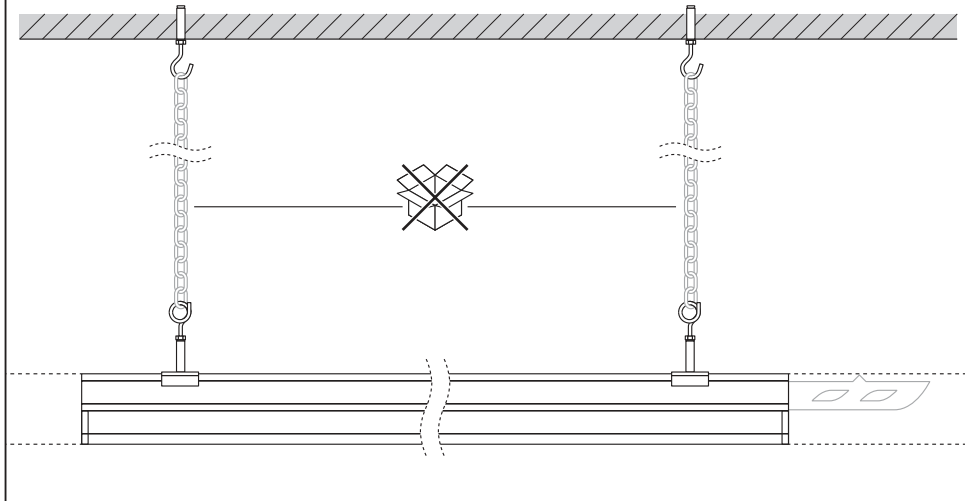
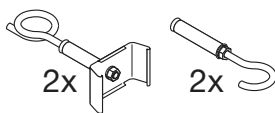
TRUSYS FLEX SUSPENSION KIT

EAN 4058075781795



TRUSYS FLEX CHAIN KIT

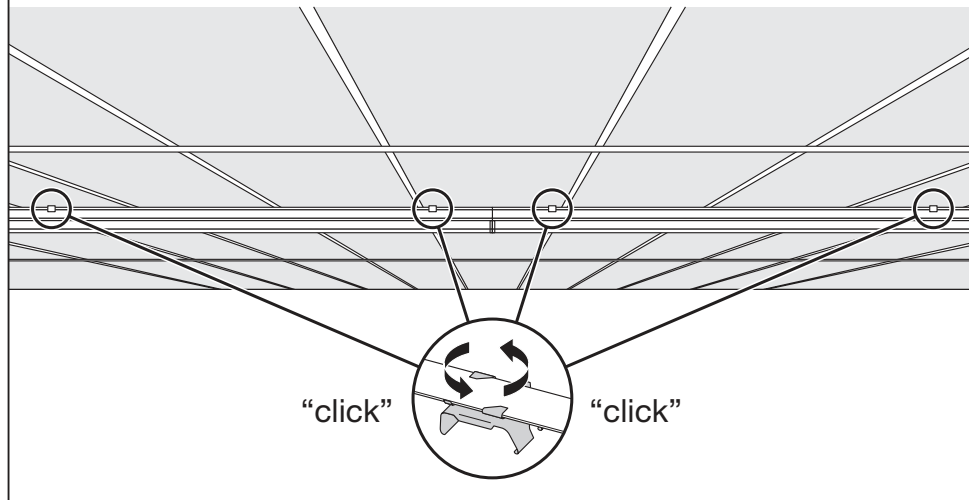
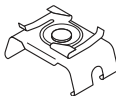
EAN 4058075781818



TRUSYS FLEX GRID CEILING CLIP

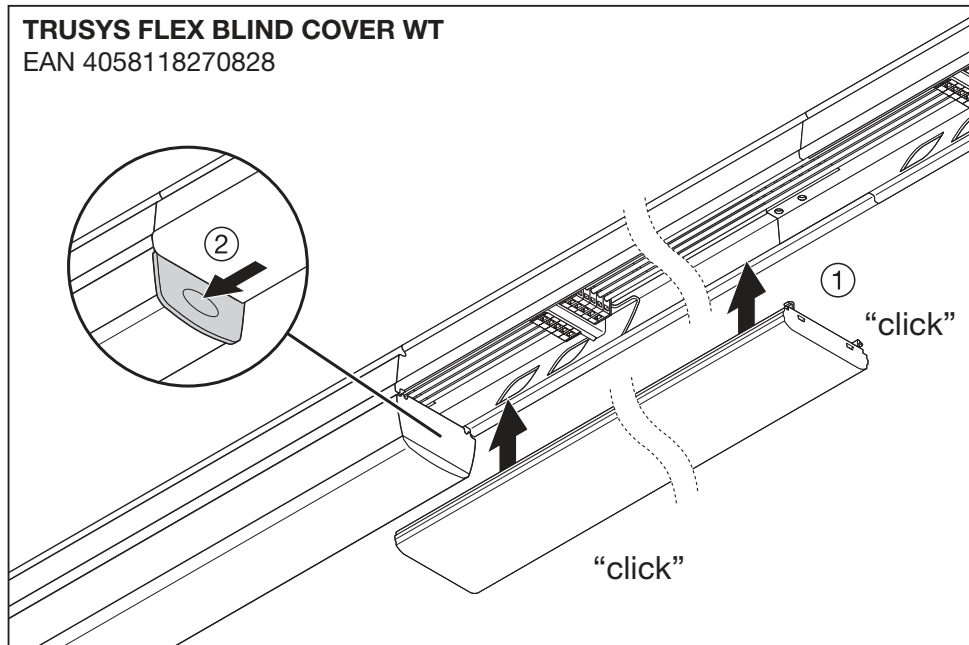
EAN 4058075781917

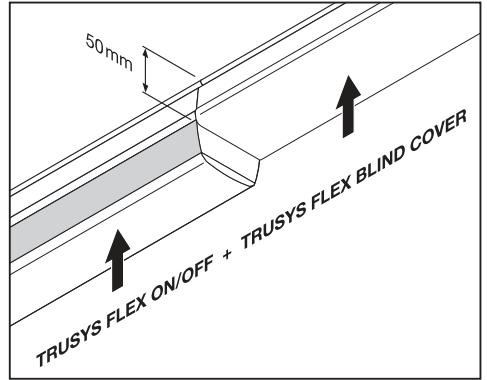
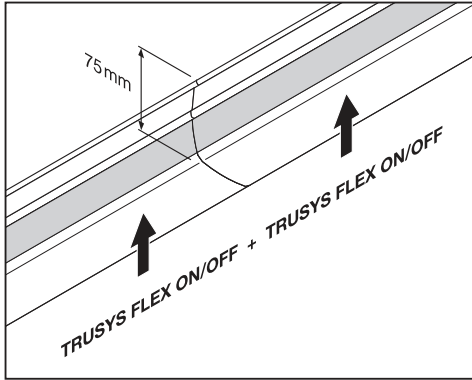
2x



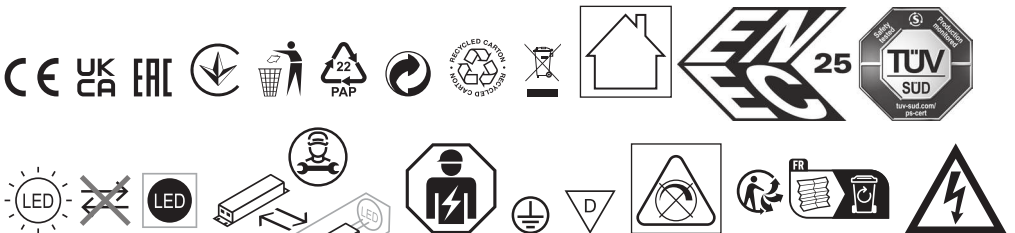
TRUSYS FLEX BLIND COVER WT

EAN 4058118270828





| | 1x TRUSYS FLEX P RAIL | 2x TRUSYS FLEX P RAIL | ... | nx TRUSYS FLEX P RAIL | 1x TRUSYS FLEX P RAIL END |
|----------------------------|-----------------------|-----------------------|-----|-----------------------|---------------------------|
| | | | | | |
| | C10 A | B16 A | | C16 A | |
| | | | | | |
| | Inrush current | | | Inrush current | Inrush Charge Time |
| TRUSYS FLEX 35W 840 | 17 | 22 | | 27 | 27.5 A |
| TRUSYS FLEX 50W 840 | 10 | 13 | | 17 | 32 A |
| TRUSYS FLEX 70W 840 | 7 | 8 | | 12 | 38.8 A |
| | | | | | 148 μs |
| | | | | | 182 μs |
| | | | | | 230 μs |



FR
Cet appareil et ses accessoires se recyclent

À DÉPOSER EN MAGASIN
OU
À DÉPOSER EN DÉCHÈTERIE

Points de collecte sur www.quefairedemesdechets.fr

C10449058
G11141763
14.07.22



LEDVANCE GmbH
Steinerne Furt 62
86167 Augsburg, Germany
www.ledvance.com

© LEDVANCE Ltd, Aquila House
Delta Crescent, Westbrook, Warrington
WA5 7NR, United Kingdom