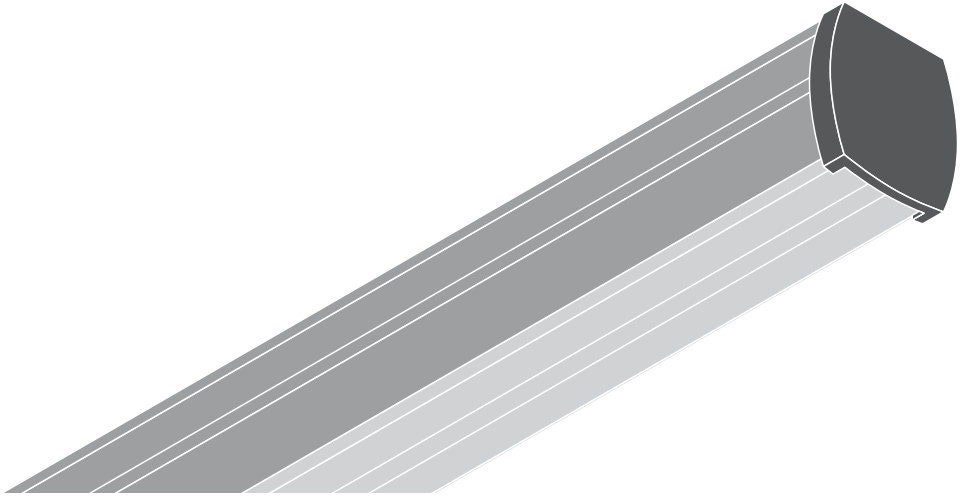


---

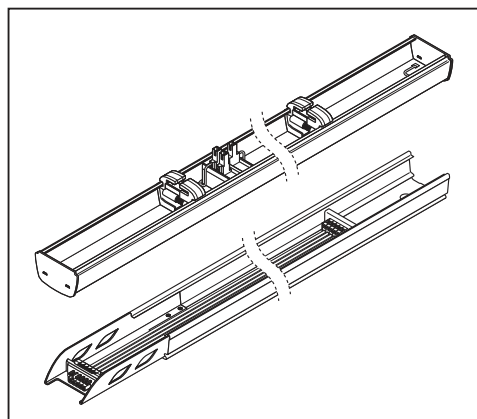
**TruSys® FLEX TRUNKING SYSTEM ON/OFF**


---



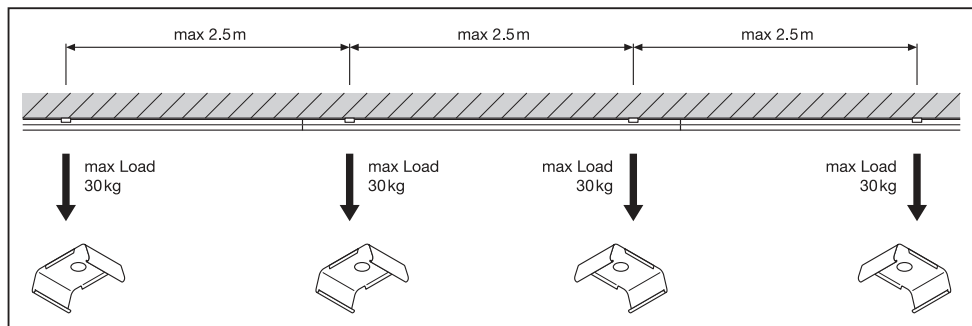
	EAN	l x w x h [mm]	W	VAC	Hz	lm	lm/W
TRUSYS FLEX P 35W 840 VW CL WT	4058075771017	1500x77.7x39.4	35	220-240V	50/60Hz	6000	175
TRUSYS FLEX P 35W 840 W CL WT	4058075771093	1500x77.7x39.4	35	220-240V	50/60Hz	6000	175
TRUSYS FLEX P 35W 840 N CL WT	4058075771307	1500x77.7x39.4	35	220-240V	50/60Hz	6000	175
TRUSYS FLEX P 35W 840 VN CL WT	4058075771345	1500x77.7x39.4	35	220-240V	50/60Hz	6000	175
TRUSYS FLEX P 35W 840 DS CL WT	4058075771383	1500x77.7x39.4	35	220-240V	50/60Hz	6000	175
TRUSYS FLEX P 35W 840 W OP WT	4058075771406	1500x77.7x39.4	35	220-240V	50/60Hz	5800	167
TRUSYS FLEX P 50W 840 VW CL WT	4058075771444	1500x77.7x39.4	50	220-240V	50/60Hz	8600	175
TRUSYS FLEX P 50W 840 W CL WT	4058075771482	1500x77.7x39.4	50	220-240V	50/60Hz	8600	175
TRUSYS FLEX P 50W 840 N CL WT	4058075771574	1500x77.7x39.4	50	220-240V	50/60Hz	8600	175
TRUSYS FLEX P 50W 840 VN CL WT	4058075771604	1500x77.7x39.4	50	220-240V	50/60Hz	8600	175
TRUSYS FLEX P 50W 840 DS CL WT	4058075771802	1500x77.7x39.4	50	220-240V	50/60Hz	8600	175
TRUSYS FLEX P 50W 840 W OP WT	4058075771826	1500x77.7x39.4	50	220-240V	50/60Hz	8300	167
TRUSYS FLEX P 70W 840 VW CL WT	4058075771840	1500x77.7x39.4	70	220-240V	50/60Hz	12100	175
TRUSYS FLEX P 70W 840 W CL WT	4058075771864	1500x77.7x39.4	70	220-240V	50/60Hz	12100	175
TRUSYS FLEX P 70W 840 N CL WT	4058075771888	1500x77.7x39.4	70	220-240V	50/60Hz	12100	175
TRUSYS FLEX P 70W 840 VN CL WT	4058075771925	1500x77.7x39.4	70	220-240V	50/60Hz	12100	175
TRUSYS FLEX P 70W 840 DS CL WT	4058075771994	1500x77.7x39.4	70	220-240V	50/60Hz	12100	175
TRUSYS FLEX P 70W 840 W OP WT	4058075772090	1500x77.7x39.4	70	220-240V	50/60Hz	11700	167
TRUSYS FLEX P RAIL 1500 5P WT	4058075781672	1650x70.2x38.8	-	-	-	-	-
TRUSYS FLEX P RAIL 1500 5P END WT	4058075781733	1500x70.2x38.8	-	-	-	-	-
TRUSYS FLEX P RAIL 3000 5P WT	4058075781757	3150x70.2x38.8	-	-	-	-	-
TRUSYS FLEX P RAIL 4500 5P WT	4058075793156	4650x70.2x38.8	-	-	-	-	-

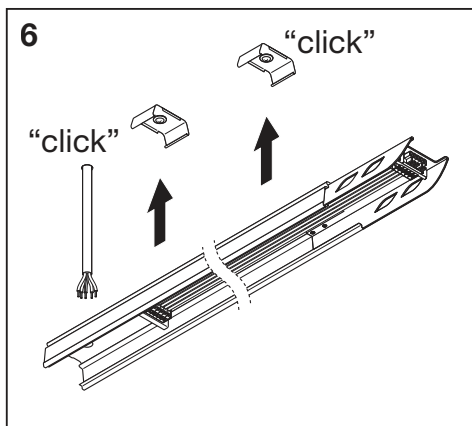
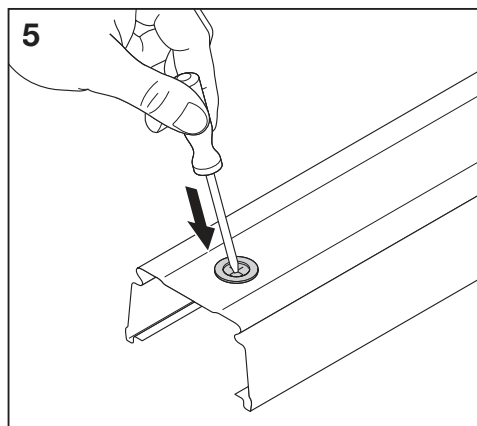
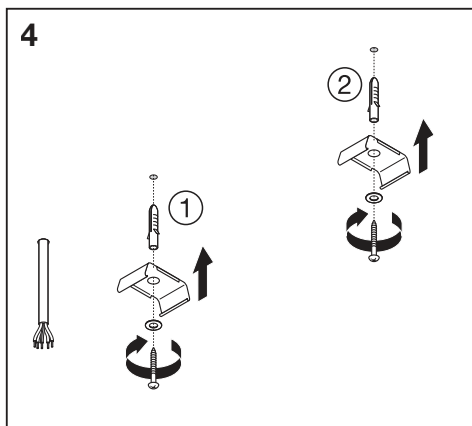
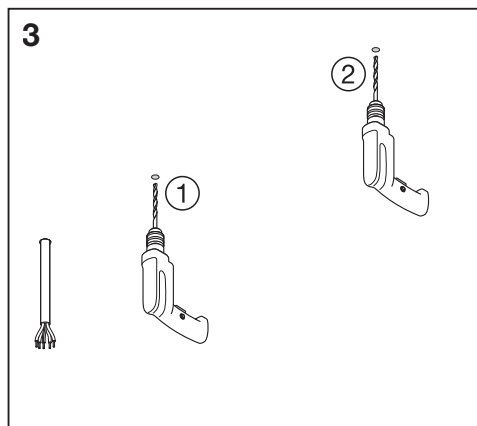
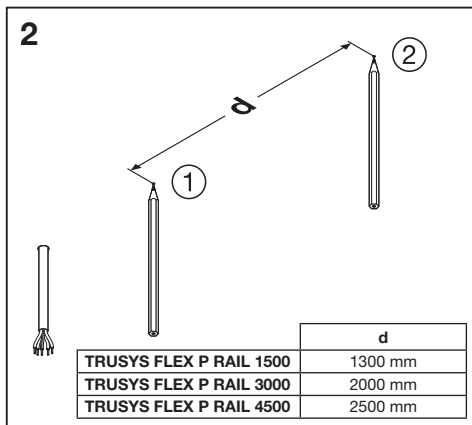
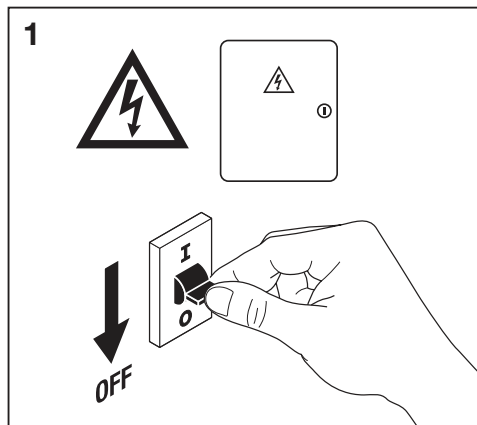
	EAN	K	IP	IK	∇	R <sub>a</sub>	°(°C)	PF	⦿	👤
TRUSYS FLEX P 35W 840 VW CL WT	4058075771017	4000	40	04	120°	≥80	-20...+40	≥0.95	-	1.7 kg
TRUSYS FLEX P 35W 840 W CL WT	4058075771093	4000	40	04	90°	≥80	-20...+40	≥0.95	-	1.7 kg
TRUSYS FLEX P 35W 840 N CL WT	4058075771307	4000	40	04	60°	≥80	-20...+40	≥0.95	-	1.7 kg
TRUSYS FLEX P 35W 840 VN CL WT	4058075771345	4000	40	04	30°	≥80	-20...+40	≥0.95	-	1.7 kg
TRUSYS FLEX P 35W 840 DS CL WT	4058075771383	4000	40	04	2 x 30°	≥80	-25...+40	≥0.95	-	1.7 kg
TRUSYS FLEX P 35W 840 W OP WT	4058075771406	4000	40	04	90°	≥80	-20...+40	≥0.95	-	1.7 kg
TRUSYS FLEX P 50W 840 VW CL WT	4058075771444	4000	40	04	120°	≥80	-20...+40	≥0.95	-	1.7 kg
TRUSYS FLEX P 50W 840 W CL WT	4058075771482	4000	40	04	90°	≥80	-20...+40	≥0.95	-	1.7 kg
TRUSYS FLEX P 50W 840 N CL WT	4058075771574	4000	40	04	60°	≥80	-20...+40	≥0.95	-	1.7 kg
TRUSYS FLEX P 50W 840 VN CL WT	4058075771604	4000	40	04	30°	≥80	-20...+40	≥0.95	-	1.7 kg
TRUSYS FLEX P 50W 840 DS CL WT	4058075771802	4000	40	04	2 x 30°	≥80	-20...+40	≥0.95	-	1.7 kg
TRUSYS FLEX P 50W 840 W OP WT	4058075771826	4000	40	04	90°	≥80	-20...+40	≥0.95	-	1.7 kg
TRUSYS FLEX P 70W 840 VW CL WT	4058075771840	4000	40	04	120°	≥80	-20...+40	≥0.95	-	1.7 kg
TRUSYS FLEX P 70W 840 W CL WT	4058075771864	4000	40	04	90°	≥80	-20...+40	≥0.95	-	1.7 kg
TRUSYS FLEX P 70W 840 N CL WT	4058075771888	4000	40	04	60°	≥80	-20...+40	≥0.95	-	1.7 kg
TRUSYS FLEX P 70W 840 VN CL WT	4058075771925	4000	40	04	30°	≥80	-20...+40	≥0.95	-	1.7 kg
TRUSYS FLEX P 70W 840 DS CL WT	4058075771994	4000	40	04	2 x 30°	≥80	-20...+40	≥0.95	-	1.7 kg
TRUSYS FLEX P 70W 840 W OP WT	4058075772090	4000	40	04	90°	≥80	-20...+40	≥0.95	-	1.7 kg
TRUSYS FLEX P RAIL 1500 5P WT	4058075781672	-	-	04	-	-	-	-	-	1.6 kg
TRUSYS FLEX P RAIL 1500 5P END WT	4058075781733	-	-	04	-	-	-	-	-	1.4 kg
TRUSYS FLEX P RAIL 3000 5P WT	4058075781757	-	-	04	-	-	-	-	-	3.0 kg
TRUSYS FLEX P RAIL 4500 5P WT	4058075793156	-	-	04	-	-	-	-	-	4.2 kg



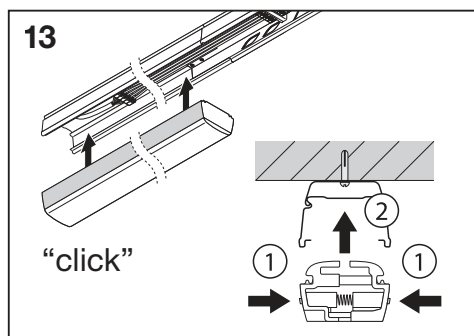
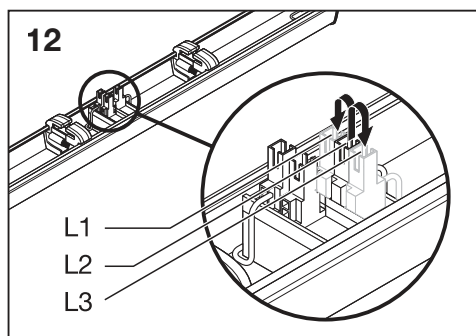
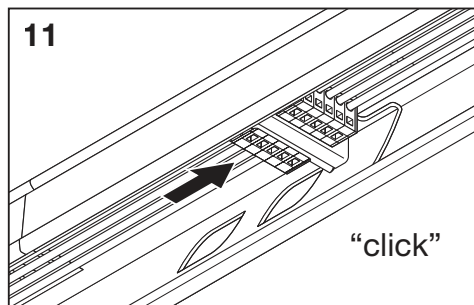
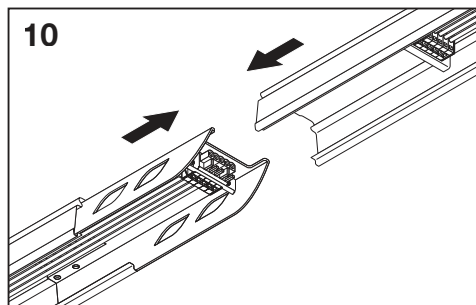
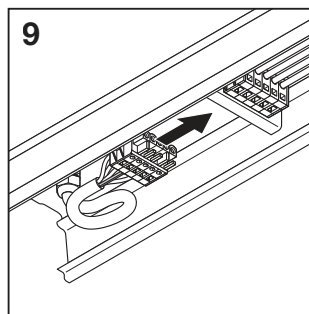
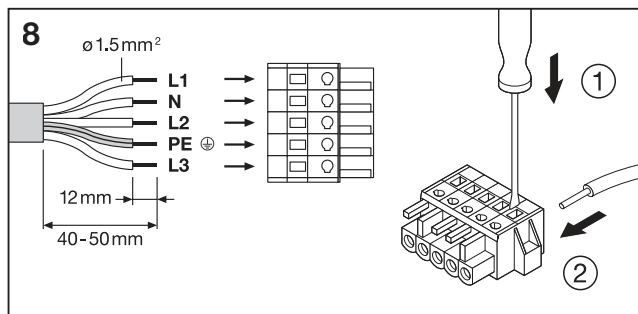
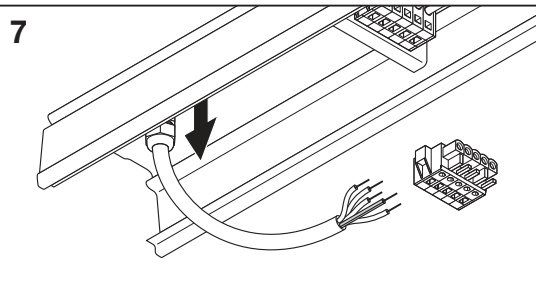
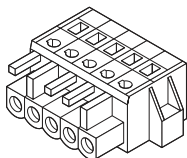
**TRUSYS FLEX  
SURFACE CLIP**  
EAN 4058075781894

2x

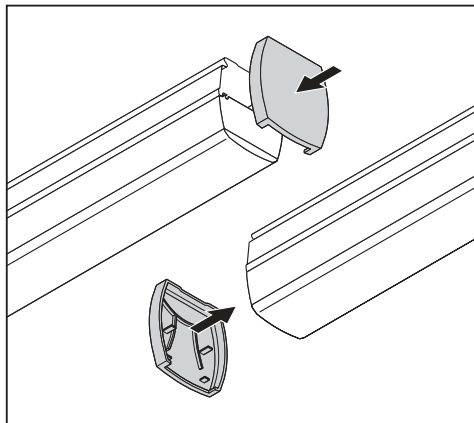
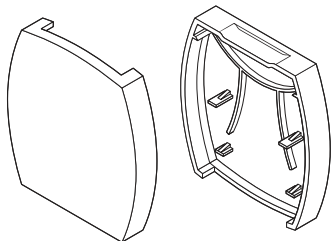




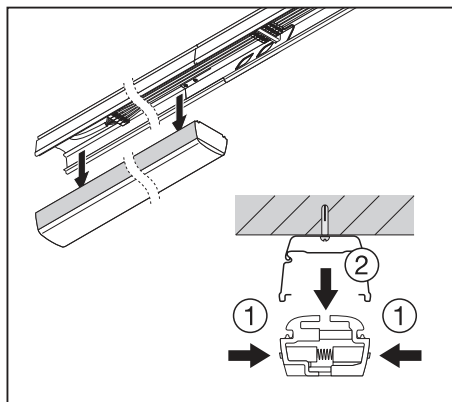
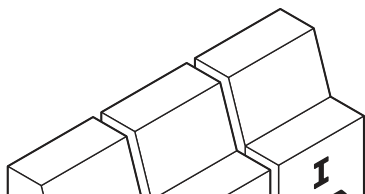
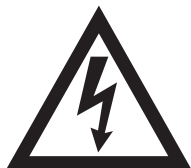
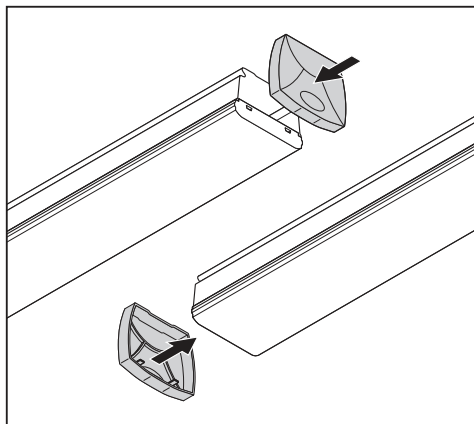
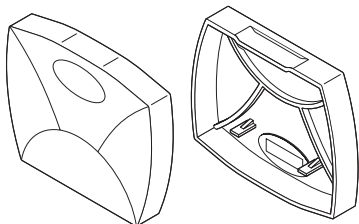
**TRUSYS FLEX FEED IN 5P**  
EAN 4058075781931



**TRUSYS FLEX**  
**END CAP RAIL WT**  
EAN 4058075781856

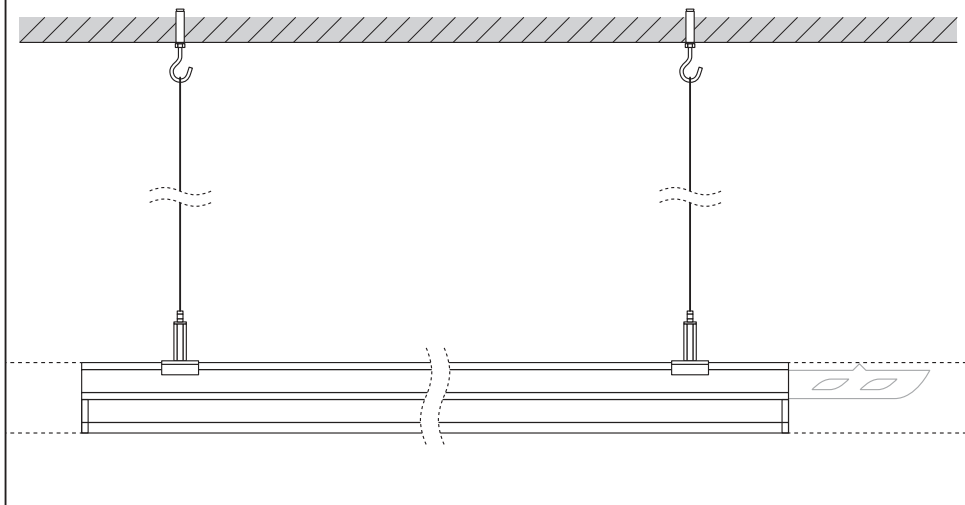
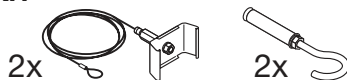


**TRUSYS FLEX**  
**END CAP LOW RAIL WT**  
EAN 4058075781870



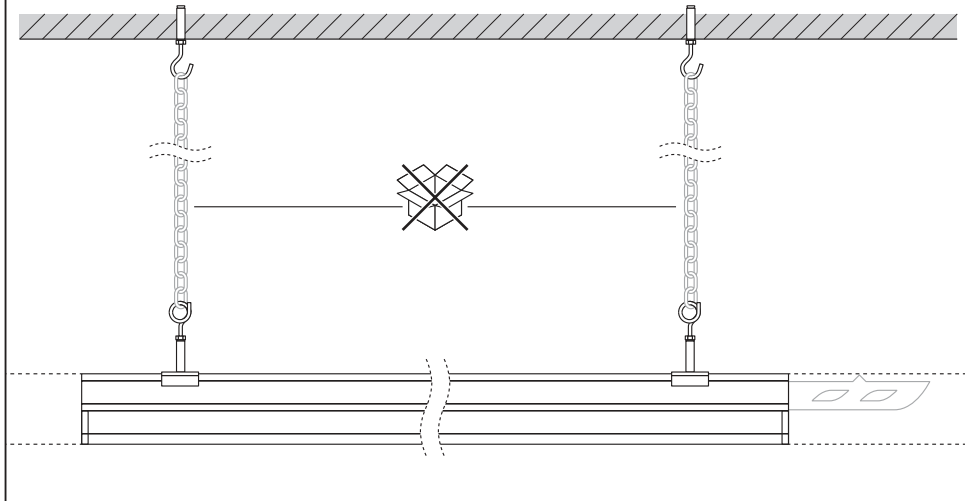
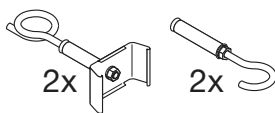
### TRUSYS FLEX SUSPENSION KIT

EAN 4058075781795



### TRUSYS FLEX CHAIN KIT

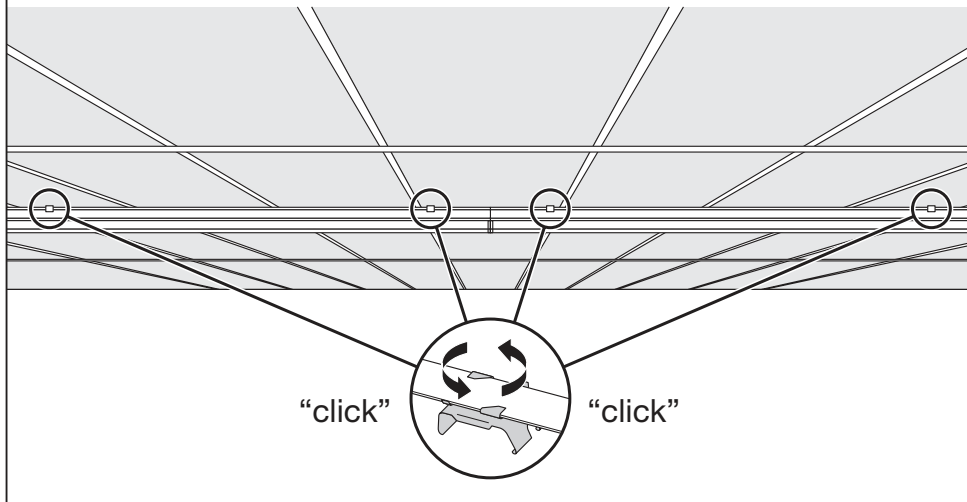
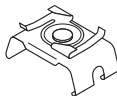
EAN 4058075781818



**TRUSYS FLEX GRID CEILING CLIP**

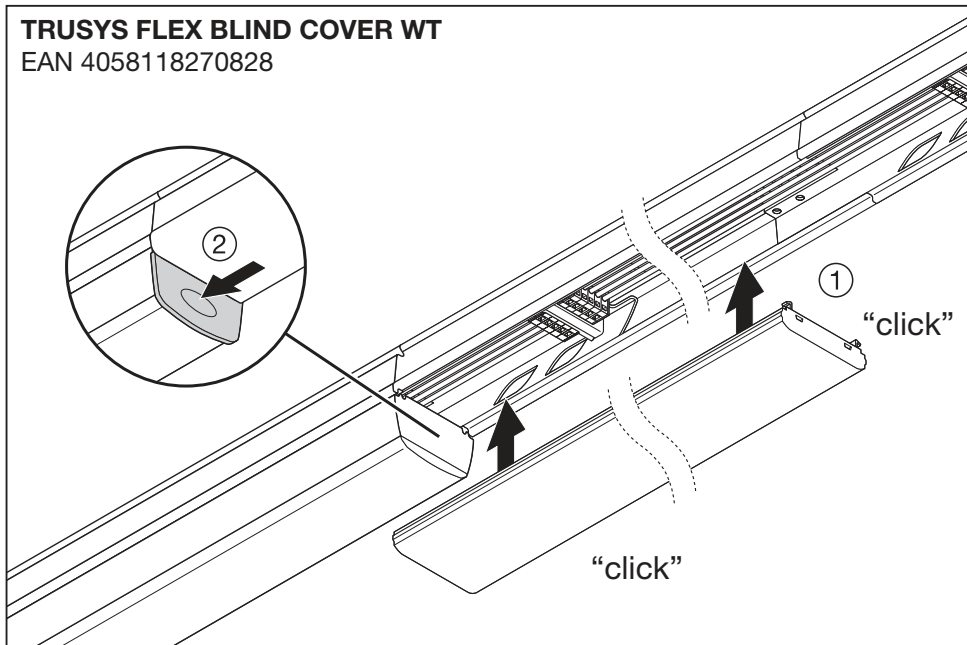
EAN 4058075781917

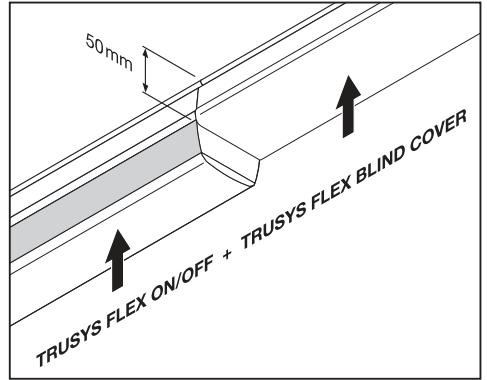
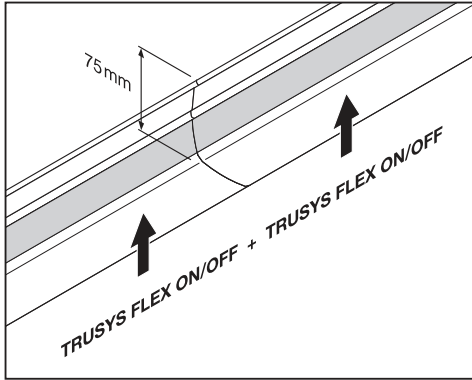
2x



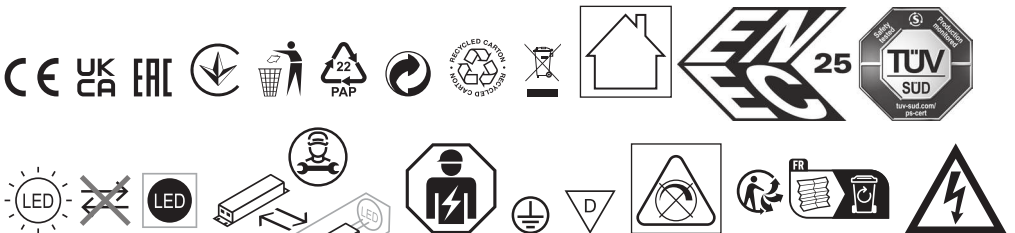
**TRUSYS FLEX BLIND COVER WT**

EAN 4058118270828





	1x TRUSYS FLEX P RAIL	2x TRUSYS FLEX P RAIL	...	nx TRUSYS FLEX P RAIL	1x TRUSYS FLEX P RAIL END
	<b>C10 A</b>	<b>B16 A</b>		<b>C16 A</b>	<b>Inrush current</b>
					<b>Inrush Charge Time</b>
<b>TRUSYS FLEX 35W 840</b>	17	22		27	27.5 A
<b>TRUSYS FLEX 50W 840</b>	10	13		17	32 A
<b>TRUSYS FLEX 70W 840</b>	7	8		12	38.8 A



**FR**  
Cet appareil et ses accessoires se recyclent

À DÉPOSER EN MAGASIN  
OU  
À DÉPOSER EN DÉCHÈTERIE

Points de collecte sur [www.quefairede mesdechets.fr](http://www.quefairede mesdechets.fr)

C10449058  
G11141763  
14.07.22



LEDVANCE GmbH  
Steinerne Furt 62  
86167 Augsburg, Germany  
[www.ledvance.com](http://www.ledvance.com)

© LEDVANCE Ltd, Aquila House  
Delta Crescent, Westbrook, Warrington  
WA5 7NR, United Kingdom