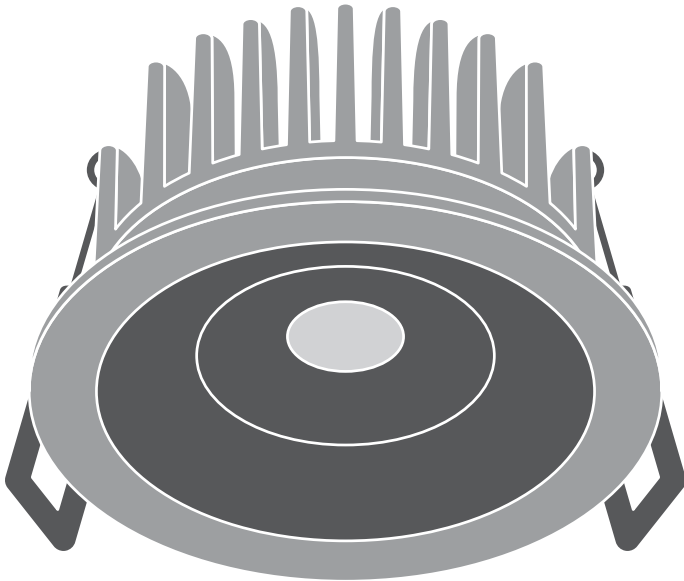







---

**SPOT FIX**  
**SPOT ADJUST**

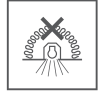
---



|                                | EAN           | W | Hz       | PF    | Im  | Im/W | K    | R <sub>a</sub> |  |
|--------------------------------|---------------|---|----------|-------|-----|------|------|----------------|--|
| SP FIX P 8W 927 PS DIM IP44 WT | 4058075799523 | 8 | 50/60 Hz | > 0.9 | 640 | 80   | 2700 | 90             | 36°  |
| SP FIX P 8W 930 PS DIM IP44 WT | 4058075799547 | 8 | 50/60 Hz | > 0.9 | 680 | 85   | 3000 | 90             | 36°  |
| SP FIX P 8W 940 PS DIM IP44 WT | 4058075799561 | 8 | 50/60 Hz | > 0.9 | 720 | 90   | 4000 | 90             | 36°  |
| SP FIX P 8W 927 PS DIM IP44 BK | 4099854000126 | 8 | 50/60 Hz | > 0.9 | 640 | 80   | 2700 | 90             | 36°  |
| SP FIX P 8W 930 PS DIM IP44 BK | 4058075799585 | 8 | 50/60 Hz | > 0.9 | 680 | 85   | 3000 | 90             | 36°  |
| SP FIX P 8W 930 PS DIM IP44 SI | 4058075799608 | 8 | 50/60 Hz | > 0.9 | 680 | 85   | 3000 | 90             | 36°  |
| SP ADJ P 8W 927 PS DIM IP20 WT | 4058075799622 | 8 | 50/60 Hz | > 0.9 | 640 | 80   | 2700 | 90             | 36°  |
| SP ADJ P 8W 930 PS DIM IP20 WT | 4058075799646 | 8 | 50/60 Hz | > 0.9 | 680 | 85   | 3000 | 90             | 36°  |
| SP ADJ P 8W 940 PS DIM IP20 WT | 4058075799660 | 8 | 50/60 Hz | > 0.9 | 720 | 90   | 4000 | 90             | 36°  |
| SP ADJ P 8W 927 PS DIM IP20 BK | 4099854000140 | 8 | 50/60 Hz | > 0.9 | 640 | 80   | 2700 | 90             | 36°  |
| SP ADJ P 8W 930 PS DIM IP20 BK | 4058075799684 | 8 | 50/60 Hz | > 0.9 | 680 | 85   | 3000 | 90             | 36°  |
| SP ADJ P 8W 930 PS DIM IP20 SI | 4058075799707 | 8 | 50/60 Hz | > 0.9 | 680 | 85   | 3000 | 90             | 36°  |

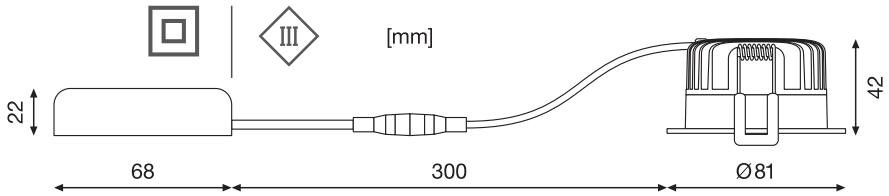
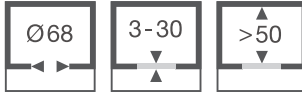
|                                | EAN           | <br>CC mA | <br>V <sub>DC</sub> | IP    | IK | Ø x h<br>[mm] |  |  (°C) |
|--------------------------------|---------------|--|--|-------|----|---------------|---|--|
| SP FIX P 8W 927 PS DIM IP44 WT | 4058075799523 | 180  | 30 - 40  | 44/20 | 05 | 81x42         | 0.3 kg  | -20...+40  |
| SP FIX P 8W 930 PS DIM IP44 WT | 4058075799547 | 180  | 30 - 40  | 44/20 | 05 | 81x42         | 0.3 kg  | -20...+40  |
| SP FIX P 8W 940 PS DIM IP44 WT | 4058075799561 | 180  | 30 - 40  | 44/20 | 05 | 81x42         | 0.3 kg  | -20...+40  |
| SP FIX P 8W 927 PS DIM IP44 BK | 4099854000126 | 180  | 30 - 40  | 44/20 | 05 | 81x42         | 0.3 kg  | -20...+40  |
| SP FIX P 8W 930 PS DIM IP44 BK | 4058075799585 | 180  | 30 - 40  | 44/20 | 05 | 81x42         | 0.3 kg  | -20...+40  |
| SP FIX P 8W 930 PS DIM IP44 SI | 4058075799608 | 180  | 30 - 40  | 44/20 | 05 | 81x42         | 0.3 kg  | -20...+40  |
| SP ADJ P 8W 927 PS DIM IP20 WT | 4058075799622 | 180  | 30 - 40  | 20    | 03 | 81x43         | 0.3 kg  | -20...+40  |
| SP ADJ P 8W 930 PS DIM IP20 WT | 4058075799646 | 180  | 30 - 40  | 20    | 03 | 81x43         | 0.3 kg  | -20...+40  |
| SP ADJ P 8W 940 PS DIM IP20 WT | 4058075799660 | 180  | 30 - 40  | 20    | 03 | 81x43         | 0.3 kg  | -20...+40  |
| SP ADJ P 8W 927 PS DIM IP20 BK | 4099854000140 | 180  | 30 - 40  | 20    | 03 | 81x43         | 0.3 kg  | -20...+40  |
| SP ADJ P 8W 930 PS DIM IP20 BK | 4058075799684 | 180  | 30 - 40  | 20    | 03 | 81x43         | 0.3 kg  | -20...+40  |
| SP ADJ P 8W 930 PS DIM IP20 SI | 4058075799707 | 180  | 30 - 40  | 20    | 03 | 81x43         | 0.3 kg  | -20...+40  |

**SPOT FIX**

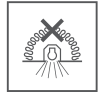


**IP20**

**IP44**

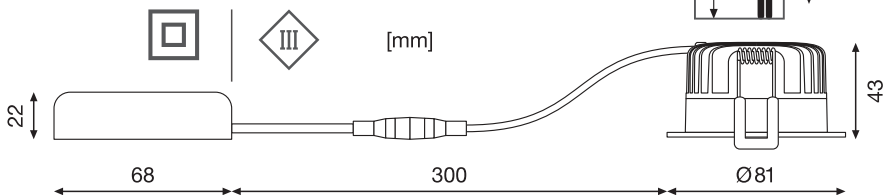
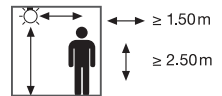


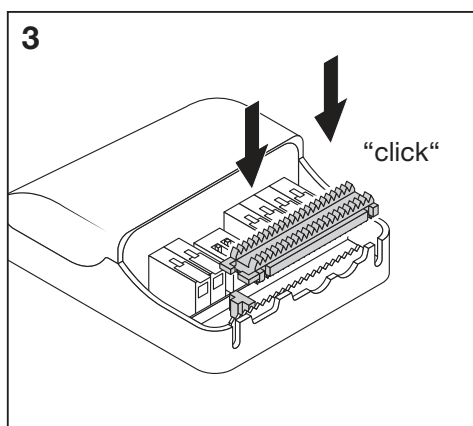
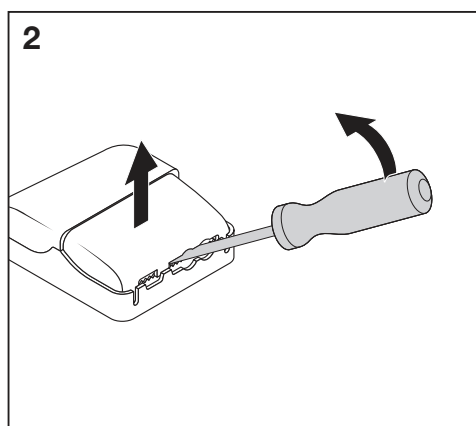
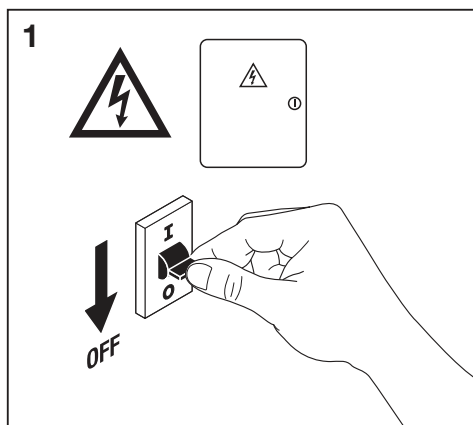
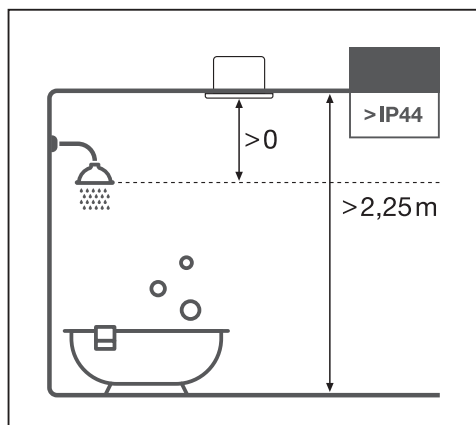
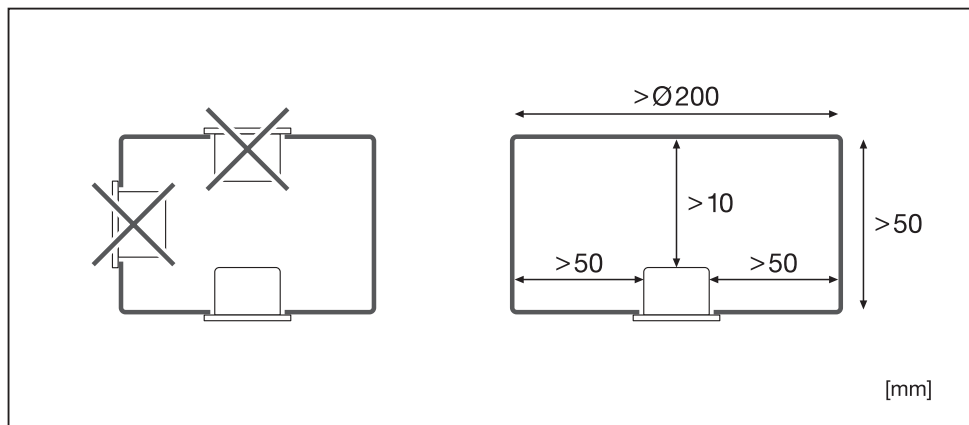
**SPOT ADJUST**



**IP20**

**IP20**

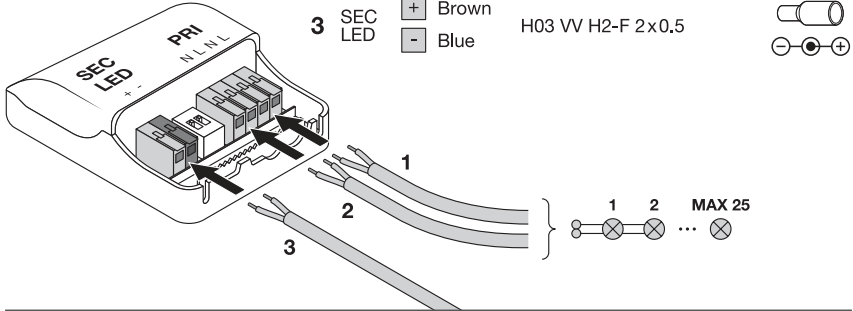




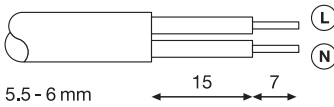
4

- 1 N Blue H03 VV-F 2x0.75 D5.5
- 2 PRI L Brown H03 VV-F 2x1.0 D6.0
- H03 VV-F 2x1.5 D7.5

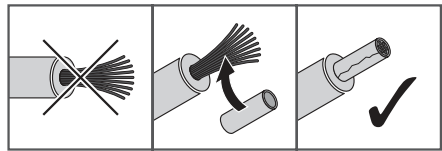
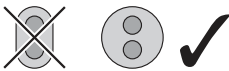
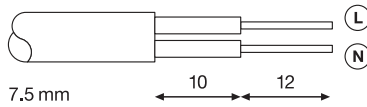
- 3 SEC LED + Brown H03 VV H2-F 2x0.5
- Blue



H03 VV-F 2 x 0.75 D 5.5  
H05 VV-F 2 x 1.0 D 6.0











H05 VV-F 2 x 1.5 D 7.5

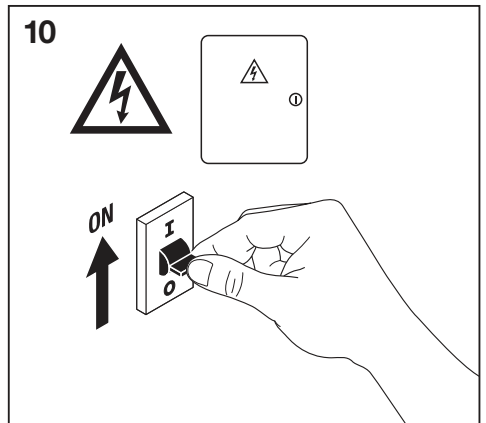
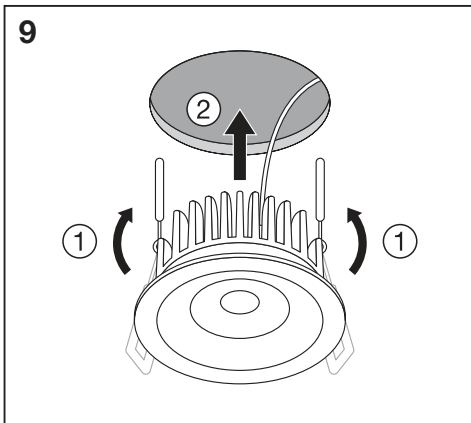
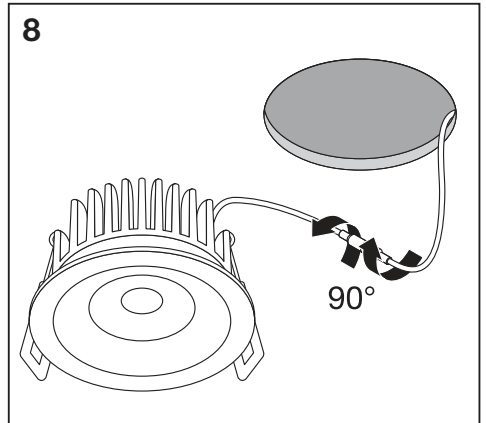
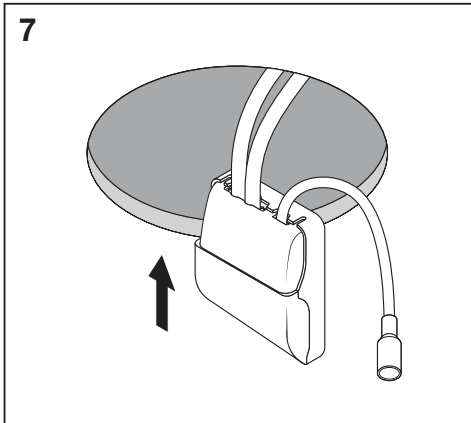
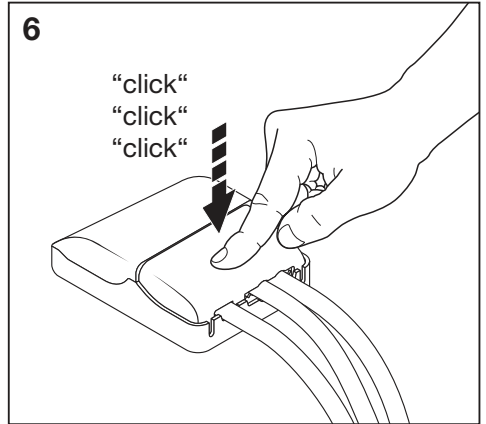


|                   | C10   | B16   | C16   |
|-------------------|-------|-------|-------|
| Spot Fix P 8 W    | n=210 | n=336 | n=336 |
| Spot Adjust P 8 W |       |       |       |

**5**

SPOT FIX  
SPOT ADJUST

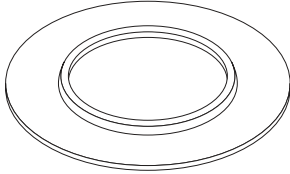
|   |   |   |   |      |
|---|---|---|---|------|
|  |  |  |  |      |
|  |  |  |  |      |
| Preset  |   |   |   |      |
| Current (CC)  | 85mA  | 140mA   | 180mA   | 85mA |
| Power   | 4W  | 6W  | 8W  | 4W   |
| % rated lumen   | 50%   | 80%   | 100%  | 50%  |



**SP RING D133**

EAN 4099854013355 (WHITE)

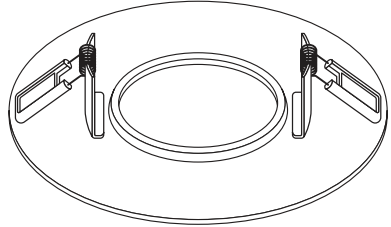
EAN 4099854013386 (BLACK)



**SP RING D180**

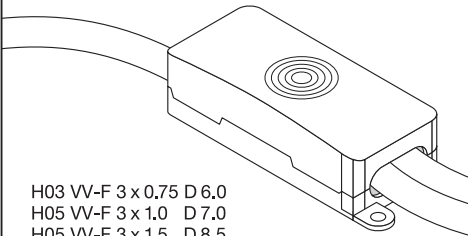
EAN 4099854013416 (WHITE)

EAN 4099854013447 (BLACK)



**CONNECTOR BOX 3 POLE**

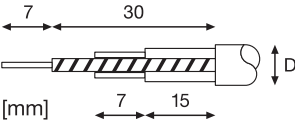
EAN 4099854013508



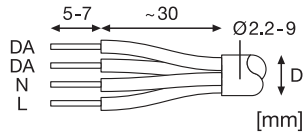
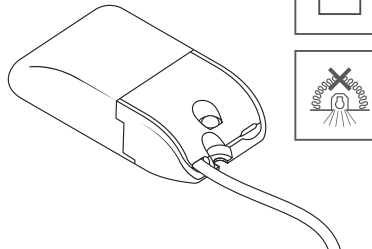
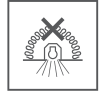
H03 VV-F 3 x 0,75 D 6,0

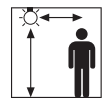
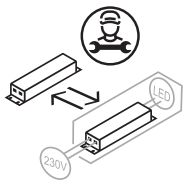
H05 VV-F 3 x 1,0 D 7,0

H05 VV-F 3 x 1,5 D 8,5



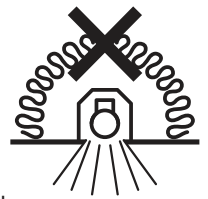
**SP DRIVER DALI  
PLANNED**





≥ 1.50m

≥ 2.50m



FR

Cet appareil et ses accessoires se recyclent

À DÉPOSER EN MAGASIN

À DÉPOSER EN DÉCHÈTERIE



Points de collecte sur [www.quefairedemesdechets.fr](http://www.quefairedemesdechets.fr)



LEDVANCE GmbH  
Steinerne Furt 62  
86167 Augsburg, Germany  
[www.ledvance.com](http://www.ledvance.com)

C10449058  
G11146529

22.07.22

© LEDVANCE Ltd, Aquila House  
Delta Crescent, Westbrook, Warrington  
WA5 7NR, United Kingdom