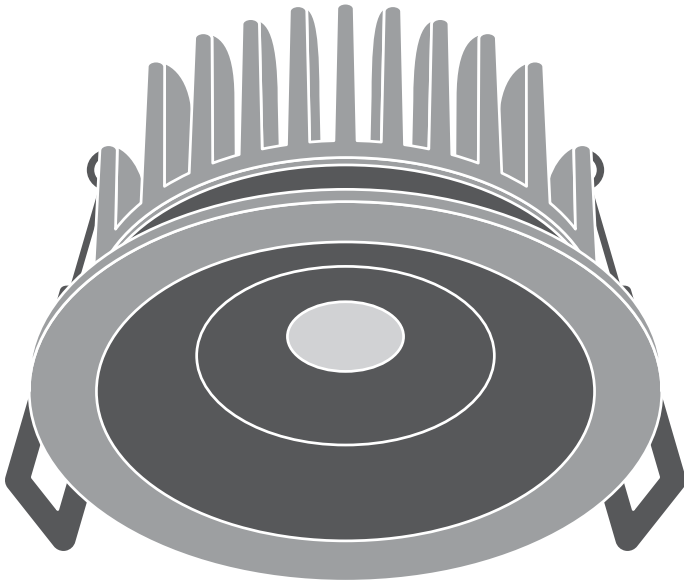





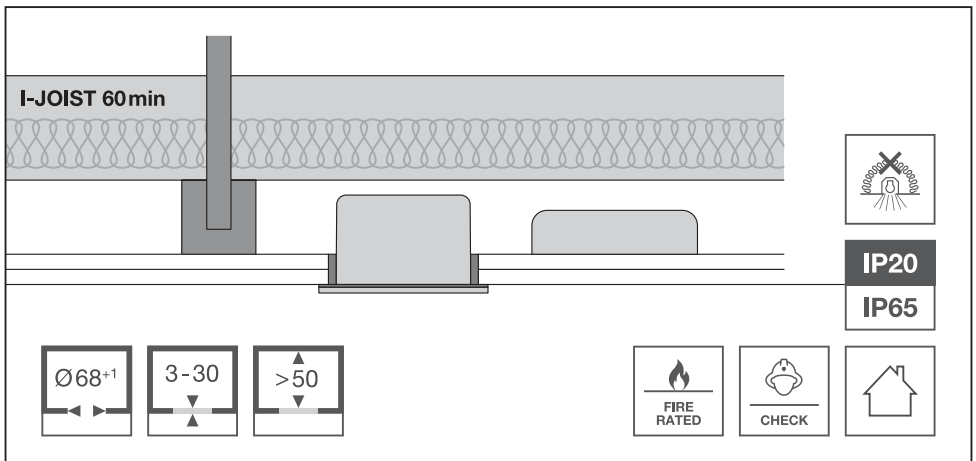
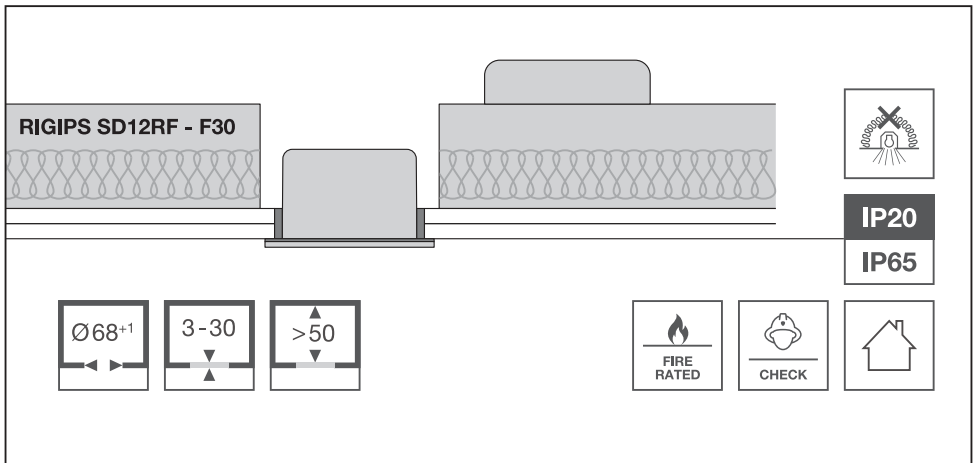
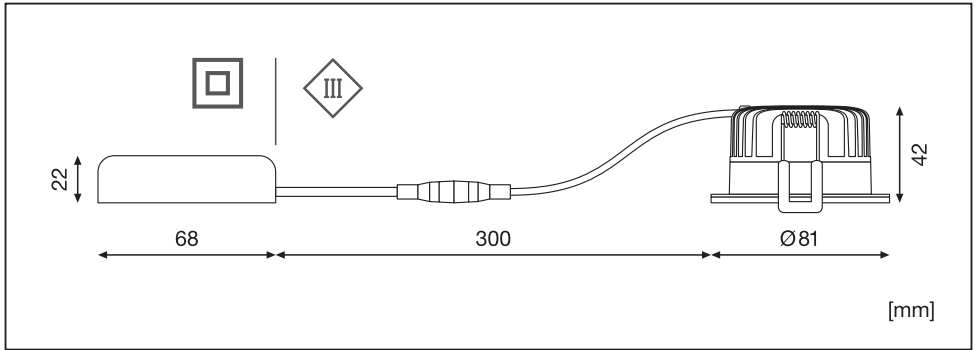
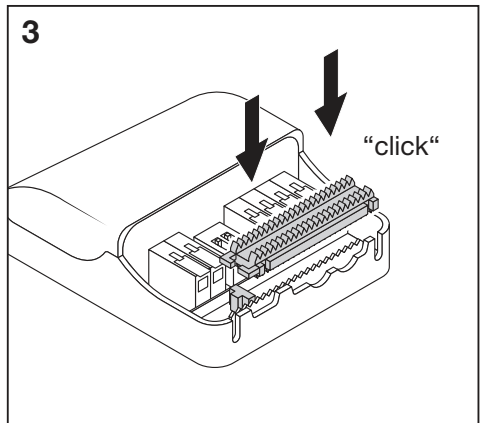
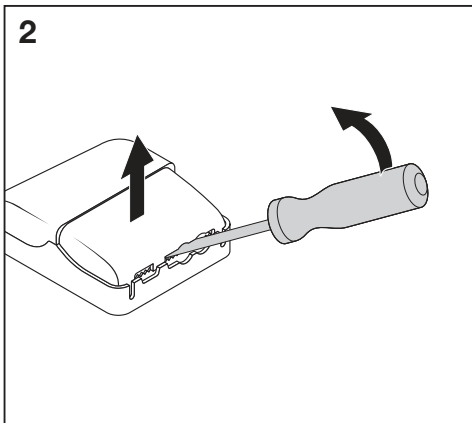
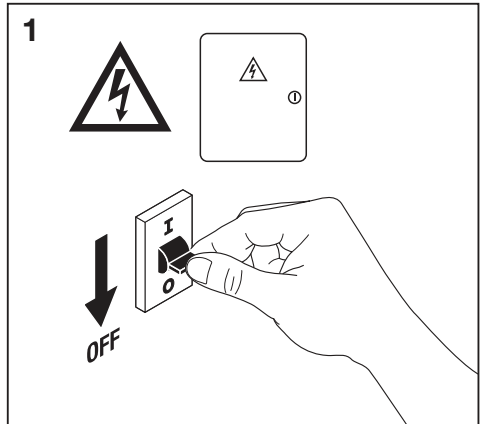
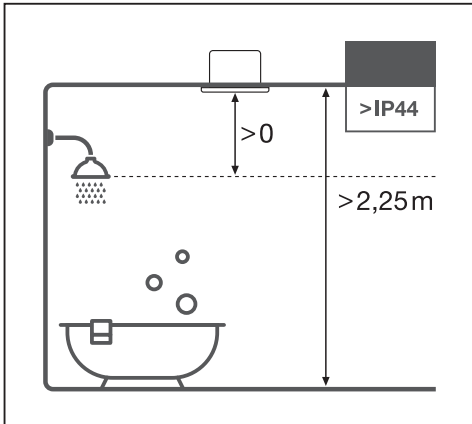
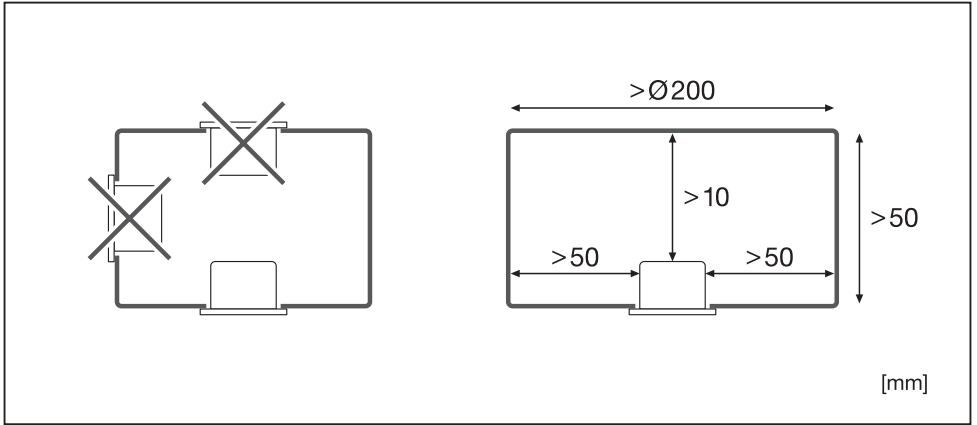

SPOT FIRE RATED



	EAN	W	Hz	PF	lm	lm/W	K	R _a	
SP FP FIX P 8W 927 PS DIM IP65 WT	4058075799721	8	50/60 Hz	> 0.9	640	80	2700	90	36°
SP FP FIX P 8W 930 PS DIM IP65 WT	4058075799745	8	50/60 Hz	> 0.9	680	85	3000	90	36°
SP FP FIX P 8W 940 PS DIM IP65 WT	4058075799769	8	50/60 Hz	> 0.9	720	90	4000	90	36°
SP FP FIX P 8W 927 PS DIM IP65 BK	4099854000027	8	50/60 Hz	> 0.9	640	80	2700	90	36°
SP FP FIX P 8W 930 PS DIM IP65 BK	4058075799783	8	50/60 Hz	> 0.9	680	85	3000	90	36°

	EAN	 CC mA	 V _{DC}	IP	IK	Ø x h [mm]		 (°C)
SP FP FIX P 8W 927 PS DIM IP65 WT	4058075799721	180	30 - 40	65/20	05	81x42	0.3 kg	-20...+40
SP FP FIX P 8W 930 PS DIM IP65 WT	4058075799745	180	30 - 40	65/20	05	81x42	0.3 kg	-20...+40
SP FP FIX P 8W 940 PS DIM IP65 WT	4058075799769	180	30 - 40	65/20	05	81x42	0.3 kg	-20...+40
SP FP FIX P 8W 927 PS DIM IP65 BK	4099854000027	180	30 - 40	65/20	05	81x42	0.3 kg	-20...+40
SP FP FIX P 8W 930 PS DIM IP65 BK	4058075799783	180	30 - 40	65/20	05	81x42	0.3 kg	-20...+40

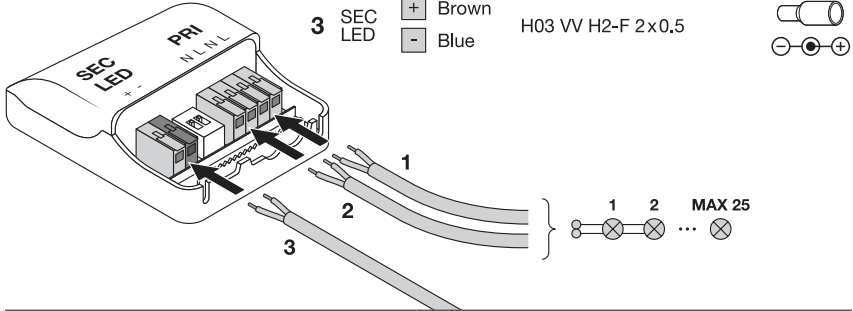




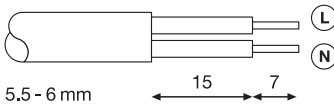
4

- 1** N Blue H03 VV-F 2x0.75 D5.5
2 PRI L Brown H03 VV-F 2x1.0 D6.0
 H03 VV-F 2x1.5 D7.5

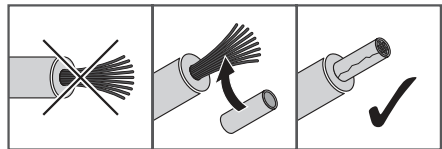
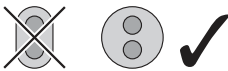
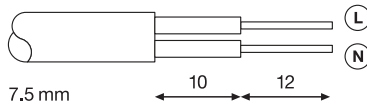
- 3** SEC LED + Brown H03 VV H2-F 2x0.5
 - Blue



H03 VV-F 2 x 0.75 D 5.5
H05 VV-F 2 x 1.0 D 6.0



H05 VV-F 2 x 1.5 D 7.5

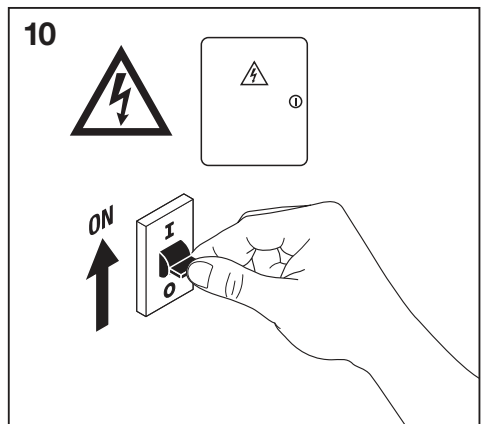
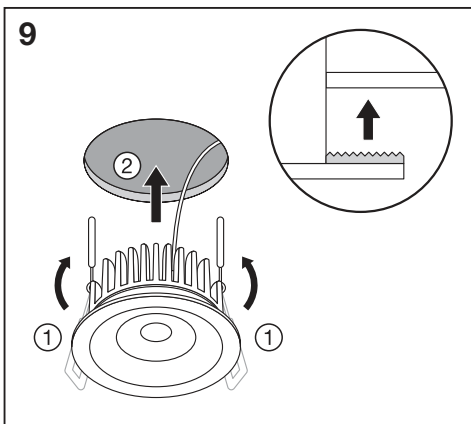
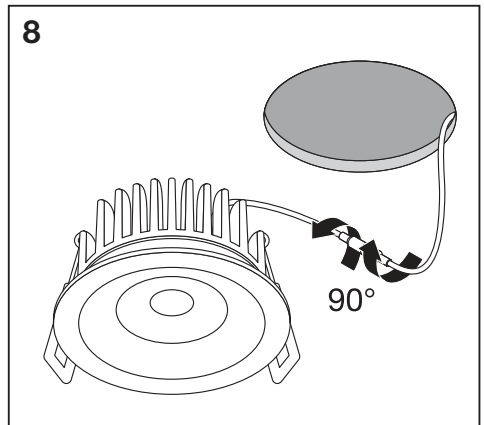
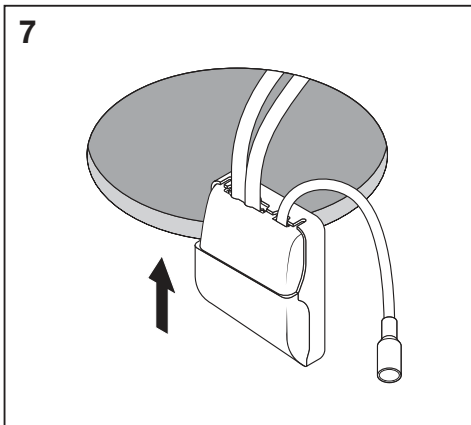
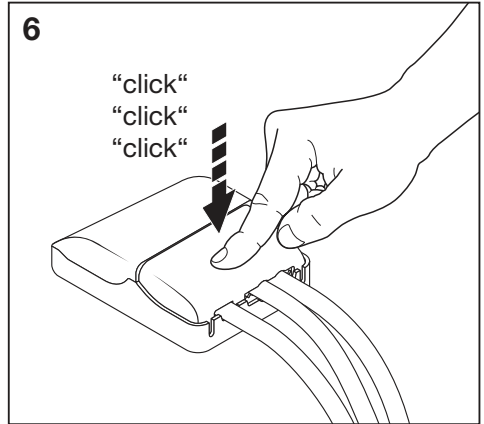


C10	B16	C16
n=210	n=336	n=336

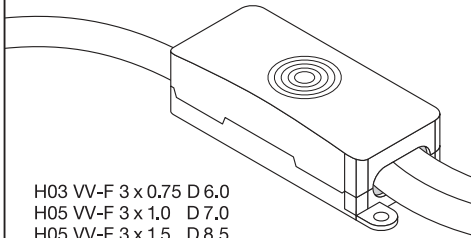
5

	✓	✓	✓	○
	ON 1 2	ON 1 2	ON 1 2	ON 1 2
Current (CC)	85mA	140mA	180mA	85mA
Power	4W	6W	8W	4W
% rated lumen	50%	80%	100%	50%

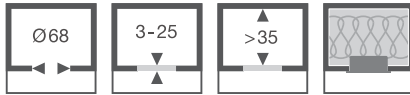
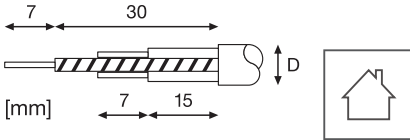
Preset



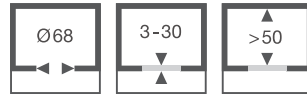
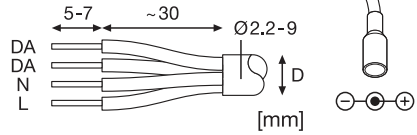
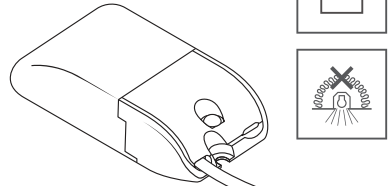
CONNECTOR BOX 3 POLE
EAN 4099854013508

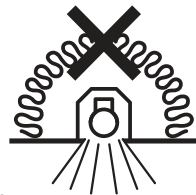
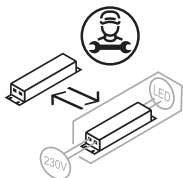


H03 VV-F 3 x 0.75 D 6.0
H05 VV-F 3 x 1.0 D 7.0
H05 VV-F 3 x 1.5 D 8.5



SP DRIVER DALI
PLANNED





FR

Cet appareil et ses accessoires se recyclent

À DÉPOSER EN MAGASIN

À DÉPOSER EN DÉCHÈTERIE



OU



Points de collecte sur www.quefairedemesdechets.fr



LEDVANCE GmbH
Steinerne Furt 62
86167 Augsburg, Germany
www.ledvance.com

C10449058
G11146530

22.07.22

© LEDVANCE Ltd, Aquila House
Delta Crescent, Westbrook, Warrington
WA5 7NR, United Kingdom