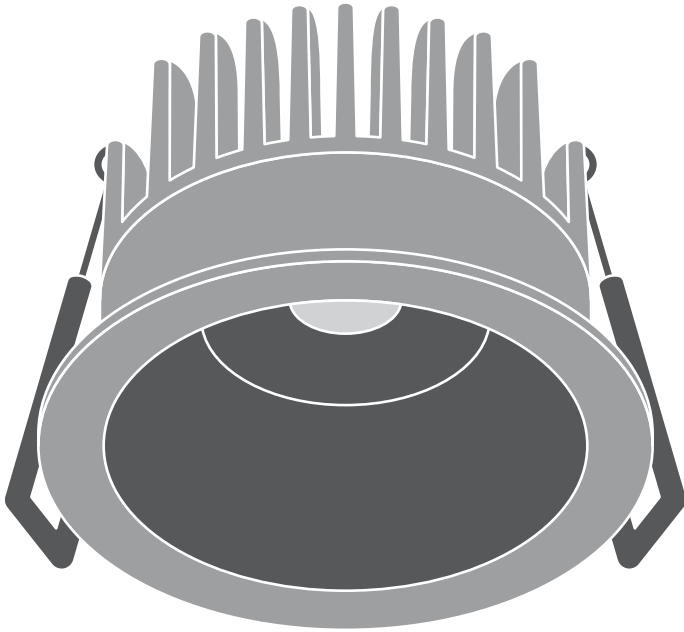







---

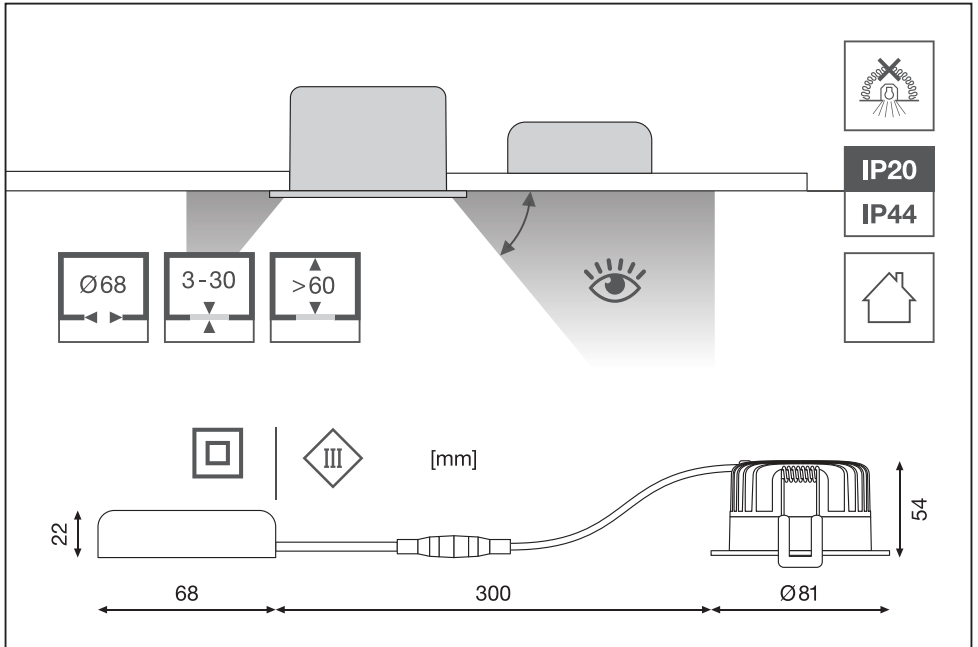
**SPOT DARKLIGHT**

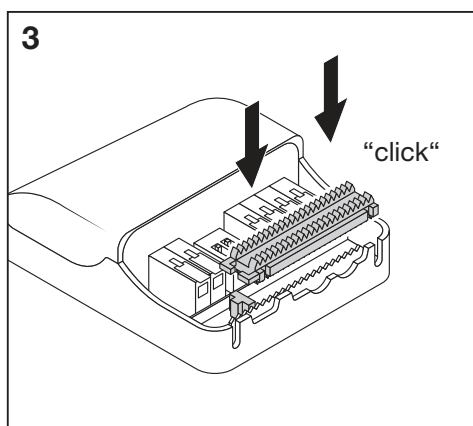
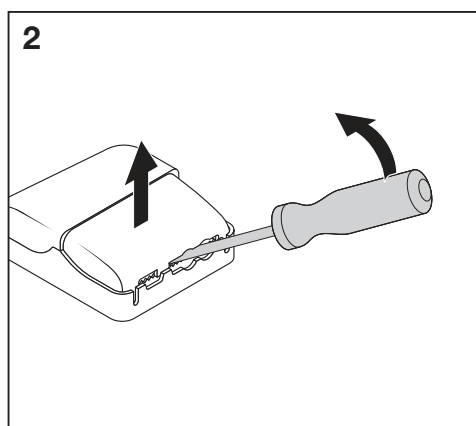
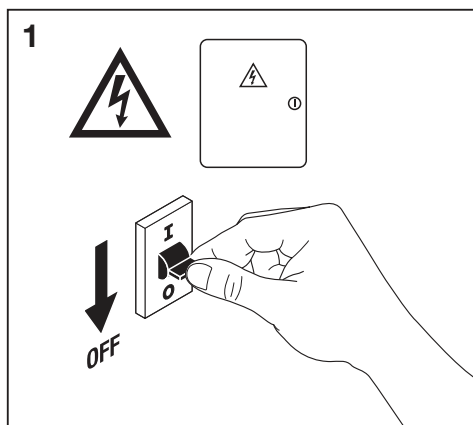
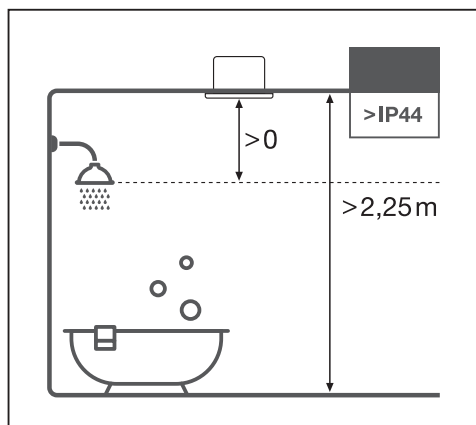
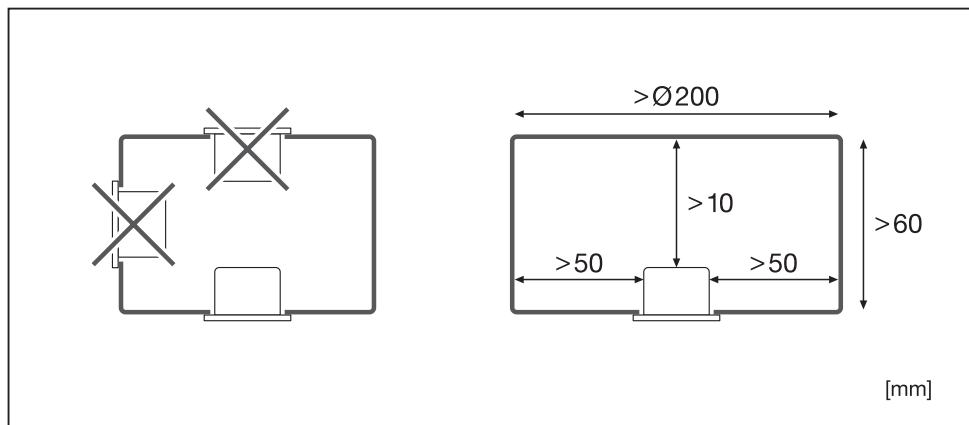
---



	EAN	W	Hz	PF	lm	lm/W	K	R <sub>a</sub>	
SP DK FIX P 8W 927 PS DIM IP44 WT	4058075799806	8	50/60 Hz	> 0.9	640	80	2700	90	36°
SP DK FIX P 8W 930 PS DIM IP44 WT	4058075799820	8	50/60 Hz	> 0.9	680	85	3000	90	36°
SP DK FIX P 8W 940 PS DIM IP44 WT	4058075799844	8	50/60 Hz	> 0.9	720	90	4000	90	36°
SP DK FIX P 8W 927 PS DIM IP44 BK	4099854000164	8	50/60 Hz	> 0.9	640	80	2700	90	36°
SP DK FIX P 8W 930 PS DIM IP44 BK	4058075799868	8	50/60 Hz	> 0.9	680	85	3000	90	36°
SP DK FIX P 8W 930 PS DIM IP44 SI	4058075799882	8	50/60 Hz	> 0.9	680	85	3000	90	36°

	EAN	 CC mA	 V <sub>dc</sub>	IP	IK	Ø x h [mm]		 (°C)
SP DK FIX P 8W 927 PS DIM IP44 WT	4058075799806	180	30 - 40	44/20	03	81x54	0.3 kg	-20...+40
SP DK FIX P 8W 930 PS DIM IP44 WT	4058075799820	180	30 - 40	44/20	03	81x54	0.3 kg	-20...+40
SP DK FIX P 8W 940 PS DIM IP44 WT	4058075799844	180	30 - 40	44/20	03	81x54	0.3 kg	-20...+40
SP DK FIX P 8W 927 PS DIM IP44 BK	4099854000164	180	30 - 40	44/20	03	81x54	0.3 kg	-20...+40
SP DK FIX P 8W 930 PS DIM IP44 BK	4058075799868	180	30 - 40	44/20	03	81x54	0.3 kg	-20...+40
SP DK FIX P 8W 930 PS DIM IP44 SI	4058075799882	180	30 - 40	44/20	03	81x54	0.3 kg	-20...+40

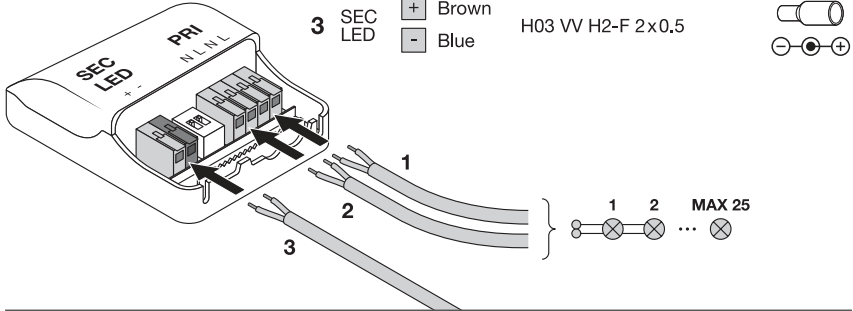




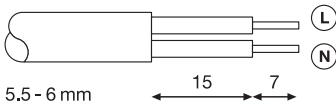
4

- 1 N Blue H03 VV-F 2x0.75 D5.5
- 2 PRI L Brown H03 VV-F 2x1.0 D6.0
- H03 VV-F 2x1.5 D7.5

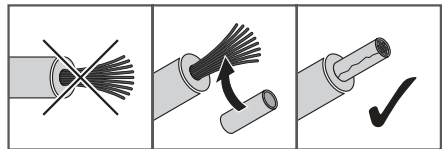
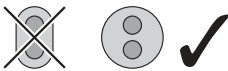
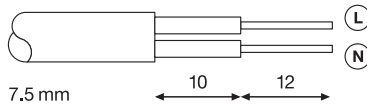
- 3 SEC LED + Brown H03 VV H2-F 2x0.5
- Blue



H03 VV-F 2 x 0.75 D 5.5  
H05 VV-F 2 x 1.0 D 6.0

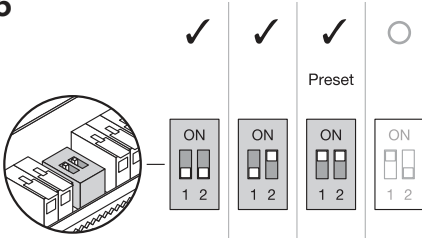


H05 VV-F 2 x 1.5 D 7.5

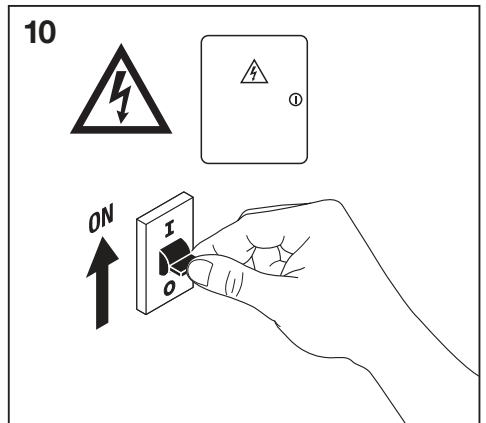
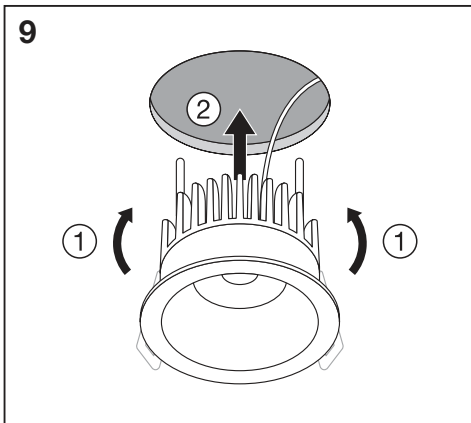
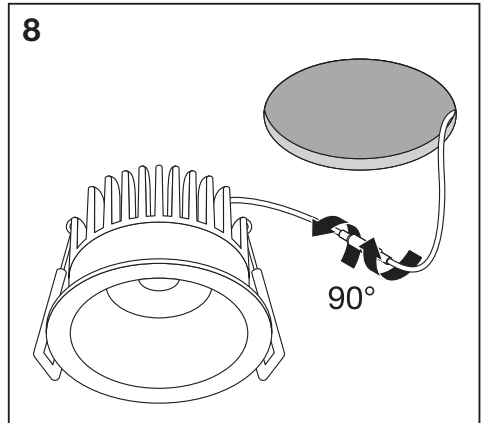
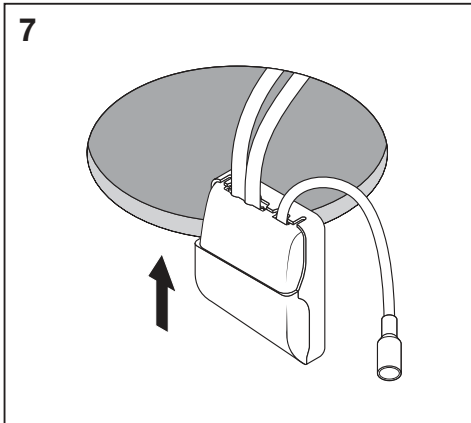
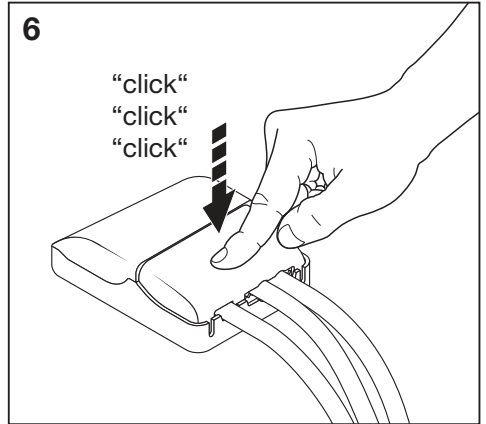


C10	B16	C16
n=336	n=336	n=210

**5**



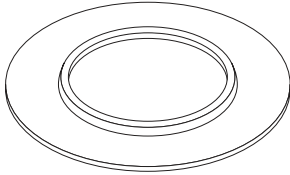
	✓	✓	✓	○
Current (CC)	85mA	140mA	180mA	85mA
Power	4W	6W	8W	4W
% rated lumen	50%	80%	100%	50%



**SP RING D133**

EAN 4099854013355 (WHITE)

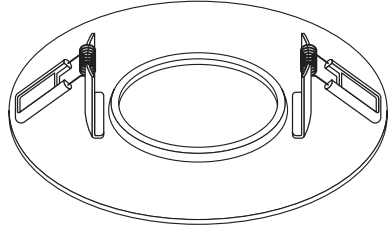
EAN 4099854013386 (BLACK)



**SP RING D180**

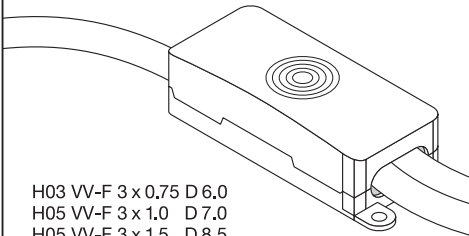
EAN 4099854013416 (WHITE)

EAN 4099854013447 (BLACK)



**CONNECTOR BOX 3 POLE**

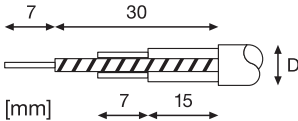
EAN 4099854013508



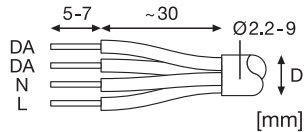
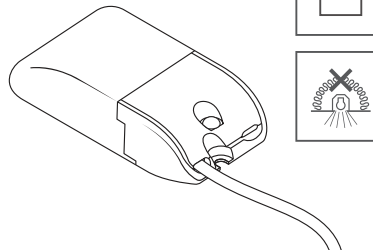
H03 VV-F 3 x 0,75 D 6,0

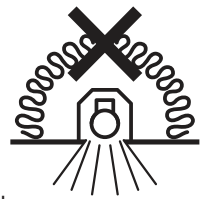
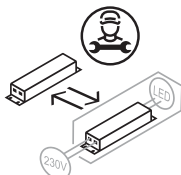
H05 VV-F 3 x 1,0 D 7,0

H05 VV-F 3 x 1,5 D 8,5



**SP DRIVER DALI  
PLANNED**





**FR**  
**Cet appareil et ses accessoires se recyclent**

À DÉPOSER EN MAGASIN  
 À DÉPOSER EN DÉCHÈTERIE

OU

Points de collecte sur [www.quefairedemesdechets.fr](http://www.quefairedemesdechets.fr)



LEDVANCE GmbH  
 Steinerne Furt 62  
 86167 Augsburg, Germany  
[www.ledvance.com](http://www.ledvance.com)

C10449058  
 G11146531  
 22.07.22

© LEDVANCE Ltd, Aquila House  
 Delta Crescent, Westbrook, Warrington  
 WA5 7NR, United Kingdom