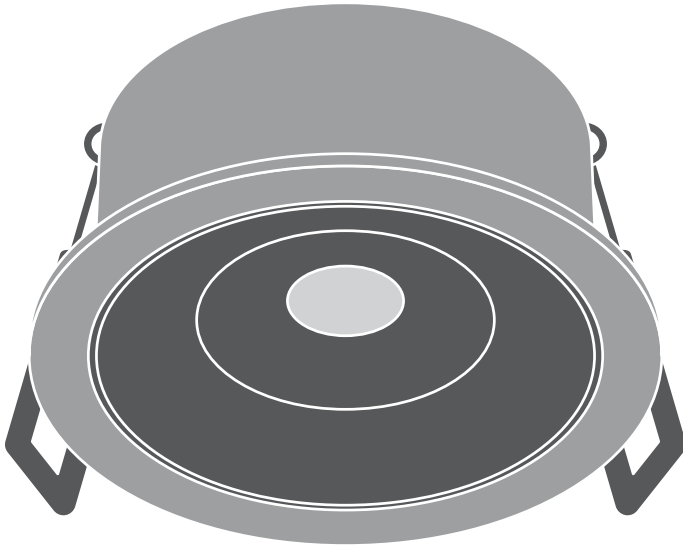







---

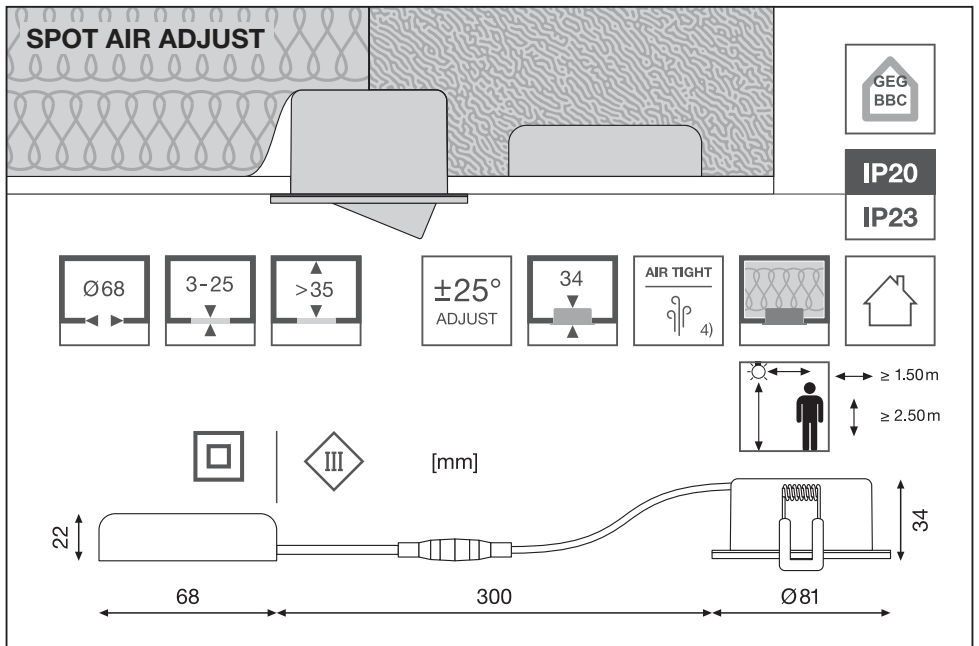
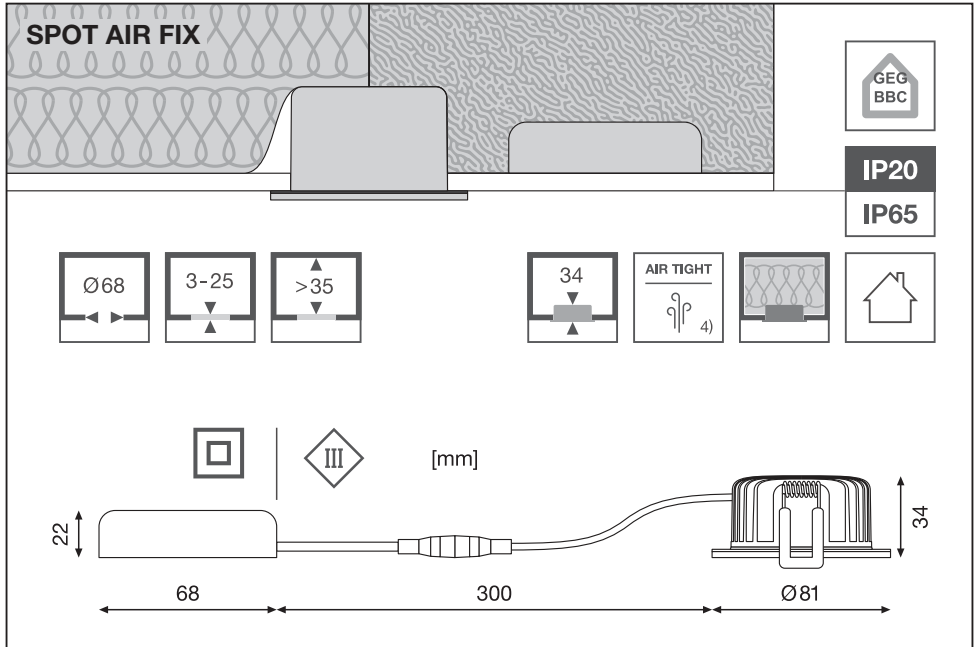
**SPOT AIR FIX**  
**SPOT AIR ADJUST**

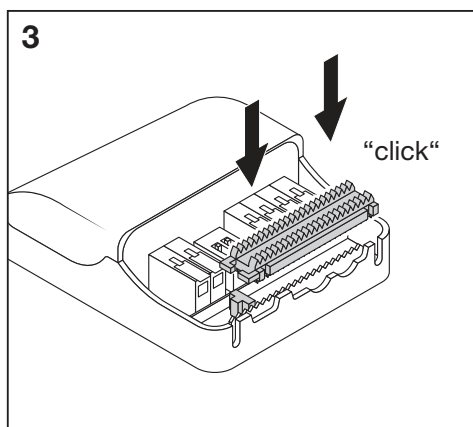
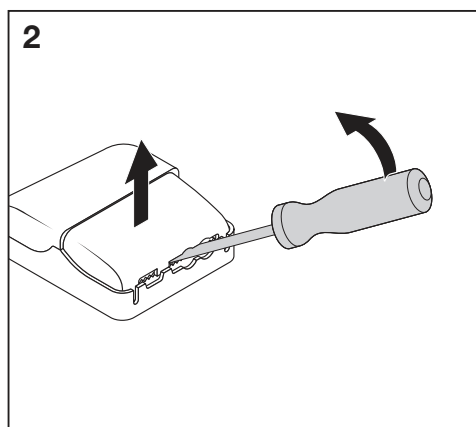
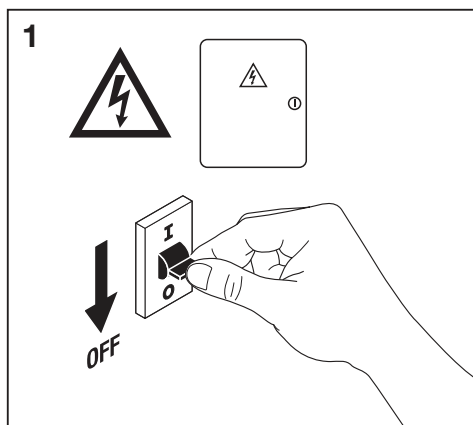
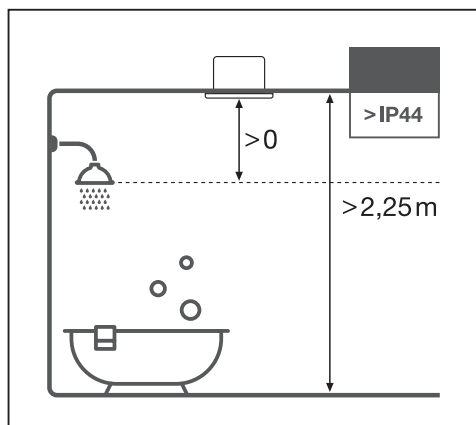
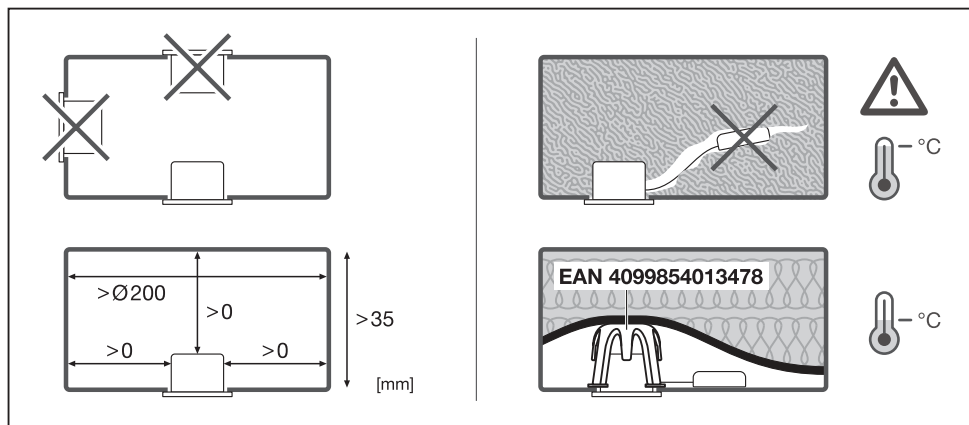
---



	EAN	W	Hz	PF	lm	lm/W	K	R <sub>a</sub>	
SP AIR FIX P 6W 927 PS DIM IP65 WT	4058075799905	6	50/60 Hz	> 0.9	480	80	2700	90	36°
SP AIR FIX P 6W 930 PS DIM IP65 WT	4058075799929	6	50/60 Hz	> 0.9	510	85	3000	90	36°
SP AIR FIX P 6W 940 PS DIM IP65 WT	4058075799943	6	50/60 Hz	> 0.9	570	95	4000	90	36°
SP AIR FIX P 6W 927 PS DIM IP65 BK	4099854000188	6	50/60 Hz	> 0.9	480	80	2700	90	36°
SP AIR FIX P 6W 930 PS DIM IP65 BK	4058075799967	6	50/60 Hz	> 0.9	510	85	3000	90	36°
SP AIR FIX P 6W 930 PS DIM IP65 SI	4058075799981	6	50/60 Hz	> 0.9	510	85	3000	90	36°
SP AIR ADJ P 4W 927 DIM IP23 WT	4099854000003	4	50/60 Hz	> 0.8	300	75	2700	90	36°
SP AIR ADJ P 4W 930 DIM IP23 WT	4099854000041	4	50/60 Hz	> 0.8	320	80	3000	90	36°
SP AIR ADJ P 4W 940 DIM IP23 WT	4099854000065	4	50/60 Hz	> 0.8	340	85	4000	90	36°
SP AIR ADJ P 4W 927 DIM IP23 BK	4099854000201	4	50/60 Hz	> 0.8	300	75	2700	90	36°
SP AIR ADJ P 4W 930 DIM IP23 BK	4099854000089	4	50/60 Hz	> 0.8	320	80	3000	90	36°
SP AIR ADJ P 4W 930 DIM IP23 SI	4099854000102	4	50/60 Hz	> 0.8	320	80	3000	90	36°

	EAN	 CC mA	 V <sub>DC</sub>	IP	IK	Ø x h [mm]		 (°C)
SP AIR FIX P 6W 927 PS DIM IP65 WT	4058075799905	140	30-40	65/20	05	81x34	0.3 kg	-20...+40
SP AIR FIX P 6W 930 PS DIM IP65 WT	4058075799929	140	30-40	65/20	05	81x34	0.3 kg	-20...+40
SP AIR FIX P 6W 940 PS DIM IP65 WT	4058075799943	140	30-40	65/20	05	81x34	0.3 kg	-20...+40
SP AIR FIX P 6W 927 PS DIM IP65 BK	4099854000188	140	30-40	65/20	05	81x34	0.3 kg	-20...+40
SP AIR FIX P 6W 930 PS DIM IP65 BK	4058075799967	140	30-40	65/20	05	81x34	0.3 kg	-20...+40
SP AIR FIX P 6W 930 PS DIM IP65 SI	4058075799981	140	30-40	65/20	05	81x34	0.3 kg	-20...+40
SP AIR ADJ P 4W 927 DIM IP23 WT	4099854000003	85	30-40	23/20	03	81x34	0.2 kg	-20...+40
SP AIR ADJ P 4W 930 DIM IP23 WT	4099854000041	85	30-40	23/20	03	81x34	0.2 kg	-20...+40
SP AIR ADJ P 4W 940 DIM IP23 WT	4099854000065	85	30-40	23/20	03	81x34	0.2 kg	-20...+40
SP AIR ADJ P 4W 927 DIM IP23 BK	4099854000201	85	30-40	23/20	03	81x34	0.2 kg	-20...+40
SP AIR ADJ P 4W 930 DIM IP23 BK	4099854000089	85	30-40	23/20	03	81x34	0.2 kg	-20...+40
SP AIR ADJ P 4W 930 DIM IP23 SI	4099854000102	85	30-40	23/20	03	81x34	0.2 kg	-20...+40

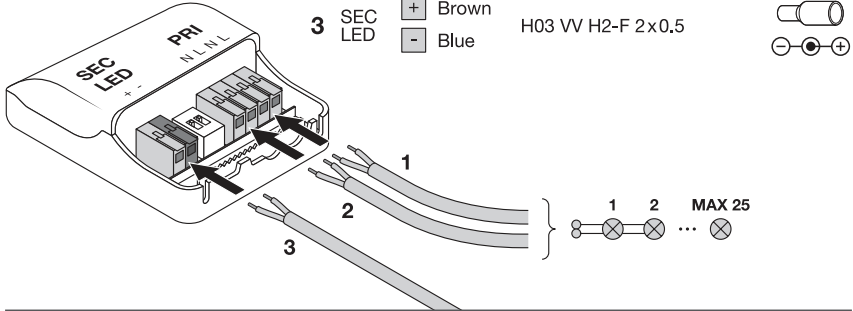




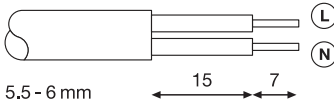
4

- 1 N Blue H03 VV-F 2x0.75 D5.5
- 2 PRI L Brown H03 VV-F 2x1.0 D6.0
- H03 VV-F 2x1.5 D7.5

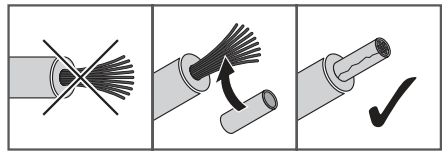
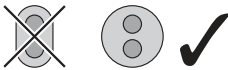
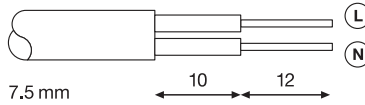
- 3 SEC LED + Brown H03 VV H2-F 2x0.5
- Blue



H03 VV-F 2 x 0.75 D 5.5  
H05 VV-F 2 x 1.0 D 6.0



H05 VV-F 2 x 1.5 D 7.5

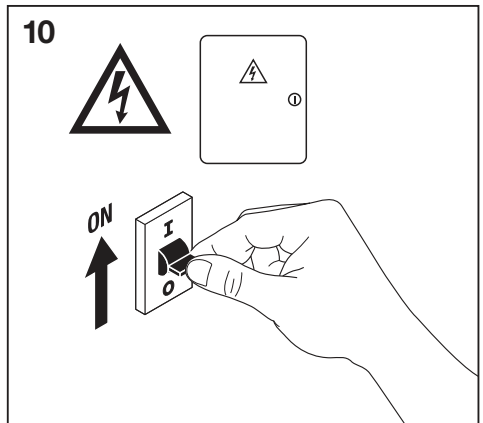
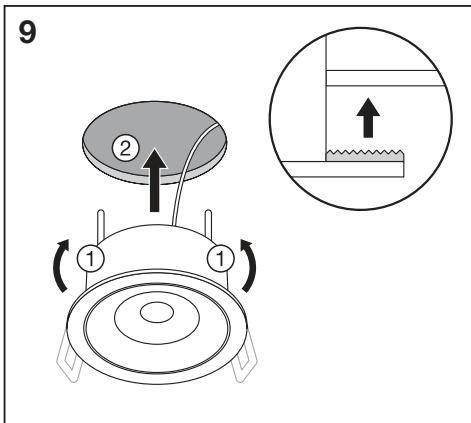
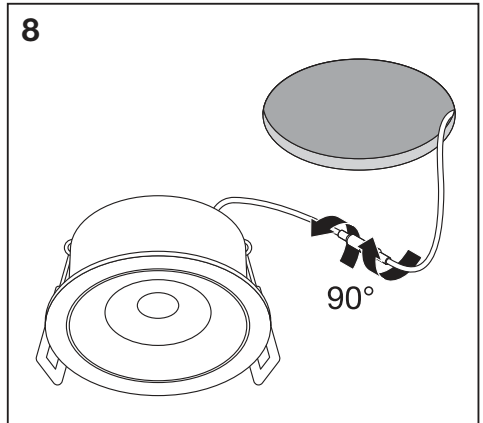
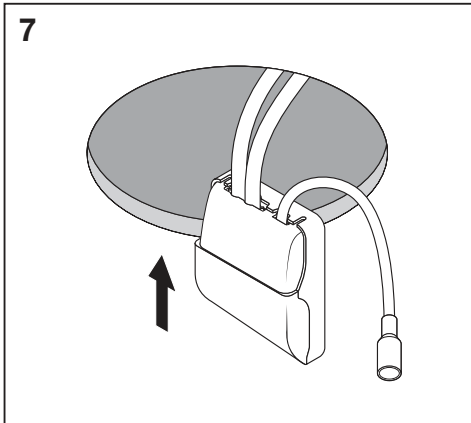
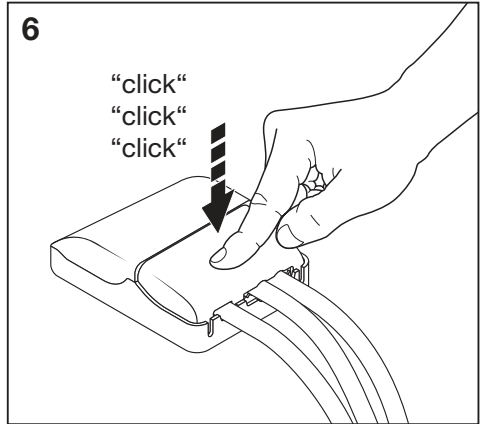


	C10	B16	C16
<b>Spot Air Fix P 6 W</b>	n=285	n=376	n=457
<b>Spot Air Adjust P 4 W</b>	n=300	n=376	n=480

**5**

SP AIR FIX	✓	✓	✗	○
		Preset		
SP AIR ADJUST	✓	✗	✗	○
		Preset		

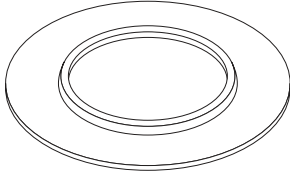
Current (CC)	85mA	140mA	180mA	85mA
Power	4W	6W	8W	4W
% rated lumen FIX	80%	100%	130%	80%
% rated lumen ADJ	100%	130%	200%	100%



**SP RING D133**

EAN 4099854013355 (WHITE)

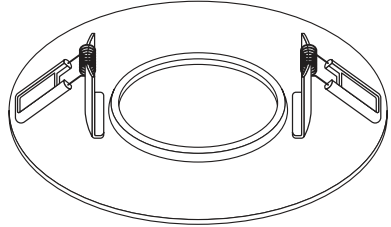
EAN 4099854013386 (BLACK)



**SP RING D180**

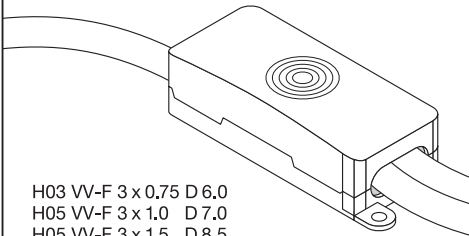
EAN 4099854013416 (WHITE)

EAN 4099854013447 (BLACK)



**CONNECTOR BOX 3 POLE**

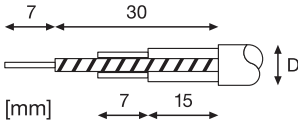
EAN 4099854013508



H03 VV-F 3 x 0,75 D 6,0

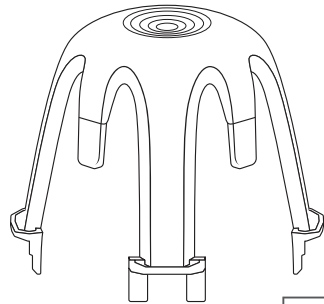
H05 VV-F 3 x 1,0 D 7,0

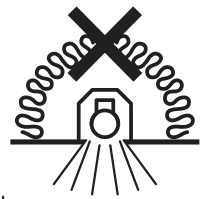
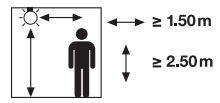
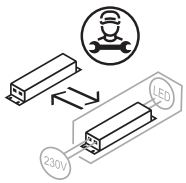
H05 VV-F 3 x 1,5 D 8,5



**SP HOLDER DN68 H65**

EAN 4099854013478





FR

Cet appareil et ses accessoires se recyclent

À DÉPOSER EN MAGASIN

À DÉPOSER EN DÉCHÈTERIE



OU

Points de collecte sur [www.quefairedemesdechets.fr](http://www.quefairedemesdechets.fr)



LEDVANCE GmbH  
Steinerne Furt 62  
86167 Augsburg, Germany  
[www.ledvance.com](http://www.ledvance.com)

C10449058

G11146532

22.07.22

© LEDVANCE Ltd, Aquila House  
Delta Crescent, Westbrook, Warrington  
WA5 7NR, United Kingdom