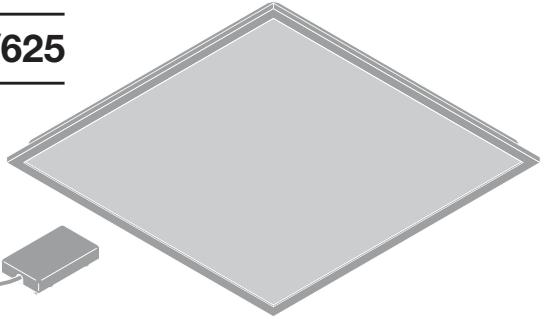
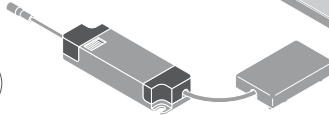


PANEL COMFORT 600/625



(PL CMFT 600)



	EAN	l x w x h [mm]	W	V _{AC}	Hz	lm	lm/W	K
PL CMFT 600 P 28W 830 PS	4099854014192	595x595x32	28	220-240V	50/60	*	130	3000
PL CMFT 600 P 28W 840 PS	4099854014215	595x595x32	28	220-240V	50/60	*	130	4000
PL CMFT 600 P 28W 830 U19 PS	4099854014604	595x595x32	28	220-240V	50/60	*	130	3000
PL CMFT 600 P 28W 840 U19 PS	4099854014628	595x595x32	28	220-240V	50/60	*	130	4000
PL CMFT 600 P 33W 830 PS	4099854014864	595x595x32	33	220-240V	50/60	*	130	3000
PL CMFT 600 P 33W 840 PS	4099854014888	595x595x32	33	220-240V	50/60	*	130	4000
PL CMFT 600 P 33W 865 PS	4099854014901	595x595x32	33	220-240V	50/60	*	130	6500
PL CMFT 600 P 33W 830 U19 PS	4099854015090	595x595x32	33	220-240V	50/60	*	130	3000
PL CMFT 600 P 33W 840 U19 PS	4099854015113	595x595x32	33	220-240V	50/60	*	130	4000
PL CMFT 600 P 33W 865 U19 PS	4099854015137	595x595x32	33	220-240V	50/60	*	130	6500
PL CMFT 625 P 28W 830 PS	4099854014253	620x620x32	28	220-240V	50/60	*	130	3000
PL CMFT 625 P 28W 840 PS	4099854014277	620x620x32	28	220-240V	50/60	*	130	4000
PL CMFT 625 P 28W 830 U19 PS	4099854014376	620x620x32	28	220-240V	50/60	*	130	3000
PL CMFT 625 P 28W 840 U19 PS	4099854014413	620x620x32	28	220-240V	50/60	*	130	4000
PL CMFT 625 P 33W 830 PS	4099854014642	620x620x32	33	220-240V	50/60	*	130	3000
PL CMFT 625 P 33W 840 PS	4099854014666	620x620x32	33	220-240V	50/60	*	130	4000
PL CMFT 625 P 33W 830 U19 PS	4099854014529	620x620x32	33	220-240V	50/60	*	130	3000
PL CMFT 625 P 33W 840 U19 PS	4099854014543	620x620x32	33	220-240V	50/60	*	130	4000
PL CMFT 625 P 33W 865 U19 PS	4099854014567	620x620x32	33	220-240V	50/60	*	130	6500

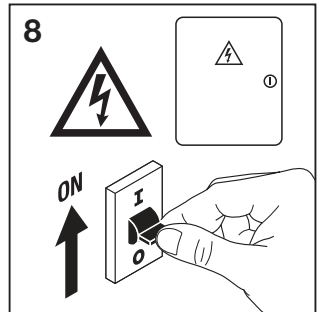
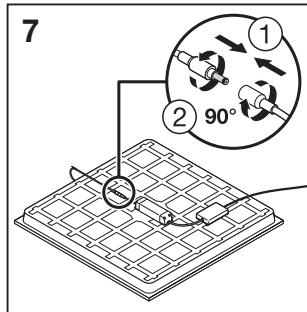
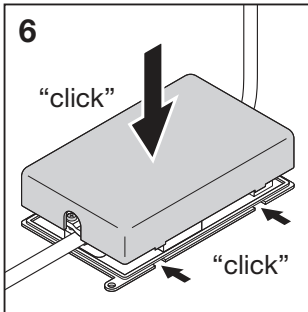
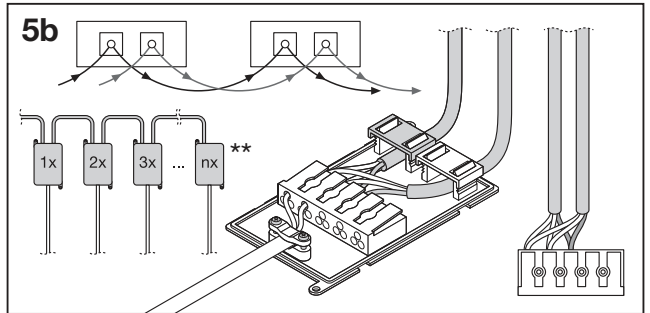
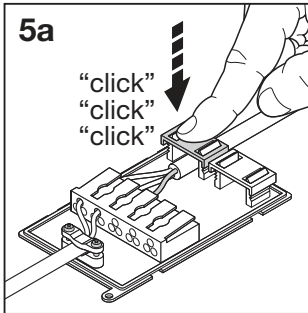
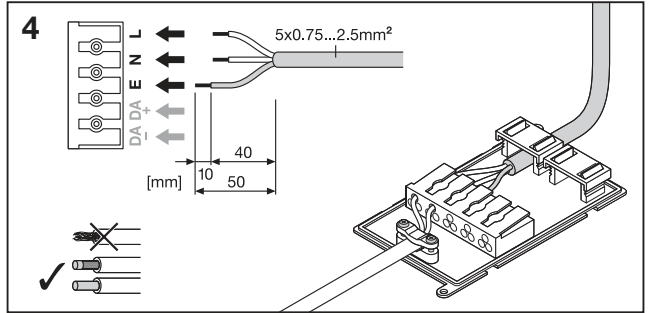
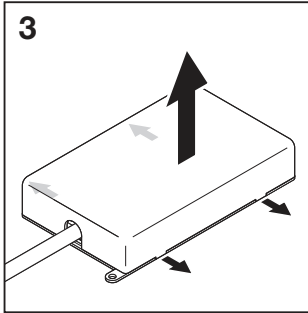
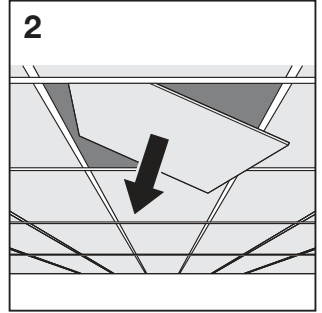
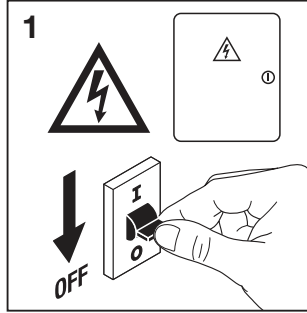
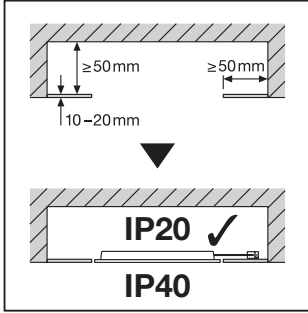
	EAN	IP	IK	∠	R _a	∅ (°C)	PF	⊞
PL CMFT 600 P 28W 830 PS	4099854014192	40/20	02	110°	> 80	-10...+50	> 0.9	1.7kg
PL CMFT 600 P 28W 840 PS	4099854014215	40/20	02	110°	> 80	-10...+50	> 0.9	1.7kg
PL CMFT 600 P 28W 830 U19 PS	4099854014604	40/20	02	90°	> 80	-10...+50	> 0.9	1.8kg
PL CMFT 600 P 28W 840 U19 PS	4099854014628	40/20	02	90°	> 80	-10...+50	> 0.9	1.8kg
PL CMFT 600 P 33W 830 PS	4099854014864	40/20	02	110°	> 80	-10...+50	> 0.9	1.7kg
PL CMFT 600 P 33W 840 PS	4099854014888	40/20	02	110°	> 80	-10...+50	> 0.9	1.7kg
PL CMFT 600 P 33W 865 PS	4099854014901	40/20	02	110°	> 80	-10...+50	> 0.9	1.7kg
PL CMFT 600 P 33W 830 U19 PS	4099854015090	40/20	02	90°	> 80	-10...+50	> 0.9	1.8kg
PL CMFT 600 P 33W 840 U19 PS	4099854015113	40/20	02	90°	> 80	-10...+50	> 0.9	1.8kg
PL CMFT 600 P 33W 865 U19 PS	4099854015137	40/20	02	90°	> 80	-10...+50	> 0.9	1.8kg
PL CMFT 625 P 28W 830 PS	4099854014253	40/20	02	110°	> 80	-10...+50	> 0.9	2.0kg
PL CMFT 625 P 28W 840 PS	4099854014277	40/20	02	110°	> 80	-10...+50	> 0.9	2.0kg
PL CMFT 625 P 28W 830 U19 PS	4099854014376	40/20	02	90°	> 80	-10...+50	> 0.9	2.1kg
PL CMFT 625 P 28W 840 U19 PS	4099854014413	40/20	02	90°	> 80	-10...+50	> 0.9	2.1kg
PL CMFT 625 P 33W 830 PS	4099854014642	40/20	02	110°	> 80	-10...+50	> 0.9	2.1kg
PL CMFT 625 P 33W 840 PS	4099854014666	40/20	02	110°	> 80	-10...+50	> 0.9	2.1kg
PL CMFT 625 P 33W 830 U19 PS	4099854014529	40/20	02	90°	> 80	-10...+50	> 0.9	2.2kg
PL CMFT 625 P 33W 840 U19 PS	4099854014543	40/20	02	90°	> 80	-10...+50	> 0.9	2.2kg
PL CMFT 625 P 33W 865 U19 PS	4099854014567	40/20	02	90°	> 80	-10...+50	> 0.9	2.2kg

* **33W**

W AC	33W	30W	28W
lm	4320lm	3900lm	3640lm

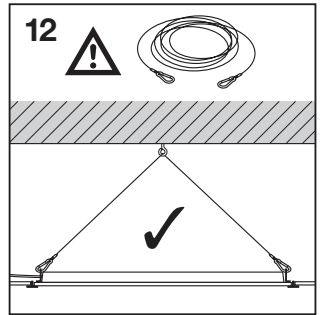
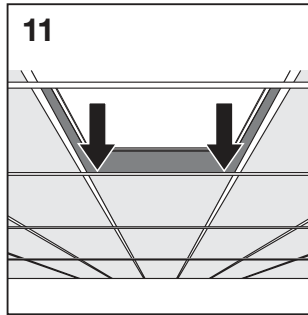
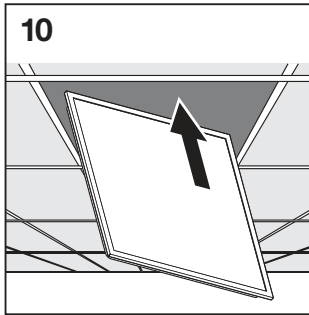
* **28W**

W AC	28W	25W	22W
lm	3640lm	3250lm	2900lm



9

PS-Power Select	PANEL CMFT 33W			PANEL CMFT 28W		
W AC	33	30	28	28	25	22
lm	4320	3900	3640	3640	3250	2900



SUSPENSION KIT
EAN 4058075402928

RECESSED MOUNT CLIPS VALUE
EAN 4058075409859

4x

8x ✓

8x ✗

Panel 600: 575mm
Panel 625: 600mm

Panel 600: 575mm
Panel 625: 600mm

1

2

3

4

