



Low Voltage Switches

Enclosed switches and fusegear
Enclosed switch-disconnectors,
change-over switches and switch fuses

Enclosed switch-disconnectors, change-over switches and switch fuses

Contents

| | |
|----|--|
| 4 | Product overview, features |
| 8 | Technical data |
| 12 | Enclosed switch-disconnectors, ordering information |
| 12 | Plastic enclosed, IP65 |
| 12 | Side and front operated / 2-, 3-, 4- and 6-pole |
| 18 | Red-yellow / Side and front operated / 3-, 4- and 6-pole |
| 22 | Red-yellow / DC solar switches / 2-pole |
| 23 | Steel sheet enclosed |
| 23 | Front operated, IP65 / 3-, 4- and 6-pole |
| 28 | Front operated, IP54 / 3- and 4-pole |
| 30 | Red-yellow / Front operated, IP65 / 3-, 4- and 6-pole |
| 32 | Stainless steel sheet enclosed, IP65 |
| 32 | Front operated / 3-, 4- and 6-pole |
| 34 | Red-yellow / Front operated / 3-, 4- and 6-pole |
| 36 | Aluminum enclosed, IP65 |
| 36 | Side and front operated / 2-, 3- and 4-pole |
| 39 | Fireman's switch / 2-, 3- and 4-pole |
| 40 | Enclosed change-over switches, ordering information |
| 40 | Steel sheet enclosed, IP54 |
| 40 | Front operated / 3- and 4-pole |
| 41 | Enclosed switch fuses, ordering information |
| 41 | Plastic enclosed, IP65 |
| 41 | BS and DIN-type / 3- and 4-pole |
| 43 | Steel sheet enclosed, IP54, IP65 |
| 43 | BS and DIN-type / 2-, 3- and 4-pole |
| 48 | Accessories, selection overview |
| 50 | Accessories, ordering information |
| 58 | Dimension drawings |
| 67 | Auxiliary contacts / enclosed switches |
| 71 | Index |

Enclosed switches from 16 to 1600 Amperes

Enclosed switch-disconnectors from 16 to 1600 Amperes

Enclosed change-over switches from 16 to 800 Amperes

Enclosed switch fuses from 20 to 800 Amperes

Plastic

IP65

Black / red-yellow handle types



| | | Side operated | | | Front operated | |
|---|--------------------------|---------------|-------|-------------|----------------|------------|
| | | BW_16..._25 | BW_40 | BW625...640 | OTP16 | OTP16...32 |
| Switch-disconnectors | | | | | | |
| Rated operational current, AC22A, up to 690V | 2-pole [A] | 25* | 40* | | - | - |
| | 3-pole [A] | 16* 25* | 40* | | 16 | 25 40 |
| | 4-pole [A] | 25* | 40* | | - | 16 25 40 |
| | 6-pole [A] | - | - | 25* 40* | - | 16 25 40 |
| Switch fuses, BS / DIN -types | | | | | | |
| Rated operational current, AC22A, up to 690V | 3-pole, BS type [A] | | | | | |
| | 4-pole, BS type [A] | | | | | |
| | 3-, 4-pole, DIN type [A] | | | | | |

* 500V

Steel sheet

IP65, IP54

Black / red-yellow handle types



| | | Front operated | | | |
|---|--------------------------|----------------|----------------|----------------|--|
| | | OT16...63 | OT125 | OTL16...63 | |
| Switch-disconnectors | | | | | |
| Rated operational current, AC22A, up to 690V | 3-, 4-pole [A] | 16 25 40 63 80 | 125 | 16 25 40 63 80 | |
| | 6-pole [A] | - | 16 25 40 63 80 | 16 25 40 | |
| Change-over switches | | | | | |
| Rated operational current, AC22A, up to 690V | 3-pole [A] | | 16 25 32 45 63 | | |
| | 4-pole [A] | | - | | |
| Switch fuses, BS / DIN -types | | | | | |
| Rated operational current, AC22A, up to 690V | 2-pole, BS type [A] | | - | | |
| | 3-, 4-pole, BS type [A] | | 20 32 | 20 32 | |
| | 3-, 4-pole, DIN type [A] | | - | | |

* 500V

Aluminum

IP65

Black / red handle types



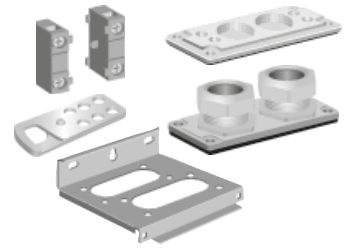
| | | Side operated | | Front operated |
|---|------------|---------------|--------|----------------|
| | | KSE_25 | KSE_40 | KSE_63..._125 |
| Switch-disconnectors | | | | |
| Rated operational current, AC22A, up to 500V | 2-pole [A] | 25 | 40 | - |
| | 3-pole [A] | 25 | 40 | 63 80 125 |
| | 4-pole [A] | 25 | 40 | 63 80 |

Accessories

Cable glands and entries

Auxiliary contacts

Padlock shackle



OTP45...63

OTP125

OT160...800

DC Solar switches

OTP16_MS

OTP16...32_MS

| | | | | | |
|-------|-----|-----------------------------|-----------|-----------|----|
| - | - | - | DC21A: 16 | DC21A: 16 | 32 |
| 63 80 | 125 | 160 200 250 315 400 570 720 | - | - | - |
| 63 80 | 125 | 160 200 250 315 400 570 720 | - | - | - |
| 45 63 | 125 | 160 200 250 315 400 570 720 | - | - | - |

OS32...400

OS32...400

| | |
|-------|---------------------------|
| 20 32 | 32* 63* 135* 200 315 400 |
| 20 32 | 32* 63* 100* 200 |
| - | 32* 63* 125* 135* 250 400 |



Stainless steel sheet

IP65
Black / red-yellow
handle types

OTL100...125

OT160...800

OTR16...63

OTR100...125

| | | | |
|---------|--|----------------|---------|
| 100 125 | 125 160 200 250 315 400 570 720 1000 1250 1600 | 16 25 40 63 80 | 100 125 |
| 63 80 | 125 160 200 250 315 400 570 720 | 16 25 40 | 63 80 |
| | 160 200 250 315 400 570 720 | | |
| | 160 200 250 315 400 570 720 | | |
| | 32* 63* 125* 135* 200 315 400 600 720 720 | | |
| | 20* 32* 63* 125* 135* 200 315 400 | | |
| | 32* 63* 125* 135* 250 400 600 720 | | |



Fireman's switch

KSE3160...3630

KSF_25

KSF_40

| | | |
|---------------------|----|----|
| - | 25 | - |
| 160 250 315 500 630 | 25 | 40 |
| - | 25 | 40 |

Complete range for various applications From 16 to 1600 Amperes, 690 V



Enclosed switches are designed and used as main switches for applications, which need to be isolated from the network. The range includes front operated and side operated switch disconnectors, switch fuses and change-over switches enclosed in plastic, steel sheet or stainless

steel sheet and aluminum enclosures. They are rated for utilization categories including disconnecting as well as making and breaking the load. In addition the switch fuses equipped with fuse links protects the application and the cables from overload currents and short circuits.

Plastic enclosures

The plastic enclosures are most suitable for locations with high chemical and moisture requirements. In addition they are light and easy to install and handle.

Steel sheet enclosures

The steel sheet enclosures are hot dip galvanized and the surface is polyester powder painted. The enclosures are durable and robust for various environments.

Stainless steel sheet enclosures

The stainless steel sheet enclosures are made of AISI 304 stainless steel. They are used particularly in the food and beverage industry and in locations where high hygiene is required. The smooth surface does not require any painting and is easy to clean.

Aluminum alloy enclosures

Aluminum enclosures have very good impact strength and protection against UV light. They are suitable both for indoor and outdoor use in medium to heavy-duty applications.

Safety for personnel – reliable position indication

- Padlocking in the OFF-position with one, three or six (with the shackle L6) padlocks against unintentional start-up. The handle cannot be padlocked in the OFF-position if one of the contacts is not in the OFF position.
- The cover cannot be removed if the handle is padlocked.
- Door interlock in the ON-position.
- Short circuit durability function: Expander washers in aluminium enclosures with $I_e > 160$ A and door locking release in large metal sheet enclosures.
- Door interlock defeatable with rectangular and pistol type handles.

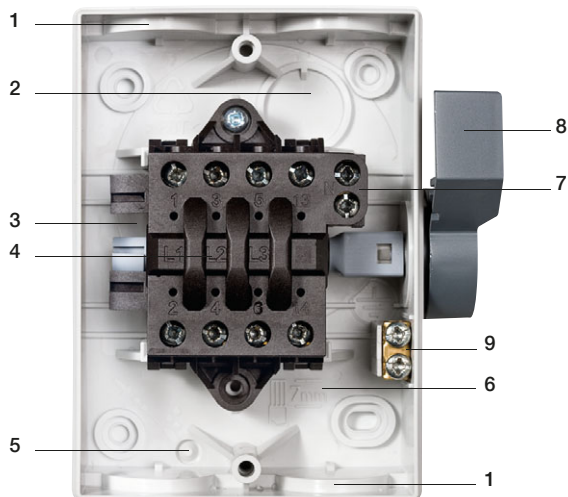
Plastic enclosed switch-disconnectors

Side operated, type BW

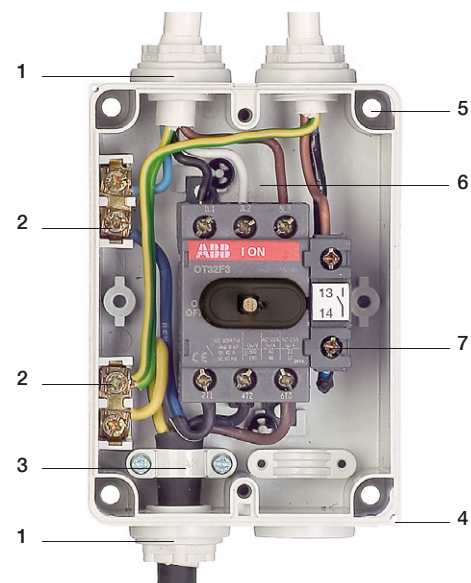
- Degree of protection: IP 65, IEC 60529
- Degree of protection without cover: IP 20
- Enclosure in PBT (Thermoplastic polyester) plastic, high impact strength and chemical resistant
- Flame class UL94 5VA, Glow wire 850° (IEC 60695-2-12)
- Resistance against UV-radiation: F 1, UL 746C
- Standard IEC 60947-3 for Switch-disconnectors
- European Standard EN60204 Safety of machinery
- Cable outlets M sized threaded knock-outs
- 2-, 3-, 4- and 6-pole versions
- Light grey/dark grey enclosure with grey handle
- Yellow enclosure have red handle
- Handle indication I-0/ON-OFF
- Suitable for 3-, 4- and 5-wire systems

Front operated, type OTP

- Degree of protection: IP 65, IEC 60529
- Degree of protection without cover: IP 20, IEC 60529
- Self-extinguishing plastic: UL94 V0
- Resistance against UV-radiation: F 1, UL 746C
- Standard IEC 60947-3 for Switch-disconnectors
- European Standard EN60204 Safety of machinery
- Cable outlets M or Pg sized threaded knock-outs
- Also blank gland plates available
- 3-, 4- and 6-pole versions
- Black or red-yellow handle
- Handle indication I-0/ON-OFF
- Suitable for 4- and 5-wire systems



1 Metric threaded knockouts, IP 54 cable glands sealing plugs included | 2 Knockout in the back of the box | 3 Space for auxiliary contacts, (N.O./N.C.) | 4 Handle, axis and switch insert is one system factory assembled. Switch insert UL94 V0 and glow wire 960° (IEC 60965-2-12) | 5 Knockout for ventilation / Water drain holes | 6 Cable strip length | 7 Isolated neutral terminal with separate in/out connection | 8 Handle padlockable in "O" position as standard. Knockout for padlock in "I" position. Shackle for 6 padlocks | 9 PE-terminal



1 Knock-out openings for M or Pg threads on the top and bottom, separate threaded knock-out opening for control wires in enclosure sizes width 130 mm and larger | 2 Terminals for 5-wire system: three phases + N + PE terminals | 3 Pull stoppers for two cables in 16 A enclosed switches | 4 Provision for sealing of the lid | 5 Enclosure mounting screws isolated from the inside housing | 6 Knock-out opening on the base for incoming cables | 7 Space for auxiliary contacts, (N.O./N.C.) (to be ordered separately)

Technical data

Enclosed switch-disconnectors

Enclosed switch-disconnectors, types OTP, OT, OTL and OTR, enclosed change-over switches, types

Technical data according to IEC60529 and IEC 60947-3

| | | | OT_ 16 | OT_ 25 | OT_ 32 | OT_ 45* | OT_ 63* | OT_ 100 | OT_ 125_ |
|--|------------------|-----------------|-----------|-----------|-----------|------------|------------|------------|-------------|
| Type/size | | | | | | | | | |
| Rated insulation voltage | V | | 750 | 750 | 750 | 750 | 750 | 750 | 750 |
| Rated thermal current and rated operational current AC20/DC20 | 40°C | A | 25 | 32 | 40 | 63 | 80 | 115 | 125 |
| Rated operational current, AC-21A and AC-22A | 60°C | A | 20 | 25 | 32 | 50 | 63 | 80 | 100 |
| | 400V | A | 16 | 25 | 40 | 63 | 80 | 100 | 125 |
| | up to 500V | A | 16 | 25 | 40 | 63 | 80 | 100 | 125 |
| | 690V | A | 16 | 25 | 40 | 63 | 80 | 100 | 125 |
| Rated operational current, AC-23A | up to 415V | A | 16 | 20 | 23 | 45 | 63 | 80 | 90 |
| | 440V | A | 16 | 20 | 23 | 45 | 63 | 65 | 78 |
| | 500V | A | 16 | 20 | 23 | 45 | 58 | 60 | 70 |
| | 690V | A | 10 | 11 | 12 | 20 | 20 | 40 | 50 |
| Rated conditional short-circuit current r.m.s and corresponding cut-off current of the fuse in single-phase test according to IEC60269 | 50kA, 415V | kA | 6.5 | 6.5 | 6.5 | 13 | 13 | 16.5 | 18 |
| | Fuse size: gG/aM | A | 40/32 | 40/32 | 40/32 | 100/80 | 100/80 | 125/125 | 125/100 |
| | 50kA, 690V | kA | 4 | 4 | 4 | 11 | 11 | 10 | 12 |
| | Fuse size: gG/aM | A | 25/16 | 25/16 | 25/16 | 80/63 | 80/63 | 63/63 | 125/100 |
| Cu-wire size suitable for terminal | | mm ² | 0.75-10 | 0.75-10 | 0.75-10** | 1.5-25** | 1.5-25** | 10-70 | 10-70 |
| Terminal bolt size | | | | | | | | | |
| Used switch type | | | OT16_ | OT25_ | OT32_ | OT45_ | OT63_ | OT100_ | OT125F_ |

* Lower ratings on plastic 6-pole versions. See ordering information.

** Please note the maximum diameter of the cable is limited by the cable outlets. See the extension adapters in ordering information of accessories.

*** Change-over switches, types OT160ELAA3C/_4C

Enclosed switch-disconnectors, types BW, KSE and KSF

Technical data according to IEC60529 and IEC 60947-3

| | | | BW KSE KSF | BW KSE KSF | BW KSE KSF |
|--|------------------|-----------------|------------------|------------------|------------------|
| Type/size | | | _16 | _25 | 240 _40 |
| Rated insulation voltage | V | | 690 | 690 | 690 |
| Rated thermal current and rated operational current AC20/DC20 | 40°C | A | 16 | 25 | 40 |
| Rated operational current, AC-21A and AC-22A | 60°C | A | | | |
| | 400V | A | 16 | 25 | 40 |
| | 500V | A | 16 | 25 | 40 |
| | 690V | A | 16 | 16 | 32 |
| Rated operational current, AC-23A | 400V | A | 16 | 16 | 32 |
| | 440V | A | 16 | 16 | 25 |
| | 500V | A | 10 | 16 | 25 |
| | 690V | A | 10 | 10 | 16 |
| Rated conditional short-circuit current r.m.s and corresponding cut-off current of the fuse in single-phase test according to IEC60269 | 25kA, 500V | kA | 4.8 | 4.8 | 4.8 |
| | 50kA, 415V | kA | | | |
| | Fuse size: gG/aM | A | 50/50 | 50/50 | 50/50 |
| | 50kA, 690V | kA | | | |
| | Fuse size: gG/aM | A | | | |
| Cu-wire size suitable for terminal | | mm ² | 1.5-4 | 1.5-4 | 2.5-10 |
| Terminal bolt size | | | | | |

| OT | OT | OT_C*** | OT | OT | OT | OT | OT | OT | OT | OT | OT | OT |
|---------|---------|---------|---------|---------|---------|---------|----------|----------|---------|---------|---------|----|
| 125A | 160 | 160 | 200 | 250 | 315 | 400 | 630 | 800 | 1000 | 1250 | 1600 | |
| 750 | 750 | 1000 | 1000 | 1000 | 1000 | 1000 | 1000 | 1000 | 690 | 690 | 690 | |
| 135 | 160 | 160 | 200 | 250 | 315 | 400 | 570 | 720 | 1000 | 1250 | 1600 | |
| 125 | 125 | 160 | 200 | 250 | 315 | 320 | 460 | 580 | 900 | 1000 | 1250 | |
| 125 | 160 | 160 | 200 | 250 | 315 | 400 | 570 | 720 | 1000 | 1250 | 1600 | |
| 125 | 160 | 160 | 200 | 250 | 315 | 400 | 570 | 720 | 1000 | 1250 | 1600 | |
| 125 | 160 | 160 | 200 | 250 | 315 | 400 | 570 | 720 | 1000 | 1250 | 1600 | |
| 105 | 135 | 160 | 200 | 250 | 315 | 400 | 570 | 720 | 1000 | 1250 | 1250 | |
| 90 | 125 | 160 | 200 | 250 | 315 | 400 | 570 | 720 | 1000 | 1250 | 1250 | |
| 70 | 125 | 160 | 200 | 250 | 315 | 400 | 570 | 720 | 1000 | 1250 | 1250 | |
| 50 | 80 | 160 | 200 | 250 | 315 | 400 | 570 | 720 | 1000 | 1250 | 1250 | |
| 24 | 24 | 35 | 35 | 35 | 50.5 | 50.5 | 71.5 | 71.5 | 105 | 105 | 105 | |
| 200/250 | 200/250 | 355/315 | 355/315 | 335/315 | 500/500 | 500/500 | 800/1000 | 800/1000 | | | | |
| 24 | 24 | 35 | 35 | 35 | 50.5 | 50.5 | 71.5 | 71.5 | 105 | 105 | 105 | |
| 200/250 | 200/250 | 355/315 | 355/315 | 355/315 | 500/500 | 500/500 | 800/1000 | 800/1000 | | | | |
| 10-70 | 10-70 | | | | | | | | | | | |
| | | M8x25 | M8x25 | M8x25 | M10/30 | M10/30 | M12/40 | M12/40 | M12/60 | M12/60 | M12/60 | |
| OT125A_ | OT160_ | OT160_C | OT200_ | OT250_ | OT315_ | OT400_ | OT630_ | OT800_ | OT1000_ | OT1250_ | OT1600_ | |

| KSE | KSE | KSE | KSE | KSE | KSE | KSE | KSE | KSE | KSE |
|--------|--------|---------|---------|---------|---------|---------|----------|-----|-----|
| _63 | _80 | _125 | _160 | _250 | _315 | _500 | _630 | | |
| 750 | 750 | 750 | 690 | 1000 | 1000 | 1000 | 1000 | | |
| 63 | 80 | 125 | 160 | 270 | 315 | 500 | 630 | | |
| 50 | 63 | 100 | | | | | | | |
| 63 | 80 | 125 | 160 | 250 | 315 | 500 | 630 | | |
| 63 | 80 | 125 | 160 | 250 | 315 | 500 | 630 | | |
| 63 | 80 | 125 | 160 | 250 | 315 | 500 | 630 | | |
| 63 | 75 | 90 | 125 | 250 | 315 | 500 | 630 | | |
| 63 | 65 | 78 | 125 | 250 | 315 | 500 | 580 | | |
| 45 | 58 | 70 | 90 | 250 | 315 | 500 | 580 | | |
| 20 | 20 | 50 | 70 | 250 | 315 | 350 | 350 | | |
| | | 18 | 24 | 35 | 50.5 | 50.5 | 71.5 | | |
| | | 125/100 | 200/250 | 335/315 | 500/500 | 500/500 | 800/1000 | | |
| | | 12 | 24 | 35 | 50.5 | 50.5 | 71.5 | | |
| | | 125/100 | 200/250 | 355/315 | 500/500 | 500/500 | 800/1000 | | |
| 1.5-35 | 1.5-35 | 10-70 | 10-70 | | | | | | |
| | | | | M8x25 | M10/30 | M10/30 | M12/40 | | |

Technical data

Enclosed switch-disconnectors (DC) and switch fuses

Enclosed switch-disconnectors, type OTP, DC rated switches

Technical data according to IEC 60947

| Type/size | | A | OTP16 | OTP32 |
|---|------------------------------------|------------|--------------------|--------|
| Rated insulation voltage | Pollution degree 2 | V | 800 | 800 |
| | Pollution degree 3 | V | 750 | 750 |
| Dielectric strength | 50 Hz 1min. | kV | 6 | 6 |
| Rated impulse withstand voltage | | kV | 8 | 8 |
| Rated thermal current and rated operational current | | | | |
| DC-20 | In enclosure 40°C | A | 25 | 32 |
| | In enclosure 60°C | A | 20 | 32 |
| Rated operational current / poles in series DC-21A | 220 V | A | 16/3 | 32/3 |
| | 550 V | A | 16/6 | 32/6 |
| | 750 V | A | 16/8 | 32/8 |
| | 800 V | A | 16/8 ¹⁾ | |
| Rated short-time withstand current, 690 V, 1 s | R.M.S. -value /cw | kA | 0.5 | 0.5 |
| Power loss / pole | At rated current | W | 0.3 | 0.6 |
| Mechanical endurance | Divide by two for operation cycles | Operations | 20 000 | 20 000 |

¹⁾ Category B, Pollution Degree 2

Enclosed switch fuses, type OS

Technical data according to IEC 60529 and IEC 60947-3

| Type/size | | | 20 | 32 | 32 | 63 |
|---|---------------------|----|----------|----------|----------|------------------|
| Rated insulation voltage | V | | 1000 | 1000 | 750 | 750 |
| Rated impulse withstand voltage | U _{imp} kV | | 12 | 12 | 12 | 12 |
| Rated thermal current in ambient | 40°C | A | 20 | 32 | 32 | 63 |
| | 60°C | A | 16 | 25 | 25 | 50 |
| Rated operational current, AC-22A | up to 500V | A | 20 | 32 | 32 | 63 |
| | 690V | A | 20 | 32 | - | 63 ¹⁾ |
| Rated operational current, AC-23A | up to 500V | A | 20 | 32 | 32 | 63 |
| | 690V | A | 20 | 32 | - | 40 ¹⁾ |
| Rated conditional short-circuit current r.m.s and corresponding max. allowed | 80 kA, 415V | kA | 9 | 9 | 10 | 12 |
| | 100kA, 500V | kA | 7.5 | 7.5 | 6 | 9 |
| cut-off current, peak-values ²⁾ | 50kA, 690V | kA | 6 | 6 | - | 8 |
| Fuse types, IEC 269-2 | DIN 43620 | | - | - | 00 | 00 |
| | BS 88 | | A1 | A1 | A2-A3 | A2-A3 |
| Max. fuse power dissipation | W | | 3 | 3.5 | 7.5 | 7.5 |
| Used switch fuse size/type OS, OESA | DIN-type: | | - | - | -00 -32_ | -00 -63_ |
| | BS-type: | | -20P_ | -32P_ | -32G_ | -63G_ |
| Cu-wire size suitable for terminal | mm ² | | 0.5...10 | 0.5...10 | 2.5...20 | 2.5...20 |
| Terminal bolt size | | | | | | |

¹⁾ Utilisation category B

²⁾ The cut-off currents refer to single phase fuse tests

| 125 | 160 | 200 | 250 | 315 | 400 | 630 | 800 |
|-------------------|-------------------|--------|--------|--------|--------|--------|--------|
| 750 | 750 | 1000 | 1000 | 1000 | 1000 | 1000 | 1000 |
| 12 | 12 | 12 | 12 | 12 | 12 | 12 | 12 |
| 125 | 135 | 200 | 250 | 315 | 400 | 600 | 720 |
| 100 | 108 | 160 | 200 | 250 | 320 | 480 | 570 |
| 125 | 135 | 200 | 250 | 315 | 400 | 600 | 720 |
| 125 ¹⁾ | 135 ¹⁾ | 200 | 250 | 315 | 400 | 600 | 720 |
| 100 | 100 | 200 | 250 | 315 | 400 | 600 | 720 |
| 50 ¹⁾ | 50 ¹⁾ | 200 | 250 | 315 | 400 | 600 | 720 |
| 23 | 23 | 35 | 40.5 | 44 | 59 | 75 | 75 |
| 17 | 17 | 37.5 | 37.5 | | 63.5 | 75 | 75 |
| 14 | 14 | 21 | 28 | 41 | 39 | 60 | 60 |
| 00 | 00 | - | 0-1 | - | 0-2 | 3 | 3 |
| A2-A4 | B1-B2 | B1-B2 | - | B1-B3 | B1-B4 | C1-C2 | C1-C3 |
| 12 | 9 | 22 | 23 | 32 | 34 | 45 | 55 |
| -00_ | -00 -160_ | - | -250D_ | - | -400D_ | -630D_ | -800D_ |
| -100G_ | -160B_ | -200B_ | - | -315B_ | -400B_ | -630B_ | -800B_ |
| M8x25 | M8x25 | M8x25 | M10x30 | M10x30 | M10x30 | M12x40 | M12x40 |

Ordering information

Plastic enclosed switch-disconnectors

BW225 DP
2CMC341011F0054



BW240 DP
2CMC341011F0056



BW225W/DP
2CMC341011F0062



2-pole side operated switch-disconnectors

Plastic enclosed, IP65

Enclosure in robust PBT plastic with metric threaded cable entries. Light grey box with dark grey cover and operating handle. Delivery includes PE terminal and membrane glands (IP54) / sealing plugs. For IP65 degree of protection compression glands must be used.

| Rated operational current [A] | | | | Cable sizes Up/Down | Enclosure size [mm] | | | Type | Order number | Weight [kg] |
|-------------------------------|---------------|---------------|-----------------------|------------------------|---------------------|----|------------|-------------------------------|--------------|-------------|
| AC22A 230V | AC22A 400V | AC23A 400V | | | W | H | D | | | |
| 25 | 25 | 16 | 2xM25/2xM25 | 111 | 130 | 60 | BW225 DP | 2CMA142400R1000 | 0.29 | |
| 25 | 25 | 16 | 2xM25/2xM25 | 111 | 130 | 60 | BW225 W/DP | 2CMA142401R1000 ¹⁾ | 0.29 | |
| 40 | 40 | 32 | 2xM32/ 2xM32+1xM16 | 138 | 168 | 68 | BW240 DP | 2CMA142407R1000 | 0.39 | |

¹⁾ Light grey cover for commercial/residential design

Ordering information

Plastic enclosed switch-disconnectors

BW316 TPN

BW325 TPN

2CMC341011F0054



BW325W/TPN

2CMC341011F0062



BW340 TPN

2CMC341011F0056



BW325K/TPN

2CMC341011F0072



BW325L/TPN

2CMC341011F0073



3-pole side operated switch-disconnectors

Plastic enclosed, IP65

Enclosure in robust PBT plastic with metric threaded cable entries. Light grey box with dark grey cover and operating handle. Delivery includes PE+neutral terminal and membrane glands (IP54) / sealing plugs. For IP65 degree of protection compression glands must be used.

| Rated operational current [A] | | | | | Cable sizes Up/Down | Enclosure size [mm] | | | Type | Order number | Weight [kg] |
|-------------------------------|------|-------|------|-----------------------|------------------------|---------------------|----|-------------|-------------------------------|--------------|-------------|
| AC22A | | AC23A | | W | | H | M | | | | |
| 400V | 500V | 690V | 500V | | | | | | | | |
| 16 | 16 | 10 | 10 | 2xM25/2xM25 | 111 | 130 | 60 | BW316 TPN | 2CMA142447R1000 | 0.31 | |
| 25 | 25 | 16 | 16 | 2xM25/2xM25 | 111 | 130 | 60 | BW325 TPN | 2CMA142403R1000 | 0.31 | |
| 25 | 25 | 16 | 16 | 2xM25/2xM25 | 111 | 130 | 60 | BW325 W/TPN | 2CMA142402R1000 ¹⁾ | 0.31 | |
| 40 | 40 | 32 | 25 | 2xM32/ 2xM32+1xM16 | 138 | 168 | 68 | BW340 TPN | 2CMA142408R1000 | 0.41 | |

¹⁾ Light grey cover for commercial/residential design

3-pole side operated switch-disconnectors

Plastic enclosed, IP65

Enclosure in robust PBT plastic with metric threaded cable entries. Light grey enclosure with dark grey operating handle. Delivery includes PE+neutral terminal and membrane glands (IP54) / sealing plugs. For IP65 degree of protection compression glands must be used.

| Rated operational current [A] | | | | | Cable sizes Up/Down | Enclosure size [mm] | | | Type | Order number | Weight [kg] |
|-------------------------------|------|-------|------|-------------|------------------------|---------------------|----|-------------|-------------------------------|--------------|-------------|
| AC22A | | AC23A | | W | | H | M | | | | |
| 400V | 500V | 690V | 400V | | | | | | | | |
| 25 | 25 | 16 | 16 | 2xM25/2xM25 | 111 | 130 | 60 | BW325 K/TPN | 2CMA142443R1000 | 0.31 | |
| 25 | | 16 | | 2xM25/2xM25 | 111 | 130 | 60 | BW325 L/TPN | 2CMA142404R1000 ²⁾ | 0.33 | |

²⁾ With indicator lamp

Ordering information

Plastic enclosed switch-disconnectors

BW425 TPSN
2CMC341011F0054



4-pole side operated switch-disconnectors

Plastic enclosed, IP65

Enclosure in robust PBT plastic with metric threaded cable entries. Light grey enclosure with dark grey operating handle. Delivery includes PE terminal and membrane glands (IP54) / sealing plugs. For IP65 degree of protection compression glands must be used.

BW440 TPSN
2CMC341011F0056



| Rated operational current [A] | | | | | Cable sizes Up/Down | Enclosure size [mm] | | | Type | Order number | Weight [kg] |
|-------------------------------|------|-------|------|-----------------------|------------------------|---------------------|----|------------|-----------------|--------------|-------------|
| AC22A | | AC23A | | | | W | H | M | | | |
| 400V | 500V | 690V | 500V | | | | | | | | |
| 25 | 25 | 16 | 16 | 2xM25/2xM25 | 111 | 130 | 60 | BW425 TPSN | 2CMA142405R1000 | 0.31 | |
| 40 | 40 | 32 | 25 | 2xM32/ 2xM32+1xM16 | 138 | 168 | 68 | BW440 TPSN | 2CMA142409R1000 | 0.33 | |

BW625 TPN, BW640 TPN
2CMC341011F0056



6-pole side operated switch-disconnectors

Plastic enclosed, IP65

Enclosure in robust PBT plastic with non-threaded cable entries. Light grey box with dark grey cover and operating handle. Delivery includes PE+neutral terminal and membrane glands (IP54). For IP65 degree of protection compression glands (with prolonged thread) must be used.

| Rated operational current [A] | | | | | Cable sizes Up/Down | Enclosure size [mm] | | | Type | Order number | Weight [kg] |
|-------------------------------|------|-------|------|-----------------------------|------------------------|---------------------|----|-----------|-----------------|--------------|-------------|
| AC22A | | AC23A | | | | W | H | M | | | |
| 400V | 500V | 690V | 500V | | | | | | | | |
| 25 | 25 | 16 | 16 | 2xØ25+1xØ16/ 2xØ25+1xØ16 | 190 | 130 | 65 | BW625 TPN | 2CMA142406R1000 | 0.31 | |
| 40 | 40 | 32 | 25 | 2xØ25+1xØ16/ 2xØ25+1xØ16 | 190 | 130 | 65 | BW640 TPN | 2CMA142410R1000 | 0.41 | |

Ordering information

Plastic enclosed switch-disconnectors

3-pole front operated switch-disconnectors

Plastic enclosed, IP65

OTP16B_
S00695A



OTP25B_, OTP32B_
S00764A



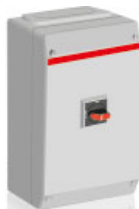
OT45B_, OTP63B_
S00762A



OTP125B3M
S02081A



OTP125B3B
S00692A



OTP125B3U
S00772A



OT160...800_
S00835



| Rated operational current [A] | | Cable outlets/ side | Enclosure size [mm] | | | Type | Order number | Weight [kg] |
|--|-------|------------------------|---------------------|-----|-----|-------------|-----------------|-------------|
| AC22A | AC23A | | W | H | D | | | |
| ≤690V | ≤415V | | | | | | | |
| Includes black round handle (1-0 and ON-OFF indication), N- and PE-terminals, two membrane cable glands and two pull stoppers. | | | | | | | | |
| 16 | 16 | 2xM20 | 85 | 120 | 60 | OTP16HB3M | 1SCA022401R2970 | 0.4 |
| 16 | 16 | 2xM25 | 85 | 120 | 60 | OTP16HB3M25 | 1SCA022699R3690 | 0.4 |
| 16 | 16 | 2xPg16 | 85 | 120 | 60 | OTP16HB3P | 1SCA022389R6700 | 0.4 |
| 16 | 16 | - | 85 | 120 | 60 | OTP16HB3U | 1SCA022401R3010 | 0.4 |
| Includes selector-type black handle (1-0 and ON-OFF indication), N- and PE-terminals, two membrane cable glands and two pull stoppers. | | | | | | | | |
| 16 | 16 | 2xM20 | 85 | 120 | 60 | OTP16B3M | 1SCA022383R2130 | 0.4 |
| 16 | 16 | 2xM25 | 85 | 120 | 60 | OTP16B3M25 | 1SCA022699R2880 | 0.4 |
| 16 | 16 | 2xPg16 | 85 | 120 | 60 | OTP16B3P | 1SCA022383R0940 | 0.4 |
| Includes selector-type black handle (1-0 and ON-OFF indication), N- and PE-terminals. Threaded knock-outs, compression glands have to be ordered separately. | | | | | | | | |
| 25 | 20 | 2xM25+M16 | 130 | 150 | 60 | OTP25B3M | 1SCA022383R2640 | 0.5 |
| 25 | 20 | 2xPg21+Pg11 | 130 | 150 | 60 | OTP25B3P | 1SCA022383R2560 | 0.5 |
| 40 | 23 | 2xM25+M16 | 130 | 150 | 60 | OTP32B3M | 1SCA022389R8400 | 0.8 |
| 40 | 23 | 2xPg21+Pg11 | 130 | 150 | 60 | OTP32B3P | 1SCA022389R7510 | 0.8 |
| 63 | 45 | 2xM32+M16 | 145 | 200 | 90 | OTP45B3M | 1SCA022383R3020 | 1.0 |
| 63 | 45 | 2xPg29+Pg11 | 145 | 200 | 90 | OTP45B3P | 1SCA022383R2990 | 1.0 |
| 80 | 63 | 2xM32+M16 | 145 | 200 | 90 | OTP63B3M | 1SCA022383R3450 | 1.0 |
| 80 | 63 | 2xPg29+Pg11 | 145 | 200 | 90 | OTP63B3P | 1SCA022383R3370 | 1.0 |
| 125 | 90 | 2xM50+M16 | 200 | 400 | 140 | OTP125B3M | 1SCA022812R7180 | 2.4 |
| Includes selector-type black handle (1-0 and ON-OFF indication), N- and PE-terminals. Knock-out flanges, flanges have to be ordered separately. | | | | | | | | |
| 125 | 90 | I-flange | 200 | 400 | 140 | OTP125B3B | 1SCA022383R3700 | 2.4 |
| 125 | 90 | - | 200 | 400 | 140 | OTP125B3U | 1SCA022401R3270 | 2.4 |
| Includes pistol-type black handle (1-0 and ON-OFF indication), N- and PE-terminals. Knock-out flanges, flanges have to be ordered separately. | | | | | | | | |
| 160 | 135 | II-flange | 280 | 380 | 130 | OT160EFCC3B | 1SCA022278R7030 | 5.4 |
| 200 | 200 | II-flange | 280 | 560 | 180 | OT200KFCC3B | 1SCA022278R1510 | 9.0 |
| 250 | 250 | II-flange | 280 | 560 | 180 | OT250KFCC3B | 1SCA022278R2150 | 9.0 |
| 315 | 315 | II-flange | 380 | 560 | 180 | OT315KFCC3B | 1SCA022278R2740 | 9.0 |
| 400 | 400 | II-flange | 380 | 840 | 180 | OT400DFCC3B | 1SCA022278R3390 | 16.0 |
| 570 | 570 | II-flange | 380 | 840 | 180 | OT630KFCC3B | 1SCA022278R3980 | 20.0 |
| 720 | 720 | 2xII-flange | 560 | 760 | 250 | OT800KFCC3B | 1SCA022303R0310 | 20.0 |

Ordering information

Plastic enclosed switch-disconnectors

OTP16B_, OTP25B_, OTP32B_
S00764A



4-pole front operated switch-disconnectors

Plastic enclosed, IP65

| Rated operational current [A] | | Cable outlets/ side | Enclosure size [mm] | | | Type | Order number | Weight [kg] |
|-------------------------------|----------------|------------------------|---------------------|---|---|------|--------------|-------------|
| AC22A ≤690V | AC23A ≤415V | | W | H | D | | | |

Includes selector-type black handle (I-0 and ON-OFF indication), N- and PE-terminals.

Threaded knock-outs, compression glands have to be ordered separately.

| | | | | | | | | |
|-----|----|-------------|-----|-----|-----|-----------|-----------------|-----|
| 16 | 16 | 2xM25+M16 | 130 | 150 | 60 | OTP16B4M | 1SCA022401R4160 | 0.5 |
| 16 | 16 | 2xPg21+Pg11 | 130 | 150 | 60 | OTP16B4P | 1SCA022419R8620 | 0.5 |
| 25 | 20 | 2xM25+M16 | 130 | 150 | 60 | OTP25B4M | 1SCA022401R4320 | 0.8 |
| 25 | 20 | 2xPg21+Pg11 | 130 | 150 | 60 | OTP25B4P | 1SCA022401R4240 | 0.8 |
| 40 | 23 | 2xM25+M16 | 130 | 150 | 60 | OTP32B4M | 1SCA022401R4590 | 0.8 |
| 40 | 23 | 2xPg21+Pg11 | 130 | 150 | 60 | OTP32B4P | 1SCA022401R4410 | 0.8 |
| 63 | 45 | 2xM32+M16 | 145 | 200 | 90 | OTP45B4M | 1SCA022401R4750 | 1.0 |
| 63 | 45 | 2xPg29+Pg11 | 145 | 200 | 90 | OTP45B4P | 1SCA022401R4670 | 1.0 |
| 80 | 63 | 2xM32+M16 | 145 | 200 | 90 | OTP63B4M | 1SCA022401R4910 | 1.0 |
| 80 | 63 | 2xPg29+Pg11 | 145 | 200 | 90 | OTP63B4P | 1SCA022401R4830 | 1.0 |
| 125 | 90 | 2xM50+M16 | 200 | 400 | 140 | OTP125B4M | 1SCA022812R7260 | 2.5 |

Includes selector-type black handle (I-0 and ON-OFF indication), N- and PE-terminals.

Knock-out flanges, flanges have to be ordered separately.

| | | | | | | | | |
|-----|----|----------|-----|-----|-----|-----------|-----------------|-----|
| 125 | 90 | I-flange | 200 | 400 | 140 | OTP125B4B | 1SCA022401R5210 | 2.5 |
| 125 | 90 | - | 200 | 400 | 140 | OTP125B4U | 1SCA022401R5300 | 2.5 |

Includes pistol-type black handle (O-I and ON-OFF indication), N- and PE-terminals.

Knock-out flanges, flanges have to be ordered separately.

| | | | | | | | | |
|-----|-----|-------------|-----|-----|-----|-------------|-----------------|------|
| 160 | 135 | II-flange | 280 | 380 | 130 | OT160EFCC4B | 1SCA022548R6620 | 5.4 |
| 200 | 200 | II-flange | 280 | 560 | 180 | OT200KFCC4B | 1SCA022530R4450 | 9.0 |
| 250 | 250 | II-flange | 280 | 560 | 180 | OT250KFCC4B | 1SCA022530R4530 | 9.0 |
| 315 | 315 | II-flange | 380 | 560 | 180 | OT315KFCC4B | 1SCA022548R6710 | 9.0 |
| 400 | 400 | II-flange | 380 | 840 | 180 | OT400DFCC4B | 1SCA022609R5480 | 16.0 |
| 570 | 570 | II-flange | 380 | 840 | 180 | OT630KFCC4B | 1SCA022584R5700 | 20.0 |
| 720 | 720 | 2xII-flange | 560 | 760 | 250 | OT800KFCC4B | 1SCA022609R5560 | 20.0 |

OTP125B4M
S02081A



OTP125B4B
S00692A



OTP125B4U
S00772A



OT160...800_
S00835A



Ordering information

Plastic enclosed switch-disconnectors

OTP16B_, OTP25B_, OTP32B_
S00764A



6-pole front operated switch-disconnectors

Plastic enclosed, IP65

| Rated operational current [A] | Cable outlets/ side | Enclosure size [mm] | | | Type | Order number | Weight [kg] |
|-------------------------------|---------------------|---------------------|---|---|------|--------------|-------------|
| | | W | H | D | | | |
| AC22A ≤690V | AC23A ≤415V | | | | | | |

Includes selector-type black handle (I-0 and ON-OFF indication), N- and PE-terminals.

Threaded knock-outs, compression glands have to be ordered separately.

| | | | | | | | | |
|----|----|-------------|-----|-----|----|----------|-----------------|-----|
| 16 | 16 | 2xM25+M16 | 130 | 150 | 85 | OTP16B6M | 1SCA022401R5560 | 0.8 |
| 16 | 16 | 2xPg21+Pg11 | 130 | 150 | 85 | OTP16B6P | 1SCA022401R5480 | 0.8 |
| 25 | 20 | 2xM25+M16 | 130 | 150 | 85 | OTP25B6M | 1SCA022401R5720 | 0.9 |
| 25 | 20 | 2xPg21+Pg11 | 130 | 150 | 85 | OTP25B6P | 1SCA022401R5640 | 0.9 |
| 40 | 23 | 2xM25+M16 | 130 | 150 | 85 | OTP32B6M | 1SCA022401R5990 | 0.9 |
| 40 | 23 | 2xPg21+Pg11 | 130 | 150 | 85 | OTP32B6P | 1SCA022401R5810 | 0.9 |

Includes pistol-type black handle (I-0 and ON-OFF indication), N- and PE-terminals.

Threaded knock-outs, compression glands have to be ordered separately.

| | | | | | | | | |
|-----|----|-------------|-----|-----|-----|-----------|-----------------|-----|
| 45 | 45 | 2xM32+M16 | 145 | 200 | 90 | OTP45B6M | 1SCA022401R6110 | 1.6 |
| 45 | 45 | 2xPg29+Pg11 | 145 | 200 | 90 | OTP45B6P | 1SCA022401R6020 | 1.6 |
| 63 | 45 | 2xM32+M16 | 145 | 200 | 90 | OTP63B6M | 1SCA022401R6370 | 1.6 |
| 63 | 45 | 2xPg29+Pg11 | 145 | 200 | 90 | OTP63B6P | 1SCA022401R6290 | 1.6 |
| 125 | 90 | 2xM50+M16 | 200 | 400 | 140 | OTP125B6M | 1SCA022812R7340 | 3.2 |

Includes pistol-type black handle (I-0 and ON-OFF indication), N- and PE-terminals.

Knock-out flanges, flanges have to be ordered separately.

| | | | | | | | | |
|-----|----|----------|-----|-----|-----|-----------|-----------------|-----|
| 125 | 90 | I-flange | 200 | 400 | 140 | OTP125B6B | 1SCA022401R6610 | 3.2 |
| 125 | 90 | - | 200 | 400 | 140 | OTP125B6U | 1SCA022401R6700 | 3.2 |

OTP45B_, OTP63B_
S00590A



OTP125B6M
S02084A



OTP125B6B
S00768A



OTP125B6U
S00774A



Ordering information

Plastic enclosed switch-disconnectors

BW_25Y/TPN
2CMC342002F0056



3-pole side operated switch-disconnectors

Plastic enclosed, IP65, red-yellow

Enclosure in robust PBT plastic with metric threaded cable entries. Light grey box with yellow cover and red operating handle. Delivery includes PE+neutral terminal and membrane glands (IP54) / sealing plugs. For IP65 degree of protection compression glands must be used.

BW_40Y/TPSN
2CMC342002F0056



| Rated operational current [A] | | | | Cable sizes Up/Down | Enclosure size [mm] | | | Type | Order number | Weight [kg] |
|-------------------------------|---------------|---------------|---------------|------------------------|---------------------|-----|----|-------------|-----------------|-------------|
| AC22A 400V | AC23A 500V | AC23A 690V | AC23A 500V | | W | H | D | | | |
| 25 | 25 | 16 | 16 | 2xM25/2xM25 | 111 | 130 | 60 | BW325 Y/TPN | 2CMA142441R1000 | 0.31 |
| 40 | 40 | 32 | 25 | 2xM32/ 2xM32+1xM16 | 138 | 168 | 68 | BW340 Y/TPN | 2CMA142445R1000 | 0.41 |

4-pole side operated switch-disconnectors

Plastic enclosed, IP65, red-yellow

Enclosure in robust PBT plastic with metric threaded cable entries. Light grey box with yellow cover and red operating handle. Delivery includes PE terminal and membrane glands (IP54) / sealing plugs. For IP65 degree of protection compression glands must be used.

| Rated operational current [A] | | | | Cable sizes Up/Down | Enclosure size [mm] | | | Type | Order number | Weight [kg] |
|-------------------------------|---------------|---------------|---------------|------------------------|---------------------|-----|----|--------------|-----------------|-------------|
| AC22A 400V | AC23A 500V | AC23A 690V | AC23A 500V | | W | H | D | | | |
| 25 | 25 | 16 | 16 | 2xM25/2xM25 | 111 | 130 | 60 | BW425 Y/TPSN | 2CMA142444R1000 | 0.31 |
| 40 | 40 | 32 | 25 | 2xM32/ 2xM32+1xM16 | 138 | 168 | 68 | BW440 Y/TPSN | 2CMA142446R1000 | 0.41 |

Ordering information

Plastic enclosed switch-disconnectors

OTP16B_
S00759A



OTP25B_, OTP32B_
S00760A



OTP45B_, OTP63B_
S00761A



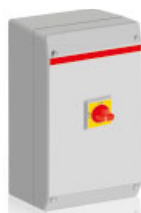
OTP125BA3M
S02076A



OTP125BA3B
S00763A



OTP125BA3U
S00773A



OT160...800_
S01765A



3-pole front operated switch-disconnectors

Plastic enclosed, IP65, red-yellow

| Rated operational current [A] | | Cable outlets/ side | Enclosure size [mm] | | | Type | Order number | Weight [kg] |
|-------------------------------|-------|------------------------|---------------------|---|---|------|--------------|-------------|
| AC22A | AC23A | | W | H | D | | | |

Includes selector-type red-yellow handle (I-0 and ON-OFF indication), N- and PE-terminals, two membrane cable glands and two pull stoppers.

| | | | | | | | | |
|----|----|--------|----|-----|----|-------------|-----------------|-----|
| 16 | 16 | 2xM20 | 85 | 120 | 60 | OTP16BA3M | 1SCA022401R3350 | 0.4 |
| 16 | 16 | 2xM25 | 85 | 120 | 60 | OTP16BA3M25 | 1SCA022699R2960 | 0.4 |
| 16 | 16 | 2xPg16 | 85 | 120 | 60 | OTP16BA3P | 1SCA022389R6880 | 0.4 |

Includes selector-type red-yellow handle (I-0 and ON-OFF indication), N- and PE-terminals. Threaded knock-outs, compression glands have to be ordered separately.

| | | | | | | | | |
|-----|----|-------------|-----|-----|-----|------------|-----------------|-----|
| 25 | 20 | 2xM25+M16 | 130 | 150 | 60 | OTP25BA3M | 1SCA022401R3430 | 0.5 |
| 25 | 20 | 2xPg21+Pg11 | 130 | 150 | 60 | OTP25BA3P | 1SCA022389R6960 | 0.5 |
| 40 | 23 | 2xM25+M16 | 130 | 150 | 60 | OTP32BA3M | 1SCA022401R3510 | 0.8 |
| 40 | 23 | 2xPg21+Pg11 | 130 | 150 | 60 | OTP32BA3P | 1SCA022389R7000 | 0.8 |
| 63 | 45 | 2xM32+M16 | 145 | 200 | 90 | OTP45BA3M | 1SCA022401R3600 | 1.0 |
| 63 | 45 | 2xPg29+Pg11 | 145 | 200 | 90 | OTP45BA3P | 1SCA022389R7180 | 1.0 |
| 80 | 63 | 2xM32+M16 | 145 | 200 | 90 | OTP63BA3M | 1SCA022401R3780 | 1.0 |
| 80 | 63 | 2xPg29+Pg11 | 145 | 200 | 90 | OTP63BA3P | 1SCA022389R7260 | 1.0 |
| 125 | 90 | 2xM50+M16 | 200 | 400 | 140 | OTP125BA3M | 1SCA022812R7420 | 2.4 |

Includes selector-type red-yellow handle (I-0 and ON-OFF indication), N- and PE-terminals. Knock-out flanges, flanges have to be ordered separately.

| | | | | | | | | |
|-----|----|----------|-----|-----|-----|------------|-----------------|-----|
| 125 | 90 | I-flange | 200 | 400 | 140 | OTP125BA3B | 1SCA022389R7420 | 2.4 |
| 125 | 90 | - | 200 | 400 | 140 | OTP125BA3U | 1SCA022401R3940 | 2.4 |

Includes pistol-type red-yellow handle (I-0 and ON-OFF indication), N- and PE-terminals. Knock-out flanges, flanges have to be ordered separately.

| | | | | | | | | |
|-----|-----|-------------|-----|-----|-----|--------------|-----------------|------|
| 160 | 135 | II-flange | 280 | 380 | 130 | OT160EFCC3BA | 1SCA022833R6510 | 5.4 |
| 200 | 200 | II-flange | 280 | 560 | 180 | OT200KFCC3BA | 1SCA022833R9950 | 9.0 |
| 250 | 250 | II-flange | 280 | 560 | 180 | OT250KFCC3BA | 1SCA022834R0020 | 9.0 |
| 315 | 315 | II-flange | 380 | 560 | 180 | OT315KFCC3BA | 1SCA022834R0110 | 9.0 |
| 400 | 400 | II-flange | 380 | 840 | 180 | OT400DFCC3BA | 1SCA022834R0290 | 16.0 |
| 570 | 570 | II-flange | 380 | 840 | 180 | OT630KFCC3BA | 1SCA022834R0370 | 20.0 |
| 720 | 720 | 2xII-flange | 560 | 760 | 250 | OT800KFCC3BA | 1SCA022834R0450 | 30.0 |

Ordering information

Plastic enclosed switch-disconnectors

OTP16B_, OTP25B_, OTP32B_
S00760A



4-pole front operated switch-disconnectors

Plastic enclosed, IP65, red-yellow

OTP45_, OTP63_
S00761A



OTP125BA4M
S02076A



OTP125BA4B
S00763A



OTP125BA4U
S00773A



OT160_...800_
S01765A



| Rated operational current [A] | Cable outlets/ side | Enclosure size [mm] | | | Type | Order number | Weight [kg] |
|-------------------------------|---------------------|---------------------|---|---|------|--------------|-------------|
| | | W | H | D | | | |
| AC22A | AC23A | | | | | | |
| ≤690V | ≤415V | | | | | | |

Includes selector-type red-yellow handle (I-0 and ON-OFF indication), N- and PE-terminals.

Threaded knock-outs, compression glands have to be ordered separately.

| | | | | | | | | |
|-----|----|-------------|-----|-----|-----|------------|-----------------|-----|
| 16 | 16 | 2xM25+M16 | 130 | 150 | 60 | OTP16BA4M | 1SCA022459R6510 | 0.5 |
| 16 | 16 | 2xPg21+Pg11 | 130 | 150 | 60 | OTP16BA4P | 1SCA022401R4080 | 0.5 |
| 25 | 20 | 2xM25+M16 | 130 | 150 | 60 | OTP25BA4M | 1SCA022459R6600 | 0.8 |
| 25 | 20 | 2xPg21+Pg11 | 130 | 150 | 60 | OTP25BA4P | 1SCA022433R8140 | 0.8 |
| 40 | 23 | 2xM25+M16 | 130 | 150 | 60 | OTP32BA4M | 1SCA022459R6780 | 0.8 |
| 40 | 23 | 2xPg21+Pg11 | 130 | 150 | 60 | OTP32BA4P | 1SCA022433R8220 | 0.8 |
| 63 | 45 | 2xM32+M16 | 145 | 200 | 90 | OTP45BA4M | 1SCA022459R6860 | 1.0 |
| 63 | 45 | 2xPg29+Pg11 | 145 | 200 | 90 | OTP45BA4P | 1SCA022571R5080 | 1.0 |
| 80 | 63 | 2xM32+M16 | 145 | 200 | 90 | OTP63BA4M | 1SCA022459R6940 | 1.0 |
| 80 | 63 | 2xPg29+Pg11 | 145 | 200 | 90 | OTP63BA4P | 1SCA022571R5160 | 1.0 |
| 125 | 90 | 2xM50+M16 | 200 | 400 | 140 | OTP125BA4M | 1SCA022812R7510 | 2.5 |

Includes selector-type red-yellow handle (I-0 and ON-OFF indication), N- and PE-terminals.

Knock-out flanges, flanges have to be ordered separately.

| | | | | | | | | |
|-----|----|----------|-----|-----|-----|------------|-----------------|-----|
| 125 | 90 | I-flange | 200 | 400 | 140 | OTP125BA4B | 1SCA022571R8510 | 2.5 |
| 125 | 90 | - | 200 | 400 | 140 | OTP125BA4U | 1SCA022459R7160 | 2.5 |

Includes pistol-type red-yellow handle (I-0 and ON-OFF indication), N- and PE-terminals.

Knock-out flanges, flanges have to be ordered separately.

| | | | | | | | | |
|-----|-----|-------------|-----|-----|-----|--------------|-----------------|------|
| 160 | 135 | II-flange | 280 | 380 | 130 | OT160EFCC4BA | 1SCA022833R6690 | 5.4 |
| 200 | 200 | II-flange | 280 | 560 | 180 | OT200KFCC4BA | 1SCA022834R0530 | 9.0 |
| 250 | 250 | II-flange | 280 | 560 | 180 | OT250KFCC4BA | 1SCA022834R0610 | 9.0 |
| 315 | 315 | II-flange | 380 | 560 | 180 | OT315KFCC4BA | 1SCA022834R0700 | 9.0 |
| 400 | 400 | II-flange | 380 | 840 | 180 | OT400DFCC4BA | 1SCA022834R0880 | 16.0 |
| 570 | 570 | II-flange | 380 | 840 | 180 | OT630KFCC4BA | 1SCA022834R1000 | 20.0 |
| 720 | 720 | 2xII-flange | 560 | 760 | 250 | OT800KFCC4BA | 1SCA022834R1180 | 30.0 |

Ordering information

Plastic enclosed switch-disconnectors

OTP16B_, OTP25B_, OTP32B_
S00760A



OTP45_, OTP63_
S00767A



OTP125BA6M
S02083A



OTP125BA6B
S00769A



OTP125BA6U
S00775A



6-pole front operated switch-disconnectors

Plastic enclosed, IP65, red-yellow

| Rated operational current [A] | | Cable outlets/ side | Enclosure size [mm] | | | Type | Order number | Weight [kg] |
|-------------------------------|-------|---------------------|---------------------|---|---|------|--------------|-------------|
| AC22A | AC23A | | W | H | D | | | |
| ≤690V | ≤415V | | | | | | | |

Includes selector-type red-yellow handle (I-O and ON-OFF indication), N- and PE-terminals.

Threaded knock-outs, compression glands have to be ordered separately.

| | | | | | | | | |
|----|----|-------------|-----|-----|----|-----------|-----------------|-----|
| 16 | 16 | 2xM25+M16 | 130 | 150 | 85 | OTP16BA6M | 1SCA022401R6880 | 0.8 |
| 16 | 16 | 2xPg21+Pg11 | 130 | 150 | 85 | OTP16BA6P | 1SCA022394R5330 | 0.8 |
| 25 | 20 | 2xM25+M16 | 130 | 150 | 85 | OTP25BA6M | 1SCA022401R6960 | 0.9 |
| 25 | 20 | 2xPg21+Pg11 | 130 | 150 | 85 | OTP25BA6P | 1SCA022394R5410 | 0.9 |
| 40 | 23 | 2xM25+M16 | 130 | 150 | 85 | OTP32BA6M | 1SCA022401R7000 | 0.9 |
| 40 | 23 | 2xPg21+Pg11 | 130 | 150 | 85 | OTP32BA6P | 1SCA022394R5680 | 0.9 |

Includes pistol-type red-yellow handle (I-O and ON-OFF indication), N- and PE-terminals.

Threaded knock-outs, compression glands have to be ordered separately.

| | | | | | | | | |
|-----|----|-------------|-----|-----|-----|------------|-----------------|-----|
| 45 | 45 | 2xM32+M16 | 145 | 200 | 90 | OTP45BA6M | 1SCA022401R7180 | 1.6 |
| 45 | 45 | 2xPg29+Pg11 | 145 | 200 | 90 | OTP45BA6P | 1SCA022394R5840 | 1.6 |
| 63 | 45 | 2xM32+M16 | 145 | 200 | 90 | OTP63BA6M | 1SCA022401R7260 | 1.6 |
| 63 | 45 | 2xPg29+Pg11 | 145 | 200 | 90 | OTP63BA6P | 1SCA022394R5760 | 1.6 |
| 125 | 90 | 2xM50+M16 | 200 | 400 | 140 | OTP125BA6M | 1SCA022812R7690 | 3.2 |

Includes pistol-type red-yellow handle (I-O and ON-OFF indication), N- and PE-terminals.

Knock-out flanges, flanges have to be ordered separately.

| | | | | | | | | |
|-----|----|----------|-----|-----|-----|------------|-----------------|-----|
| 125 | 90 | I-flange | 200 | 400 | 140 | OTP125BA6B | 1SCA022401R7510 | 3.2 |
| 125 | 90 | - | 200 | 400 | 140 | OTP125BA6U | 1SCA022401R7690 | 3.2 |

Ordering information

Plastic enclosed switch-disconnectors

OTP16BA3MS
S00759A



OTP16BA4MS, OTP16BA8MS,
OTP32BA3MS, OTP32BA8MS
S00760A



Front operated switch-disconnectors, DC rated switches

Plastic enclosed, IP65, red-yellow

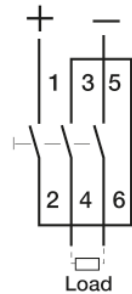
| Utilisation category and voltage | | | Cable outlets/ side | Enclosure size | | | Type | Order number | Weight [kg] |
|--|----------------------|----------------------|------------------------|----------------|-----|----|------------|-----------------|-------------|
| I _e [A] | DC21A | DC20A* | | W | H | D | | | |
| | U _e [VDC] | U _e [VDC] | | | | | | | |
| Includes selector-type red-yellow handle (I-0 and ON-OFF indication). | | | | | | | | | |
| Threaded knock-outs, compression glands have to be ordered separately. | | | | | | | | | |
| 16 | 220 | 800 | 2xM20 | 85 | 120 | 60 | OTP16BA3MS | 1SCA022643R0530 | 0.4 |
| 16 | 500 | 800 | 2xM25+M16 | 130 | 150 | 60 | OTP16BA4MS | 1SCA022643R0610 | 0.5 |
| 16 | 800 | 800 | 2xM25+M16 | 130 | 150 | 85 | OTP16BA8MS | 1SCA022643R0700 | 0.8 |
| 32 ¹⁾ | 220 | 800 | 2xM25+M16 | 130 | 150 | 60 | OTP32BA3MS | 1SCA022643R0880 | 0.8 |
| 32 ¹⁾ | 750 | 800 | 2xM25+M16 | 130 | 150 | 85 | OTP32BA8MS | 1SCA022643R1000 | 0.9 |

* Insulation voltage U_i=800V, pollution degree 2 /
Insulation voltage U_i=750V, pollution degree 3.

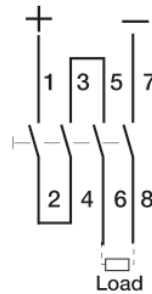
¹⁾ Ambient temperature max +40 °C and average max +35 °C / 24h.

Circuit diagrams

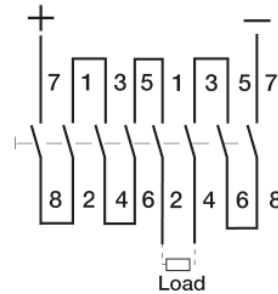
Type OTP_3MS
3-poles in series



Type OTP_4MS
4-poles in series



Type OTP_8MS
8-poles in series



Ordering information

Steel sheet enclosed switch-disconnectors

OT16...63 ELMM_
S00822A



3-pole front operated switch-disconnectors

Steel sheet enclosed, IP65

| Rated operational current [A] | Cable outlets/ side | Enclosure size [mm] | Type | Order number | Weight [kg] |
|-------------------------------|---------------------|---------------------|------|--------------|-------------|
| AC22A AC23A ≤690V ≤415V | | W H D | | | |

OT125 ELBB_
S00823A



Includes selector-type black handle (I-0 and ON-OFF indication), N- and PE-terminals.

Cable knock-outs as standard, compression glands have to be ordered separately.

| | | | | | | |
|----|----|-----------|-------------|-------------|-----------------|-----|
| 16 | 16 | 2xø20+ø16 | 162 240 110 | OT16ELMM3BZ | 1SCA022461R9150 | 1.6 |
| 25 | 20 | 2xø25+ø16 | 162 240 110 | OT25ELMM3BZ | 1SCA022461R9310 | 1.6 |
| 40 | 23 | 2xø25+ø16 | 162 240 110 | OT32ELMM3BZ | 1SCA022461R9580 | 1.6 |
| 63 | 45 | 2xø32+ø16 | 162 240 110 | OT45ELMM3BZ | 1SCA022461R9740 | 2.0 |
| 80 | 63 | 2xø32+ø16 | 162 240 110 | OT63ELMM3BZ | 1SCA022461R9910 | 2.0 |

Includes selector-type black handle (I-0 and ON-OFF indication), N- and PE-terminals.

Cable knock-outs as standard, flanges have to be ordered separately.

OTL16...63 B_
S01211A



| | | | | | | |
|-----|----|----------|-------------|--------------|-----------------|-----|
| 125 | 90 | B-flange | 233 350 140 | OT125ELBB3BZ | 1SCA022462R0240 | 5.0 |
|-----|----|----------|-------------|--------------|-----------------|-----|

Includes selector-type black handle (I-0 and ON-OFF indication), N- and PE-terminals.

Cable knock-outs as standard, compression glands have to be ordered separately.

| | | | | | | |
|----|----|-----------|-------------|----------|-----------------|-----|
| 16 | 16 | 2xø25+ø16 | 150 200 100 | OTL16B3M | 1SCA022562R1260 | 1.7 |
| 25 | 20 | 2xø25+ø16 | 150 200 100 | OTL25B3M | 1SCA022562R2400 | 1.7 |
| 40 | 23 | 2xø25+ø16 | 150 200 100 | OTL32B3M | 1SCA022562R3630 | 1.7 |
| 63 | 45 | 2xø32+ø16 | 150 200 100 | OTL45B3M | 1SCA022562R4790 | 1.9 |
| 80 | 63 | 2xø32+ø16 | 150 200 100 | OTL63B3M | 1SCA022562R5920 | 1.9 |

OTL100...125B3B
S01251A



Includes pistol-type black handle (I-0 and ON-OFF indication), N- and PE-terminals.

Cable knock-outs as standard, flanges have to be ordered separately.

| | | | | | | |
|-----|----|----------|-------------|-----------|-----------------|-----|
| 100 | 80 | B-flange | 200 300 150 | OTL100B3B | 1SCA022562R8350 | 3.4 |
| 100 | 80 | - | 200 300 150 | OTL100B3U | 1SCA022562R8430 | 3.4 |
| 125 | 90 | B-flange | 200 300 150 | OTL125B3B | 1SCA022562R9590 | 3.4 |
| 125 | 90 | - | 200 300 150 | OTL125B3U | 1SCA022562R9670 | 3.4 |

Ordering information

Steel sheet enclosed switch-disconnectors

OT125...1600_ LA_
S00834A



OT125...1600_ LU_
S00507A



3-pole front operated switch-disconnectors

Steel sheet enclosed, IP65

| Rated operational current [A] | Cable outlets/ side | Enclosure size [mm] | | | Type | Order number | Weight [kg] |
|-------------------------------|---------------------|---------------------|---|---|------|--------------|-------------|
| | | W | H | D | | | |

Delivery without cable entries, top and bottom sides are open. Cable entries for C-flanges or for ring-flanges have to be ordered separately, see accessories. These entries are used also for fixing the enclosed switches. Flanges have to be ordered separately too. Includes pistol-type black handle (I-O and ON-OFF indication), N- and PE-terminals.

| | | | | | | | | |
|------|------|------|-----|------|-----|---------------|-----------------|------|
| 125 | 105 | Open | 250 | 400 | 180 | OT125ALAA3BZ | 1SCA022302R6710 | 11.0 |
| 160 | 135 | Open | 250 | 400 | 180 | OT160ELAA3BZ | 1SCA022302R7100 | 10.0 |
| 200 | 200 | Open | 400 | 600 | 230 | OT200KLAA3BZ | 1SCA022302R7520 | 17.0 |
| 250 | 250 | Open | 400 | 600 | 230 | OT250KLAA3BZ | 1SCA022302R7950 | 17.0 |
| 315 | 315 | Open | 400 | 600 | 230 | OT315KLAA3BZ | 1SCA022302R8330 | 17.0 |
| 400 | 400 | Open | 400 | 800 | 230 | OT400DLAA3BZ | 1SCA022302R8760 | 23.0 |
| 570 | 570 | Open | 400 | 1000 | 230 | OT630KLAA3BZ | 1SCA022302R9140 | 30.0 |
| 720 | 720 | Open | 400 | 1000 | 230 | OT800KLAA3BZ | 1SCA022302R9570 | 30.0 |
| 1000 | 1000 | Open | 800 | 1200 | 230 | OT1000KLAA3BZ | 1SCA022569R2870 | 73.0 |
| 1250 | 1250 | Open | 800 | 1200 | 330 | OT1250KLAA3BZ | 1SCA022569R4310 | 90.0 |
| 1600 | 1250 | Open | 800 | 1200 | 330 | OT1600KLAA3BZ | 1SCA022569R4570 | 92.0 |

Delivery with blank cable entries. These entries are used also for fixing the enclosed switches.

Includes pistol-type black handle (I-O and ON-OFF indication), N- and PE-terminals.

| | | | | | | | | |
|------|------|---|-----|------|-----|---------------|-----------------|------|
| 125 | 90 | - | 250 | 400 | 180 | OT125ALUU3BZ | 1SCA022750R1430 | 11.0 |
| 160 | 135 | - | 250 | 400 | 180 | OT160ELUU3BZ | 1SCA022479R5120 | 15.0 |
| 200 | 200 | - | 400 | 600 | 230 | OT200KLUU3BZ | 1SCA022602R0630 | 17.0 |
| 250 | 250 | - | 400 | 600 | 230 | OT250KLUU3BZ | 1SCA022602R0710 | 17.0 |
| 315 | 315 | - | 400 | 600 | 230 | OT315KLUU3BZ | 1SCA022572R6010 | 20.0 |
| 400 | 400 | - | 400 | 800 | 230 | OT400DLUU3BZ | 1SCA022602R0800 | 24.0 |
| 570 | 570 | - | 400 | 1000 | 230 | OT630KLUU3BZ | 1SCA022750R1510 | 33.0 |
| 720 | 720 | - | 400 | 1000 | 230 | OT800KLUU3BZ | 1SCA022750R1600 | 33.0 |
| 1000 | 1000 | - | 800 | 1200 | 230 | OT1000KLUU3BZ | 1SCA022750R1780 | 75.0 |
| 1250 | 1250 | - | 800 | 1200 | 330 | OT1250KLUU3BZ | 1SCA022750R1860 | 92.0 |
| 1600 | 1250 | - | 800 | 1200 | 330 | OT1600KLUU3BZ | 1SCA022750R1940 | 94.0 |

Ordering information

Steel sheet enclosed switch-disconnectors

OT16...63_
S00822A



4-pole front operated switch-disconnectors

Steel sheet enclosed, IP65

| Rated operational current [A] | AC22A AC23A | ≤690V ≤415V | Cable outlets/ side | Enclosure size [mm] | W | H | D | Type | Order number | Weight [kg] |
|-------------------------------|-------------|-------------|---------------------|---------------------|---|---|---|------|--------------|-------------|
|-------------------------------|-------------|-------------|---------------------|---------------------|---|---|---|------|--------------|-------------|

Includes selector-type black handle (I-0 and ON-OFF indication), N- and PE-terminals.

Cable knock-outs as standard, compression glands have to be ordered separately.

| | | | | | | | | | | |
|----|----|--|-------------------------|-----|-----|-----|--|-------------|-----------------|-----|
| 16 | 16 | | 2x ϕ 20+ ϕ 16 | 162 | 240 | 110 | | OT16ELMM4BZ | 1SCA022467R9050 | 1.6 |
| 25 | 20 | | 2x ϕ 25+ ϕ 16 | 162 | 240 | 110 | | OT25ELMM4BZ | 1SCA022467R9210 | 1.6 |
| 40 | 23 | | 2x ϕ 25+ ϕ 16 | 162 | 240 | 110 | | OT32ELMM4BZ | 1SCA022467R9480 | 1.6 |
| 63 | 45 | | 2x ϕ 32+ ϕ 16 | 162 | 240 | 110 | | OT45ELMM4BZ | 1SCA022467R9640 | 2.0 |
| 80 | 63 | | 2x ϕ 32+ ϕ 16 | 162 | 240 | 110 | | OT63ELMM4BZ | 1SCA022467R9810 | 2.0 |

Includes selector-type black handle (I-0 and ON-OFF indication), N- and PE-terminals.

Cable knock-outs as standard, flanges have to be ordered separately.

| | | | | | | | | | | |
|-----|----|--|----------|-----|-----|-----|--|--------------|-----------------|-----|
| 125 | 90 | | B-flange | 233 | 350 | 140 | | OT125ELBB4BZ | 1SCA022468R0140 | 5.0 |
|-----|----|--|----------|-----|-----|-----|--|--------------|-----------------|-----|

Includes selector-type black handle (I-0 and ON-OFF indication), N- and PE-terminals.

Cable knock-outs as standard, compression glands have to be ordered separately.

| | | | | | | | | | | |
|----|----|--|-------------------------|-----|-----|-----|--|----------|-----------------|-----|
| 16 | 16 | | 2x ϕ 25+ ϕ 16 | 150 | 200 | 100 | | OTL16B4M | 1SCA022562R4120 | 1.7 |
| 25 | 20 | | 2x ϕ 25+ ϕ 16 | 150 | 200 | 100 | | OTL25B4M | 1SCA022562R2660 | 1.7 |
| 40 | 23 | | 2x ϕ 25+ ϕ 16 | 150 | 200 | 100 | | OTL32B4M | 1SCA022562R3800 | 1.7 |
| 63 | 45 | | 2x ϕ 32+ ϕ 16 | 150 | 200 | 100 | | OTL45B4M | 1SCA022562R4950 | 1.9 |
| 80 | 63 | | 2x ϕ 32+ ϕ 16 | 150 | 200 | 100 | | OTL63B4M | 1SCA022562R6140 | 1.9 |

Includes pistol-type black handle (I-0 and ON-OFF indication), N- and PE-terminals.

Cable knock-outs as standard, flanges have to be ordered separately.

| | | | | | | | | | | |
|-----|----|--|----------|-----|-----|-----|--|-----------|-----------------|-----|
| 100 | 80 | | B-flange | 200 | 300 | 150 | | OTL100B4B | 1SCA022562R8510 | 3.4 |
| 100 | 80 | | - | 200 | 300 | 150 | | OTL100B4U | 1SCA022562R8600 | 3.4 |
| 125 | 90 | | B-flange | 200 | 300 | 150 | | OTL125B4B | 1SCA022562R9830 | 3.4 |
| 125 | 90 | | - | 200 | 300 | 150 | | OTL125B4U | 1SCA022562R9910 | 3.4 |

OT125_
S00823A



OTL16...63_
S01211A



OTL100...125B4B
S01251A



Ordering information

Steel sheet enclosed switch-disconnectors

OT125...1600_LA_
S00834A



OT125...800_LU_
S00507A



4-pole front operated switch-disconnectors

Steel sheet enclosed, IP65

| Rated operational current [A] AC22A AC23A ≤690V ≤415V | Cable outlets/ side | Enclosure size [mm] | | | Type | Order number | Weight [kg] |
|---|------------------------|---------------------|---|---|------|--------------|-------------|
| | | W | H | D | | | |

Delivery without cable entries, top and bottom sides are open. Cable entries for C-flanges or for ring-flanges have to be ordered separately, see accessories. These entries are used also for fixing the enclosed switches. Flanges have to be ordered separately too. Includes pistol-type black handle (I-O and ON-OFF indication), N- and PE-terminals.

| | | | | | | | | |
|------|------|------|-----|------|-----|---------------|-----------------|------|
| 125 | 90 | Open | 250 | 400 | 180 | OT125ALAA4BZ | 1SCA022342R4870 | 15.0 |
| 160 | 135 | Open | 250 | 400 | 180 | OT160ELAA4BZ | 1SCA022342R5090 | 15.0 |
| 200 | 200 | Open | 400 | 600 | 230 | OT200KLAA4BZ | 1SCA022342R5410 | 18.0 |
| 250 | 250 | Open | 400 | 600 | 230 | OT250KLAA4BZ | 1SCA022342R5840 | 18.0 |
| 315 | 315 | Open | 400 | 600 | 230 | OT315KLAA4BZ | 1SCA022342R6220 | 18.0 |
| 400 | 400 | Open | 400 | 800 | 230 | OT400DLAA4BZ | 1SCA022342R6650 | 24.0 |
| 570 | 570 | Open | 400 | 1000 | 230 | OT630KLAA4BZ | 1SCA022342R7030 | 31.0 |
| 720 | 720 | Open | 400 | 1000 | 230 | OT800KLAA4BZ | 1SCA022342R7460 | 31.0 |
| 1000 | 1000 | Open | 800 | 1200 | 230 | OT1000KLAA4BZ | 1SCA022569R4220 | 75.0 |
| 1250 | 1250 | Open | 800 | 1200 | 330 | OT1250KLAA4BZ | 1SCA022569R4490 | 92.0 |
| 1600 | 1250 | Open | 800 | 1200 | 330 | OT1600KLAA4BZ | 1SCA022569R4650 | 95.0 |

Delivery with blank cable entries. These entries are used also for fixing the enclosed switches.

Includes pistol-type black handle (O-I and ON-OFF indication), N- and PE-terminals.

| | | | | | | | | |
|-----|-----|---|-----|------|-----|--------------|-----------------|----|
| 125 | 90 | - | 250 | 400 | 180 | OT125ALUU4BZ | 1SCA022833R6770 | 12 |
| 160 | 135 | - | 250 | 400 | 180 | OT160ELUU4BZ | 1SCA022833R6850 | 15 |
| 200 | 200 | - | 400 | 600 | 230 | OT200KLUU4BZ | 1SCA022800R5740 | 17 |
| 250 | 250 | - | 400 | 600 | 230 | OT250KLUU4BZ | 1SCA022800R7360 | 17 |
| 315 | 315 | - | 400 | 600 | 230 | OT315KLUU4BZ | 1SCA022801R0070 | 20 |
| 400 | 400 | - | 400 | 800 | 230 | OT400DLUU4BZ | 1SCA022801R0660 | 24 |
| 570 | 570 | - | 400 | 1000 | 230 | OT630KLUU4BZ | 1SCA022830R4490 | 31 |
| 720 | 720 | - | 400 | 1000 | 230 | OT800KLUU4BZ | 1SCA022830R4570 | 31 |

Ordering information

Steel sheet enclosed switch-disconnectors

OT16...63_
S00823A



6-pole front operated switch-disconnectors

Steel sheet enclosed, IP65

| Rated operational current [A] | Cable outlets/ side | Enclosure size [mm] | | | Type | Order number | Weight [kg] |
|-------------------------------|---------------------|---------------------|---|---|------|--------------|-------------|
| | | W | H | D | | | |
| AC22A AC23A | | | | | | | |
| ≤690V | ≤415V | | | | | | |

Includes selector-type black handle (I-0 and ON-OFF indication), N- and PE-terminals.

Cable knock-outs as standard, compression glands have to be ordered separately.

| | | | | | | | | |
|----|----|-----------|-----|-----|-----|-------------|-----------------|-----|
| 16 | 16 | 2xø25+ø16 | 233 | 350 | 140 | OT16ELMM6BZ | 1SCA022589R9620 | 1.6 |
| 25 | 20 | 2xø25+ø16 | 233 | 350 | 140 | OT25ELMM6BZ | 1SCA022591R5330 | 1.6 |
| 40 | 23 | 2xø25+ø16 | 233 | 350 | 140 | OT32ELMM6BZ | 1SCA022589R8810 | 1.6 |
| 63 | 45 | 2xø32+ø16 | 233 | 350 | 140 | OT45ELMM6BZ | 1SCA022468R1380 | 2.0 |
| 80 | 63 | 2xø32+ø16 | 233 | 350 | 140 | OT63ELMM6BZ | 1SCA022468R1460 | 2.0 |

Includes selector-type black handle (I-0 and ON-OFF indication), N- and PE-terminals.

Cable knock-outs as standard, compression glands have to be ordered separately.

| | | | | | | | | |
|----|----|-----------|-----|-----|-----|----------|-----------------|-----|
| 16 | 16 | 2xø25+ø16 | 150 | 200 | 100 | OTL16B6M | 1SCA022562R1690 | 1.8 |
| 25 | 20 | 2xø25+ø16 | 150 | 200 | 100 | OTL25B6M | 1SCA022562R2820 | 1.8 |
| 40 | 23 | 2xø25+ø16 | 150 | 200 | 100 | OTL32B6M | 1SCA022562R4010 | 1.8 |

Includes pistol-type black handle (I-0 and ON-OFF indication), N- and PE-terminals.

Cable knock-outs as standard, flanges have to be ordered separately.

| | | | | | | | | |
|----|----|----------|-----|-----|-----|----------|-----------------|-----|
| 63 | 45 | B-flange | 200 | 300 | 150 | OTL45B6B | 1SCA022610R4730 | 3.5 |
| 63 | 45 | - | 200 | 300 | 150 | OTL45B6U | 1SCA022610R4810 | 3.5 |
| 80 | 63 | B-flange | 200 | 300 | 150 | OTL63B6B | 1SCA022610R4900 | 3.5 |
| 80 | 63 | - | 200 | 300 | 150 | OTL63B6U | 1SCA022610R5030 | 3.5 |

Delivery without cable entries, top and bottom sides are open. Cable entries for C-flanges or for ring-flanges have to be ordered separately, see accessories. These entries are used also for fixing the enclosed switches. Flanges have to be ordered separately too. Includes pistol-type black handle (I-0 and ON-OFF indication), N- and PE-terminals.

| | | | | | | | | |
|-----|-----|------|-----|------|-----|--------------|-----------------|----|
| 125 | 90 | Open | 400 | 400 | 230 | OT125ALAA6BZ | 1SCA022689R5090 | 10 |
| 160 | 135 | Open | 400 | 400 | 230 | OT160ELAA6BZ | 1SCA022468R7400 | 10 |
| 200 | 200 | Open | 800 | 600 | 230 | OT200KLAA6BZ | 1SCA022717R9520 | 17 |
| 250 | 250 | Open | 800 | 800 | 230 | OT250KLAA6BZ | 1SCA022802R5770 | 34 |
| 315 | 315 | Open | 800 | 800 | 230 | OT315KLAA6BZ | 1SCA022804R1110 | 37 |
| 400 | 400 | Open | 800 | 800 | 230 | OT400DLAA6BZ | 1SCA022804R1200 | 37 |
| 570 | 570 | Open | 800 | 1000 | 230 | OT630KLAA6BZ | 1SCA022834R1420 | 46 |
| 720 | 720 | Open | 800 | 1000 | 230 | OT800KLAA6BZ | 1SCA022834R1340 | 46 |

Delivery with blank cable entries. These entries are used also for fixing the enclosed switches.

Includes pistol-type black handle (I-0 and ON-OFF indication), N- and PE-terminals.

| | | | | | | | | |
|-----|-----|---|-----|------|-----|--------------|-----------------|----|
| 125 | 90 | - | 400 | 400 | 230 | OT125ALUU6BZ | 1SCA022833R6930 | 15 |
| 160 | 135 | - | 400 | 400 | 230 | OT160ELUU6BZ | 1SCA022833R7070 | 15 |
| 200 | 200 | - | 800 | 600 | 230 | OT200KLUU6BZ | 1SCA022802R4610 | 35 |
| 250 | 250 | - | 800 | 800 | 230 | OT250KLUU6BZ | 1SCA022802R4530 | 40 |
| 315 | 315 | - | 800 | 800 | 230 | OT315KLUU6BZ | 1SCA022804R0900 | 43 |
| 400 | 400 | - | 800 | 800 | 230 | OT400DLUU6BZ | 1SCA022804R1030 | 43 |
| 570 | 570 | - | 800 | 1000 | 230 | OT630KLUU6BZ | 1SCA022834R1260 | 52 |
| 720 | 720 | - | 800 | 1000 | 230 | OT800KLUU6BZ | 1SCA022834R1690 | 52 |

OTL16...63_
S01211A



OTL45...63B6B
S01251A



OT125...800_LA_
S00834A



OT125...800_LU_
S00507A



Ordering information

Steel sheet enclosed switch-disconnectors

OT16...63_
S00822A



OT125_
S00823A



OT125...1600_
S00834A



3-pole front operated switch-disconnectors

Steel sheet enclosed, IP54

| Rated operational current [A] | | Cable outlets/ side | Enclosure size [mm] | | | Type | Order number | Weight [kg] |
|-------------------------------|----------------|------------------------|---------------------|---|---|------|--------------|-------------|
| AC22A ≤690V | AC23A ≤415V | | W | H | D | | | |

Includes selector-type black handle (I-0 and ON-OFF indication), N- and PE-terminals.

Cable knock-outs as standard, compression glands have to be ordered separately.

| | | | | | | | | |
|----|----|-----------|-----|-----|-----|------------|-----------------|-----|
| 16 | 16 | 2xø20+ø16 | 162 | 240 | 110 | OT16ELMM3B | 1SCA022461R7960 | 1.6 |
| 25 | 20 | 2xø25+ø16 | 162 | 240 | 110 | OT25ELMM3B | 1SCA022461R8180 | 1.6 |
| 40 | 23 | 2xø25+ø16 | 162 | 240 | 110 | OT32ELMM3B | 1SCA022461R8340 | 1.6 |
| 63 | 45 | 2xø32+ø16 | 162 | 240 | 110 | OT45ELMM3B | 1SCA022461R8510 | 2.0 |
| 80 | 63 | 2xø32+ø16 | 162 | 240 | 110 | OT63ELMM3B | 1SCA022461R8770 | 2.0 |

Includes selector-type black handle (I-0 and ON-OFF indication), N- and PE-terminals.

Cable knock-outs as standard, flanges have to be ordered separately.

| | | | | | | | | |
|-----|----|----------|-----|-----|-----|-------------|-----------------|-----|
| 125 | 90 | B-flange | 233 | 350 | 140 | OT125ELBB3B | 1SCA022461R9070 | 5.0 |
|-----|----|----------|-----|-----|-----|-------------|-----------------|-----|

Delivery without cable entries, top and bottom sides are open. Cable entries for C-flanges or for ring-flanges have to be ordered separately, see accessories. These entries are used also for fixing the enclosed switches. Flanges have to be ordered separately too. Includes pistol-type black handle (I-0 and ON-OFF indication), N- and PE-terminals.

| | | | | | | | | |
|------|------|------|-----|------|-----|--------------|-----------------|------|
| 125 | 105 | Open | 250 | 400 | 180 | OT125ALAA3B | 1SCA022302R5910 | 10.0 |
| 160 | 135 | Open | 250 | 400 | 180 | OT160ELAA3B | 1SCA022280R3410 | 10.0 |
| 200 | 200 | Open | 400 | 600 | 230 | OT200KLAA3B | 1SCA022280R4060 | 17.0 |
| 250 | 250 | Open | 400 | 600 | 230 | OT250KLAA3B | 1SCA022280R4650 | 17.0 |
| 315 | 315 | Open | 400 | 600 | 230 | OT315KLAA3B | 1SCA022280R5200 | 17.0 |
| 400 | 400 | Open | 400 | 800 | 230 | OT400DLAA3B | 1SCA022279R9710 | 23.0 |
| 570 | 570 | Open | 400 | 1000 | 230 | OT630KLAA3B | 1SCA022280R0310 | 30.0 |
| 720 | 720 | Open | 400 | 1000 | 230 | OT800KLAA3B | 1SCA022280R0910 | 30.0 |
| 1000 | 1000 | Open | 800 | 1200 | 230 | OT1000KLAA3B | 1SCA022370R3830 | 73.0 |
| 1250 | 1250 | Open | 800 | 1200 | 230 | OT1250KLAA3B | 1SCA022350R0640 | 90.0 |
| 1600 | 1250 | Open | 800 | 1200 | 230 | OT1600KLAA3B | 1SCA022437R8520 | 92.0 |

Ordering information

Steel sheet enclosed switch-disconnectors

OT16...63_
S00822A



4-pole front operated switch-disconnectors

Steel sheet enclosed, IP54

OT125_
S00823A



| Rated operational current [A] | | Cable outlets/ side | Enclosure size [mm] | | | Type | Order number | Weight [kg] |
|-------------------------------|-------|---------------------|---------------------|---|---|------|--------------|-------------|
| AC22A | AC23A | | W | H | D | | | |

Includes selector-type black handle (I-0 and ON-OFF indication), N- and PE-terminals.

Cable knock-outs as standard, compression glands have to be ordered separately.

| | | | | | | | | |
|----|----|-----------|-----|-----|-----|------------|-----------------|-----|
| 16 | 16 | 2xø20+ø16 | 162 | 240 | 110 | OT16ELMM4B | 1SCA022467R7940 | 1.6 |
| 25 | 20 | 2xø25+ø16 | 162 | 240 | 110 | OT25ELMM4B | 1SCA022467R8160 | 1.6 |
| 40 | 23 | 2xø25+ø16 | 162 | 240 | 110 | OT32ELMM4B | 1SCA022467R8320 | 1.6 |
| 63 | 45 | 2xø32+ø16 | 162 | 240 | 110 | OT45ELMM4B | 1SCA022467R8590 | 2.0 |
| 80 | 63 | 2xø32+ø16 | 162 | 240 | 110 | OT63ELMM4B | 1SCA022467R7430 | 2.0 |

Includes selector-type black handle (I-0 and ON-OFF indication), N- and PE-terminals.

Cable knock-outs as standard, flanges have to be ordered separately.

| | | | | | | | | |
|-----|----|----------|-----|-----|-----|-------------|-----------------|-----|
| 125 | 90 | B-flange | 233 | 350 | 140 | OT125ELBB4B | 1SCA022467R8910 | 5.0 |
|-----|----|----------|-----|-----|-----|-------------|-----------------|-----|

OT125...1600_
S00834A



Delivery without cable entries, top and bottom sides are open. Cable entries for C-flanges or for ring-flanges have to be ordered separately, see accessories. These entries are used also for fixing the enclosed switches. Flanges have to be ordered separately too. Includes pistol-type black handle (I-0 and ON-OFF indication), N- and PE-terminals.

| | | | | | | | | |
|------|------|------|-----|------|-----|--------------|-----------------|------|
| 125 | 90 | Open | 250 | 400 | 180 | OT125ALAA4B | 1SCA022340R9560 | 10.0 |
| 160 | 135 | Open | 250 | 400 | 180 | OT160ELAA4B | 1SCA022340R9720 | 10.0 |
| 200 | 200 | Open | 400 | 600 | 230 | OT200KLAA4B | 1SCA022341R0140 | 17.0 |
| 250 | 250 | Open | 400 | 600 | 230 | OT250KLAA4B | 1SCA022341R0570 | 17.0 |
| 315 | 315 | Open | 400 | 600 | 230 | OT315KLAA4B | 1SCA022341R0900 | 17.0 |
| 400 | 400 | Open | 400 | 800 | 230 | OT400DLAA4B | 1SCA022341R1380 | 23.0 |
| 570 | 570 | Open | 400 | 1000 | 230 | OT630KLAA4B | 1SCA022341R1710 | 30.0 |
| 720 | 720 | Open | 400 | 1000 | 230 | OT800KLAA4B | 1SCA022337R4830 | 30.0 |
| 1000 | 1000 | Open | 800 | 1200 | 230 | OT1000KLAA4B | 1SCA022437R9760 | 73.0 |
| 1250 | 1250 | Open | 800 | 1200 | 330 | OT1250KLAA4B | 1SCA022437R9480 | 90.0 |
| 1600 | 1250 | Open | 800 | 1200 | 330 | OT1600KLAA4B | 1SCA022437R9920 | 92.0 |

Ordering information

Steel sheet enclosed switch-disconnectors

OTL16_...63_
S01345A



3-pole front operated switch-disconnectors

Steel sheet enclosed, IP65, red-yellow

| Rated operational current [A] | AC22A AC23A | Cable outlets/ side | Enclosure size [mm] | | | Type | Order number | Weight [kg] |
|-------------------------------|-------------|---------------------|---------------------|---|---|------|--------------|-------------|
| | | | W | H | D | | | |
| ≤690V | ≤415V | | | | | | | |

Includes selector-type red-yellow handle (I-0 and ON-OFF indication), N- and PE-terminals.

Cable knock-outs as standard, compression glands have to be ordered separately.

| | | | | | | | | |
|----|----|-----------|-----|-----|-----|-----------|-----------------|-----|
| 16 | 16 | 2xø25+ø16 | 150 | 200 | 100 | OTL16BA3M | 1SCA022562R1850 | 1.7 |
| 25 | 20 | 2xø25+ø16 | 150 | 200 | 100 | OTL25BA3M | 1SCA022562R3040 | 1.7 |
| 40 | 23 | 2xø25+ø16 | 150 | 200 | 100 | OTL32BA3M | 1SCA022562R4100 | 1.7 |
| 63 | 45 | 2xø32+ø16 | 150 | 200 | 100 | OTL45BA3M | 1SCA022562R5330 | 1.9 |
| 80 | 63 | 2xø32+ø16 | 150 | 200 | 100 | OTL63BA3M | 1SCA022562R6570 | 1.9 |

Includes pistol-type red-yellow handle (I-0 and ON-OFF indication), N- and PE-terminals.

Cable knock-outs as standard, flanges have to be ordered separately.

| | | | | | | | | |
|-----|----|----------|-----|-----|-----|------------|-----------------|-----|
| 100 | 80 | B-flange | 200 | 300 | 150 | OTL100BA3B | 1SCA022562R8940 | 3.4 |
| 100 | 80 | - | 200 | 300 | 150 | OTL100BA3U | 1SCA022562R9080 | 3.4 |
| 125 | 90 | B-flange | 200 | 300 | 150 | OTL125BA3B | 1SCA022563R0250 | 3.4 |
| 125 | 90 | - | 200 | 300 | 150 | OTL125BA3U | 1SCA022563R0330 | 3.4 |

OTL100BA3B, OTL125BA3B
S01347A



OTL16_...63_
S01345A



4-pole front operated switch-disconnectors

Steel sheet enclosed, IP65, red-yellow

| Rated operational current [A] | AC22A AC23A | Cable outlets/ side | Enclosure size [mm] | | | Type | Order number | Weight [kg] |
|-------------------------------|-------------|---------------------|---------------------|---|---|------|--------------|-------------|
| | | | W | H | D | | | |
| ≤690V | ≤415V | | | | | | | |

Includes selector-type red-yellow handle (I-0 and ON-OFF indication), N- and PE-terminals.

Cable knock-outs as standard, compression glands have to be ordered separately.

| | | | | | | | | |
|----|----|-----------|-----|-----|-----|-----------|-----------------|-----|
| 16 | 16 | 2xø25+ø16 | 150 | 200 | 100 | OTL16BA4M | 1SCA022562R2070 | 1.7 |
| 25 | 20 | 2xø25+ø16 | 150 | 200 | 100 | OTL25BA4M | 1SCA022562R3210 | 1.7 |
| 40 | 23 | 2xø25+ø16 | 150 | 200 | 100 | OTL32BA4M | 1SCA022562R4360 | 1.7 |
| 63 | 45 | 2xø32+ø16 | 150 | 200 | 100 | OTL45BA4M | 1SCA022562R5500 | 1.9 |
| 80 | 63 | 2xø32+ø16 | 150 | 200 | 100 | OTL63BA4M | 1SCA022562R6730 | 1.9 |

Includes pistol-type red-yellow handle (I-0 and ON-OFF indication), N- and PE-terminals.

Cable knock-outs as standard, flanges have to be ordered separately.

| | | | | | | | | |
|-----|----|----------|-----|-----|-----|------------|-----------------|-----|
| 100 | 80 | B-flange | 200 | 300 | 150 | OTL100BA4B | 1SCA022562R9160 | 3.4 |
| 100 | 80 | - | 200 | 300 | 150 | OTL100BA4U | 1SCA022562R9240 | 3.4 |
| 125 | 90 | B-flange | 200 | 300 | 150 | OTL125BA4B | 1SCA022563R0410 | 3.4 |
| 125 | 90 | - | 200 | 300 | 150 | OTL125BA4U | 1SCA022563R0500 | 3.4 |

OTL100BA4B, OTL125BA4B
S01347A



Ordering information

Steel sheet enclosed switch-disconnectors

OTL16...32_

S01345A



6-pole front operated switch-disconnectors

Steel sheet enclosed, IP65, red-yellow

| Rated operational current [A] | Cable outlets/ side | Enclosure size [mm] | Type | Order number | Weight [kg] |
|-------------------------------|---------------------|---------------------|------|--------------|-------------|
| AC22A AC23A ≤690V ≤415V | | W H D | | | |

Includes selector-type red-yellow handle (I-0 and ON-OFF indication), N- and PE-terminals.

Cable knock-outs as standard, compression glands have to be ordered separately.

| | | | | | | |
|----|----|-----------|-------------|-----------|-----------------|-----|
| 16 | 16 | 2xø25+ø16 | 150 200 100 | OTL16BA6M | 1SCA022562R2230 | 1.8 |
| 25 | 20 | 2xø25+ø16 | 150 200 100 | OTL25BA6M | 1SCA022562R3470 | 1.8 |
| 40 | 23 | 2xø25+ø16 | 150 200 100 | OTL32BA6M | 1SCA022562R4520 | 1.8 |

Includes pistol-type red-yellow handle (I-0 and ON-OFF indication), N- and PE-terminals.

Cable knock-outs as standard, flanges have to be ordered separately.

| | | | | | | |
|----|----|----------|-------------|-----------|-----------------|-----|
| 63 | 45 | B-flange | 200 300 150 | OTL45BA6B | 1SCA022610R5110 | 3.5 |
| 63 | 45 | - | 200 300 150 | OTL45BA6U | 1SCA022610R5200 | 3.5 |
| 80 | 63 | B-flange | 200 300 150 | OTL63BA6B | 1SCA022610R5380 | 3.5 |
| 80 | 63 | - | 200 300 150 | OTL63BA6U | 1SCA022610R5460 | 3.5 |

OTL45BA6B, OTL63BA6B

S01347A



Ordering information

Stainless steel sheet enclosed switch-disconnectors

OTR16...63B3M
S01211A



3-pole front operated switch-disconnectors

Stainless steel sheet enclosed, IP65

| Rated operational current [A] | | Cable outlets/ side | Enclosure size [mm] | | | Type | Order number | Weight [kg] |
|-------------------------------|----------------|------------------------|---------------------|---|---|------|--------------|-------------|
| AC22A ≤690V | AC23A ≤415V | | W | H | D | | | |

Includes selector-type black handle (I-0 and ON-OFF indication), N- and PE-terminals.

Cable knock-outs as standard, compression glands have to be ordered separately.

| | | | | | | | | |
|----|----|-----------|-----|-----|-----|----------|-----------------|-----|
| 16 | 16 | 2xø25+ø16 | 150 | 200 | 100 | OTR16B3M | 1SCA022567R9420 | 1.7 |
| 25 | 20 | 2xø25+ø16 | 150 | 200 | 100 | OTR25B3M | 1SCA022567R9690 | 1.7 |
| 40 | 23 | 2xø25+ø16 | 150 | 200 | 100 | OTR32B3M | 1SCA022567R9850 | 1.7 |
| 63 | 45 | 2xø32+ø16 | 150 | 200 | 100 | OTR45B3M | 1SCA022567R0010 | 1.9 |
| 80 | 63 | 2xø32+ø16 | 150 | 200 | 100 | OTR63B3M | 1SCA022567R0270 | 1.9 |

Includes pistol-type black handle (I-0 and ON-OFF indication), N- and PE-terminals.

Cable knock-outs as standard, flanges have to be ordered separately.

| | | | | | | | | |
|-----|----|----------|-----|-----|-----|-----------|-----------------|-----|
| 100 | 80 | B-flange | 200 | 300 | 135 | OTR100B3B | 1SCA022568R0510 | 3.4 |
| 100 | 80 | - | 200 | 300 | 135 | OTR100B3U | 1SCA022568R0600 | 3.4 |
| 125 | 90 | B-flange | 200 | 300 | 135 | OTR125B3B | 1SCA022568R0780 | 3.4 |
| 125 | 90 | - | 200 | 300 | 135 | OTR125B3U | 1SCA022568R0860 | 3.4 |

OTR100...125B3B
S01251A



OTR16...63B4M
S01211A



4-pole front operated switch-disconnectors

Stainless steel sheet enclosed, IP65

| Rated operational current [A] | | Cable outlets/ side | Enclosure size [mm] | | | Type | Order number | Weight [kg] |
|-------------------------------|----------------|------------------------|---------------------|---|---|------|--------------|-------------|
| AC22A ≤690V | AC23A ≤415V | | W | H | D | | | |

Includes selector-type black handle (I-0 and ON-OFF indication), N- and PE-terminals.

Cable knock-outs as standard, compression glands have to be ordered separately.

| | | | | | | | | |
|----|----|-----------|-----|-----|-----|----------|-----------------|-----|
| 16 | 16 | 2xø25+ø16 | 150 | 200 | 100 | OTR16B4M | 1SCA022568R1080 | 1.7 |
| 25 | 20 | 2xø25+ø16 | 150 | 200 | 100 | OTR25B4M | 1SCA022568R1240 | 1.7 |
| 40 | 23 | 2xø25+ø16 | 150 | 200 | 100 | OTR32B4M | 1SCA022568R1410 | 1.7 |
| 63 | 45 | 2xø32+ø16 | 150 | 200 | 100 | OTR45B4M | 1SCA022568R1670 | 1.9 |
| 80 | 63 | 2xø32+ø16 | 150 | 200 | 100 | OTR63B4M | 1SCA022568R1830 | 1.9 |

Includes pistol-type black handle (I-0 and ON-OFF indication), N- and PE-terminals.

Cable knock-outs as standard, flanges have to be ordered separately.

| | | | | | | | | |
|-----|----|----------|-----|-----|-----|-----------|-----------------|-----|
| 100 | 80 | B-flange | 200 | 300 | 135 | OTR100B4B | 1SCA022568R2130 | 3.4 |
| 100 | 80 | - | 200 | 300 | 135 | OTR100B4U | 1SCA022568R2210 | 3.4 |
| 125 | 90 | B-flange | 200 | 300 | 135 | OTR125B4B | 1SCA022568R2300 | 3.4 |
| 125 | 90 | - | 200 | 300 | 135 | OTR125B4U | 1SCA022568R2480 | 3.4 |

OTR100...125B4B
S01251A



Ordering information

Stainless steel sheet enclosed switch-disconnectors

OTR16...32B6M
S01211A



6-pole front operated switch-disconnectors

Stainless steel sheet enclosed, IP65

| Rated operational current [A] AC22A AC23A ≤690V ≤415V | Cable outlets/ side | Enclosure size [mm] | | | Type | Order number | Weight [kg] |
|---|------------------------|---------------------|---|---|------|--------------|-------------|
| | | W | H | D | | | |

Includes selector-type black handle (I-0 and ON-OFF indication), N- and PE-terminals.

Cable knock-outs as standard, compression glands have to be ordered separately.

| | | | | | | | | |
|----|----|-----------|-----|-----|-----|----------|-----------------|-----|
| 16 | 16 | 2xø25+ø16 | 150 | 200 | 100 | OTR16B6M | 1SCA022575R2440 | 1.8 |
| 25 | 20 | 2xø25+ø16 | 150 | 200 | 100 | OTR25B6M | 1SCA022575R2870 | 1.8 |
| 40 | 23 | 2xø25+ø16 | 150 | 200 | 100 | OTR32B6M | 1SCA022575R3250 | 1.8 |

Includes pistol-type black handle (I-0 and ON-OFF indication), N- and PE-terminals.

Cable knock-outs as standard, flanges have to be ordered separately.

| | | | | | | | | |
|----|----|----------|-----|-----|-----|----------|-----------------|-----|
| 63 | 45 | B-flange | 200 | 300 | 135 | OTR45B6B | 1SCA022611R6660 | 3.5 |
| 63 | 45 | - | 200 | 300 | 135 | OTR45B6U | 1SCA022611R6820 | 3.5 |
| 80 | 63 | B-flange | 200 | 300 | 135 | OTR63B6B | 1SCA022611R7120 | 3.5 |
| 80 | 63 | - | 200 | 300 | 135 | OTR63B6U | 1SCA022611R7210 | 3.5 |

OTR45...63B6B
S01251A



Ordering information

Stainless steel sheet enclosed switch-disconnectors

OTR16_...63_
S01345A



3-pole front operated switch-disconnectors

Stainless steel sheet enclosed, IP65, red-yellow

| Rated operational current [A] | AC22A AC23A | Cable outlets/ side | Enclosure size [mm] | | | Type | Order number | Weight [kg] |
|-------------------------------|-------------|---------------------|---------------------|---|---|------|--------------|-------------|
| | | | W | H | D | | | |
| ≤690V | ≤415V | | | | | | | |

Includes selector-type red-yellow handle (I-0 and ON-OFF indication), N- and PE-terminals.

Cable knock-outs as standard, compression glands have to be ordered separately.

| | | | | | | | | |
|----|----|-----------|-----|-----|-----|-----------|-----------------|-----|
| 16 | 16 | 2xø25+ø16 | 150 | 200 | 100 | OTR16BA3M | 1SCA022569R5110 | 1.7 |
| 25 | 20 | 2xø25+ø16 | 150 | 200 | 100 | OTR25BA3M | 1SCA022569R5540 | 1.7 |
| 40 | 23 | 2xø25+ø16 | 150 | 200 | 100 | OTR32BA3M | 1SCA022569R5970 | 1.7 |
| 63 | 45 | 2xø32+ø16 | 150 | 200 | 100 | OTR45BA3M | 1SCA022569R6350 | 1.9 |
| 80 | 63 | 2xø32+ø16 | 150 | 200 | 100 | OTR63BA3M | 1SCA022569R6780 | 1.9 |

Includes pistol-type red-yellow handle (I-0 and ON-OFF indication), N- and PE-terminals.

Cable knock-outs as standard, flanges have to be ordered separately.

| | | | | | | | | |
|-----|----|----------|-----|-----|-----|------------|-----------------|-----|
| 100 | 80 | B-flange | 200 | 300 | 135 | OTR100BA3B | 1SCA022569R7320 | 3.4 |
| 100 | 80 | - | 200 | 300 | 135 | OTR100BA3U | 1SCA022569R7590 | 3.4 |
| 125 | 90 | B-flange | 200 | 300 | 135 | OTR125BA3B | 1SCA022569R7750 | 3.4 |
| 125 | 90 | - | 200 | 300 | 135 | OTR125BA3U | 1SCA022569R7910 | 3.4 |

OTR100BA3B, OTR125BA3B
S01347A



OTR16_...63_
S01345A



4-pole front operated switch-disconnectors

Stainless steel sheet enclosed, IP65, red-yellow

| Rated operational current [A] | AC22A AC23A | Cable outlets/ side | Enclosure size [mm] | | | Type | Order number | Weight [kg] |
|-------------------------------|-------------|---------------------|---------------------|---|---|------|--------------|-------------|
| | | | W | H | D | | | |
| ≤690V | ≤415V | | | | | | | |

Includes selector-type red-yellow handle (I-0 and ON-OFF indication), N- and PE-terminals.

Cable knock-outs as standard, compression glands have to be ordered separately.

| | | | | | | | | |
|----|----|-----------|-----|-----|-----|-----------|-----------------|-----|
| 16 | 16 | 2xø25+ø16 | 150 | 200 | 100 | OTR16BA4M | 1SCA022569R5200 | 1.7 |
| 25 | 20 | 2xø25+ø16 | 150 | 200 | 100 | OTR25BA4M | 1SCA022569R5620 | 1.7 |
| 40 | 23 | 2xø25+ø16 | 150 | 200 | 100 | OTR32BA4M | 1SCA022569R6010 | 1.7 |
| 63 | 45 | 2xø32+ø16 | 150 | 200 | 100 | OTR45BA4M | 1SCA022569R6430 | 1.9 |
| 80 | 63 | 2xø32+ø16 | 150 | 200 | 100 | OTR63BA4M | 1SCA022569R6860 | 1.9 |

Includes pistol-type red-yellow handle (I-0 and ON-OFF indication), N- and PE-terminals.

Cable knock-outs as standard, flanges have to be ordered separately.

| | | | | | | | | |
|-----|----|----------|-----|-----|-----|------------|-----------------|-----|
| 100 | 80 | B-flange | 200 | 300 | 135 | OTR100BA4B | 1SCA022569R7410 | 3.4 |
| 100 | 80 | - | 200 | 300 | 135 | OTR100BA4U | 1SCA022569R7670 | 3.4 |
| 125 | 90 | B-flange | 200 | 300 | 135 | OTR125BA4B | 1SCA022569R7830 | 3.4 |
| 125 | 90 | - | 200 | 300 | 135 | OTR125BA4U | 1SCA022569R8050 | 3.4 |

OTR100BA4B, OTR125BA4B
S01347A



Ordering information

Stainless steel sheet enclosed switch-disconnectors

OTR16_...32_
S01345A



6-pole front operated switch-disconnectors

Stainless steel sheet enclosed, IP65, red-yellow

| Rated operational current [A] | | Cable outlets/ side | Enclosure size [mm] | | | Type | Order number | Weight [kg] |
|-------------------------------|-------|------------------------|---------------------|---|---|------|--------------|-------------|
| AC22A | AC23A | | W | H | D | | | |
| ≤690V | ≤415V | | | | | | | |

Includes selector-type red-yellow handle (I-0 and ON-OFF indication), N- and PE-terminals.

Cable knock-outs as standard, compression glands have to be ordered separately.

| | | | | | | | | |
|----|----|-----------|-----|-----|-----|-----------|-----------------|-----|
| 16 | 16 | 2xø25+ø16 | 150 | 200 | 100 | OTR16BA6M | 1SCA022575R2610 | 1.8 |
| 25 | 20 | 2xø25+ø16 | 150 | 200 | 100 | OTR25BA6M | 1SCA022575R3090 | 1.8 |
| 40 | 23 | 2xø25+ø16 | 150 | 200 | 100 | OTR32BA6M | 1SCA022575R3410 | 1.8 |

Includes pistol-type red-yellow handle (I-0 and ON-OFF indication), N- and PE-terminals.

Cable knock-outs as standard, flanges have to be ordered separately.

| | | | | | | | | |
|----|----|----------|-----|-----|-----|-----------|-----------------|-----|
| 63 | 45 | B-flange | 200 | 300 | 135 | OTR45BA6B | 1SCA022611R6910 | 3.5 |
| 63 | 45 | - | 200 | 300 | 135 | OTR45BA6U | 1SCA022611R7040 | 3.5 |
| 80 | 63 | B-flange | 200 | 300 | 135 | OTR63BA6B | 1SCA022611R7390 | 3.5 |
| 80 | 63 | - | 200 | 300 | 135 | OTR63BA6U | 1SCA022611R7470 | 3.5 |

OTR45BA6B, OTR63BA6B
S01347A



Ordering information

Aluminum enclosed switch-disconnectors

KSE225 DP, KSE325 TPN,
KSE425 TPSN
2CMC342002F0008



2-pole side operated switch-disconnectors

Aluminum enclosed, IP65

Enclosure in Aluminum alloy (Silumin) with metric threaded cable entries and handle in PBT plastic. Light grey box with dark grey cover and operating handle. Delivery includes PE terminal and membrane glands (IP54) / sealing plugs. For IP65 degree of protection compression glands must be used.

KSE240 DP, KSE340 TPN,
KSE440 TPSN
2CMC342002F0010



| Rated operational current [A] | | | | Cable sizes | Enclosure size [mm] | | | Type | Order number | Weight [kg] |
|-------------------------------|-------|-------|-------|-----------------------|---------------------|-----|----|-----------|-----------------|-------------|
| AC22A | AC23A | AC23A | AC23A | | W | H | D | | | |
| 230V | 400V | 400V | | Up/Down | | | | | | |
| 25 | 25 | 16 | | 2xM25/2xM25 | 111 | 130 | 60 | KSE225 DP | 2CMA142411R1000 | 0.54 |
| 40 | 40 | 32 | | 2xM32/ 2xM32+1xM16 | 138 | 168 | 68 | KSE240 DP | 2CMA142414R1000 | 0.78 |

3-pole side operated switch-disconnectors

Aluminum enclosed, IP65

Enclosure in Aluminum alloy (Silumin) with metric threaded cable entries and handle in PBT plastic. Light grey box with dark grey cover and operating handle. Delivery includes PE+neutral terminal and membrane glands (IP54) / sealing plugs. For IP65 degree of protection compression glands must be used.

| Rated operational current [A] | | | | | Cable sizes | Enclosure size [mm] | | | Type | Order number | Weight [kg] |
|-------------------------------|-------|-------|-------|-------|-----------------------|---------------------|-----|----|------------|-----------------|-------------|
| AC22A | AC23A | AC23A | AC23A | AC23A | | W | H | D | | | |
| 400V | 500V | 690V | 500V | | Up/Down | | | | | | |
| 25 | 25 | 16 | 16 | | 2xM25/2xM25 | 111 | 130 | 60 | KSE325 TPN | 2CMA142412R1000 | 0.56 |
| 40 | 40 | 32 | 25 | | 2xM32/ 2xM32+1xM16 | 138 | 168 | 68 | KSE340 TPN | 2CMA142415R1000 | 0.79 |

4-pole side operated switch-disconnectors

Aluminum enclosed, IP65

Enclosure in Aluminum alloy (Silumin) with metric threaded cable entries and handle in PBT plastic. Light grey box with dark grey cover and operating handle. Delivery includes PE terminal and membrane glands (IP54) / sealing plugs. For IP65 degree of protection compression glands must be used.

| Rated operational current [A] | | | | | Cable sizes | Enclosure size [mm] | | | Type | Order number | Weight [kg] |
|-------------------------------|-------|-------|-------|-------|-----------------------|---------------------|-----|----|-------------|-----------------|-------------|
| AC22A | AC23A | AC23A | AC23A | AC23A | | W | H | D | | | |
| 400V | 500V | 690V | 500V | | Up/Down | | | | | | |
| 25 | 25 | 16 | 16 | | 2xM25/2xM25 | 111 | 130 | 60 | KSE425 TPSN | 2CMA142413R1000 | 0.56 |
| 40 | 40 | 32 | 25 | | 2xM32/ 2xM32+1xM16 | 138 | 168 | 68 | KSE440 TPSN | 2CMA142416R1000 | 0.8 |

Ordering information

Aluminum enclosed switch-disconnectors

KSE363 TPN, KSE380 TPN,
KSE3125 TPN
2CMC341011F0075



3-pole front operated switch-disconnectors

Aluminum enclosed, IP65

Enclosure in Aluminum alloy (Silumin) with metric threaded cable entries. Light grey box with dark grey cover. Operating handle in black PBT plastic. Delivery includes PE+neutral terminal and membrane glands (IP54) / sealing plugs. For IP65 degree of protection compression glands must be used.

KSE363D/TPN
2CMC341011F0075



| Rated operational current [A] | | | | | Cable sizes | Enclosure size [mm] | | | Type | Order number | Weight [kg] |
|-------------------------------|------|-------|------|------------------------|-------------|---------------------|-----|--------------|-----------------|--------------|-------------|
| AC22A | | AC23A | | Up/Down | | W | H | D | | | |
| 400V | 500V | 690V | 500V | | | | | | | | |
| 63 | 63 | 45 | 45 | 2xM40/ 2xM40+1xM16 | 160 | 230 | 145 | KSE363 TPN | 2CMA144580R1000 | 1.75 | |
| 63 | 63 | 45 | 45 | Closed/ 2xM40+1xM16 | 160 | 230 | 145 | KSE363 D/TPN | 2CMA144581R1000 | 1.76 | |
| 80 | 80 | 75 | 58 | 2xM40/ 2xM40+1xM16 | 160 | 230 | 145 | KSE380 TPN | 2CMA144583R1000 | 1.75 | |
| 125 | 125 | 90 | 70 | 2xM40/ 2xM40+1xM16 | 160 | 230 | 145 | KSE3125 TPN | 2CMA144588R1000 | 1.84 | |

KSE463 TPSN, KSE480 TPSN
2CMC341011F0075



4-pole front operated switch-disconnectors

Aluminum enclosed, IP65

Enclosure in Aluminum alloy (Silumin) with metric threaded cable entries. Light grey box with dark grey cover. Operating handle in black PBT plastic. Delivery includes PE terminal and membrane glands (IP54) / sealing plugs. For IP65 degree of protection compression glands must be used.

| Rated operational current [A] | | | | | Cable sizes | Enclosure size [mm] | | | Type | Order number | Weight [kg] |
|-------------------------------|------|-------|------|-----------------------|-------------|---------------------|-----|-------------|-----------------|--------------|-------------|
| AC22A | | AC23A | | Up/Down | | W | H | D | | | |
| 400V | 500V | 690V | 500V | | | | | | | | |
| 63 | 63 | 45 | 45 | 2xM40/ 2xM40+1xM16 | 160 | 230 | 145 | KSE463 TPSN | 2CMA144582R1000 | 1.76 | |
| 80 | 80 | 75 | 58 | 2xM40/ 2xM40+1xM16 | 160 | 230 | 145 | KSE480 TPSN | 2CMA144584R1000 | 1.75 | |

Ordering information

Aluminum enclosed switch-disconnectors

KSE3160, 3250, 3315, 3500, 3630
2CMC341011F0023



3-pole front operated switch-disconnectors

Aluminum enclosed, IP65

White enclosure in Aluminum alloy (Silumin) with black plastic pistol handle.
Delivery includes PE and neutral terminals and rubber cable entry glands.

| Rated operational current [A] | | Cable sizes Down | Enclosure size [mm] | | | Type | Order number | Weight [kg] |
|-------------------------------|---------------|---------------------|---------------------|-----|-----|---------|-----------------|-------------|
| AC22A 690V | AC23A 400V | | W | H | D | | | |
| 160 | 125 | 2xØ18-48 | 400 | 405 | 234 | KSE3160 | 2CMA144712R1000 | 9.9 |
| 250 | 250 | 4xØ30-68 | 465 | 555 | 322 | KSE3250 | 2CMA144713R1000 | 23 |
| 315 | 315 | 4xØ30-68 | 465 | 555 | 322 | KSE3315 | 2CMA144714R1000 | 23 |
| 500 | 400 | 4xØ30-68 | 565 | 655 | 322 | KSE3500 | 2CMA144715R1000 | 36 |
| 630 | 630 | 4xØ30-68 | 565 | 655 | 322 | KSE3630 | 2CMA144716R1000 | 37 |

Ordering information

Aluminum enclosed switch-disconnectors

KSF225 DP, KSF325 TPN,
KSF425 TPSN
2CMC342002F0012



2-pole side operated Fireman's switches

Aluminum enclosed, IP65, red

Red painted switch-disconnectors for use by firemen to disconnect in case of fire. Enclosure in Aluminum alloy (Silumin) with metric threaded cable entries and special operating handle with loop and interlocking mechanism. Delivery includes PE terminal and membrane glands (IP54) / sealing plugs. For IP65 degree of protection compression glands must be used.

| Rated operational current [A] | | | | Cable sizes | Enclosure size [mm] | | | Type | Order number | Weight [kg] |
|-------------------------------|-------|------|---------|-------------|---------------------|-----|----|-----------|-----------------|-------------|
| AC22A | AC23A | | Up/Down | | W | H | D | | | |
| 230V | 400V | 400V | | 2xM25/2xM25 | 111 | 130 | 60 | KSF225 DP | 2CMA142435R1000 | 0.57 |
| 25 | 25 | 16 | | | | | | | | |

KSF340 TPN, KSF440 TPSN
2CMC342002F0013



3-pole side operated Fireman's switches

Aluminum enclosed, IP65, red

Red painted switch-disconnectors for use by firemen to disconnect in case of fire. Enclosure in Aluminum alloy (Silumin) with metric threaded cable entries and special operating handle with loop and interlocking mechanism. Delivery includes PE+neutral terminal and membrane glands (IP54) / sealing plugs. For IP65 degree of protection compression glands must be used.

| Rated operational current [A] | | | | | Cable sizes | Enclosure size [mm] | | | Type | Order number | Weight [kg] |
|-------------------------------|-------|------|---------|-------------|-----------------------|---------------------|-----|---------------|-----------------|-----------------|-------------|
| AC22A | AC23A | | Up/Down | | | W | H | D | | | |
| 400V | 500V | 690V | 500V | 2xM25/2xM25 | 111 | 130 | 60 | KSF325 TPN | 2CMA142436R1000 | 0.59 | |
| 25 | 25 | 16 | 16 | | | | | | | | |
| 25 | 25 | 16 | 16 | 2xM25/2xM25 | 111 | 130 | 60 | KSF325 TPN NO | 2CMA142442R1000 | 0.6 | |
| 40 | 40 | 32 | 25 | | | | | | | | |
| | | | | | 2xM32/ 2xM32+1xM16 | 138 | 168 | 68 | KSF340 TPN | 2CMA142438R1000 | 0.82 |

4-pole side operated Fireman's switches

Aluminum enclosed, IP65, red

Red painted switch-disconnectors for use by firemen to disconnect in case of fire. Enclosure in Aluminum alloy (Silumin) with metric threaded cable entries and special operating handle with loop and interlocking mechanism. Delivery includes PE terminal and membrane glands (IP54) / sealing plugs. For IP65 degree of protection compression glands must be used.

| Rated operational current [A] | | | | | Cable sizes | Enclosure size [mm] | | | Type | Order number | Weight [kg] |
|-------------------------------|-------|------|---------|-----------------------|-------------|---------------------|----|-------------|-----------------|--------------|-------------|
| AC22A | AC23A | | Up/Down | | | W | H | D | | | |
| 400V | 500V | 690V | 500V | 2xM25/2xM25 | 111 | 130 | 60 | KSF425 TPSN | 2CMA142437R1000 | 0.59 | |
| 25 | 25 | 16 | 16 | | | | | | | | |
| 40 | 40 | 32 | 25 | 2xM32/ 2xM32+1xM16 | 138 | 168 | 68 | KSF440 TPSN | 2CMA142439R1000 | 0.83 | |

Ordering information

Steel sheet enclosed change-over switches

OT16...63_C
S00823A



3-pole front operated change-over switches

Steel sheet enclosed, IP54*

| Rated operational current [A] | | Cable outlets/ side | Enclosure size [mm] | | | Type | Order number | Weight [kg] |
|-------------------------------|-------------|---------------------|---------------------|---|---|------|--------------|-------------|
| AC22A ≤690V | AC23A ≤415V | | W | H | D | | | |

Includes pistol type black handle (I-O-II indication), N- and PE-terminals. Cable knock-outs as standard, compression glands and connection bars for parallel connection have to be ordered separately.

| | | | | | | | | |
|----|----|---------------|-----|-----|-----|------------|-----------------|-----|
| 16 | 16 | 2xø25+ø16 | 233 | 350 | 140 | OT16ELMM3C | 1SCA022473R1070 | 1.9 |
| 16 | 16 | 2xø28,3+ø18,6 | 233 | 350 | 140 | OT16ELPP3C | 1SCA022473R1310 | 1.9 |
| 25 | 20 | 2xø25+ø16 | 233 | 350 | 140 | OT25ELMM3C | 1SCA022473R1580 | 1.9 |
| 25 | 20 | 2xø28,3+ø18,6 | 233 | 350 | 140 | OT25ELPP3C | 1SCA022473R1740 | 1.9 |
| 40 | 23 | 2xø25+ø16 | 233 | 350 | 140 | OT32ELMM3C | 1SCA022473R1910 | 1.9 |
| 40 | 23 | 2xø28,3+ø18,6 | 233 | 350 | 140 | OT32ELPP3C | 1SCA022473R2120 | 1.9 |
| 63 | 45 | 2xø32+ø16 | 233 | 350 | 140 | OT45ELMM3C | 1SCA022473R2390 | 4.0 |
| 63 | 45 | 2xø37+ø18,6 | 233 | 350 | 140 | OT45ELPP3C | 1SCA022473R2550 | 4.0 |
| 80 | 63 | 2xø32+ø16 | 233 | 350 | 140 | OT63ELMM3C | 1SCA022473R2710 | 4.0 |
| 80 | 63 | 2xø37+ø18,6 | 233 | 350 | 140 | OT63ELPP3C | 1SCA022473R2980 | 4.0 |

Delivery without cable entries, top and bottom sides are open. Cable entries for C-flanges or for ring-flanges have to be ordered separately, see accessories. These entries are used also for fixing the enclosed switches. Flanges and connection bars for parallel connection have to be ordered separately too. Includes pistol type black handle (I-O-II indication), N- and PE-terminals.

| | | | | | | | | |
|-----|-----|------|-----|------|-----|-------------|-----------------|------|
| 160 | 135 | Open | 400 | 600 | 230 | OT160KLAA3C | 1SCA120678R1001 | 20.0 |
| 200 | 200 | Open | 400 | 600 | 230 | OT200KLAA3C | 1SCA022280R2360 | 31.0 |
| 250 | 250 | Open | 400 | 600 | 230 | OT250KLAA3C | 1SCA022280R2520 | 36.0 |
| 315 | 315 | Open | 400 | 800 | 330 | OT315KLAA3C | 1SCA022280R2790 | 36.0 |
| 400 | 400 | Open | 400 | 800 | 330 | OT400DLAA3C | 1SCA022280R2950 | 39.0 |
| 570 | 570 | Open | 800 | 1000 | 330 | OT630KLAA3C | 1SCA022280R3170 | 48.0 |
| 720 | 720 | Open | 800 | 1000 | 330 | OT800KLAA3C | 1SCA022389R8310 | 48.0 |

* IP65 available on request

OT125...800_3C
S00834A



OT125...800_4C
S00834A



4-pole front operated change-over switches

Steel sheet enclosed, IP54*

| Rated operational current [A] | | Cable outlets/ side | Enclosure size [mm] | | | Type | Order number | Weight [kg] |
|-------------------------------|-------------|---------------------|---------------------|---|---|------|--------------|-------------|
| AC22A ≤690V | AC23A ≤415V | | W | H | D | | | |

Delivery without cable entries, top and bottom sides are open. Cable entries for C-flanges or for ring-flanges have to be ordered separately, see accessories. These entries are used also for fixing the enclosed switches. Flanges and connection bars for parallel connection have to be ordered separately too. Includes pistol type black handle (I-O-II indication), PE-terminals.

| | | | | | | | | |
|-----|-----|------|-----|------|-----|-------------|-----------------|------|
| 160 | 135 | Open | 400 | 600 | 230 | OT160KLAA4C | 1SCA120697R1001 | 21.0 |
| 200 | 200 | Open | 400 | 600 | 230 | OT200KLAA4C | 1SCA022474R6930 | 31.0 |
| 250 | 250 | Open | 400 | 600 | 230 | OT250KLAA4C | 1SCA022474R7070 | 36.0 |
| 315 | 315 | Open | 400 | 800 | 330 | OT315KLAA4C | 1SCA022474R7150 | 36.0 |
| 400 | 400 | Open | 400 | 800 | 330 | OT400DLAA4C | 1SCA022292R6680 | 39.0 |
| 570 | 570 | Open | 800 | 1000 | 330 | OT630KLAA4C | 1SCA022475R1180 | 48.0 |
| 720 | 720 | Open | 800 | 1000 | 330 | OT800KLAA4C | 1SCA022580R4340 | 48.0 |

* IP65 available on request

Ordering information

Plastic enclosed switch fuses

OS20...32P
S01022A



3-pole front operated switch fuses, BS-type

Plastic enclosed, IP65

| I _{th} +40°C [A] | Rated operational current | Suitable for fuse type | Cable outlets/ side | Enclosure size [mm] | | | Type | Order number | Weight [kg] |
|---------------------------------|---------------------------------|------------------------------|---------------------------|---------------------------|---|---|------|--------------|----------------|
| | AC22A/ AC23A 500V [A/A] | | | BS 88 | W | H | | | |

Includes pistol-type black handle (I-0 and ON-OFF indication), N- and PE-terminals.

Delivery with blank cable entries.

| | | | | | | | | | |
|----|-------|----|---|-----|-----|-----|--------------|-----------------|-----|
| 20 | 20/20 | A1 | - | 175 | 250 | 150 | OS20PA1FUU3B | 1SCA022280R9290 | 1.7 |
| 32 | 32/32 | A1 | - | 175 | 250 | 150 | OS32PA1FUU3B | 1SCA022281R0460 | 1.7 |

Includes pistol-type black handle (I-0 and ON-OFF indication), N- and PE-terminals.

Cable knock-outs as standard, flanges have to be ordered separately.

| | | | | | | | | | |
|-----|---------|-------|-----------|-----|-----|-----|---------------|-----------------|------|
| 32 | 32/32 | A2-A3 | II-flange | 280 | 190 | 180 | OS32GA3FCC3B | 1SCA022281R1600 | 2.8 |
| 63 | 63/63 | A2-A3 | II-flange | 280 | 190 | 180 | OS63GA3FCC3B | 1SCA022280R6780 | 2.8 |
| 125 | 135/100 | A2-A3 | II-flange | 380 | 190 | 180 | OS100GA4FCC3B | 1SCA022280R8560 | 4.9 |
| 200 | 200/200 | B1-B2 | II-flange | 380 | 560 | 280 | OS200BB2FCC3B | 1SCA022280R9110 | 13.6 |
| 315 | 315/315 | B1-B3 | II-flange | 380 | 560 | 280 | OS315BB3FCC3B | 1SCA022281R0380 | 14.6 |
| 400 | 400/400 | B1-B4 | II-flange | 380 | 560 | 280 | OS400BB4FCC3B | 1SCA022302R6630 | 14.6 |

OS32G...400
S00835A



4-pole front operated switch fuses, BS-type

Plastic enclosed, IP65

| I _{th} +40°C [A] | Rated operational current | Suitable for fuse type | Cable outlets/ side | Enclosure size [mm] | | | Type | Order number | Weight [kg] |
|---------------------------------|---------------------------------|------------------------------|---------------------------|---------------------------|---|---|------|--------------|----------------|
| | AC22A/ AC23A 500V [A/A] | | | BS 88 | W | H | | | |

Includes pistol-type black handle (I-0 and ON-OFF indication), N- and PE-terminals.

Delivery with blank cable entries.

| | | | | | | | | | |
|----|-------|----|---|-----|-----|-----|--------------|-----------------|-----|
| 20 | 20/10 | A1 | - | 175 | 250 | 150 | OS20PA1FUU4B | 1SCA022280R9880 | 1.8 |
| 32 | 32/15 | A1 | - | 175 | 250 | 150 | OS32PA1FUU4B | 1SCA022281R1010 | 1.8 |

Includes pistol-type black handle (I-0 and ON-OFF indication), N- and PE-terminals.

Cable knock-outs as standard, flanges have to be ordered separately.

| | | | | | | | | | |
|-----|---------|-------|-----------|-----|-----|-----|---------------|-----------------|------|
| 32 | 32/15 | A2-A3 | II-flange | 280 | 190 | 180 | OS32GA3FCC4B | 1SCA022280R6190 | 3.0 |
| 63 | 63/30 | A2-A3 | II-flange | 280 | 190 | 180 | OS63GA3FCC4B | 1SCA022280R7320 | 3.0 |
| 125 | 100/55 | A2-A3 | II-flange | 380 | 190 | 180 | OS100GA4FCC4B | 1SCA022280R7910 | 5.2 |
| 200 | 200/110 | B1-B2 | II-flange | 380 | 560 | 280 | OS200BB2FCC4B | 1SCA022280R9700 | 14.4 |

Ordering information

Plastic enclosed switch fuses

OS00-32...400
S00835A



3-pole front operated switch fuses, DIN-type

Plastic enclosed, IP65

| I _{th} +40°C [A] | Rated operational current | Suitable for fuse type | Cable outlets/ side | Enclosure size [mm] | | | Type | Order number | Weight [kg] |
|---------------------------------|---------------------------------|------------------------------|---------------------------|---------------------------|-----|-----|------------------|-----------------|----------------|
| | AC22A/ AC23A 500V [A/A] | | | DIN | W | H | | | |
| 32 | 32/32 | 00 | II-flange | 280 | 190 | 180 | OS00-32A00FCC3B | 1SCA022315R1450 | 2.8 |
| 63 | 63/63 | 00 | II-flange | 280 | 190 | 180 | OS00-63A00FCC3B | 1SCA022315R1610 | 3.0 |
| 125 | 125/100 | 00 | II-flange | 280 | 380 | 180 | OS00A00FCC3B | 1SCA022315R2260 | 4.9 |
| 135 | 135/100 | 00 | II-flange | 380 | 560 | 180 | OS00-160A00FCC3B | 1SCA022315R2690 | 8.0 |
| 250 | 250/250 | 0-1 | II-flange | 380 | 560 | 280 | OS250D1FCC3B | 1SCA022315R3070 | 13.8 |
| 400 | 400/400 | 0-2 | II-flange | 380 | 560 | 280 | OS400D2FCC3B | 1SCA022315R3400 | 14.6 |

Includes pistol-type black handle (I-0 and ON-OFF indication), N- and PE-terminals.

Cable knock-outs as standard, flanges have to be ordered separately.

4-pole front operated switch fuses, DIN-type

Plastic enclosed, IP65

| I _{th} +40°C [A] | Rated operational current | Suitable for fuse type | Cable outlets/ side | Enclosure size [mm] | | | Type | Order number | Weight [kg] |
|---------------------------------|---------------------------------|------------------------------|---------------------------|---------------------------|-----|-----|------------------|-----------------|----------------|
| | AC22A/ AC23A 500V [A/A] | | | DIN | W | H | | | |
| 32 | 32/32 | 00 | II-flange | 280 | 190 | 180 | OS00-32A00FCC4B | 1SCA022315R1880 | 3.0 |
| 63 | 63/63 | 00 | II-flange | 280 | 190 | 180 | OS00-63A00FCC4B | 1SCA022315R2000 | 3.0 |
| 125 | 125/100 | 00 | II-flange | 280 | 380 | 180 | OS00A00FCC4B | 1SCA022315R2420 | 5.2 |
| 135 | 135/100 | 00 | II-flange | 380 | 560 | 180 | OS00-160A00FCC4B | 1SCA022315R2850 | 8.5 |
| 250 | 250/250 | 0-1 | II-flange | 380 | 560 | 280 | OS250D1FCC4B | 1SCA022315R3230 | 14.0 |
| 400 | 400/400 | 0-2 | II-flange | 560 | 760 | 250 | OS400D2FCC4B | 1SCA022628R6070 | 14.8 |

Includes pistol-type black handle (I-0 and ON-OFF indication), N- and PE-terminals.

Cable knock-outs as standard, flanges have to be ordered separately.

Ordering information

Steel sheet enclosed switch fuses

OS32...800
S00507A



2-pole front operated switch fuses, BS-type

Steel sheet enclosed, IP65

| I _{th} +40°C [A] | Rated operational current | Suitable for fuse type | Cable outlets/ side | Enclosure size [mm] | | | Type | Order number | Weight [kg] |
|---------------------------------|---------------------------------|------------------------------|---------------------------|---------------------------|------|-----|----------------|-----------------|----------------|
| | AC22A/ AC23A 500V [A/A] | BS 88 | | W | H | D | | | |
| 32 | 32/32 | A2-A3 | - | 250 | 400 | 180 | OS32GA3LUU2FZ | 1SCA022320R7510 | 8.8 |
| 63 | 63/63 | A2-A3 | - | 250 | 400 | 180 | OS63GA3LUU2FZ | 1SCA022320R7770 | 8.8 |
| 125 | 125/100 | A2-A4 | - | 250 | 400 | 180 | OS100GA4LUU2FZ | 1SCA022320R7930 | 9.4 |
| 135 | 135/100 | B1-B2 | - | 400 | 600 | 230 | OS160BB2LUU2FZ | 1SCA022320R8150 | 19.0 |
| 200 | 200/200 | B1-B2 | - | 400 | 800 | 330 | OS200BB2LUU2FZ | 1SCA022320R8310 | 27.1 |
| 315 | 315/315 | B1-B3 | - | 400 | 800 | 330 | OS315BB3LUU2FZ | 1SCA022320R8580 | 27.9 |
| 400 | 400/400 | B1-B4 | - | 400 | 800 | 330 | OS400BB4LUU2FZ | 1SCA022320R8740 | 28.3 |
| 600 | 600/600 | C1-C2 | - | 400 | 1000 | 330 | OS630BC2LUU2FZ | 1SCA022320R8910 | 39.0 |
| 720 | 720/720 | C1-C3 | - | 400 | 1000 | 330 | OS800BC3LUU2FZ | 1SCA022320R9120 | 59.3 |

Includes pistol-type black handle (I-0 and ON-OFF indication), N- and PE-terminals.

Delivery with blank cable entries.

Ordering information

Steel sheet enclosed switch fuses

OS20...32
S00824A



3-pole front operated switch fuses, BS-type

Steel sheet enclosed, IP54

| I _{th} +40°C [A] | Rated operational current | Suitable for fuse type | Cable outlets/ side | Enclosure size [mm] | | | Type | Order number | Weight [kg] |
|---------------------------------|---------------------------------|------------------------------|---------------------------|---------------------------|-----|-----|--------------|-----------------|----------------|
| | AC22A/ AC23A 500V [A/A] | BS 88 | A1 2xø25+ø16 | W | H | D | | | |
| 20 | 20/20 | A1 | 2xø25+ø16 | 233 | 350 | 140 | OS20PA1LMM3B | 1SCA022281R1510 | 4.0 |
| 32 | 32/32 | A1 | 2xø25+ø16 | 233 | 350 | 140 | OS32PA1LMM3B | 1SCA022281R2670 | 4.0 |

Includes pistol-type black handle (I-0 and ON-OFF indication), N- and PE-terminals.
Cable knock-outs as standard, compression glands have to be ordered separately.

OS20...800
S00807A



4-pole front operated switch fuses, BS-type

Steel sheet enclosed, IP54

| I _{th} +40°C [A] | Rated operational current | Suitable for fuse type | Cable outlets/ side | Enclosure size [mm] | | | Type | Order number | Weight [kg] |
|---------------------------------|---------------------------------|------------------------------|---------------------------|---------------------------|-----|-----|--------------|-----------------|----------------|
| | AC22A/ AC23A 500V [A/A] | BS 88 | A1 2xø25+ø16 | W | H | D | | | |
| 20 | 20/20 | A1 | 2xø25+ø16 | 233 | 350 | 140 | OS20PA1LMM4B | 1SCA022281R2080 | 4.1 |
| 32 | 32/32 | A1 | 2xø25+ø16 | 233 | 350 | 140 | OS32PA1LMM4B | 1SCA022281R3210 | 4.1 |

Includes pistol-type black handle (I-0 and ON-OFF indication), N- and PE-terminals.
Cable knock-outs as standard, compression glands have to be ordered separately.

Ordering information

Steel sheet enclosed switch fuses

OS20...800
S00507A



3-pole front operated switch fuses, BS-type

Steel sheet enclosed, IP65

| I _{th} +40°C [A] | Rated operational current | Suitable for fuse type | Cable outlets/ side | Enclosure size [mm] | | | Type | Order number | Weight [kg] |
|---------------------------------|---------------------------------|------------------------------|---------------------------|---------------------------|------|-----|----------------|-----------------|----------------|
| | AC22A/ AC23A 500V [A/A] | BS 88 | | W | H | D | | | |
| 20 | 20/20 | A1 | - | 250 | 400 | 180 | OS20PA1LUU3FZ | 1SCA022320R8400 | 8.5 |
| 32 | 32/32 | A1 | - | 250 | 400 | 180 | OS32PA1LUU3FZ | 1SCA022320R8660 | 8.5 |
| 32 | 32/32 | A2-A3 | - | 250 | 400 | 180 | OS32GA3LUU3FZ | 1SCA022320R8820 | 9.2 |
| 63 | 63/63 | A2-A3 | - | 250 | 400 | 180 | OS63GA3LUU3FZ | 1SCA022320R9040 | 9.2 |
| 125 | 125/100 | A2-A4 | - | 250 | 400 | 180 | OS100GA4LUU3FZ | 1SCA022320R9210 | 9.8 |
| 135 | 135/100 | B1-B2 | - | 400 | 600 | 230 | OS160BB2LUU3FZ | 1SCA022320R9470 | 19.4 |
| 200 | 200/200 | B1-B2 | - | 400 | 800 | 330 | OS200BB2LUU3FZ | 1SCA022320R9630 | 28.3 |
| 315 | 315/315 | B1-B3 | - | 400 | 800 | 330 | OS315BB3LUU3FZ | 1SCA022320R9800 | 29.1 |
| 400 | 400/400 | B1-B4 | - | 400 | 800 | 330 | OS400BB4LUU3FZ | 1SCA022321R0050 | 29.5 |
| 600 | 600/600 | C1-C2 | - | 400 | 1000 | 330 | OS630BC2LUU3FZ | 1SCA022321R0210 | 44.4 |
| 720 | 720/720 | C1-C3 | - | 800 | 1000 | 330 | OS800BC3LUU3FZ | 1SCA022321R0480 | 65.0 |

Includes pistol-type black handle (I-0 and ON-OFF indication), N- and PE-terminals.

Delivery with blank cable entries.

4-pole front operated switch fuses, BS-type

Steel sheet enclosed, IP65

| I _{th} +40°C [A] | Rated operational current | Suitable for fuse type | Cable outlets/ side | Enclosure size [mm] | | | Type | Order number | Weight [kg] |
|---------------------------------|---------------------------------|------------------------------|---------------------------|---------------------------|------|-----|----------------|-----------------|----------------|
| | AC22A/ AC23A 500V [A/A] | BS 88 | | W | H | D | | | |
| 20 | 20/20 | A1 | - | 250 | 400 | 180 | OS20PA1LUU4FZ | 1SCA022321R0640 | 8.6 |
| 32 | 32/32 | A1 | - | 250 | 400 | 180 | OS32PA1LUU4FZ | 1SCA022321R0810 | 8.6 |
| 32 | 32/32 | A2-A3 | - | 250 | 400 | 180 | OS32GA3LUU4FZ | 1SCA022321R1020 | 9.4 |
| 63 | 63/63 | A2-A3 | - | 250 | 400 | 180 | OS63GA3LUU4FZ | 1SCA022320R5990 | 9.4 |
| 125 | 125/100 | A2-A4 | - | 250 | 400 | 180 | OS100GA4LUU4FZ | 1SCA022320R6110 | 10.3 |
| 135 | 135/100 | B1-B2 | - | 400 | 600 | 230 | OS160BB2LUU4FZ | 1SCA022320R6370 | 19.9 |
| 200 | 200/200 | B1-B2 | - | 400 | 800 | 330 | OS200BB2LUU4FZ | 1SCA022320R6530 | 29.2 |
| 315 | 315/315 | B1-B3 | - | 400 | 800 | 330 | OS315BB3LUU4FZ | 1SCA022320R6700 | 29.9 |
| 400 | 400/400 | B1-B4 | - | 400 | 800 | 330 | OS400BB4LUU4FZ | 1SCA022320R6960 | 30.4 |
| 600 | 600/600 | C1-C2 | - | 800 | 1000 | 330 | OS630BC2LUU4FZ | 1SCA022320R7180 | 67.8 |
| 720 | 720/720 | C1-C3 | - | 800 | 1000 | 330 | OS800BC3LUU4FZ | 1SCA022320R7340 | 71.0 |

Includes pistol-type black handle (I-0 and ON-OFF indication), N- and PE-terminals.

Delivery with blank cable entries.

Ordering information

Steel sheet enclosed switch fuses

OS00-32...800
S00834A



3-pole front operated switch fuses, DIN-type

Steel sheet enclosed, IP54 and IP65

| Rated operational current I_{th} +40°C [A] | Suitable AC22A/ AC23A 500V [A/A] | for fuse type | Cable outlets/ side | Enclosure size [mm] | | | Type | Order number | Weight [kg] |
|---|---|------------------|---------------------------|---------------------------|---|---|------|--------------|----------------|
| | | | | W | H | D | | | |

Delivery without cable entries, top and bottom sides are open. Cable entries for C-flanges or for ring-flanges have to be ordered separately, see accessories. These entries are used also for fixing the enclosed switches.

Flanges have to be ordered separately too. Includes pistol-type black handle (I-O and ON-OFF indication), N- and PE-terminals.

IP54

| | | | | | | | | | |
|-----|---------|-----|------|-----|------|-----|------------------|-----------------|------|
| 32 | 32/32 | 00 | Open | 250 | 400 | 180 | OS00-32A00LAA3B | 1SCA022325R2560 | 9.2 |
| 63 | 63/63 | 00 | Open | 250 | 400 | 180 | OS00-63A00LAA3B | 1SCA022292R9600 | 9.2 |
| 125 | 125/100 | 00 | Open | 250 | 400 | 180 | OS00A00LAA3B | 1SCA022325R3110 | 9.8 |
| 135 | 135/100 | 00 | Open | 400 | 600 | 230 | OS00-160A00LAA3B | 1SCA022325R3530 | 17.8 |
| 250 | 250/250 | 0-1 | Open | 400 | 800 | 330 | OS250D1LAA3B | 1SCA022325R3960 | 28.6 |
| 400 | 400/400 | 0-2 | Open | 400 | 800 | 330 | OS400D2LAA3B | 1SCA022292R9860 | 29.6 |
| 600 | 600/600 | 3 | Open | 400 | 1000 | 330 | OS630D3LAA3B | 1SCA022325R4510 | 43.4 |
| 720 | 720/720 | 3 | Open | 800 | 1000 | 330 | OS800D3LAA3B | 1SCA022325R4930 | 65.0 |

IP65

| | | | | | | | | | |
|-----|---------|-----|------|-----|------|-----|-------------------|-----------------|------|
| 32 | 32/32 | 00 | Open | 250 | 400 | 180 | OS00-32A00LAA3BZ | 1SCA022325R2720 | 9.2 |
| 63 | 63/63 | 00 | Open | 250 | 400 | 180 | OS00-63A00LAA3BZ | 1SCA022325R2990 | 9.2 |
| 125 | 125/100 | 00 | Open | 250 | 400 | 180 | OS00A00LAA3BZ | 1SCA022325R3370 | 9.8 |
| 135 | 135/100 | 00 | Open | 400 | 600 | 230 | OS00-160A00LAA3BZ | 1SCA022325R3700 | 17.8 |
| 250 | 250/250 | 0-1 | Open | 400 | 800 | 330 | OS250D1LAA3BZ | 1SCA022325R4180 | 28.6 |
| 400 | 400/400 | 0-2 | Open | 400 | 800 | 330 | OS400D2LAA3BZ | 1SCA022325R4340 | 29.6 |
| 600 | 600/600 | 3 | Open | 400 | 1000 | 330 | OS630D3LAA3BZ | 1SCA022325R4770 | 43.4 |
| 720 | 720/720 | 3 | Open | 800 | 1000 | 330 | OS800D3LAA3BZ | 1SCA022325R5150 | 65.0 |

Ordering information

Steel sheet enclosed switch fuses

OS00-32...800
S00834A



4-pole front operated switch fuses, DIN-type

Steel sheet enclosed, IP54 and IP65

| I _{th} +40°C [A] | Rated operational current AC22A/ AC23A 500V [A/A] | Suitable for fuse type DIN | Cable outlets/ side | Enclosure size [mm] | | | Type | Order number | Weight [kg] |
|---------------------------------|--|-------------------------------------|---------------------------|---------------------------|---|---|------|--------------|----------------|
| | | | | W | H | D | | | |

Delivery without cable entries, top and bottom sides are open. Cable entries for C-flanges or for ring-flanges have to be ordered separately, see accessories. These entries are used also for fixing the enclosed switches.

Flanges have to be ordered separately too. Includes pistol-type black handle (I-O and ON-OFF indication), N- and PE-terminals.

IP54

| | | | | | | | | | |
|-----|---------|-----|------|-----|------|-----|------------------|-----------------|------|
| 32 | 32/32 | 00 | Open | 250 | 400 | 180 | OS00-32A00LAA4B | 1SCA022325R5310 | 9.4 |
| 63 | 63/63 | 00 | Open | 250 | 400 | 180 | OS00-63A00LAA4B | 1SCA022325R5910 | 9.4 |
| 125 | 125/100 | 00 | Open | 250 | 400 | 180 | OS00A00LAA4B | 1SCA022320R6020 | 10.0 |
| 135 | 135/100 | 00 | Open | 400 | 600 | 230 | OS00-160A00LAA4B | 1SCA022320R6450 | 18.0 |
| 250 | 250/250 | 0-1 | Open | 400 | 800 | 330 | OS250D1LAA4B | 1SCA022320R6880 | 29.4 |
| 400 | 400/400 | 0-2 | Open | 400 | 800 | 330 | OS400D2LAA4B | 1SCA022320R7260 | 30.5 |
| 600 | 600/600 | 3 | Open | 800 | 1000 | 330 | OS630D3LAA4B | 1SCA022320R7690 | 67.8 |
| 720 | 720/720 | 3 | Open | 800 | 1000 | 330 | OS800D3LAA4B | 1SCA022320R8070 | 70.8 |

IP65

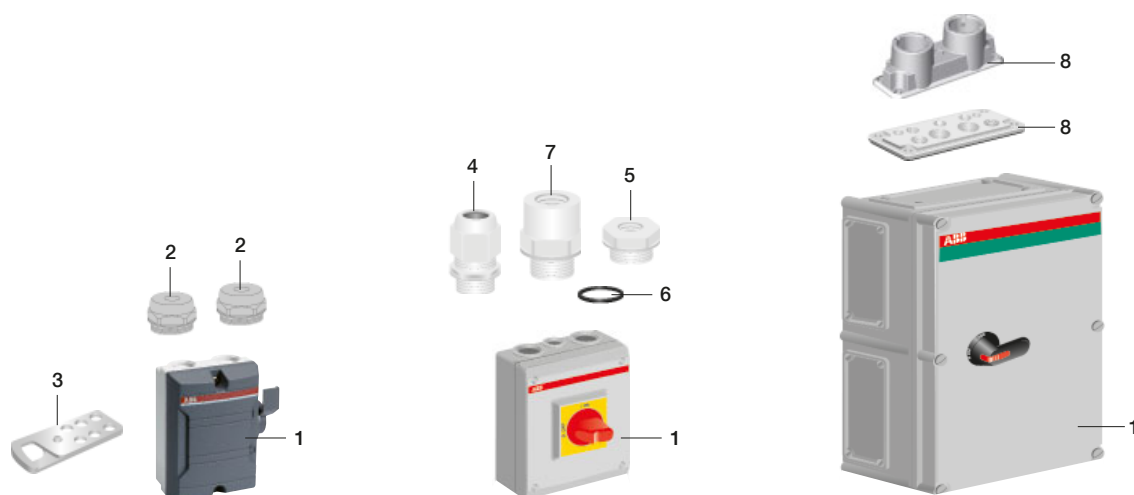
| | | | | | | | | | |
|-----|---------|-----|------|-----|------|-----|-------------------|-----------------|------|
| 32 | 32/32 | 00 | Open | 250 | 400 | 180 | OS00-32A00LAA4BZ | 1SCA022325R5740 | 9.4 |
| 63 | 63/63 | 00 | Open | 250 | 400 | 180 | OS00-63A00LAA4BZ | 1SCA022320R5810 | 9.4 |
| 125 | 125/100 | 00 | Open | 250 | 400 | 180 | OS00A00LAA4BZ | 1SCA022320R6290 | 10.0 |
| 135 | 135/100 | 00 | Open | 400 | 600 | 230 | OS00-160A00LAA4BZ | 1SCA022320R6610 | 18.0 |
| 250 | 250/250 | 0-1 | Open | 400 | 800 | 330 | OS250D1LAA4BZ | 1SCA022320R7000 | 29.4 |
| 400 | 400/400 | 0-2 | Open | 400 | 800 | 330 | OS400D2LAA4BZ | 1SCA022320R7420 | 30.5 |
| 600 | 600/600 | 3 | Open | 800 | 1000 | 330 | OS630D3LAA4BZ | 1SCA022320R7850 | 67.8 |
| 720 | 720/720 | 3 | Open | 800 | 1000 | 330 | OS800D3LAA4BZ | 1SCA022320R8230 | 70.8 |

Accessories

Selection overview

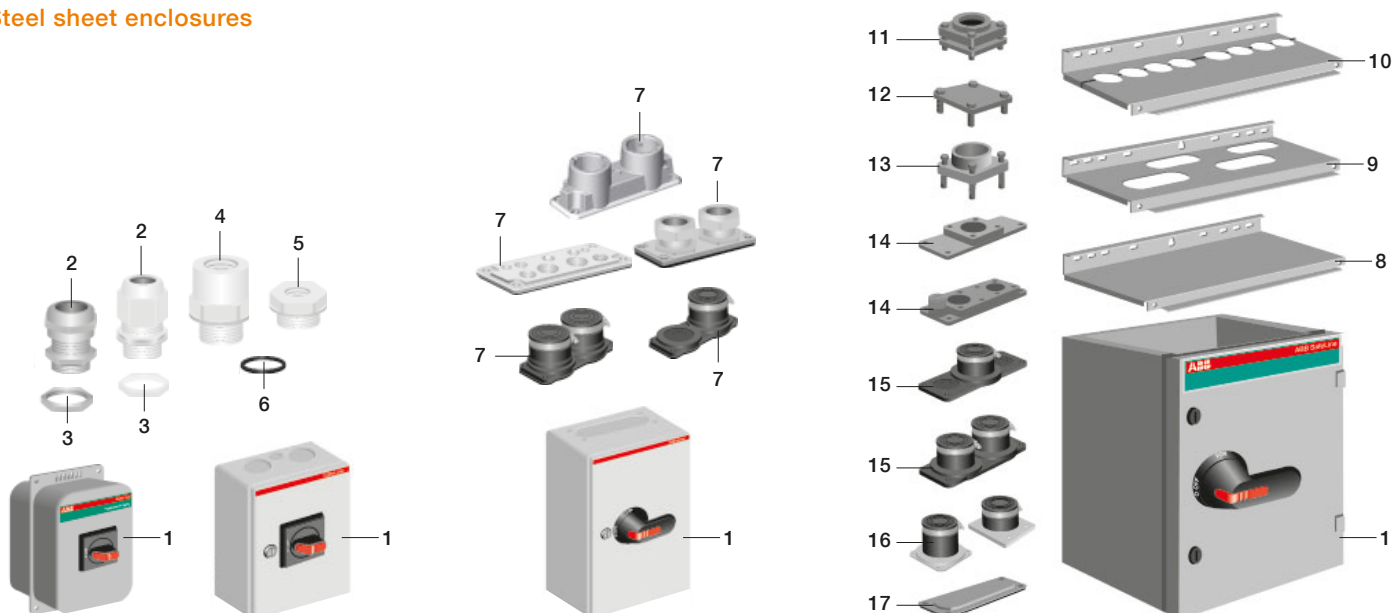
Plastic enclosures

Side and front operated



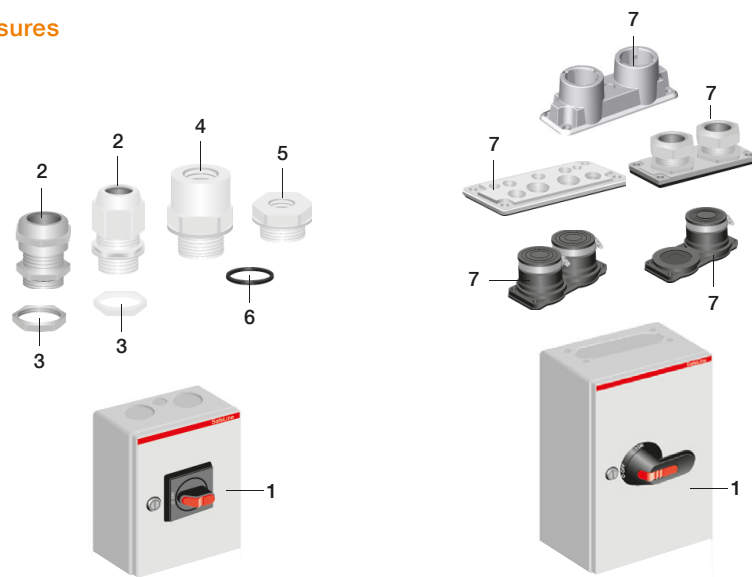
1 Enclosure | 2 Membrane gland/sealing plug (included) | 3 Padlock shackle L6 | 4 Compression gland | 5 Adapter (expander) | 6 Gasket | 7 Adapter (reducer) | 8 Flange

Steel sheet enclosures



1 Enclosure | 2 Compression gland | 3 Locking nut | 4 Adapter (reducer) | 5 Adapter (expander) | 6 Gasket | 7 B-flange | 8 Blank cable entry | 9 Cable entry with C-flange entries | 10 Cable entry with ring-flange entries | 11 Ring-flange | 12 Ring-flange cover | 13 Plate extension for ring-flanges | 14 Ring-flange adapters for C-flange covers | 15 C-flange | 16 Cable inlets | 17 C-flange cover

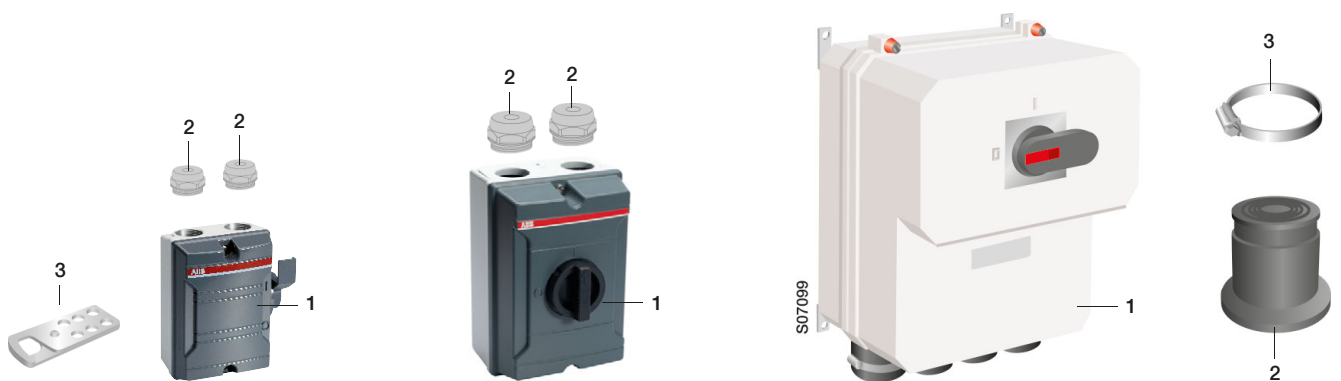
Stainless steel sheet enclosures



1 Enclosure | 2 Compression gland | 3 Locking nut | 4 Adapter (reducer) | 5 Adapter (expander) | 6 Gasket | 7 B-flange

Aluminum enclosures

Side and front operated

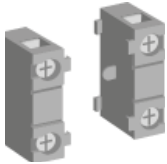


1 Enclosure | 2 Membrane gland/sealing plug (included) | 3 Padlock shackle L6 | 2 Cable tightening / gland (included) | 3 Hose clamp (included)

Ordering information

Accessories

OA1G_, OA7G10, OA3G01
S00261A



Auxiliary contacts

Auxiliary contacts for enclosed switch-disconnectors

OT_16...125F, KSF_25...40, KSE_25...125 and BW_16...40

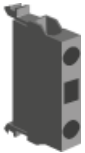
The auxiliary contacts n.o. open before the main contacts. See the maximum amount of auxiliary contacts on the table 'Auxiliary contacts / Enclosed Switches' on page 67.

OA2G11
S01025A



| For switches | Auxiliary contact | Mounting to the side of the switch | Type | Order number | Delivery | |
|------------------------------|-------------------|------------------------------------|--------|-----------------|-------------|-------------|
| | | | | | batch [pcs] | Weight [kg] |
| OT_16...125F, KSE63...125 | 1no | right | OA1G10 | 1SCA022353R4970 | 10 | 0.03 |
| OT_16...125F, KSE63...125 | 1no | left | OA7G10 | 1SCA022673R1140 | 10 | 0.03 |
| OT_16...125E, KSE63...125 | 1nc | left | OA1G01 | 1SCA022353R4890 | 10 | 0.03 |
| BW_/KSE_16...40, KSF_25...40 | 1no | left | OBEA10 | 1SCA022190R3000 | 10 | 0.01 |
| BW_/KSE_16...40, KSF_25...40 | 1nc | left | OBEA01 | 1SCA022190R3260 | 10 | 0.01 |
| OT_16...125F | 1no+1nc | both sides ²⁾ | OA2G11 | 1SCA022379R8100 | 10 | 0.03 |

OBEA_
S00040A



Auxiliary contacts for switch-disconnectors OT125A...1600 , KSE3160...3630, OS_¹⁾

See the maximum amount of auxiliary contacts on the table 'Auxiliary contacts / Enclosed Switches' on page 67.

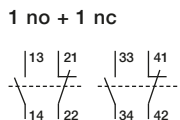
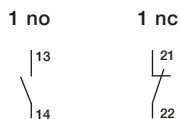
OZ XK_
S01248A



| For switches | Auxiliary contact | Type | Order number | Delivery | |
|-----------------------------|-------------------|----------|-----------------|-------------|-------------|
| | | | | batch [pcs] | Weight [kg] |
| OT125A...160_, KSE3160-3250 | 1no | OBEA10 | 1SCA022190R3000 | 10 | 0.02 |
| OT125A...160_, KSE3160-3250 | 1no | OBEA10AU | 1SCA022185R3310 | 10 | 0.02 |
| OT200...1600, OS_ | 1no | OA1G10 | 1SCA022353R4970 | 10 | 0.03 |
| OT125A...160_, KSE3160 | 1nc | OBEA01 | 1SCA022190R3260 | 10 | 0.02 |
| OT125A...160_, KSE3160 | 1nc | OBEA01AU | 1SCA022185R3730 | 10 | 0.02 |
| OT200...1600, OS_ | 1nc | OA3G01 | 1SCA022456R7410 | 10 | 0.03 |
| KSE3315-3250 | 1no+1nc | OZ XK12 | 2CMA144521R1000 | 1 | 0.12 |
| KSE3500-3630 | 1no+1nc | OZ XK1 | 2CMA144522R1000 | 1 | 0.12 |

¹⁾ Types _AU for extremely difficult circumstances, even at low voltages. The contacts are gold plated.

²⁾ Not mountable on the side as the fourth pole.



Technical data of auxiliary contacts:

| | | OA_ | OBEA_ and OZ XK_ |
|--|---------------|--------------------------------|-------------------------------|
| Protection class | | IP 20 | IP 20 |
| Rated thermal current I _{th} / Insulation voltage | | 16 A / 690 V | 10 A / 690 V |
| Cable cross section, max. / min. | | 2 x 2.5 / 0.75 mm ² | 2 x 2.5 / 0.5 mm ² |
| Operational current in different voltages, (IEC 60947-5-1) | | | |
| AC-15 | 230 V | 6 A | - |
| | 400 V / 415 V | 4 A | - |
| | 690 V | 2 A | - |
| AC-12 | 120 V / 240 V | - | 8 A / 6 A |
| | 400 / 415 V | - | 4 A |
| | 480 / 500 V | - | 3 A |
| | 690 V | - | 2 A |
| DC-12 | 24 V / 72 V | 10 A / 4 A | 5 A / 1,9 A |
| | 125 V / 250 V | 2 A / 0,55 A | 1,1 A / 0,55 A |
| | 440 V / 500 V | 0,1 A / - | 0,31 A / 0,27 A |
| | 600 V | - | 0,2 A |

Ordering information

Accessories

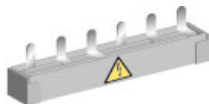
OZXA32
S01469A



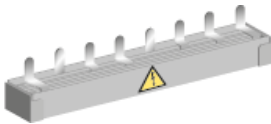
OZXA33
S01470A



OZXA38
S02078A



OZXA39
S02077A



OTZC_
S02185A



OTZR_
S07120



Parallel connection kits for change-over switches

| For switches | Number of poles | Max. cable size [mm ²] | Type | Order number | Weight [kg] |
|--------------|-----------------|------------------------------------|------|--------------|-------------|
|--------------|-----------------|------------------------------------|------|--------------|-------------|

Connection bars

Finger protected connection bars for parallel connection of incoming or outgoing terminals. The bars accept additional cables, the maximum size is stated below.

| | | | | | |
|---------------|----------------------------------|----|--------|-----------------|------|
| OT16...32E_3C | 6 (fine stranded), 10 (stranded) | | OZXA33 | 1SCA022685R0310 | 0.02 |
| OT16...32E_4C | 6 (fine stranded), 10 (stranded) | | OZXA32 | 1SCA022683R4110 | 0.03 |
| OT45...63E_3C | | 25 | OZXA38 | 1SCA022790R3740 | 0.06 |
| OT45...63E_4C | | 25 | OZXA39 | 1SCA022785R2490 | 0.09 |

Bridging bars

The bridging bars provide a connection link either on the incoming or outgoing side of the change-over switch.

| | | | | | |
|-------------|---|--|--------|-----------------|------|
| OT200...250 | 3 | | OTZC13 | 1SCA022767R6910 | 0.60 |
| | 4 | | OTZC14 | 1SCA022767R7040 | 0.80 |
| OT315...400 | 3 | | OTZC23 | 1SCA022767R7120 | 0.60 |
| | 4 | | OTZC24 | 1SCA022767R7210 | 0.80 |
| OT630...800 | 3 | | OTZC33 | 1SCA022785R7020 | 1.00 |
| | 4 | | OTZC34 | 1SCA022785R7110 | 1.30 |

Reversing bars

A reversing switch can be built up by using phase sequence bars in two phases. The kit includes two phase sequence conversion bars. The missing bridging bars must be ordered separately. For example 3-pole switches: one 4-pole standard bridging bar kit is required (one bar for the reversing side, three bars for the other side).

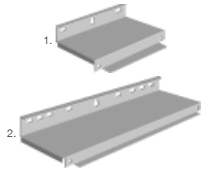
| | | | | | |
|---------------|--|--|-------|-----------------|-----|
| OT160...250_C | | | OTZR1 | 1SCA100352R1001 | 0.3 |
| OT315...400_C | | | OTZR2 | 1SCA104647R1001 | 0.3 |
| OT600...800_C | | | OTZR3 | 1SCA100355R1001 | 0.4 |

Ordering information

Enclosure accessories

OEZXP__0

1. S00512A, 2. S00808A



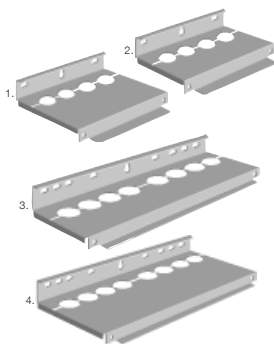
Cable entries for steel sheet enclosures

These cable entries are also used for fixing the enclosed switches. The flanges have to be ordered separately.

| Size of cable entry W x D [mm] | Number of C-flange entries [pcs] | Number of ring-flange entries [pcs] | Type | Order number | Weight [kg] |
|-----------------------------------|----------------------------------|-------------------------------------|------|--------------|-------------|
|-----------------------------------|----------------------------------|-------------------------------------|------|--------------|-------------|

OEZXP__R

1. S00810A, 2. S00811A, 3. S00812A, 4. S00813A



Blank entries, no flange entries

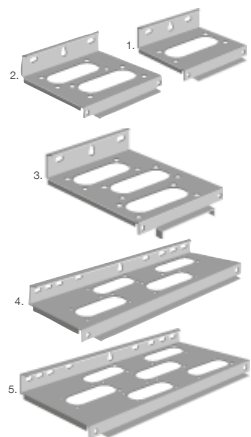
| | | | | | |
|---------|---|---|------------------------|-----------------|-----|
| 250x180 | - | - | OEZXP120 ¹⁾ | 1SCA022277R2350 | 0.8 |
| 400x230 | - | - | OEZXP240 | 1SCA022277R2780 | 1.5 |
| 400x330 | - | - | OEZXP340 | 1SCA022277R3320 | 2.0 |
| 800x230 | - | - | OEZXP280 | 1SCA022277R3910 | 3.0 |
| 800x330 | - | - | OEZXP380 | 1SCA022277R4720 | 4.0 |

Cable entries with ring-flange entries, divided ²⁾

| | | | | | |
|---------|---|---|----------|-----------------|-----|
| 400x230 | - | 4 | OEZXP24R | 1SCA022277R3160 | 1.6 |
| 400x330 | - | 4 | OEZXP34R | 1SCA022277R3750 | 2.1 |
| 800x230 | - | 8 | OEZXP28R | 1SCA022277R4560 | 3.2 |
| 800x330 | - | 8 | OEZXP38R | 1SCA022277R5020 | 4.2 |

OEZXP__C

1. S00814A, 2. S00815A, 3. S00817A, 4. S00816A, 5. S00818A



Cable entries with C-flange entries, compact ²⁾

| | | | | | |
|---------|---|---|-------------------------|-----------------|-----|
| 250x180 | 1 | - | OEZXP120C ¹⁾ | 1SCA022338R5360 | 0.8 |
| 400x230 | 2 | - | OEZXP240C | 1SCA022338R5520 | 1.7 |
| 400x330 | 3 | - | OEZXP340C | 1SCA022338R5790 | 2.3 |
| 800x230 | 4 | - | OEZXP280C | 1SCA022338R5950 | 3.4 |
| 800x330 | 6 | - | OEZXP380C | 1SCA022338R6170 | 4.5 |

Cable entry gasket set for IP65 switches

| | | |
|--|--------|-----------------|
| For IP65 switches only, to seal up the cable entry | OEZXX2 | 1SCA022281R5340 |
|--|--------|-----------------|

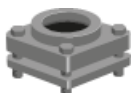
¹⁾ Includes knock-outs ø 10, 12.5, 20.5 and 25.5

²⁾ Includes knock-outs ø 10, 12.5, 20.5, 25.5 and 32.5

Ordering information

Enclosure accessories

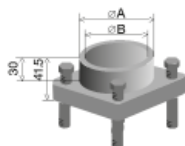
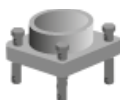
OEZXR1__
S00514A



OEZXR0__
S00515A



OEZXX1__
S00952A



Cable flanges for steel sheet enclosures

Ring-flanges for different cable diameters

| Outside diameter of cable [mm] | Suitable for cable entries | Type | Order number | Weight [kg] |
|--------------------------------|----------------------------|----------|-----------------|-------------|
| 22...35 | OEZXP_R | OEZXR134 | 1SCA022277R5610 | 0.45 |
| 31...44 | OEZXP_R | OEZXR143 | 1SCA022277R5880 | 0.40 |
| 39...51 | OEZXP_R | OEZXR150 | 1SCA022277R6000 | 0.35 |
| 46...59 | OEZXP_R | OEZXR158 | 1SCA022277R6260 | 0.30 |

Ring-flange covers with knock-out openings

| Knock-out size \varnothing / [mm] | Suitable for cable entries | Type | Order number | Weight [kg] |
|-------------------------------------|----------------------------|----------|-----------------|-------------|
| 20.5 | OEZXP__R | OEZXR020 | 1SCA022656R8130 | 0.16 |
| 22.5 | OEZXP__R | OEZXR023 | 1SCA022277R5290 | 0.16 |
| 25.5 | OEZXP__R | OEZXR025 | 1SCA022656R8120 | 0.16 |
| 37 | OEZXP__R | OEZXR037 | 1SCA022277R5450 | 0.16 |
| 40.5 | OEZXP__R | OEZXR040 | 1SCA022656R8300 | 0.16 |

Plate extension for ring-flanges

Screws are included in the delivery.

With a plate extension the shrinkable hose can be mounted around the ring-flange and the cable.

| Suitable for ring-flanges | Dimensions [mm] | | Type | Order number | Weight [kg] |
|---------------------------|-----------------|----|-----------|-----------------|-------------|
| | A | B | | | |
| OEZXR134 and OEZXR143 | 49 | 43 | OEZXX143R | 1SCA022350R3820 | 0.18 |
| OEZXR150 and OEZXR158 | 70 | 64 | OEZXX158R | 1SCA022350R3910 | 0.18 |

Ordering information

Enclosure accessories

KIG-221-1
S00997A



KIG-221-2
S00996A



OEZXC 0
S00846B



KIM-13-1
S01395A



KIM-13-2
S01396A



-LPBSIU
S01775A



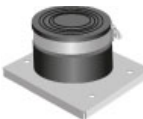
-LBSI2ALM40
S01774A



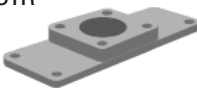
KIG-1
S00993A



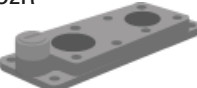
KIG-2
S00994A



OEZXC1R
S00846A



OEZXC2R
S00847A



Cable flanges for steel sheet enclosures

C and B flanges

Mounting set for the flange is included: screws, nuts and sealing gasket or a seal extruded into the flanges.

| Suitable cable size ϕ / [mm] | For cable entries/ Compression glands | Type | Order number | Weight [kg] |
|--|---------------------------------------|-------------------|-----------------|-------------|
| C-flanges for cable entries, steel | | | | |
| 20...65 | See the picture below | KIG-221-1 | 1SEH650052R6713 | 0.49 |
| 2x(20...65) | | KIG-221-2 | 1SEH650052R6714 | 0.72 |
| C-flange cover, steel | | | | |
| - | OEZXP__C | OEZXC 0 | 1SCA022277R6420 | 0.25 |
| B-flanges for cable entries, steel | | | | |
| 15...40 | See the picture below | KIM13-1 | 1SEH655267R2050 | 0.20 |
| 2x(15...40) | | KIM13-2 | 1SEH655267R2060 | 0.30 |
| B-flange cover, metallic, IP65 | | | | |
| - | Fe, hot dip galvanized | LBFEU | 1SCA022713R6040 | 0.16 |
| - | Siluminium | LBSIU | 1SCA022713R6120 | 0.20 |
| B-flanges for cable entries, metallic, compression glands, IP65 | | | | |
| 8...14 | 2xM20 | LBSI2ALM20 | 1SCA022713R6210 | 0.26 |
| 10...16 | 4xM25 | LBSI4ALM25 | 1SCA022713R6390 | 0.26 |
| 16...21 | 3xM32 | LBSI3ALM32 | 1SCA022713R6550 | 0.26 |
| 18...27 | 2xM40 | LBSI2ALM40 | 1SCA022713R6630 | 0.26 |
| 16...21 (M32)/10...16 (M25) | 2xM32+1xM25 | LBSI2ALM32+1ALM25 | 1SCA022722R3520 | 0.26 |
| 10...16 | 3xM25+ 1xM25 (Blank plug) | LBSI3ALM25+1TM25 | 1SCA022722R3610 | 0.22 |
| Cable inlet, metallic | | | | |
| 15...45 | See the picture below | KIG-1 | 1SEH650052R6711 | 0.22 |
| 20...65 | | KIG-2 | 1SEH650052R6712 | 0.40 |

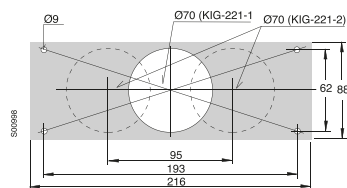
Ring-flange adapters for C-flange entries, Aluminum alloy

Mounting set for the flange is included: screws, nuts and a seal extruded into the flanges. Ring-flanges have to be ordered separately.

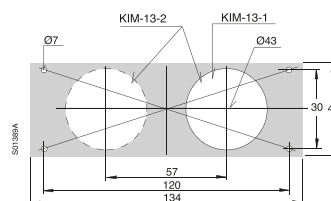
| Remarks | Suitable for cable entries | Type | Order number | Weight [kg] |
|---|----------------------------|---------|-----------------|-------------|
| One hole for ring- flanges and knock-outs ϕ 21, ϕ 23, ϕ 29 | OEZXP__C | OEZXC1R | 1SCA022281R3560 | 0.53 |
| Two holes for ring-flanges and one with Pg 16 threads | OEZXP__C | OEZXC2R | 1SCA022281R3720 | 0.55 |

Drilling guide

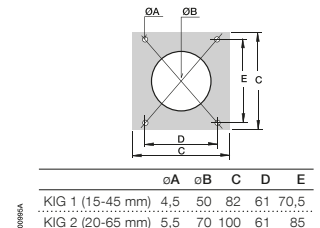
KIG-221-1 and KIG-221-2



KIM 13-1 and KIM 13-2



KIG-1 and KIG-2



Ordering information

Enclosure accessories

OEZXC11L
S01373A



OEZXC12L
S01374A



YMF-MB10861SET
S01824A



YMF-MB10862SET
S01823A



OEZXB12L
S01372A



OEZXB11L
S01371A



YMF-MB10215
S00509A



YMF-MK10440
S00523A



L6
20MC340002F0006



Cable flanges for plastic or steel sheet enclosures

| Flange size | Outside diameter of cable [mm] | Knock-out of control cable [mm] | Type | Order number | Weight [kg] |
|-------------|--------------------------------|---------------------------------|------|--------------|-------------|
|-------------|--------------------------------|---------------------------------|------|--------------|-------------|

II/C-flanges

For cable entries from bottom. Mounting set, flange and cable gasket included.

| | | | | | |
|--|-----------------------------|-----------------------|----------------|-----------------|------|
| II / C | ø 30...55 | 2 x ø 20,5 | OEZXC11L | 1SCA022560R5570 | 0.40 |
| II / C | 2 x ø 30...60 | 2 x ø 20,5 + 2 x ø 10 | OEZXC12L | 1SCA022560R5730 | 0.53 |
| Includes sealing gasket and fixing accessories | | | | | |
| II / C | 2xM50 + 4xM20 | | YMF-MB10861SET | 1SCA022715R9090 | 0.14 |
| II / C | 2xM32+2xM25+ 3xM20+2xM16 | | YMF-MB10862SET | 1SCA022715R9170 | 0.12 |

I/B-flanges

For cable entries from bottom. Mounting set, flange and cable gasket included (OEZXB).

| | | | | | |
|-------|-----------------------------|-----------------|-------------|-----------------|------|
| I / B | 2 x ø 15...30 | ø 12,5 | OEZXB12L | 1SCA022560R5140 | 0.12 |
| I / B | ø 15...30 | ø 12,5 + ø 20,5 | OEZXB11L | 1SCA022560R4920 | 0.10 |
| I / B | Cover plate | | YMF-MB10215 | 1SCA022191R2170 | 0.05 |
| | Screw (plastic coated head) | | YMF-MB10345 | 1SCA010352R7030 | |
| | 4 pcs /cover plate | | | | |
| | Nut, 4 pcs /cover plate | | FGNSUM6X | 1SCA010234R6620 | |
| I / B | Gasket for cover plate | | YMF-MK10440 | 1SCA022660R7130 | 0.01 |

Other accessories for plastic enclosures

| Description | Remarks | Type | Order number | Weight [kg] |
|------------------------------|----------------------------|-------------|-----------------|-------------|
| Mounting lugs (set of 4pcs.) | Plastic, for wall mounting | YMF-MB10674 | 1SCA022229R0010 | |

Padlock unit suitable for all side operated switches

| Description | Type | Order number |
|------------------------------|------|-----------------|
| Shackle for up to 6 padlocks | L6 | 2CMA144539R1000 |

Ordering information

Enclosure accessories

-ESKV20
S01778A



-EMUG20
S01779A



-EMSKV25/7
S01777A



-EMMU25
S01780A



Compression glands, IP65

| Thread | Cable DIA [mm] | Type | Order number | Weight [kg] |
|---------------------------|----------------|--------|-----------------|-------------|
| Plastic | | | | |
| Compression glands | | | | |
| M12 | 2-7 | ESKV12 | 1SCA022715R5850 | 0.01 |
| M16 | 4,5-10 | ESKV16 | 1SCA022715R5930 | 0.01 |
| M20 | 6-13 | ESKV20 | 1SCA022715R6070 | 0.02 |
| M25 | 9-17 | ESKV25 | 1SCA022715R6150 | 0.02 |
| M32 | 13-21 | ESKV32 | 1SCA022715R6230 | 0.03 |
| M40 | 14-28 | ESKV40 | 1SCA022715R6310 | 0.06 |
| M50 | 18-35 | ESKV50 | 1SCA022715R6400 | 0.08 |
| M63 | 34-48 | ESKV63 | 1SCA022715R6580 | 0.10 |

Locking nuts

Needed if the enclosure holes are not provided with threads

| | | | | |
|-----|--|--------|-----------------|------|
| M12 | | EMUG12 | 1SCA022715R8280 | 0.01 |
| M16 | | EMUG16 | 1SCA022715R8360 | 0.01 |
| M20 | | EMUG20 | 1SCA022715R8440 | 0.01 |
| M25 | | EMUG25 | 1SCA022715R8520 | 0.01 |
| M32 | | EMUG32 | 1SCA022715R8610 | 0.01 |
| M40 | | EMUG40 | 1SCA022715R8790 | 0.01 |
| M50 | | EMUG50 | 1SCA022715R8870 | 0.02 |
| M63 | | EMUG63 | 1SCA022715R8950 | 0.02 |

Metallic

Compression glands

| | | | | |
|-----|---------|------------|-----------------|------|
| M12 | 3...6 | EMSKV12/5 | 1SCA022722R2710 | 0.02 |
| M16 | 5...9 | EMSKV16/5 | 1SCA022722R2800 | 0.03 |
| M20 | 9...13 | EMSKV20/6 | 1SCA022722R2980 | 0.04 |
| M25 | 11...16 | EMSKV25/7 | 1SCA022722R3010 | 0.06 |
| M32 | 14...21 | EMSKV32/8 | 1SCA022722R3100 | 0.08 |
| M40 | 19...27 | EMSKV40/8 | 1SCA022722R3280 | 0.08 |
| M50 | 24...35 | EMSKV50/9 | 1SCA022722R3360 | 0.10 |
| M63 | 32...42 | EMSKV63/10 | 1SCA022722R3440 | 0.12 |

Locking nuts

Needed if the enclosure holes are not provided with threads

| | | | | |
|-----|--|--------|-----------------|------|
| M12 | | EMMU12 | 1SCA022722R1910 | 0.01 |
| M16 | | EMMU16 | 1SCA022722R2040 | 0.01 |
| M20 | | EMMU20 | 1SCA022722R2120 | 0.02 |
| M25 | | EMMU25 | 1SCA022722R2210 | 0.02 |
| M32 | | EMMU32 | 1SCA022722R2390 | 0.03 |
| M40 | | EMMU40 | 1SCA022722R2470 | 0.04 |
| M50 | | EMMU50 | 1SCA022722R2550 | 0.05 |
| M63 | | EMMU63 | 1SCA022722R2630 | 0.06 |

Ordering information

Enclosure accessories

KRM_/EPN_ (reducer)
S01866A



EPN_/KEM_ (expander)
S01865A



EADR_
S07123



YJTB3
S07150



Adapters for M-threads

| Thread | Type | Order number | Weight [kg] |
|----------------|---------------|-----------------|-------------|
| Plastic | | | |
| M16 to M12 | KRM16/12 | 1SCA022749R6090 | 0.01 |
| M20 to M12 | KRM20/12 | 1SCA022749R6170 | 0.01 |
| M25 to M12 | KRM25/12 | 1SCA022749R6980 | 0.01 |
| M25 to M32 | EPN650M25/M32 | 1SCA101159R1001 | 0.01 |
| M32 to M40 | EPN650M32/M40 | 1SCA101160R1001 | 0.01 |
| M50 to M32 | EPN550M50/M32 | 1SCA114803R1001 | 0.02 |
| M50 to M40 | EPN550M50/M40 | 1SCA104355R1001 | 0.02 |
| M50 to M63 | KEM50/63 | 1SCA114809R1001 | 0.02 |

Metallic

| | | | |
|------------|---------------|-----------------|------|
| M20 to M12 | EPN720M20/M12 | 1SCA114806R1001 | 0.02 |
| M20 to M16 | EPN720M20/16 | 1SCA114807R1001 | 0.02 |
| M25 to M20 | EPN720M25/M20 | 1SCA109748R1001 | 0.02 |
| M32 to M20 | EPN720M32/M20 | 1SCA109749R1001 | 0.02 |
| M40 to M25 | EPN720M40/M25 | 1SCA114808R1001 | 0.02 |
| M32 to M40 | EPN740M32/M40 | 1SCA114810R1001 | 0.02 |

Gasket

| Thread/hole dia | Type | Order number | Weight [kg] |
|-----------------|--------|-----------------|-------------|
| M12/ø12,5 | EADR12 | 1SCA114804R1001 | 0.01 |
| M16/ø16.5 | EADR16 | 1SCA022749R6410 | 0.01 |
| M20/ø20.5 | EADR20 | 1SCA022749R6500 | 0.01 |
| M25/ø25.5 | EADR25 | 1SCA022749R6680 | 0.01 |
| M32/ø32.5 | EADR32 | 1SCA101165R1001 | 0.01 |
| M50/ø50.5 | EADR50 | 1SCA104353R1001 | 0.01 |

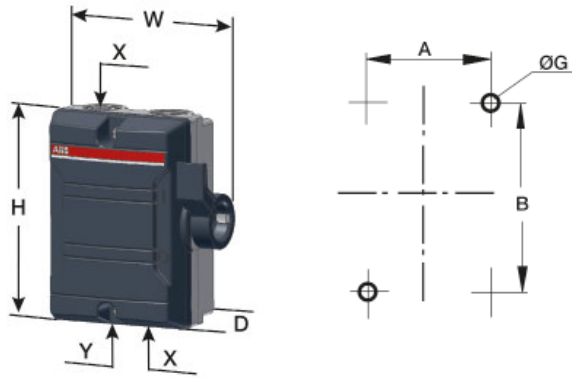
Condensation water outlet IP44

| Hole diameter [mm] | Type | Order number | Weight [kg] |
|--------------------|-------|-----------------|-------------|
| 10 | YJTB3 | 1SCA122170R1001 | 0.025 |

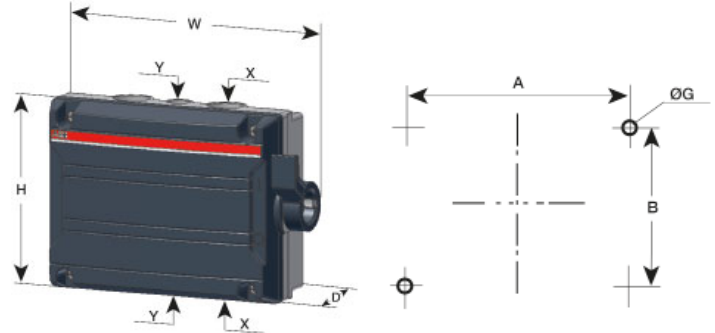
Dimension drawings

Plastic enclosed switch-disconnectors

BW225....425, BW240..440



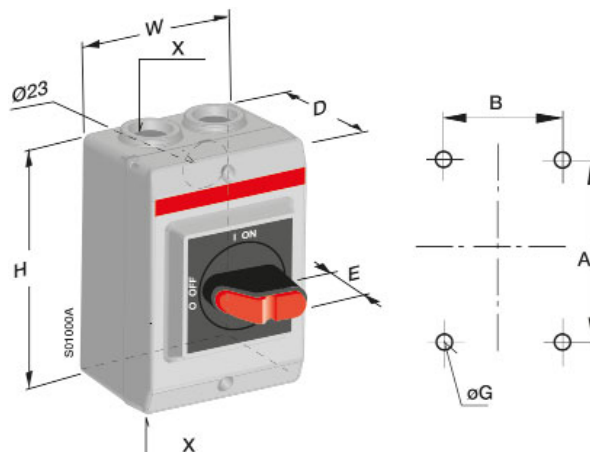
BW625...640



Side operated switch-disconnectors

| Type | Size | | | Cable entry | | Fixing dimensions | | |
|--|------|-----|----|-------------|-------|-------------------|-----|---|
| | W | H | D | X | Y | A | B | G |
| 2-pole, plastic enclosed switch-disconnectors | | | | | | | | |
| BW225 DP | 111 | 130 | 60 | 2xM25 | - | 64 | 90 | 5 |
| BW225 W DP | 111 | 130 | 60 | 2xM25 | - | 64 | 90 | 5 |
| BW240 DP | 138 | 168 | 68 | 2xM32 | 1xM16 | 90 | 127 | 5 |
| 3-pole, plastic enclosed switch-disconnectors | | | | | | | | |
| BW325 W TPN | 111 | 130 | 60 | 2xM25 | - | 64 | 90 | 5 |
| BW325 TPN | 111 | 130 | 60 | 2xM25 | - | 64 | 90 | 5 |
| BW325 Y TPN | 111 | 130 | 60 | 2xM25 | - | 64 | 90 | 5 |
| BW325 L TPN | 111 | 130 | 62 | 2xM25 | - | 64 | 90 | 5 |
| BW325 K TPN | 111 | 130 | 62 | 2xM25 | - | 64 | 90 | 5 |
| BW340 TPN | 138 | 168 | 68 | 2xM32 | 1xM16 | 90 | 127 | 5 |
| 4-pole, plastic enclosed switch-disconnectors | | | | | | | | |
| BW425 TPSN | 111 | 130 | 60 | 2xM25 | - | 64 | 90 | 5 |
| BW440 TPSN | 138 | 168 | 68 | 2xM32 | 1xM16 | 90 | 127 | 5 |
| 6-pole, plastic enclosed switch-disconnectors | | | | | | | | |
| BW625 TPN | 190 | 130 | 65 | 2xø25 | ø16 | 124 | 90 | 5 |
| BW640 TPN | 190 | 130 | 65 | 2xø25 | ø16 | 124 | 90 | 5 |

OTP16B_

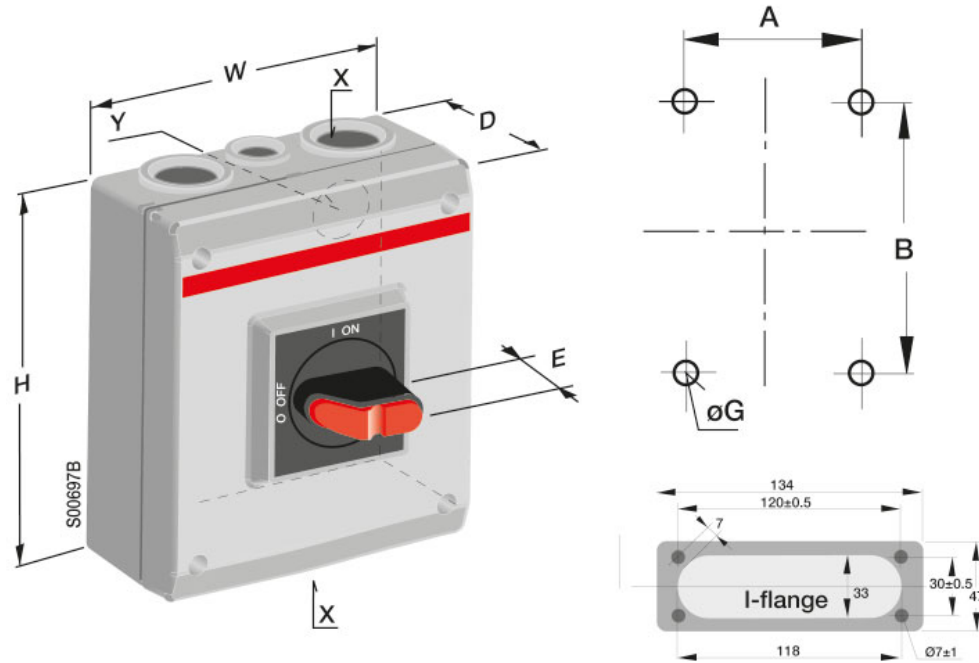


Front operated switch-disconnectors

| Type | Size | | | | Cable entry | Fixing dimensions | |
|------------------------|------|----|----|----|-------------|-------------------|------|
| | H | W | D | E | | X | A |
| 3-pole | | | | | | | |
| OTP16_3M | 120 | 85 | 60 | 33 | 2xM20 | 105.5 | 70.5 |
| OTP16_3M25 | 120 | 85 | 60 | 33 | 2xM25 | 105.5 | 70.5 |
| OTP16_3P | 120 | 85 | 60 | 33 | 2xPg16 | 105.5 | 70.5 |
| OTP16_3U | 120 | 85 | 60 | 33 | - | 105.5 | 70.5 |
| DC solar switch | | | | | | | |
| OTP16BA3MS | 120 | 85 | 60 | 33 | 2xM20 | 105.5 | 70.5 |

Dimension drawings

Plastic enclosed switch-disconnectors

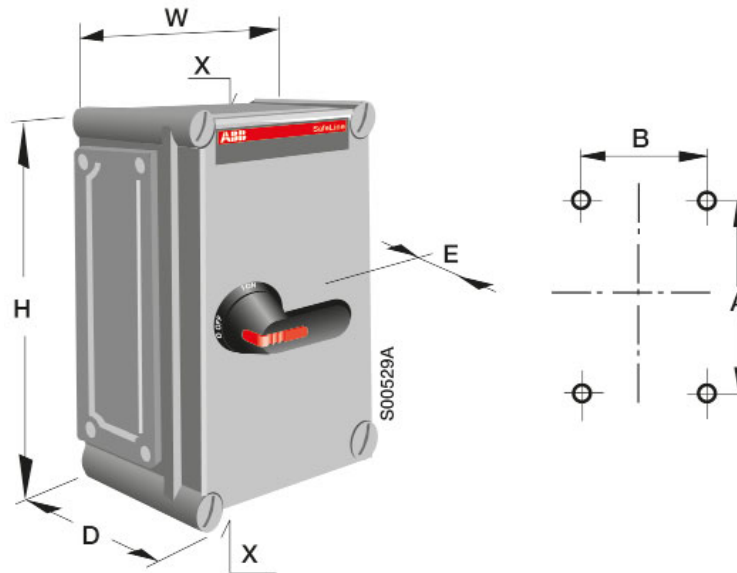


Front operated switch-disconnectors

| Type | Size | | | | Cable entry | | Fixing dimensions | | |
|--------------------------|------|-----|-----|-----|-------------|-----------|-------------------|-------|---|
| | E | W | H | D | X | Y | A | B | G |
| 3-pole | | | | | | | | | |
| OTP 25...32_3M | 33 | 130 | 150 | 60 | 2xM25+M16 | 2Xø29+ø19 | 115 | 136 | 5 |
| OTP 25...32_3P | 33 | 130 | 150 | 60 | 2XPg21+Pg11 | 2Xø29+ø19 | 115 | 136 | 5 |
| OTP 45...63_3M | 33 | 145 | 200 | 90 | 2xM32+M16 | 2Xø38+ø19 | 129.5 | 182.5 | 5 |
| OTP 45...63_3P | 33 | 145 | 200 | 90 | 2XPg29+Pg11 | 2Xø38+ø19 | 129.5 | 182.5 | 5 |
| OTP80...125_3B | 33 | 200 | 400 | 140 | I-flange | Blank | 176 | 376 | 6 |
| OTP80...125_3U | 33 | 200 | 400 | 140 | Blank | Blank | 176 | 376 | 6 |
| OTP125_3M | 33 | 200 | 400 | 140 | 2xM50+M16 | Blank | 176 | 376 | 6 |
| 4-pole | | | | | | | | | |
| OTP 16...32_4M | 33 | 130 | 150 | 60 | 2xM25+M16 | 2Xø29+ø19 | 115 | 136 | 5 |
| OTP 16...32_4P | 33 | 130 | 150 | 60 | 2XPg21+Pg11 | 2Xø29+ø19 | 115 | 136 | 5 |
| OTP 45...63_4M | 33 | 145 | 200 | 90 | 2xM32+M16 | 2Xø38+ø19 | 129.5 | 182.5 | 5 |
| OTP 45...63_4P | 33 | 145 | 200 | 90 | 2XPg29+Pg11 | 2Xø38+ø19 | 129.5 | 182.5 | 5 |
| OTP80...125_4B | 33 | 200 | 400 | 140 | I-flange | Blank | 176 | 376 | 6 |
| OTP80...125_4U | 33 | 200 | 400 | 140 | Blank | Blank | 176 | 376 | 6 |
| OTP125_4M | 33 | 200 | 400 | 140 | 2xM50+M16 | Blank | 176 | 376 | 6 |
| 6-pole | | | | | | | | | |
| OTP 16...32_6M | 33 | 130 | 150 | 85 | 2xM25+M16 | 2Xø29+ø19 | 115 | 136 | 5 |
| OTP 16...32_6P | 33 | 130 | 150 | 85 | 2XPg21+Pg11 | 2Xø29+ø19 | 115 | 136 | 5 |
| OTP 45...63_6M | 45 | 145 | 200 | 90 | 2xM32+M16 | 2Xø38+ø19 | 129.5 | 182.5 | 5 |
| OTP 45...63_6P | 45 | 145 | 200 | 90 | 2XPg29+Pg11 | 2Xø38+ø19 | 129.5 | 182.5 | 5 |
| OTP80...125_6B | 45 | 200 | 400 | 140 | I-flange | Blank | 176 | 376 | 6 |
| OTP80...125_6U | 45 | 200 | 400 | 140 | Blank | Blank | 176 | 376 | 6 |
| OTP125_6M | 45 | 200 | 400 | 140 | 2xM50+M16 | Blank | 176 | 376 | 6 |
| DC solar switches | | | | | | | | | |
| OTP16BA4MS, OTP32BA3MS | 33 | 130 | 150 | 60 | 2xM25+M16 | 2Xø29+ø19 | 115 | 136 | 5 |
| OTP16...32BA8MS | 33 | 130 | 150 | 85 | 2xM25+M16 | 2Xø29+ø19 | 115 | 136 | 5 |

Dimension drawings

Plastic enclosed switch-disconnectors and switch fuses



Front operated switch-disconnectors

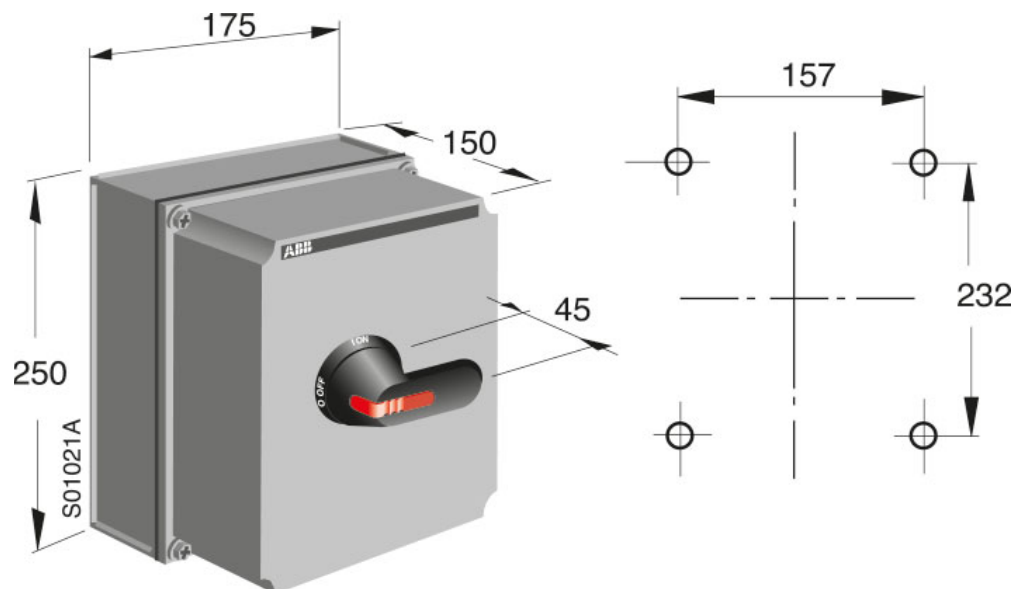
| Type | Size | | | | Cable entry | Fixing dimensions | |
|----------------------|------|-----|-----|----|-------------|-------------------|-----|
| | H | W | D | E | | X | A |
| 3- and 4-pole | | | | | | | |
| OT160FCC_B | 380 | 280 | 130 | 45 | II | 355 | 255 |
| OT200KFCC_B | 560 | 280 | 180 | 45 | II | 535 | 255 |
| OT250KFCC_B | 560 | 280 | 180 | 45 | II | 535 | 255 |
| OT315KFCC_B | 560 | 380 | 180 | 45 | II | 535 | 355 |
| OT400DFCC_B | 840 | 380 | 180 | 45 | II | 815 | 355 |
| OT630KFCC_B | 840 | 380 | 180 | 45 | II | 815 | 355 |
| OT800KFCC_B | 760 | 560 | 250 | 45 | 2xII | 735 | 535 |

Front operated switch fuses

| Type | Size | | | | Cable entry | Fixing dimensions | |
|------------------|------|-----|-----|----|-------------|-------------------|-----|
| | H | W | D | E | | X | A |
| BS-type | | | | | | | |
| OS32GA2FCC3B | 190 | 280 | 180 | 45 | II | 165 | 255 |
| OS32GA2FCC4B | 190 | 280 | 180 | 45 | II | 165 | 255 |
| OS63GA3FCC3B | 190 | 280 | 180 | 45 | II | 165 | 255 |
| OS63GA3FCC4B | 190 | 280 | 180 | 45 | II | 165 | 255 |
| OS100GA4FCC3B | 380 | 280 | 180 | 45 | II | 355 | 255 |
| OS100GA4FCC4B | 380 | 280 | 180 | 45 | II | 355 | 255 |
| OS200BB2FCC3B | 560 | 380 | 280 | 45 | II | 535 | 355 |
| OS200BB2FCC4B | 560 | 380 | 280 | 45 | II | 535 | 355 |
| OS315BB3FCC3B | 760 | 560 | 250 | 45 | 2 x II | 735 | 535 |
| OS400BB3FCC3B | 760 | 560 | 250 | 45 | 2 x II | 735 | 535 |
| DIN-type | | | | | | | |
| OS00-32A00FCC3B | 190 | 280 | 180 | 45 | II | 165 | 255 |
| OS00-32A00FCC4B | 190 | 280 | 180 | 45 | II | 165 | 255 |
| OS00-63A00FCC3B | 190 | 280 | 180 | 45 | II | 165 | 255 |
| OS00-63A00FCC4B | 190 | 280 | 180 | 45 | II | 165 | 255 |
| OS00A00FCC3B | 380 | 280 | 180 | 45 | II | 355 | 255 |
| OS00A00FCC4B | 380 | 280 | 180 | 45 | II | 355 | 255 |
| OS00-160A00FCC3B | 560 | 380 | 180 | 45 | II | 535 | 355 |
| OS00-160A00FCC4B | 560 | 380 | 180 | 45 | II | 535 | 355 |
| OS250D1FCC3B | 560 | 380 | 280 | 45 | II | 535 | 355 |
| OS250D1FCC4B | 760 | 560 | 250 | 45 | 2 x II | 735 | 535 |
| OS400D2FCC3B | 760 | 560 | 250 | 45 | 2 x II | 735 | 535 |

Dimension drawings

Plastic enclosed switch fuses

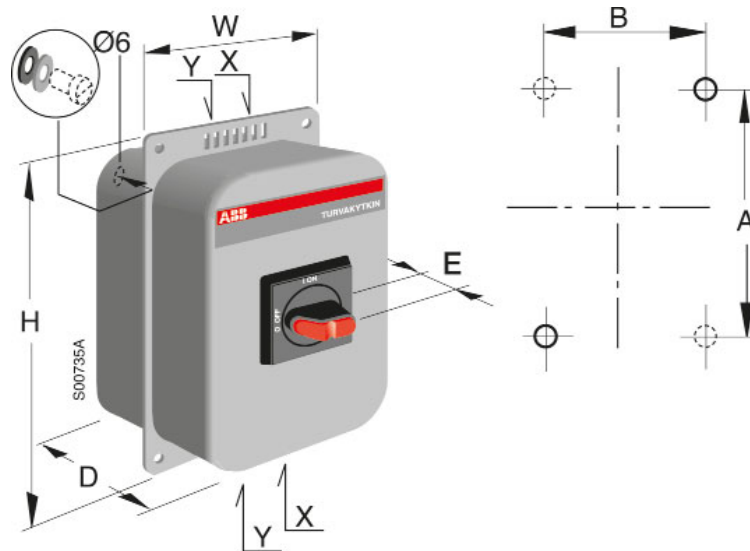


Front operated switch fuses

| Type |
|--------------|
| OS20PA1FUU3B |
| OS20PA1FUU4B |
| OS32PA1FUU3B |
| OS32PA1FUU4B |

Dimension drawings

Steel sheet enclosed switch-disconnectors, change-over switches and switch fuses



Front operated switch-disconnectors

| Type | Size | | | | Cable entry | Fixing dimensions | |
|----------------------|------|-----|-----|------|-------------|-------------------|-----|
| | H | W | D | E | | X | A |
| 3- and 4-pole | | | | | | | |
| OT16ELMM_B | 240 | 162 | 110 | 34.5 | 2Xø20+ø16 | 144 | 92 |
| OT25ELMM_B | 240 | 162 | 110 | 34.5 | 2Xø25+ø16 | 144 | 92 |
| OT32ELMM_B | 240 | 162 | 110 | 34.5 | 2Xø25+ø16 | 144 | 92 |
| OT45ELMM_B | 240 | 162 | 110 | 34.5 | 2Xø32+ø16 | 144 | 92 |
| OT63ELMM_B | 240 | 162 | 110 | 34.5 | 2Xø32+ø16 | 144 | 92 |
| OT80ELBB_B | 350 | 233 | 140 | 34.5 | B-flange | 250 | 160 |
| OT125ELBB_B | 350 | 233 | 140 | 34.5 | B-flange | 250 | 160 |
| 6-pole | | | | | | | |
| OT16ELMM6BZ | 350 | 233 | 140 | 34.5 | 2Xø25+ø16 | 250 | 160 |
| OT25ELMM6BZ | 350 | 233 | 140 | 34.5 | 2Xø25+ø16 | 250 | 160 |
| OT32ELMM6BZ | 350 | 233 | 140 | 34.5 | 2Xø25+ø16 | 250 | 160 |
| OT45ELMM6BZ | 350 | 233 | 140 | 34.5 | 2Xø32+ø16 | 250 | 160 |
| OT63ELMM6BZ | 350 | 233 | 140 | 34.5 | 2Xø32+ø16 | 250 | 160 |

Front operated change-over switches

| Type | Size | | | | Cable entry | Fixing dimensions | |
|------------|------|-----|-----|------|-------------|-------------------|-----|
| | H | W | D | E | | X | A |
| OT16ELMM3C | 350 | 233 | 140 | 34.5 | 2Xø25+ø16 | 250 | 160 |
| OT25ELMM3C | 350 | 233 | 140 | 34.5 | 2Xø25+ø16 | 250 | 160 |
| OT32ELMM3C | 350 | 233 | 140 | 34.5 | 2Xø25+ø16 | 250 | 160 |
| OT45ELMM3C | 350 | 233 | 140 | 34.5 | 2Xø32+ø16 | 250 | 160 |
| OT63ELMM3C | 350 | 233 | 140 | 34.5 | 2Xø32+ø16 | 250 | 160 |

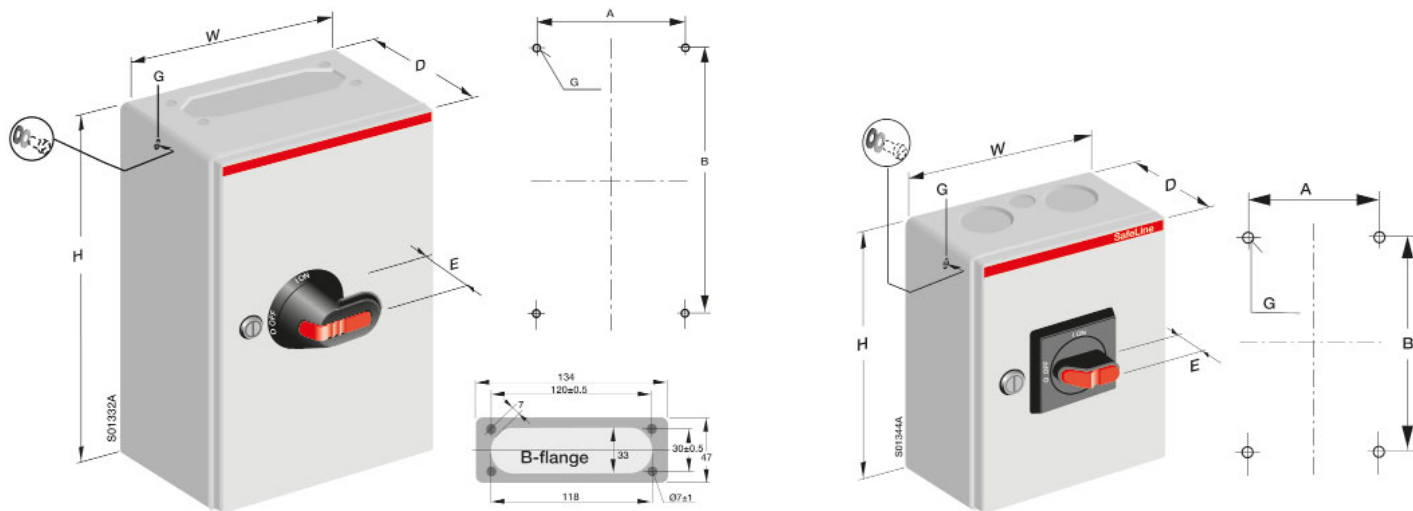
Front operated switch fuses

| Type | Size | | | | Cable entry | Fixing dimensions | |
|--------------|------|-----|-----|----|-------------|-------------------|-----|
| | H | W | D | E | | X | A |
| OS20PA1LMM3B | 350 | 233 | 140 | 45 | 2Xø20+ø16 | 250 | 160 |
| OS20PA1LMM4B | 350 | 233 | 140 | 45 | 2Xø20+ø16 | 250 | 160 |
| OS32PA1LMM3B | 350 | 233 | 140 | 45 | 2Xø20+ø16 | 250 | 160 |
| OS32PA1LMM4B | 350 | 233 | 140 | 45 | 2Xø20+ø16 | 250 | 160 |

Dimension drawings

Steel sheet / stainless steel sheet

enclosed switch-disconnectors

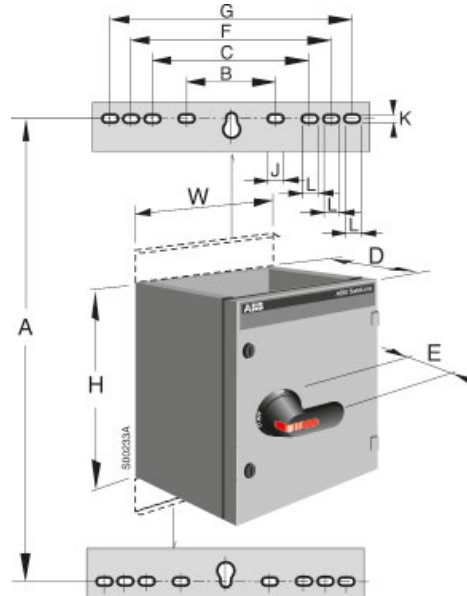


Front operated switch-disconnectors

| Type | Size | | | | Cable entry | | Fixing dimensions | | |
|---------------|------|-----|-----|-----|---------------|---------------|-------------------|-----|-----|
| | E | W | H | D | X | Y | A | B | G |
| 3-pole | | | | | | | | | |
| OT_16B_3M | 33 | 150 | 200 | 100 | 2xø25,5+ø16,5 | 2xø25,5+ø16,5 | 80 | 130 | 6,6 |
| OT_25B_3M | 33 | 150 | 200 | 100 | 2xø25,5+ø16,5 | 2xø25,5+ø16,5 | 80 | 130 | 6,6 |
| OT_32B_3M | 33 | 150 | 200 | 100 | 2xø25,5+ø16,5 | 2xø25,5+ø16,5 | 80 | 130 | 6,6 |
| OT_45B_3M | 33 | 150 | 200 | 100 | 2xø32,5+ø16,5 | 2xø32,5+ø16,5 | 80 | 130 | 6,6 |
| OT_63B_3M | 33 | 150 | 200 | 100 | 2xø32,5+ø16,5 | 2xø32,5+ø16,5 | 80 | 130 | 6,6 |
| OT_100B_3B | 45 | 200 | 300 | 135 | B-flange | B-flange | 130 | 230 | 6,5 |
| OT_100B_3U | 45 | 200 | 300 | 135 | Blank | Blank | 130 | 230 | 6,5 |
| OT_125B_3B | 45 | 200 | 300 | 135 | B-flange | B-flange | 130 | 230 | 6,5 |
| OT_125B_3U | 45 | 200 | 300 | 135 | Blank | Blank | 130 | 230 | 6,5 |
| 4-pole | | | | | | | | | |
| OT_16B_4M | 33 | 150 | 200 | 100 | 2xø25,5+ø16,5 | 2xø25,5+ø16,5 | 80 | 130 | 6,6 |
| OT_25B_4M | 33 | 150 | 200 | 100 | 2xø25,5+ø16,5 | 2xø25,5+ø16,5 | 80 | 130 | 6,6 |
| OT_32B_4M | 33 | 150 | 200 | 100 | 2xø25,5+ø16,5 | 2xø25,5+ø16,5 | 80 | 130 | 6,6 |
| OT_45B_4M | 33 | 150 | 200 | 100 | 2xø32,5+ø16,5 | 2xø32,5+ø16,5 | 80 | 130 | 6,6 |
| OT_63B_4M | 33 | 150 | 200 | 100 | 2xø32,5+ø16,5 | 2xø32,5+ø16,5 | 80 | 130 | 6,6 |
| OT_100B_4B | 45 | 200 | 300 | 135 | B-flange | B-flange | 130 | 230 | 6,5 |
| OT_100B_4U | 45 | 200 | 300 | 135 | Blank | Blank | 130 | 230 | 6,5 |
| OT_125B_4B | 45 | 200 | 300 | 135 | B-flange | B-flange | 130 | 230 | 6,5 |
| OT_125B_4U | 45 | 200 | 300 | 135 | Blank | Blank | 130 | 230 | 6,5 |
| 6-pole | | | | | | | | | |
| OT_16B_6M | 33 | 150 | 200 | 100 | 2xø25,5+ø16,5 | 2xø25,5+ø16,5 | 80 | 130 | 6,6 |
| OT_25B_6M | 33 | 150 | 200 | 100 | 2xø25,5+ø16,5 | 2xø25,5+ø16,5 | 80 | 130 | 6,6 |
| OT_32B_6M | 33 | 150 | 200 | 100 | 2xø25,5+ø16,5 | 2xø25,5+ø16,5 | 80 | 130 | 6,6 |
| OT_45B_6B | 45 | 200 | 300 | 135 | B-flange | B-flange | 130 | 230 | 6,5 |
| OT_45B_6U | 45 | 200 | 300 | 135 | Blank | Blank | 130 | 230 | 6,5 |
| OT_63B_6B | 45 | 200 | 300 | 135 | B-flange | B-flange | 130 | 230 | 6,5 |
| OT_63B_6U | 45 | 200 | 300 | 135 | Blank | Blank | 130 | 230 | 6,5 |

Dimension drawings

Steel sheet enclosed switch-disconnectors and change-over switches



Front operated switch-disconnectors

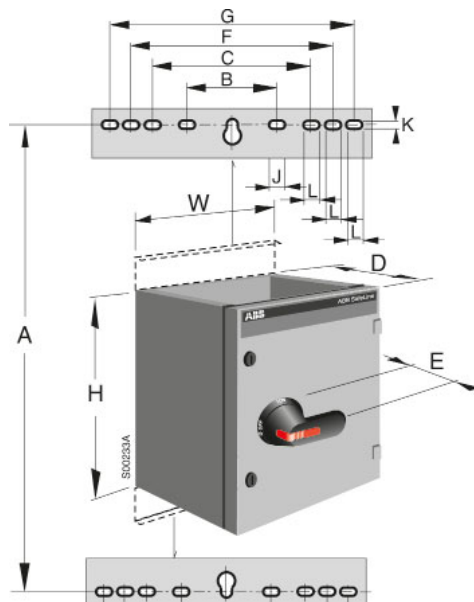
| Type | Size | | | | Fixing dimensions | | | | | | Fixing holes | | |
|--|------|-----|-----|----|-------------------|-----|-----|-----|-----|----|--------------|----|--|
| | H | W | D | E | A | B | C | F | G | J | K | L | |
| 3- and 4-pole, switch-disconnectors | | | | | | | | | | | | | |
| OT125AL | 400 | 250 | 180 | 45 | 445 | 162 | - | - | - | 27 | 11 | - | |
| OT160EL | 600 | 250 | 180 | 45 | 445 | 162 | - | - | - | 27 | 11 | - | |
| OT200KL | 600 | 400 | 230 | 45 | 645 | 303 | - | - | - | 35 | 11 | - | |
| OT250KL | 600 | 400 | 230 | 45 | 645 | 303 | - | - | - | 35 | 11 | - | |
| OT315KL | 600 | 400 | 230 | 45 | 645 | 303 | - | - | - | 35 | 11 | - | |
| OT400DL | 800 | 400 | 230 | 45 | 845 | 303 | - | - | - | 35 | 11 | - | |
| OT630KL | 1000 | 400 | 230 | 45 | 1045 | 303 | - | - | - | 35 | 11 | - | |
| OT800KL | 1000 | 400 | 230 | 45 | 1045 | 303 | - | - | - | 35 | 11 | - | |
| OT1000KL | 1200 | 800 | 230 | 45 | 1045 | 303 | 512 | 612 | 712 | 35 | 11 | 27 | |
| OT1250KL | 1200 | 800 | 330 | 45 | 1045 | 303 | 512 | 612 | 712 | 35 | 11 | 27 | |
| OT1600KL | 1200 | 800 | 330 | 45 | 1045 | 303 | 512 | 612 | 712 | 35 | 11 | 27 | |
| 6-pole, switch-disconnectors | | | | | | | | | | | | | |
| OT125AL | 400 | 400 | 230 | 45 | 445 | 303 | - | - | - | 35 | 11 | - | |
| OT160EL | 400 | 400 | 230 | 45 | 445 | 303 | - | - | - | 35 | 11 | - | |
| OT200KL | 600 | 800 | 230 | 45 | 645 | 303 | - | - | - | 35 | 11 | - | |
| OT250KL | 800 | 800 | 230 | 45 | 845 | 303 | - | - | - | 35 | 11 | - | |
| OT315KL | 800 | 800 | 230 | 45 | 845 | 303 | - | - | - | 35 | 11 | - | |
| OT400DL | 800 | 800 | 230 | 45 | 845 | 303 | - | - | - | 35 | 11 | - | |
| OT630KL | 1000 | 800 | 230 | 45 | 1045 | 303 | - | - | - | 35 | 11 | - | |
| OT800KL | 1000 | 800 | 230 | 45 | 1045 | 303 | - | - | - | 35 | 11 | - | |

Front operated change-over switches

| Type | Size | | | | Fixing dimensions | | | | | | Fixing holes | | |
|---------|------|-----|-----|----|-------------------|-----|-----|-----|-----|----|--------------|----|--|
| | H | W | D | E | A | B | C | F | G | J | K | L | |
| OT160KL | 600 | 400 | 230 | 45 | 645 | 303 | - | - | - | 35 | 11 | - | |
| OT200KL | 600 | 400 | 230 | 45 | 645 | 303 | - | - | - | 35 | 11 | - | |
| OT250KL | 600 | 400 | 230 | 45 | 845 | 303 | - | - | - | 35 | 11 | 27 | |
| OT315KL | 800 | 400 | 330 | 45 | 845 | 303 | - | - | - | 35 | 11 | 27 | |
| OT400DL | 800 | 400 | 330 | 45 | 845 | 303 | - | - | - | 35 | 11 | 27 | |
| OT630KL | 1000 | 800 | 330 | 45 | 1045 | 303 | 512 | 612 | 712 | 35 | 11 | 27 | |
| OT800KL | 1000 | 800 | 330 | 45 | 1045 | 303 | 512 | 612 | 712 | 35 | 11 | 27 | |

Dimension drawings

Steel sheet enclosed switch fuses



Front operated switch fuses

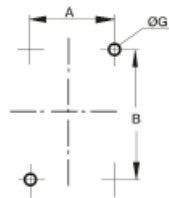
| Type | Size | | | | Fixing dimensions | | | | | | Fixing holes | | |
|---------------------------|------|-----|-----|----|-------------------|-----|-----|-----|-----|----|--------------|----|--|
| | H | W | D | E | A | B | C | F | G | J | K | L | |
| BS-type | | | | | | | | | | | | | |
| 2-, 3-, and 4-pole | | | | | | | | | | | | | |
| OS20PA1LUU | 400 | 250 | 180 | 45 | 445 | 162 | - | - | - | 27 | 11 | - | |
| OS32PA1LUU | 400 | 250 | 180 | 45 | 445 | 162 | - | - | - | 27 | 11 | - | |
| OS32GA3LUU | 400 | 250 | 180 | 45 | 445 | 162 | - | - | - | 27 | 11 | - | |
| OS63GA3LUU | 400 | 250 | 180 | 45 | 445 | 162 | - | - | - | 27 | 11 | - | |
| OS100GA4LUU | 400 | 250 | 180 | 45 | 445 | 162 | - | - | - | 27 | 11 | - | |
| OS160BB2LUU | 600 | 400 | 230 | 45 | 645 | 303 | - | - | - | 35 | 11 | - | |
| OS200BB2LUU | 800 | 400 | 330 | 45 | 845 | 303 | - | - | - | 35 | 11 | - | |
| OS315BB3LUU | 800 | 400 | 330 | 45 | 845 | 303 | - | - | - | 35 | 11 | - | |
| OS400BB4LUU | 800 | 400 | 330 | 45 | 845 | 303 | - | - | - | 35 | 11 | - | |
| OS630BC2LUU2FZ | 1000 | 400 | 330 | 45 | 1045 | 303 | - | - | - | 35 | 11 | - | |
| OS630BC2LUU3FZ | 1000 | 400 | 330 | 45 | 1045 | 303 | - | - | - | 35 | 11 | - | |
| OS630BC2LUU4FZ | 1000 | 800 | 330 | 45 | 1045 | 303 | 512 | 612 | 712 | 35 | 11 | 27 | |
| OS800BC2LUU2FZ | 1000 | 400 | 330 | 45 | 1045 | 303 | - | - | - | 35 | 11 | - | |
| OS800BC2LUU3FZ | 1000 | 800 | 330 | 45 | 1045 | 303 | 512 | 612 | 712 | 35 | 11 | 27 | |
| OS800BC2LUU4FZ | 1000 | 800 | 330 | 45 | 1045 | 303 | 512 | 612 | 712 | 35 | 11 | 27 | |

| Type | Size | | | | Fixing dimensions | | | | | | Fixing holes | | |
|----------------------|------|-----|-----|----|-------------------|-----|-----|-----|-----|----|--------------|----|--|
| | H | W | D | E | A | B | C | F | G | J | K | L | |
| DIN-type | | | | | | | | | | | | | |
| 3- and 4-pole | | | | | | | | | | | | | |
| OS00-32A00LAA | 400 | 250 | 180 | 45 | 445 | 162 | - | - | - | 27 | 11 | - | |
| OS00-63A00LAA | 400 | 250 | 180 | 45 | 445 | 162 | - | - | - | 27 | 11 | - | |
| OS00A00LAA | 400 | 250 | 180 | 45 | 445 | 162 | - | - | - | 27 | 11 | - | |
| OS00-160A00LAA | 600 | 400 | 230 | 45 | 645 | 303 | - | - | - | 35 | 11 | - | |
| OS250DILAA | 800 | 400 | 330 | 45 | 845 | 303 | - | - | - | 35 | 11 | - | |
| OS400D2LAA | 800 | 400 | 330 | 45 | 845 | 303 | - | - | - | 35 | 11 | - | |
| OS630D3LAA3B | 1000 | 400 | 330 | 45 | 1045 | 303 | - | - | - | 35 | 11 | - | |
| OS630D3LAA4B | 1000 | 800 | 330 | 45 | 1045 | 303 | 512 | 612 | 712 | 35 | 11 | 27 | |
| OS800D3LAA | 1000 | 800 | 330 | 45 | 1045 | 303 | 512 | 612 | 712 | 35 | 11 | 27 | |

Dimension drawings

Aluminum enclosed switch-disconnectors

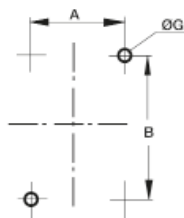
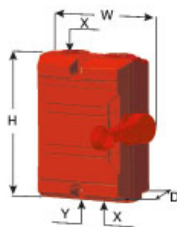
KSE225...440



Side operated switch-disconnectors

| Type | Size | | | Cable entry | | Fixing dimensions | | |
|--|------|-----|----|-------------|-------|-------------------|-----|---|
| | W | H | D | X | Y | A | B | G |
| 2 pole-Aluminum enclosed switch-disconnectors | | | | | | | | |
| KSE225 DP | 111 | 130 | 60 | 2xM25 | - | 64 | 90 | 5 |
| KSE240 DP | 138 | 168 | 68 | 2xM25 | 1xM16 | 90 | 127 | 5 |
| 3 pole-Aluminum enclosed switch-disconnectors | | | | | | | | |
| KSE325 TPN | 111 | 130 | 60 | 2xM25 | - | 64 | 90 | 5 |
| KSE340 TPN | 138 | 168 | 68 | 2xM32 | 1xM16 | 90 | 127 | 5 |
| 4 pole-Aluminum enclosed switch-disconnectors | | | | | | | | |
| KSE425 TPSN | 111 | 130 | 60 | 2xM25 | - | 64 | 90 | 5 |
| KSE440 TPSN | 138 | 168 | 68 | 2xM32 | 1xM16 | 90 | 127 | 5 |

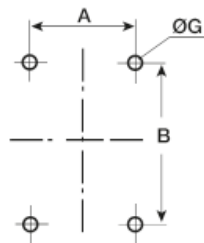
KSF325...440



Fireman's switches

| Type | Size | | | Cable entry | | Fixing dimensions | | |
|---|------|-----|----|-------------|-------|-------------------|-----|---|
| | W | H | D | X | Y | A | B | G |
| 2 pole-Fireman switch, side operated in Aluminum | | | | | | | | |
| KSF225 DP | 111 | 130 | 60 | 2xM25 | - | 64 | 90 | 5 |
| 3 pole-Fireman switch, side operated in Aluminum | | | | | | | | |
| KSF325 TPN | 111 | 130 | 60 | 2xM25 | - | 64 | 90 | 5 |
| KSF325 TPN NO | 111 | 130 | 60 | 2xM25 | - | 64 | 90 | 5 |
| KSF340 TPN | 138 | 168 | 68 | 2xM32 | 1xM16 | 90 | 127 | 5 |
| 4 pole-Fireman switch, side operated in Aluminum | | | | | | | | |
| KSF425 TPSN | 111 | 130 | 60 | 2xM25 | - | 64 | 90 | 5 |
| KSF440 TPSN | 138 | 168 | 68 | 2xM32 | 1xM16 | 90 | 127 | 5 |

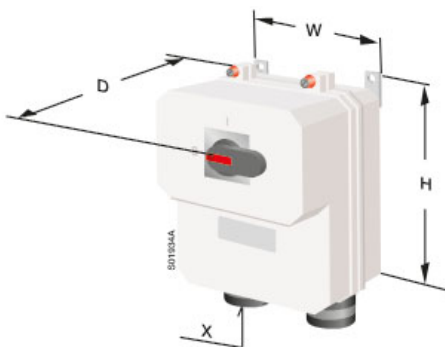
KSE263...4100



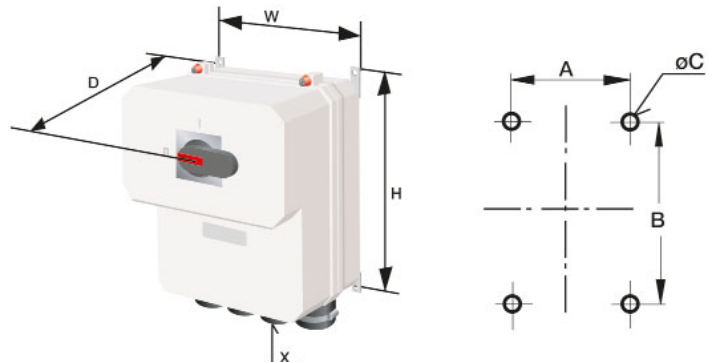
Front operated switch-disconnectors

| Type | Size | | | Cable entry | | Fixing dimensions | | |
|--|------|-----|-----|-------------|-------|-------------------|-----|-----|
| | W | H | D | X | Y | A | B | G |
| 3 pole-Enclosed switch-disconnector, front operated in Aluminum | | | | | | | | |
| KSE363 - 3125 | 160 | 230 | 145 | 2xM40 | 1xM16 | 124 | 190 | 5.3 |
| 4 pole-Enclosed switch-disconnector, front operated in Aluminum | | | | | | | | |
| KSE463 - 480 | 160 | 230 | 145 | 2xM40 | 1xM16 | 124 | 190 | 5.3 |

KSE3160



KSE3250...3630



Front operated switch-disconnectors

| Type | H | W | D | X | A | | B | C |
|--------------|-----|-----|-----|----------|---------|---------|---|----|
| | | | | | min/max | min/max | | |
| KSE3160 | 405 | 400 | 234 | 2xØ18-48 | 340/414 | 331/405 | | 8 |
| KSE3250/3315 | 555 | 465 | 322 | 4xØ30-68 | 395/490 | 485/580 | | 10 |
| KSE3500/3630 | 655 | 565 | 322 | 4xØ30-68 | 495/590 | 585/680 | | 10 |

Accessories

Auxiliary contacts/Enclosed switches

| Type | I[A] | Auxiliary contacts | | Auxiliary contact/ type to add | | | Type | I[A] | Auxiliary contacts | | Auxiliary contact/ type to add | | |
|------------------|------|----------------------------------|------------|-----------------------------------|--------|----------------|--------------|------|----------------------------------|------------|-----------------------------------|--------|----------------|
| | | incl. in standard delivery | max. | NO | NC | NO or NO+NC | | | incl. in standard delivery | max. | NO | NC | NO or NO+NC |
| KSF225 DP | 25 | - | 1no or 1nc | OBEA10 | OBEA01 | | OTP16BA3M | 16 | - | 1no+1nc | OA1G10 | OA1G01 | |
| KSF325 TPN | 25 | - | 1no or 1nc | OBEA10 | OBEA01 | | OTP16BA3M25 | 16 | - | 1no+1nc | OA1G10 | OA1G01 | |
| KSF325 TPN NO | 25 | 1no | 1no or 1nc | OBEA10 | OBEA01 | | OTP16BA3MS | 16 | - | 1no+1nc | OA1G10 | OA1G01 | |
| KSF425 TPSN | 25 | - | 1no or 1nc | OBEA10 | OBEA01 | | OTP16BA3P | 16 | - | 1no+1nc | OA1G10 | OA1G01 | |
| KSF340 TPN | 40 | - | 1no or 1nc | OBEA10 | OBEA01 | | OTP16BA4M | 16 | - | 2no+2nc | OA1G10 | OA1G01 | |
| KSF440 TPSN | 40 | - | 1no or 1nc | OBEA10 | OBEA01 | | OTP16BA4MS | 16 | - | 2no+2nc | OA1G10 | OA1G01 | |
| KSE 225 DP | 25 | - | 1no or 1nc | OBEA10 | OBEA01 | | OTP16BA4P | 16 | - | 2no+2nc | OA1G10 | OA1G01 | |
| KSE 325 TPN | 25 | - | 1no or 1nc | OBEA10 | OBEA01 | | OTP16BA6M | 16 | - | 1no+1nc | OA1G10 | OA1G01 | |
| KSE 425 TPSN | 25 | - | 1no or 1nc | OBEA10 | OBEA01 | | OTP16BA6M | 16 | - | 2no | OA1G10 | - | OA7G10 |
| KSE 240 DP | 40 | - | 1no or 1nc | OBEA10 | OBEA01 | | OTP16BA6P | 16 | - | 1no+1nc | OA1G10 | OA1G01 | |
| KSE 340 TPN | 40 | - | 1no or 1nc | OBEA10 | OBEA01 | | OTP16BA6P | 16 | - | 2no | OA1G10 | - | OA7G10 |
| KSE 440 TPSN | 40 | - | 1no or 1nc | OBEA10 | OBEA01 | | OTP16BA8MS | 16 | - | 1no+1nc | OA1G10 | OA1G01 | |
| KSE363 D/TPN | 63 | - | 1no or 1nc | OA1G10 | OA3G01 | | OTP16HB3M | 16 | - | 1no+1nc | OA1G10 | OA1G01 | |
| KSE363 TPN | 63 | - | 1no or 1nc | OA1G10 | OA3G01 | | OTP16HB3M25 | 16 | - | 1no+1nc | OA1G10 | OA1G01 | |
| KSE463 TPN | 63 | - | 1no or 1nc | OA1G10 | OA3G01 | | OTP16HB3P | 16 | - | 1no+1nc | OA1G10 | OA1G01 | |
| KSE380 TPN | 80 | - | 1no or 1nc | OA1G10 | OA3G01 | | OTP16HB3U | 16 | - | 1no+1nc | OA1G10 | OA1G01 | |
| KSE480 TPN | 80 | - | 1no or 1nc | OA1G10 | OA3G01 | | BW225 DP | 25 | - | 1no or 1nc | OBEA10 | OBEA01 | |
| KSE3125 TPN | 125 | - | 1no or 1nc | OA1G10 | OA3G01 | | BW225 W/DP | 25 | - | 1no or 1nc | OBEA10 | OBEA01 | |
| KSE 3160 | 160 | - | 1no or 1nc | OA1G10 | OA3G01 | | BW325 K/TPN | 25 | - | 1no or 1nc | OBEA10 | OBEA01 | |
| KSE 3250 | 250 | - | 1no or 1nc | OBEA10 | OBEA01 | | BW325 L/TPN | 25 | - | 1no or 1nc | OBEA10 | OBEA01 | |
| KSE 3315 | 315 | - | 1no or 1nc | OBEA10 | OBEA01 | | BW325 TPN | 25 | - | 1no or 1nc | OBEA10 | OBEA01 | |
| KSE 3500 | 500 | - | 1no or 1nc | OBEA10 | OBEA01 | | BW325 W/TPN | 25 | - | 1no or 1nc | OBEA10 | OBEA01 | |
| KSE 3630 | 630 | - | 1no or 1nc | OBEA10 | OBEA01 | | BW325 Y/TPN | 25 | - | 1no or 1nc | OBEA10 | OBEA01 | |
| OS20PA1FUU3B | 20 | - | 1no+1nc | OA1G10 | OA3G01 | | BW425 TPSN | 25 | - | 1no or 1nc | OBEA10 | OBEA01 | |
| OS20PA1FUU4B | 20 | - | 1no+1nc | OA1G10 | OA3G01 | | BW425 Y/TPSN | 25 | - | 1no or 1nc | OBEA10 | OBEA01 | |
| OS00-32A00FCC3B | 32 | - | 1no+1nc | OA1G10 | OA3G01 | | BW625 TPN | 25 | - | 1no or 1nc | OBEA10 | OBEA01 | |
| OS00-32A00FCC4B | 32 | - | 1no+1nc | OA1G10 | OA3G01 | | OTP25B3M | 25 | - | 2no+2nc | OA1G10 | OA1G01 | |
| OS32GA3FCC3B | 32 | - | 1no+1nc | OA1G10 | OA3G01 | | OTP25B3P | 25 | - | 2no+2nc | OA1G10 | OA1G01 | |
| OS32GA3FCC4B | 32 | - | 1no+1nc | OA1G10 | OA3G01 | | OTP25B4M | 25 | - | 2no+2nc | OA1G10 | OA1G01 | |
| OS32PA1FUU3B | 32 | - | 1no+1nc | OA1G10 | OA3G01 | | OTP25B4P | 25 | - | 2no+2nc | OA1G10 | OA1G01 | |
| OS32PA1FUU4B | 32 | - | 1no+1nc | OA1G10 | OA3G01 | | OTP25B6M | 25 | - | 1no+1nc | OA1G10 | OA1G01 | |
| OS00-63A00FCC3B | 63 | - | 1no+1nc | OA1G10 | OA3G01 | | OTP25B6M | 25 | - | 2no | OA1G10 | - | OA7G10 |
| OS00-63A00FCC4B | 63 | - | 1no+1nc | OA1G10 | OA3G01 | | OTP25B6P | 25 | - | 1no+1nc | OA1G10 | OA1G01 | |
| OS63GA3FCC3B | 63 | - | 1no+1nc | OA1G10 | OA3G01 | | OTP25B6P | 25 | - | 2no | OA1G10 | - | OA7G10 |
| OS63GA3FCC4B | 63 | - | 1no+1nc | OA1G10 | OA3G01 | | OTP25BA3M | 25 | - | 2no+2nc | OA1G10 | OA1G01 | |
| OS00A00FCC3B | 100 | - | 1no+1nc | OA1G10 | OA3G01 | | OTP25BA3P | 25 | - | 2no+2nc | OA1G10 | OA1G01 | |
| OS00A00FCC4B | 100 | - | 1no+1nc | OA1G10 | OA3G01 | | OTP25BA4M | 25 | - | 2no+2nc | OA1G10 | OA1G01 | |
| OS100GA4FCC3B | 100 | - | 1no+1nc | OA1G10 | OA3G01 | | OTP25BA4P | 25 | - | 2no+2nc | OA1G10 | OA1G01 | |
| OS100GA4FCC4B | 100 | - | 1no+1nc | OA1G10 | OA3G01 | | OTP25BA6M | 25 | - | 1no+1nc | OA1G10 | OA1G01 | |
| OS00-160A00FCC3B | 160 | - | 1no+1nc | OA1G10 | OA3G01 | | OTP25BA6M | 25 | - | 2no | OA1G10 | - | |
| OS00-160A00FCC4B | 160 | - | 1no+1nc | OA1G10 | OA3G01 | | OTP25BA6P | 25 | - | 1no+1nc | OA1G10 | OA1G01 | |
| OS200BB2FCC3B | 200 | - | 3no+1nc | OA1G10 | OA3G01 | | OTP25BA6P | 25 | - | 2no | OA1G10 | - | |
| OS200BB2FCC4B | 200 | - | 3no+1nc | OA1G10 | OA3G01 | | OTP32B3M | 32 | - | 2no+2nc | OA1G10 | OA1G01 | |
| OS250D1FCC3B | 250 | - | 3no+1nc | OA1G10 | OA3G01 | | OTP32B3P | 32 | - | 2no+2nc | OA1G10 | OA1G01 | |
| OS250D1FCC4B | 250 | - | 3no+1nc | OA1G10 | OA3G01 | | OTP32B4M | 32 | - | 2no+2nc | OA1G10 | OA1G01 | |
| OS315BB3FCC3B | 315 | - | 3no+1nc | OA1G10 | OA3G01 | | OTP32B4P | 32 | - | 2no+2nc | OA1G10 | OA1G01 | |
| OS400BB4FCC3B | 400 | - | 3no+1nc | OA1G10 | OA3G01 | | OTP32B6M | 32 | - | 1no+1nc | OA1G10 | OA1G01 | |
| OS400D2FCC3B | 400 | - | 3no+1nc | OA1G10 | OA3G01 | | OTP32B6M | 32 | - | 2no | OA1G10 | - | |
| OS400D2FCC4B | 400 | - | 3no+1nc | OA1G10 | OA3G01 | | OTP32B6P | 32 | - | 1no+1nc | OA1G10 | OA1G01 | |
| BW316 TPN | 16 | - | 1no or 1nc | OBEA10 | OBEA01 | | OTP32B6P | 32 | - | 2no | OA1G10 | - | |
| OTP16B3M | 16 | - | 1no+1nc | OA1G10 | OA1G01 | | OTP32BA3M | 32 | - | 2no+2nc | OA1G10 | OA1G01 | |
| OTP16B3M25 | 16 | - | 1no+1nc | OA1G10 | OA1G01 | | OTP32BA3MS | 32 | - | 2no+2nc | OA1G10 | OA1G01 | |
| OTP16B3P | 16 | - | 1no+1nc | OA1G10 | OA1G01 | | OTP32BA3P | 32 | - | 2no+2nc | OA1G10 | OA1G01 | |
| OTP16B4M | 16 | - | 2no+2nc | OA1G10 | OA1G01 | | OTP32BA4M | 32 | - | 2no+2nc | OA1G10 | OA1G01 | |
| OTP16B4P | 16 | - | 2no+2nc | OA1G10 | OA1G01 | | OTP32BA4P | 32 | - | 2no+2nc | OA1G10 | OA1G01 | |
| OTP16B6M | 16 | - | 1no+1nc | OA1G10 | OA1G01 | | OTP32BA6M | 32 | - | 1no+1nc | OA1G10 | OA1G01 | |
| OTP16B6M | 16 | - | 2no | OA1G10 | - | OA7G10 | OTP32BA6M | 32 | - | 2no | OA1G10 | - | |

| Type | I[A] | Auxiliary contacts | | Auxiliary contact/ type to add | | |
|--------------|------|----------------------------------|---------|-----------------------------------|--------|----------------------|
| | | incl. in standard delivery | max. | NO | NC | NO+NC |
| OT45ELMM6BZ | 45 | - | 1no+1nc | OA1G10 | OA1G01 | |
| OT45ELMM6BZ | 45 | - | 2no | OA1G10 | - | OA7G10 |
| OTL45B3M | 45 | - | 2no+2nc | OA1G10 | OA1G01 | OA2G11 ¹⁾ |
| OTL45B4M | 45 | - | 2no+2nc | OA1G10 | OA1G01 | OA2G11 |
| OTL45B6B | 45 | - | 1no+1nc | OA1G10 | OA1G01 | |
| OTL45B6B | 45 | - | 2no | OA1G10 | - | OA7G10 |
| OTL45B6U | 45 | - | 1no+1nc | OA1G10 | OA1G01 | |
| OTL45B6U | 45 | - | 2no | OA1G10 | - | OA7G10 |
| OTL45BA3M | 45 | - | 2no+2nc | OA1G10 | OA1G01 | OA2G11 ¹⁾ |
| OTL45BA4M | 45 | - | 2no+2nc | OA1G10 | OA1G01 | OA2G11 |
| OTL45BA6B | 45 | - | 1no+1nc | OA1G10 | OA1G01 | |
| OTL45BA6B | 45 | - | 2no | OA1G10 | - | OA7G10 |
| OTL45BA6U | 45 | - | 1no+1nc | OA1G10 | OA1G01 | |
| OTL45BA6U | 45 | - | 2no | OA1G10 | - | OA7G10 |
| OT63ELMM3B | 63 | - | 2no+2nc | OA1G10 | OA1G01 | OA2G11 ¹⁾ |
| OT63ELMM3BZ | 63 | - | 2no+2nc | OA1G10 | OA1G01 | OA2G11 ¹⁾ |
| OT63ELMM4B | 63 | - | 2no+2nc | OA1G10 | OA1G01 | OA2G11 |
| OT63ELMM4BZ | 63 | - | 2no+2nc | OA1G10 | OA1G01 | OA2G11 |
| OT63ELMM6BZ | 63 | - | 1no+1nc | OA1G10 | OA1G01 | |
| OT63ELMM6BZ | 63 | - | 2no | OA1G10 | - | OA7G10 |
| OTL63B3M | 63 | - | 2no+2nc | OA1G10 | OA1G01 | OA2G11 ¹⁾ |
| OTL63B4M | 63 | - | 2no+2nc | OA1G10 | OA1G01 | OA2G11 |
| OTL63B6B | 63 | - | 1no+1nc | OA1G10 | OA1G01 | |
| OTL63B6B | 63 | - | 2no | OA1G10 | - | OA7G10 |
| OTL63B6U | 63 | - | 1no+1nc | OA1G10 | OA1G01 | |
| OTL63B6U | 63 | - | 2no | OA1G10 | - | OA7G10 |
| OTL63BA3M | 63 | - | 2no+2nc | OA1G10 | OA1G01 | OA2G11 ¹⁾ |
| OTL63BA4M | 63 | - | 2no+2nc | OA1G10 | OA1G01 | OA2G11 |
| OTL63BA6B | 63 | - | 1no+1nc | OA1G10 | OA1G01 | |
| OTL63BA6B | 63 | - | 2no | OA1G10 | - | OA7G10 |
| OTL63BA6U | 63 | - | 1no+1nc | OA1G10 | OA1G01 | |
| OTL63BA6U | 63 | - | 2no | OA1G10 | - | OA7G10 |
| OTL100B3B | 100 | - | 2no+2nc | OA1G10 | OA1G01 | OA2G11 ¹⁾ |
| OTL100B3U | 100 | - | 2no+2nc | OA1G10 | OA1G01 | OA2G11 ¹⁾ |
| OTL100B4B | 100 | - | 2no+2nc | OA1G10 | OA1G01 | OA2G11 |
| OTL100B4U | 100 | - | 2no+2nc | OA1G10 | OA1G01 | OA2G11 |
| OTL100BA3B | 100 | - | 2no+2nc | OA1G10 | OA1G01 | OA2G11 ¹⁾ |
| OTL100BA3U | 100 | - | 2no+2nc | OA1G10 | OA1G01 | OA2G11 ¹⁾ |
| OTL100BA4B | 100 | - | 2no+2nc | OA1G10 | OA1G01 | OA2G11 |
| OTL100BA4U | 100 | - | 2no+2nc | OA1G10 | OA1G01 | OA2G11 |
| OT125ALAA3B | 125 | - | 2no+2nc | OBEA10 | OBEA01 | |
| OT125ALAA3BZ | 125 | - | 2no+2nc | OBEA10 | OBEA01 | |
| OT125ALAA4B | 125 | - | 2no+2nc | OBEA10 | OBEA01 | |
| OT125ALAA4BZ | 125 | - | 2no+2nc | OBEA10 | OBEA01 | |
| OT125ALAA6BZ | 125 | - | 2no+2nc | OBEA10 | OBEA01 | |
| OT125ALUU3BZ | 125 | - | 2no+2nc | OBEA10 | OBEA01 | |
| OT125ALUU4BZ | 125 | - | 2no+2nc | OBEA10 | OBEA01 | |
| OT125ALUU6BZ | 125 | - | 2no+2nc | OBEA10 | OBEA01 | |
| OT125ELBB3B | 125 | - | 2no+2nc | OA1G10 | OA1G01 | |
| OT125ELBB3BZ | 125 | - | 2no+2nc | OA1G10 | OA1G01 | |
| OT125ELBB4B | 125 | - | 2no+2nc | OA1G10 | OA1G01 | |
| OT125ELBB4BZ | 125 | - | 2no+2nc | OA1G10 | OA1G01 | |
| OTL125B3B | 125 | - | 2no+2nc | OA1G10 | OA1G01 | OA2G11 ¹⁾ |
| OTL125B3U | 125 | - | 2no+2nc | OA1G10 | OA1G01 | OA2G11 ¹⁾ |
| OTL125B4B | 125 | - | 2no+2nc | OA1G10 | OA1G01 | OA2G11 |
| OTL125B4U | 125 | - | 2no+2nc | OA1G10 | OA1G01 | OA2G11 |
| OTL125BA3B | 125 | - | 2no+2nc | OA1G10 | OA1G01 | OA2G11 ¹⁾ |
| OTL125BA3U | 125 | - | 2no+2nc | OA1G10 | OA1G01 | OA2G11 ¹⁾ |
| OTL125BA4B | 125 | - | 2no+2nc | OA1G10 | OA1G01 | OA2G11 |
| OTL125BA4U | 125 | - | 2no+2nc | OA1G10 | OA1G01 | OA2G11 |
| OT160ELAA3B | 160 | - | 2no+2nc | OBEA10 | OBEA01 | |
| OT160ELAA3BZ | 160 | - | 2no+2nc | OBEA10 | OBEA01 | |
| OT160ELAA4B | 160 | - | 2no+2nc | OBEA10 | OBEA01 | |
| OT160ELAA4BZ | 160 | - | 2no+2nc | OBEA10 | OBEA01 | |
| OT160ELAA6BZ | 160 | - | 2no+2nc | OBEA10 | OBEA01 | |
| OT160ELUU3BZ | 160 | - | 2no+2nc | OBEA10 | OBEA01 | |
| OT160ELUU4BZ | 160 | - | 2no+2nc | OBEA10 | OBEA01 | |
| OT160ELUU6BZ | 160 | - | 2no+2nc | OBEA10 | OBEA01 | |

| Type | I[A] | Auxiliary contacts | | Auxiliary contact/ type to add | | |
|---------------|------|----------------------------------|---------|-----------------------------------|--------|-------|
| | | incl. in standard delivery | max. | NO | NC | NO+NC |
| OT200KLA4B | 200 | - | 2no+2nc | OA1G10 | OA3G01 | |
| OT200KLA4BZ | 200 | - | 2no+2nc | OA1G10 | OA3G01 | |
| OT200KLA6BZ | 200 | - | 2no+2nc | OA1G10 | OA3G01 | |
| OT200KLUU3BZ | 200 | - | 2no+2nc | OA1G10 | OA3G01 | |
| OT200KLUU4BZ | 200 | - | 2no+2nc | OA1G10 | OA3G01 | |
| OT200KLUU6BZ | 200 | - | 2no+2nc | OA1G10 | OA3G01 | |
| OT250KLA4B | 250 | - | 2no+2nc | OA1G10 | OA3G01 | |
| OT250KLA4BZ | 250 | - | 2no+2nc | OA1G10 | OA3G01 | |
| OT250KLA6BZ | 250 | - | 2no+2nc | OA1G10 | OA3G01 | |
| OT250KLUU3BZ | 250 | - | 2no+2nc | OA1G10 | OA3G01 | |
| OT250KLUU4BZ | 250 | - | 2no+2nc | OA1G10 | OA3G01 | |
| OT250KLUU6BZ | 250 | - | 2no+2nc | OA1G10 | OA3G01 | |
| OT315KLA4B | 315 | - | 2no+2nc | OA1G10 | OA3G01 | |
| OT315KLA4BZ | 315 | - | 2no+2nc | OA1G10 | OA3G01 | |
| OT315KLA6BZ | 315 | - | 2no+2nc | OA1G10 | OA3G01 | |
| OT315KLUU3BZ | 315 | - | 2no+2nc | OA1G10 | OA3G01 | |
| OT315KLUU4BZ | 315 | - | 2no+2nc | OA1G10 | OA3G01 | |
| OT315KLUU6BZ | 315 | - | 2no+2nc | OA1G10 | OA3G01 | |
| OT400DLAA3B | 400 | - | 2no+2nc | OA1G10 | OA3G01 | |
| OT400DLAA3BZ | 400 | - | 2no+2nc | OA1G10 | OA3G01 | |
| OT400DLAA4B | 400 | - | 2no+2nc | OA1G10 | OA3G01 | |
| OT400DLAA4BZ | 400 | - | 2no+2nc | OA1G10 | OA3G01 | |
| OT400DLAA6BZ | 400 | - | 2no+2nc | OA1G10 | OA3G01 | |
| OT400DLUU3BZ | 400 | - | 2no+2nc | OA1G10 | OA3G01 | |
| OT400DLUU4BZ | 400 | - | 2no+2nc | OA1G10 | OA3G01 | |
| OT400DLUU6BZ | 400 | - | 2no+2nc | OA1G10 | OA3G01 | |
| OT630KLA4B | 630 | - | 2no+2nc | OA1G10 | OA3G01 | |
| OT630KLA4BZ | 630 | - | 2no+2nc | OA1G10 | OA3G01 | |
| OT630KLA6BZ | 630 | - | 2no+2nc | OA1G10 | OA3G01 | |
| OT630KLUU3BZ | 630 | - | 2no+2nc | OA1G10 | OA3G01 | |
| OT630KLUU4BZ | 630 | - | 2no+2nc | OA1G10 | OA3G01 | |
| OT630KLUU6BZ | 630 | - | 2no+2nc | OA1G10 | OA3G01 | |
| OT800KLA4B | 800 | - | 2no+2nc | OA1G10 | OA3G01 | |
| OT800KLA4BZ | 800 | - | 2no+2nc | OA1G10 | OA3G01 | |
| OT800KLA6BZ | 800 | - | 2no+2nc | OA1G10 | OA3G01 | |
| OT800KLUU3BZ | 800 | - | 2no+2nc | OA1G10 | OA3G01 | |
| OT800KLUU4BZ | 800 | - | 2no+2nc | OA1G10 | OA3G01 | |
| OT800KLUU6BZ | 800 | - | 2no+2nc | OA1G10 | OA3G01 | |
| OT1000KLA4B | 1000 | - | 2no+2nc | OA1G10 | OA3G01 | |
| OT1000KLA4BZ | 1000 | - | 2no+2nc | OA1G10 | OA3G01 | |
| OT1000KLUU3BZ | 1000 | - | 2no+2nc | OA1G10 | OA3G01 | |
| OT1250KLA4B | 1250 | - | 2no+2nc | OA1G10 | OA3G01 | |
| OT1250KLA4BZ | 1250 | - | 2no+2nc | OA1G10 | OA3G01 | |
| OT1250KLUU3BZ | 1250 | - | 2no+2nc | OA1G10 | OA3G01 | |
| OT1600KLA4B | 1600 | - | 2no+2nc | OA1G10 | OA3G01 | |
| OT1600KLA4BZ | 1600 | - | 2no+2nc | OA1G10 | OA3G01 | |
| OT1600KLA6BZ | 1600 | - | 2no+2nc | OA1G10 | OA3G01 | |
| OT1600KLUU3BZ | 1600 | - | 2no+2nc | OA1G10 | OA3G01 | |

¹⁾ OA2G11 is mountable on the switch side without neutral block.

Index

| Type | Order number | Page | Description | Type | Order number | Page | Description |
|---------------|-----------------|------|--------------------------------------|-------------------|-----------------|------|---------------------------------------|
| BW225 DP | 2CMA142400R1000 | 12 | Plastic enclosed switch-disconnector | ESKV16 | 1SCA022715R5930 | 56 | Compression gland, plastic |
| BW225 W/DP | 2CMA142401R1000 | 12 | Plastic enclosed switch-disconnector | ESKV20 | 1SCA022715R6070 | 56 | Compression gland, plastic |
| BW240 DP | 2CMA142407R1000 | 12 | Plastic enclosed switch-disconnector | ESKV25 | 1SCA022715R6150 | 56 | Compression gland, plastic |
| BW316 TPN | 2CMA142447R1000 | 13 | Plastic enclosed switch-disconnector | ESKV32 | 1SCA022715R6230 | 56 | Compression gland, plastic |
| BW325 K/TPN | 2CMA142443R1000 | 13 | Plastic enclosed switch-disconnector | ESKV40 | 1SCA022715R6310 | 56 | Compression gland, plastic |
| BW325 L/TPN | 2CMA142404R1000 | 13 | Plastic enclosed switch-disconnector | ESKV50 | 1SCA022715R6400 | 56 | Compression gland, plastic |
| BW325 TPN | 2CMA142403R1000 | 13 | Plastic enclosed switch-disconnector | ESKV63 | 1SCA022715R6580 | 56 | Compression gland, plastic |
| BW325 W/TPN | 2CMA142402R1000 | 13 | Plastic enclosed switch-disconnector | FGNSUM6X | 1SCA010234R6620 | 55 | Nut for cover plate |
| BW325 Y/TPN | 2CMA142441R1000 | 18 | Plastic enclosed switch-disconnector | KEM50/63 | 1SCA114809R1001 | 57 | Adapter for M-thread, plastic |
| BW340 TPN | 2CMA142408R1000 | 13 | Plastic enclosed switch-disconnector | KIG-1 | 1SEH650052R6711 | 54 | Cable inlet |
| BW340 Y/TPN | 2CMA142445R1000 | 18 | Plastic enclosed switch-disconnector | KIG-2 | 1SEH650052R6712 | 54 | Cable inlet |
| BW425 TPSN | 2CMA142405R1000 | 14 | Plastic enclosed switch-disconnector | KIG-221-1 | 1SEH650052R6713 | 54 | C-flange |
| BW425 Y/TPSN | 2CMA142444R1000 | 18 | Plastic enclosed switch-disconnector | KIG-221-2 | 1SEH650052R6714 | 54 | C-flange |
| BW440 TPN | 2CMA142409R1000 | 14 | Plastic enclosed switch-disconnector | KIM13-1 | 1SEH655267R2050 | 54 | B-flange |
| BW440 Y/TPSN | 2CMA142446R1000 | 18 | Plastic enclosed switch-disconnector | KIM13-2 | 1SEH655267R2060 | 54 | B-flange |
| BW625 TPN | 2CMA142406R1000 | 14 | Plastic enclosed switch-disconnector | KRM16/12 | 1SCA022749R6090 | 57 | Adapter for M-thread, plastic |
| BW640 TPN | 2CMA142410R1000 | 14 | Plastic enclosed switch-disconnector | KRM20/12 | 1SCA022749R6170 | 57 | Adapter for M-thread, plastic |
| EADR12 | 1SCA114804R1001 | 57 | Gasket | KRM25/12 | 1SCA022749R6990 | 57 | Adapter for M-thread, plastic |
| EADR16 | 1SCA022749R6410 | 57 | Gasket | KSE225 DP | 2CMA142411R1000 | 36 | Aluminum enclosed switch-disconnector |
| EADR20 | 1SCA022749R6500 | 57 | Gasket | KSE240 DP | 2CMA142414R1000 | 36 | Aluminum enclosed switch-disconnector |
| EADR25 | 1SCA022749R6680 | 57 | Gasket | KSE3125 TPN | 2CMA144588R1000 | 37 | Aluminum enclosed switch-disconnector |
| EADR32 | 1SCA101165R1001 | 57 | Gasket | KSE3160 | 2CMA144712R1000 | 38 | Aluminum enclosed switch-disconnector |
| EADR50 | 1SCA104353R1001 | 57 | Gasket | KSE325 TPN | 2CMA142412R1000 | 36 | Aluminum enclosed switch-disconnector |
| EMMU12 | 1SCA022722R1910 | 56 | Locking nut, metallic | KSE3250 | 2CMA144713R1000 | 38 | Aluminum enclosed switch-disconnector |
| EMMU16 | 1SCA022722R2040 | 56 | Locking nut, metallic | KSE3315 | 2CMA144714R1000 | 38 | Aluminum enclosed switch-disconnector |
| EMMU20 | 1SCA022722R2120 | 56 | Locking nut, metallic | KSE340 TPN | 2CMA142415R1000 | 36 | Aluminum enclosed switch-disconnector |
| EMMU25 | 1SCA022722R2210 | 56 | Locking nut, metallic | KSE3500 | 2CMA144715R1000 | 38 | Aluminum enclosed switch-disconnector |
| EMMU32 | 1SCA022722R2390 | 56 | Locking nut, metallic | KSE363 D/TPN | 2CMA144581R1000 | 37 | Aluminum enclosed switch-disconnector |
| EMMU40 | 1SCA022722R2470 | 56 | Locking nut, metallic | KSE363 TPN | 2CMA144580R1000 | 37 | Aluminum enclosed switch-disconnector |
| EMMU50 | 1SCA022722R2550 | 56 | Locking nut, metallic | KSE3630 | 2CMA144716R1000 | 38 | Aluminum enclosed switch-disconnector |
| EMMU63 | 1SCA022722R2630 | 56 | Locking nut, metallic | KSE380 TPN | 2CMA144583R1000 | 37 | Aluminum enclosed switch-disconnector |
| EMSKV12/5 | 1SCA022722R2710 | 56 | Compression gland, metallic | KSE425 TPSN | 2CMA142413R1000 | 36 | Aluminum enclosed switch-disconnector |
| EMSKV16/5 | 1SCA022722R2800 | 56 | Compression gland, metallic | KSE440 TPSN | 2CMA142416R1000 | 36 | Aluminum enclosed switch-disconnector |
| EMSKV20/6 | 1SCA022722R2980 | 56 | Compression gland, metallic | KSE463 TPSN | 2CMA144582R1000 | 37 | Aluminum enclosed switch-disconnector |
| EMSKV25/7 | 1SCA022722R3010 | 56 | Compression gland, metallic | KSE480 TPSN | 2CMA144584R1000 | 37 | Aluminum enclosed switch-disconnector |
| EMSKV32/8 | 1SCA022722R3100 | 56 | Compression gland, metallic | KSF225 DP | 2CMA142435R1000 | 39 | Aluminum enclosed fireman's switch |
| EMSKV40/8 | 1SCA022722R3280 | 56 | Compression gland, metallic | KSF325 TPN | 2CMA142436R1000 | 39 | Aluminum enclosed fireman's switch |
| EMSKV50/9 | 1SCA022722R3360 | 56 | Compression gland, metallic | KSF325 TPN NO | 2CMA142442R1000 | 39 | Aluminum enclosed fireman's switch |
| EMSKV63/10 | 1SCA022722R3440 | 56 | Compression gland, metallic | KSF340 TPN | 2CMA142438R1000 | 39 | Aluminum enclosed fireman's switch |
| EMUG12 | 1SCA022715R8280 | 56 | Locking nut, plastic | KSF425 TPSN | 2CMA142437R1000 | 39 | Aluminum enclosed fireman's switch |
| EMUG16 | 1SCA022715R8360 | 56 | Locking nut, plastic | KSF440 TPSN | 2CMA142439R1000 | 39 | Aluminum enclosed fireman's switch |
| EMUG20 | 1SCA022715R8440 | 56 | Locking nut, plastic | L6 | 2CMA144539R1000 | 55 | Shackle for up to 6 padlocks |
| EMUG25 | 1SCA022715R8520 | 56 | Locking nut, plastic | LBFEU | 1SCA022713R6040 | 54 | B-flange |
| EMUG32 | 1SCA022715R8610 | 56 | Locking nut, plastic | LBSI2ALM20 | 1SCA022713R6210 | 54 | B-flange |
| EMUG40 | 1SCA022715R8790 | 56 | Locking nut, plastic | LBSI2ALM32+1ALM25 | 1SCA022722R3520 | 54 | B-flange |
| EMUG50 | 1SCA022715R8870 | 56 | Locking nut, plastic | LBSI2ALM40 | 1SCA022713R6630 | 54 | B-flange |
| EMUG63 | 1SCA022715R8950 | 56 | Locking nut, plastic | LBSI3ALM25+1TM25 | 1SCA022722R3610 | 54 | B-flange |
| EPN50M50/M32 | 1SCA114803R1001 | 57 | Adapter for M-thread, plastic | LBSI3ALM32 | 1SCA022713R6550 | 54 | B-flange |
| EPN50M50/M40 | 1SCA104355R1001 | 57 | Adapter for M-thread, plastic | LBSI4ALM25 | 1SCA022713R6390 | 54 | B-flange |
| EPN650M25/M32 | 1SCA101159R1001 | 57 | Adapter for M-thread, plastic | LBSIU | 1SCA022713R6120 | 54 | B-flange |
| EPN650M32/M40 | 1SCA101160R1001 | 57 | Adapter for M-thread, plastic | OA1G01 | 1SCA022353R4890 | 50 | Auxiliary contact |
| EPN720M20/16 | 1SCA114807R1001 | 57 | Adapter for M-thread, metallic | OA1G10 | 1SCA022353R4970 | 50 | Auxiliary contact |
| EPN720M20/M12 | 1SCA114806R1001 | 57 | Adapter for M-thread, metallic | OA1G10 | 1SCA022353R4970 | 50 | Auxiliary contact |
| EPN720M25/M20 | 1SCA109748R1001 | 57 | Adapter for M-thread, metallic | OA2G11 | 1SCA022379R8100 | 50 | Auxiliary contact |
| EPN720M32/M20 | 1SCA109749R1001 | 57 | Adapter for M-thread, metallic | OA3G01 | 1SCA022456R7410 | 50 | Auxiliary contact |
| EPN720M40/M25 | 1SCA114808R1001 | 57 | Adapter for M-thread, metallic | OA7G10 | 1SCA022673R1140 | 50 | Auxiliary contact |
| EPN740M32/M40 | 1SCA114810R1001 | 57 | Adapter for M-thread, metallic | OBEA01 | 1SCA022190R3260 | 50 | Auxiliary contact |
| ESKV12 | 1SCA022715R5850 | 56 | Compression gland, plastic | OBEA01 | 1SCA022190R3260 | 50 | Auxiliary contact |

| Type | Order number | Page | Description | Type | Order number | Page | Description |
|-------------------------|-----------------|------|---|----------------|-----------------|------|--|
| OBEA01AU | 1SCA022185R3730 | 50 | Auxiliary contact | OS200BB2FCC3B | 1SCA022280R9110 | 41 | Plastic enclosed switch fuse |
| OBEA10 | 1SCA022190R3000 | 50 | Auxiliary contact | OS200BB2FCC4B | 1SCA022280R9700 | 41 | Plastic enclosed switch fuse |
| OBEA10 | 1SCA022190R3000 | 50 | Auxiliary contact | OS200BB2LUU2FZ | 1SCA022320R8310 | 43 | Steel sheet enclosed switch fuse |
| OBEA10AU | 1SCA022185R3310 | 50 | Auxiliary contact | OS200BB2LUU3FZ | 1SCA022320R9630 | 45 | Steel sheet enclosed switch fuse |
| OEZXB11L | 1SCA022560R4920 | 55 | I/B-flange | OS200BB2LUU4FZ | 1SCA022320R6530 | 45 | Steel sheet enclosed switch fuse |
| OEZXB12L | 1SCA022560R5140 | 55 | I/B-flange | OS20PA1FUU3B | 1SCA022280R9290 | 41 | Plastic enclosed switch fuse |
| OEZXC 0 | 1SCA022277R6420 | 54 | C-flange cover | OS20PA1FUU4B | 1SCA022280R9880 | 41 | Plastic enclosed switch fuse |
| OEZXC11L | 1SCA022560R5570 | 55 | II/C-flange | OS20PA1LMM3B | 1SCA022281R1510 | 44 | Steel sheet enclosed switch fuse |
| OEZXC12L | 1SCA022560R5730 | 55 | II/C-flange | OS20PA1LMM4B | 1SCA022281R2080 | 44 | Steel sheet enclosed switch fuse |
| OEZXC1R | 1SCA022281R3560 | 54 | Ring-flange adapters for C-flange entry | OS20PA1LUU3FZ | 1SCA022320R8400 | 45 | Steel sheet enclosed switch fuse |
| OEZXC2R | 1SCA022281R3720 | 54 | Ring-flange adapters for C-flange entry | OS20PA1LUU4FZ | 1SCA022321R0640 | 45 | Steel sheet enclosed switch fuse |
| OEZXP120 ¹⁾ | 1SCA022277R2350 | 52 | Cable entry | OS250D1FCC3B | 1SCA022315R3070 | 42 | Plastic enclosed switch fuse |
| OEZXP120C ¹⁾ | 1SCA022338R5360 | 52 | Cable entry | OS250D1FCC4B | 1SCA022315R3230 | 42 | Plastic enclosed switch fuse |
| OEZXP240 | 1SCA022277R2780 | 52 | Cable entry | OS250D1LAA3B | 1SCA022325R3960 | 46 | Steel sheet enclosed switch fuse |
| OEZXP240C | 1SCA022338R5520 | 52 | Cable entry | OS250D1LAA3BZ | 1SCA022325R4180 | 46 | Steel sheet enclosed switch fuse |
| OEZXP24R | 1SCA022277R3160 | 52 | Cable entry | OS250D1LAA4B | 1SCA022320R6880 | 47 | Steel sheet enclosed switch fuse |
| OEZXP280 | 1SCA022277R3910 | 52 | Cable entry | OS250D1LAA4BZ | 1SCA022320R7000 | 47 | Steel sheet enclosed switch fuse |
| OEZXP280C | 1SCA022338R5950 | 52 | Cable entry | OS315BB3FCC3B | 1SCA022281R0380 | 41 | Plastic enclosed switch fuse |
| OEZXP28R | 1SCA022277R4560 | 52 | Cable entry | OS315BB3LUU2FZ | 1SCA022320R8580 | 43 | Steel sheet enclosed switch fuse |
| OEZXP340 | 1SCA022277R3320 | 52 | Cable entry | OS315BB3LUU3FZ | 1SCA022320R9800 | 45 | Steel sheet enclosed switch fuse |
| OEZXP340C | 1SCA022338R5790 | 52 | Cable entry | OS315BB3LUU4FZ | 1SCA022320R6700 | 45 | Steel sheet enclosed switch fuse |
| OEZXP34R | 1SCA022277R3750 | 52 | Cable entry | OS32GA3FCC3B | 1SCA022281R1600 | 41 | Plastic enclosed switch fuse |
| OEZXP380 | 1SCA022277R4720 | 52 | Cable entry | OS32GA3FCC4B | 1SCA022280R6190 | 41 | Plastic enclosed switch fuse |
| OEZXP380C | 1SCA022338R6170 | 52 | Cable entry | OS32GA3LUU2FZ | 1SCA022320R7510 | 43 | Steel sheet enclosed switch fuse |
| OEZXP38R | 1SCA022277R5020 | 52 | Cable entry | OS32GA3LUU3FZ | 1SCA022320R8820 | 45 | Steel sheet enclosed switch fuse |
| OEZXR020 | 1SCA022656R8130 | 53 | Ring-flange cover | OS32GA3LUU4FZ | 1SCA022321R1020 | 45 | Steel sheet enclosed switch fuse |
| OEZXR023 | 1SCA022277R5290 | 53 | Ring-flange cover | OS32PA1FUU3B | 1SCA022281R0460 | 41 | Plastic enclosed switch fuse |
| OEZXR025 | 1SCA022656R8120 | 53 | Ring-flange cover | OS32PA1FUU4B | 1SCA022281R1010 | 41 | Plastic enclosed switch fuse |
| OEZXR037 | 1SCA022277R5450 | 53 | Ring-flange cover | OS32PA1LMM3B | 1SCA022281R2670 | 44 | Steel sheet enclosed switch fuse |
| OEZXR040 | 1SCA022656R8300 | 53 | Ring-flange cover | OS32PA1LMM4B | 1SCA022281R3210 | 44 | Steel sheet enclosed switch fuse |
| OEZXR134 | 1SCA022277R5610 | 53 | Ring-flange | OS32PA1LUU3FZ | 1SCA022320R8660 | 45 | Steel sheet enclosed switch fuse |
| OEZXR143 | 1SCA022277R5880 | 53 | Ring-flange | OS32PA1LUU4FZ | 1SCA022321R0810 | 45 | Steel sheet enclosed switch fuse |
| OEZXR150 | 1SCA022277R6000 | 53 | Ring-flange | OS400BB4FCC3B | 1SCA022302R6630 | 41 | Plastic enclosed switch fuse |
| OEZXR158 | 1SCA022277R6260 | 53 | Ring-flange | OS400BB4LUU2FZ | 1SCA022320R8740 | 43 | Steel sheet enclosed switch fuse |
| OEZXR158R | 1SCA022350R3910 | 53 | Plate extension for ring-flange | OS400BB4LUU3FZ | 1SCA022321R0050 | 45 | Steel sheet enclosed switch fuse |
| OEZXX2 | 1SCA022281R5340 | 52 | Cable entry | OS400BB4LUU4FZ | 1SCA022320R6960 | 45 | Steel sheet enclosed switch fuse |
| OS00-160A00FCC3B | 1SCA022315R2690 | 42 | Plastic enclosed switch fuse | OS400D2FCC3B | 1SCA022315R3400 | 42 | Plastic enclosed switch fuse |
| OS00-160A00FCC4B | 1SCA022315R2850 | 42 | Plastic enclosed switch fuse | OS400D2FCC4B | 1SCA022628R6070 | 42 | Plastic enclosed switch fuse |
| OS00-160A00LAA3B | 1SCA022325R3530 | 46 | Steel sheet enclosed switch fuse | OS400D2LAA3B | 1SCA022292R9860 | 46 | Steel sheet enclosed switch fuse |
| OS00-160A00LAA3BZ | 1SCA022325R3700 | 46 | Steel sheet enclosed switch fuse | OS400D2LAA3BZ | 1SCA022325R4340 | 46 | Steel sheet enclosed switch fuse |
| OS00-160A00LAA4B | 1SCA022320R6450 | 47 | Steel sheet enclosed switch fuse | OS400D2LAA4B | 1SCA022320R7260 | 47 | Steel sheet enclosed switch fuse |
| OS00-160A00LAA4BZ | 1SCA022320R6610 | 47 | Steel sheet enclosed switch fuse | OS400D2LAA4BZ | 1SCA022320R7420 | 47 | Steel sheet enclosed switch fuse |
| OS00-32A00FCC3B | 1SCA022315R1450 | 42 | Plastic enclosed switch fuse | OS630BC2LUU2FZ | 1SCA022320R8910 | 43 | Steel sheet enclosed switch fuse |
| OS00-32A00FCC4B | 1SCA022315R1880 | 42 | Plastic enclosed switch fuse | OS630BC2LUU3FZ | 1SCA022321R0210 | 45 | Steel sheet enclosed switch fuse |
| OS00-32A00LAA3B | 1SCA022325R2560 | 46 | Steel sheet enclosed switch fuse | OS630BC2LUU4FZ | 1SCA022320R7180 | 45 | Steel sheet enclosed switch fuse |
| OS00-32A00LAA3BZ | 1SCA022325R2720 | 46 | Steel sheet enclosed switch fuse | OS630D3LAA3B | 1SCA022325R4510 | 46 | Steel sheet enclosed switch fuse |
| OS00-32A00LAA4B | 1SCA022325R5310 | 47 | Steel sheet enclosed switch fuse | OS630D3LAA3BZ | 1SCA022325R4770 | 46 | Steel sheet enclosed switch fuse |
| OS00-32A00LAA4BZ | 1SCA022325R5740 | 47 | Steel sheet enclosed switch fuse | OS630D3LAA4B | 1SCA022320R7690 | 47 | Steel sheet enclosed switch fuse |
| OS00-63A00FCC3B | 1SCA022315R1610 | 42 | Plastic enclosed switch fuse | OS630D3LAA4BZ | 1SCA022320R7850 | 47 | Steel sheet enclosed switch fuse |
| OS00-63A00FCC4B | 1SCA022315R2000 | 42 | Plastic enclosed switch fuse | OS63GA3FCC3B | 1SCA022280R6780 | 41 | Plastic enclosed switch fuse |
| OS00-63A00LAA3B | 1SCA022292R9600 | 46 | Steel sheet enclosed switch fuse | OS63GA3FCC4B | 1SCA022280R7320 | 41 | Plastic enclosed switch fuse |
| OS00-63A00LAA3BZ | 1SCA022325R2990 | 46 | Steel sheet enclosed switch fuse | OS63GA3LUU2FZ | 1SCA022320R7770 | 43 | Steel sheet enclosed switch fuse |
| OS00-63A00LAA4B | 1SCA022325R5910 | 47 | Steel sheet enclosed switch fuse | OS63GA3LUU3FZ | 1SCA022320R9040 | 45 | Steel sheet enclosed switch fuse |
| OS00-63A00LAA4BZ | 1SCA022320R5810 | 47 | Steel sheet enclosed switch fuse | OS63GA3LUU4FZ | 1SCA022320R5990 | 45 | Steel sheet enclosed switch fuse |
| OS00A00FCC3B | 1SCA022315R2260 | 42 | Plastic enclosed switch fuse | OS800BC3LUU2FZ | 1SCA022320R9120 | 43 | Steel sheet enclosed switch fuse |
| OS00A00FCC4B | 1SCA022315R2420 | 42 | Plastic enclosed switch fuse | OS800BC3LUU3FZ | 1SCA022321R0480 | 45 | Steel sheet enclosed switch fuse |
| OS00A00LAA3B | 1SCA022325R3110 | 46 | Steel sheet enclosed switch fuse | OS800BC3LUU4FZ | 1SCA022320R7340 | 45 | Steel sheet enclosed switch fuse |
| OS00A00LAA3BZ | 1SCA022325R3370 | 46 | Steel sheet enclosed switch fuse | OS800D3LAA3B | 1SCA022325R4930 | 46 | Steel sheet enclosed switch fuse |
| OS00A00LAA4B | 1SCA022320R6020 | 47 | Steel sheet enclosed switch fuse | OS800D3LAA3BZ | 1SCA022325R5150 | 46 | Steel sheet enclosed switch fuse |
| OS00A00LAA4BZ | 1SCA022320R6290 | 47 | Steel sheet enclosed switch fuse | OS800D3LAA4B | 1SCA022320R8070 | 47 | Steel sheet enclosed switch fuse |
| OS100GA4FCC3B | 1SCA022280R8560 | 41 | Plastic enclosed switch fuse | OS800D3LAA4BZ | 1SCA022320R8230 | 47 | Steel sheet enclosed switch fuse |
| OS100GA4FCC4B | 1SCA022280R7910 | 41 | Plastic enclosed switch fuse | OT1000KLA4B | 1SCA022370R3830 | 28 | Steel sheet enclosed switch-disconnector |
| OS100GA4LUU2FZ | 1SCA022320R7930 | 43 | Steel sheet enclosed switch fuse | OT1000KLA4BZ | 1SCA022569R2870 | 24 | Steel sheet enclosed switch-disconnector |
| OS100GA4LUU3FZ | 1SCA022320R9210 | 45 | Steel sheet enclosed switch fuse | OT1000KLA4B | 1SCA022437R9760 | 29 | Steel sheet enclosed switch-disconnector |
| OS100GA4LUU4FZ | 1SCA022320R6110 | 45 | Steel sheet enclosed switch fuse | OT1000KLA4BZ | 1SCA022569R4220 | 26 | Steel sheet enclosed switch-disconnector |
| OS160BB2LUU2FZ | 1SCA022320R8150 | 43 | Steel sheet enclosed switch fuse | OT1000KLUU3BZ | 1SCA022750R1780 | 24 | Steel sheet enclosed switch-disconnector |
| OS160BB2LUU3FZ | 1SCA022320R9470 | 45 | Steel sheet enclosed switch fuse | OT1250KLA4B | 1SCA022350R0640 | 28 | Steel sheet enclosed switch-disconnector |
| OS160BB2LUU4FZ | 1SCA022320R6370 | 45 | Steel sheet enclosed switch fuse | OT1250KLA4BZ | 1SCA022569R4310 | 24 | Steel sheet enclosed switch-disconnector |
| | | | | OT1250KLA4B | 1SCA022437R9480 | 29 | Steel sheet enclosed switch-disconnector |

| Type | Order number | Page | Description | Type | Order number | Page | Description |
|---------------|-----------------|------|--|-------------|-----------------|------|--------------------------------------|
| OT800KFCC3B | 1SCA022303R0310 | 15 | Plastic enclosed switch-disconnector | OTP125B4U | 1SCA022401R5300 | 16 | Plastic enclosed switch-disconnector |
| OT800KFCC3BA | 1SCA022834R0450 | 19 | Plastic enclosed switch-disconnector | OTP125B6B | 1SCA022401R6610 | 17 | Plastic enclosed switch-disconnector |
| OT800KFCC4B | 1SCA022609R5560 | 16 | Plastic enclosed switch-disconnector | OTP125B6M | 1SCA022812R7340 | 17 | Plastic enclosed switch-disconnector |
| OT800KFCC4BA | 1SCA022834R1180 | 20 | Plastic enclosed switch-disconnector | OTP125B6U | 1SCA022401R6700 | 17 | Plastic enclosed switch-disconnector |
| OT800KLA4A3B | 1SCA022280R0910 | 28 | Steel sheet enclosed switch-disconnector | OTP125BA3B | 1SCA022389R7420 | 19 | Plastic enclosed switch-disconnector |
| OT800KLA4A3BZ | 1SCA022302R9570 | 24 | Steel sheet enclosed switch-disconnector | OTP125BA3M | 1SCA022812R7420 | 19 | Plastic enclosed switch-disconnector |
| OT800KLA4A3C | 1SCA022389R8310 | 40 | Steel sheet enclosed change-over switch | OTP125BA3U | 1SCA022401R3940 | 19 | Plastic enclosed switch-disconnector |
| OT800KLA4A4B | 1SCA022337R4830 | 29 | Steel sheet enclosed switch-disconnector | OTP125BA4B | 1SCA022571R8510 | 20 | Plastic enclosed switch-disconnector |
| OT800KLA4A4BZ | 1SCA022342R7460 | 26 | Steel sheet enclosed switch-disconnector | OTP125BA4M | 1SCA022812R7510 | 20 | Plastic enclosed switch-disconnector |
| OT800KLA4A4C | 1SCA022580R4340 | 40 | Steel sheet enclosed change-over switch | OTP125BA4U | 1SCA022459R7160 | 20 | Plastic enclosed switch-disconnector |
| OT800KLA4A6BZ | 1SCA022834R1340 | 27 | Steel sheet enclosed switch-disconnector | OTP125BA6B | 1SCA022401R7510 | 21 | Plastic enclosed switch-disconnector |
| OT800KLUU3BZ | 1SCA022750R1600 | 24 | Steel sheet enclosed switch-disconnector | OTP125BA6M | 1SCA022812R7690 | 21 | Plastic enclosed switch-disconnector |
| OT800KLUU4BZ | 1SCA022830R4570 | 26 | Steel sheet enclosed switch-disconnector | OTP125BA6U | 1SCA022401R7690 | 21 | Plastic enclosed switch-disconnector |
| OT800KLUU6BZ | 1SCA022834R1690 | 27 | Steel sheet enclosed switch-disconnector | OTP16B3M | 1SCA022383R2130 | 15 | Plastic enclosed switch-disconnector |
| OTL100B3B | 1SCA022562R8350 | 23 | Steel sheet enclosed switch-disconnector | OTP16B3M25 | 1SCA022699R2880 | 15 | Plastic enclosed switch-disconnector |
| OTL100B3U | 1SCA022562R8430 | 23 | Steel sheet enclosed switch-disconnector | OTP16B3P | 1SCA022383R0940 | 15 | Plastic enclosed switch-disconnector |
| OTL100B4B | 1SCA022562R8510 | 25 | Steel sheet enclosed switch-disconnector | OTP16B4M | 1SCA022401R4160 | 16 | Plastic enclosed switch-disconnector |
| OTL100B4U | 1SCA022562R8600 | 25 | Steel sheet enclosed switch-disconnector | OTP16B4P | 1SCA022419R8620 | 16 | Plastic enclosed switch-disconnector |
| OTL100BA3B | 1SCA022562R8940 | 30 | Steel sheet enclosed switch-disconnector | OTP16B6M | 1SCA022401R5560 | 17 | Plastic enclosed switch-disconnector |
| OTL100BA3U | 1SCA022562R9080 | 30 | Steel sheet enclosed switch-disconnector | OTP16B6P | 1SCA022401R5480 | 17 | Plastic enclosed switch-disconnector |
| OTL100BA4B | 1SCA022562R9160 | 30 | Steel sheet enclosed switch-disconnector | OTP16BA3M | 1SCA022401R3350 | 19 | Plastic enclosed switch-disconnector |
| OTL100BA4U | 1SCA022562R9240 | 30 | Steel sheet enclosed switch-disconnector | OTP16BA3M25 | 1SCA022699R2960 | 19 | Plastic enclosed switch-disconnector |
| OTL125B3B | 1SCA022562R9590 | 23 | Steel sheet enclosed switch-disconnector | OTP16BA3MS | 1SCA022643R0530 | 22 | Plastic enclosed switch-disconnector |
| OTL125B3U | 1SCA022562R9670 | 23 | Steel sheet enclosed switch-disconnector | OTP16BA3P | 1SCA022389R6880 | 19 | Plastic enclosed switch-disconnector |
| OTL125B4B | 1SCA022562R9830 | 25 | Steel sheet enclosed switch-disconnector | OTP16BA4M | 1SCA022459R6510 | 20 | Plastic enclosed switch-disconnector |
| OTL125B4U | 1SCA022562R9910 | 25 | Steel sheet enclosed switch-disconnector | OTP16BA4MS | 1SCA022643R0610 | 22 | Plastic enclosed switch-disconnector |
| OTL125BA3B | 1SCA022563R0250 | 30 | Steel sheet enclosed switch-disconnector | OTP16BA4P | 1SCA022401R4080 | 20 | Plastic enclosed switch-disconnector |
| OTL125BA3U | 1SCA022563R0330 | 30 | Steel sheet enclosed switch-disconnector | OTP16BA6M | 1SCA022401R6880 | 21 | Plastic enclosed switch-disconnector |
| OTL125BA4B | 1SCA022563R0410 | 30 | Steel sheet enclosed switch-disconnector | OTP16BA6P | 1SCA022394R5330 | 21 | Plastic enclosed switch-disconnector |
| OTL125BA4U | 1SCA022563R0500 | 30 | Steel sheet enclosed switch-disconnector | OTP16BA8MS | 1SCA022643R0700 | 22 | Plastic enclosed switch-disconnector |
| OTL16B3M | 1SCA022562R1260 | 23 | Steel sheet enclosed switch-disconnector | OTP16HB3M | 1SCA022401R2970 | 15 | Plastic enclosed switch-disconnector |
| OTL16B4M | 1SCA022562R4120 | 25 | Steel sheet enclosed switch-disconnector | OTP16HB3M25 | 1SCA022699R3690 | 15 | Plastic enclosed switch-disconnector |
| OTL16B6M | 1SCA022562R1690 | 27 | Steel sheet enclosed switch-disconnector | OTP16HB3P | 1SCA022389R6700 | 15 | Plastic enclosed switch-disconnector |
| OTL16BA3M | 1SCA022562R1850 | 30 | Steel sheet enclosed switch-disconnector | OTP16HB3U | 1SCA022401R3010 | 15 | Plastic enclosed switch-disconnector |
| OTL16BA4M | 1SCA022562R2070 | 30 | Steel sheet enclosed switch-disconnector | OTP25B3M | 1SCA022383R2640 | 15 | Plastic enclosed switch-disconnector |
| OTL16BA6M | 1SCA022562R2230 | 31 | Steel sheet enclosed switch-disconnector | OTP25B3P | 1SCA022383R2560 | 15 | Plastic enclosed switch-disconnector |
| OTL25B3M | 1SCA022562R2400 | 23 | Steel sheet enclosed switch-disconnector | OTP25B4M | 1SCA022401R4320 | 16 | Plastic enclosed switch-disconnector |
| OTL25B4M | 1SCA022562R2660 | 25 | Steel sheet enclosed switch-disconnector | OTP25B4P | 1SCA022401R4240 | 16 | Plastic enclosed switch-disconnector |
| OTL25B6M | 1SCA022562R2820 | 27 | Steel sheet enclosed switch-disconnector | OTP25B6M | 1SCA022401R5720 | 17 | Plastic enclosed switch-disconnector |
| OTL25BA3M | 1SCA022562R3040 | 30 | Steel sheet enclosed switch-disconnector | OTP25B6P | 1SCA022401R5640 | 17 | Plastic enclosed switch-disconnector |
| OTL25BA4M | 1SCA022562R3210 | 30 | Steel sheet enclosed switch-disconnector | OTP25BA3M | 1SCA022401R3430 | 19 | Plastic enclosed switch-disconnector |
| OTL25BA6M | 1SCA022562R3470 | 31 | Steel sheet enclosed switch-disconnector | OTP25BA3P | 1SCA022389R6960 | 19 | Plastic enclosed switch-disconnector |
| OTL32B3M | 1SCA022562R3630 | 23 | Steel sheet enclosed switch-disconnector | OTP25BA4M | 1SCA022459R6600 | 20 | Plastic enclosed switch-disconnector |
| OTL32B4M | 1SCA022562R3800 | 25 | Steel sheet enclosed switch-disconnector | OTP25BA4P | 1SCA022433R8140 | 20 | Plastic enclosed switch-disconnector |
| OTL32B6M | 1SCA022562R4010 | 27 | Steel sheet enclosed switch-disconnector | OTP25BA6M | 1SCA022401R6960 | 21 | Plastic enclosed switch-disconnector |
| OTL32BA3M | 1SCA022562R4100 | 30 | Steel sheet enclosed switch-disconnector | OTP25BA6P | 1SCA022394R5410 | 21 | Plastic enclosed switch-disconnector |
| OTL32BA4M | 1SCA022562R4360 | 30 | Steel sheet enclosed switch-disconnector | OTP32B3M | 1SCA022389R8400 | 15 | Plastic enclosed switch-disconnector |
| OTL32BA6M | 1SCA022562R4520 | 31 | Steel sheet enclosed switch-disconnector | OTP32B3P | 1SCA022389R7510 | 15 | Plastic enclosed switch-disconnector |
| OTL45B3M | 1SCA022562R4790 | 23 | Steel sheet enclosed switch-disconnector | OTP32B4M | 1SCA022401R4590 | 16 | Plastic enclosed switch-disconnector |
| OTL45B4M | 1SCA022562R4950 | 25 | Steel sheet enclosed switch-disconnector | OTP32B4P | 1SCA022401R4410 | 16 | Plastic enclosed switch-disconnector |
| OTL45B6B | 1SCA022610R4730 | 27 | Steel sheet enclosed switch-disconnector | OTP32B6M | 1SCA022401R5990 | 17 | Plastic enclosed switch-disconnector |
| OTL45B6U | 1SCA022610R4810 | 27 | Steel sheet enclosed switch-disconnector | OTP32B6P | 1SCA022401R5810 | 17 | Plastic enclosed switch-disconnector |
| OTL45BA3M | 1SCA022562R5330 | 30 | Steel sheet enclosed switch-disconnector | OTP32BA3M | 1SCA022401R3510 | 19 | Plastic enclosed switch-disconnector |
| OTL45BA4M | 1SCA022562R5500 | 30 | Steel sheet enclosed switch-disconnector | OTP32BA3MS | 1SCA022643R0880 | 22 | Plastic enclosed switch-disconnector |
| OTL45BA6B | 1SCA022610R5110 | 31 | Steel sheet enclosed switch-disconnector | OTP32BA3P | 1SCA022389R7000 | 19 | Plastic enclosed switch-disconnector |
| OTL45BA6U | 1SCA022610R5200 | 31 | Steel sheet enclosed switch-disconnector | OTP32BA4M | 1SCA022459R6780 | 20 | Plastic enclosed switch-disconnector |
| OTL63B3M | 1SCA022562R5920 | 23 | Steel sheet enclosed switch-disconnector | OTP32BA4P | 1SCA022433R8220 | 20 | Plastic enclosed switch-disconnector |
| OTL63B4M | 1SCA022562R6140 | 25 | Steel sheet enclosed switch-disconnector | OTP32BA6M | 1SCA022401R7000 | 21 | Plastic enclosed switch-disconnector |
| OTL63B6B | 1SCA022610R4900 | 27 | Steel sheet enclosed switch-disconnector | OTP32BA6P | 1SCA022394R5680 | 21 | Plastic enclosed switch-disconnector |
| OTL63B6U | 1SCA022610R5030 | 27 | Steel sheet enclosed switch-disconnector | OTP32BA8MS | 1SCA022643R1000 | 22 | Plastic enclosed switch-disconnector |
| OTL63BA3M | 1SCA022562R6570 | 30 | Steel sheet enclosed switch-disconnector | OTP45B3M | 1SCA022383R3020 | 15 | Plastic enclosed switch-disconnector |
| OTL63BA4M | 1SCA022562R6730 | 30 | Steel sheet enclosed switch-disconnector | OTP45B3P | 1SCA022383R2990 | 15 | Plastic enclosed switch-disconnector |
| OTL63BA6B | 1SCA022610R5380 | 31 | Steel sheet enclosed switch-disconnector | OTP45B4M | 1SCA022401R4750 | 16 | Plastic enclosed switch-disconnector |
| OTL63BA6U | 1SCA022610R5460 | 31 | Steel sheet enclosed switch-disconnector | OTP45B4P | 1SCA022401R4670 | 16 | Plastic enclosed switch-disconnector |
| OTP125B3B | 1SCA022383R3700 | 15 | Plastic enclosed switch-disconnector | OTP45B6M | 1SCA022401R6110 | 17 | Plastic enclosed switch-disconnector |
| OTP125B3M | 1SCA022812R7180 | 15 | Plastic enclosed switch-disconnector | OTP45B6P | 1SCA022401R6020 | 17 | Plastic enclosed switch-disconnector |
| OTP125B3U | 1SCA022401R3270 | 15 | Plastic enclosed switch-disconnector | OTP45BA3M | 1SCA022401R3600 | 19 | Plastic enclosed switch-disconnector |
| OTP125B4B | 1SCA022401R5210 | 16 | Plastic enclosed switch-disconnector | OTP45BA3P | 1SCA022389R7180 | 19 | Plastic enclosed switch-disconnector |
| OTP125B4M | 1SCA022812R7260 | 16 | Plastic enclosed switch-disconnector | OTP45BA4M | 1SCA022459R6860 | 20 | Plastic enclosed switch-disconnector |

| Type | Order number | Page | Description | Type | Order number | Page | Description |
|------------|-----------------|------|--|----------------|-----------------|------|--|
| OTP45BA4P | 1SCA022571R5080 | 20 | Plastic enclosed switch-disconnector | OTR25BA6M | 1SCA022575R3090 | 35 | Stainless steel sheet enclosed switch-disconnector |
| OTP45BA6M | 1SCA022401R7180 | 21 | Plastic enclosed switch-disconnector | OTR32B3M | 1SCA022567R9850 | 32 | Stainless steel sheet enclosed switch-disconnector |
| OTP45BA6P | 1SCA022394R5840 | 21 | Plastic enclosed switch-disconnector | OTR32B4M | 1SCA022568R1410 | 32 | Stainless steel sheet enclosed switch-disconnector |
| OTP63B3M | 1SCA022383R3450 | 15 | Plastic enclosed switch-disconnector | OTR32B6M | 1SCA022575R3250 | 33 | Stainless steel sheet enclosed switch-disconnector |
| OTP63B3P | 1SCA022383R3370 | 15 | Plastic enclosed switch-disconnector | OTR32BA3M | 1SCA022569R5970 | 34 | Stainless steel sheet enclosed switch-disconnector |
| OTP63B4M | 1SCA022401R4910 | 16 | Plastic enclosed switch-disconnector | OTR32BA4M | 1SCA022569R6010 | 34 | Stainless steel sheet enclosed switch-disconnector |
| OTP63B4P | 1SCA022401R4830 | 16 | Plastic enclosed switch-disconnector | OTR32BA6M | 1SCA022575R3410 | 35 | Stainless steel sheet enclosed switch-disconnector |
| OTP63B6M | 1SCA022401R6370 | 17 | Plastic enclosed switch-disconnector | OTR45B3M | 1SCA022567R0010 | 32 | Stainless steel sheet enclosed switch-disconnector |
| OTP63B6P | 1SCA022401R6290 | 17 | Plastic enclosed switch-disconnector | OTR45B4M | 1SCA022568R1670 | 32 | Stainless steel sheet enclosed switch-disconnector |
| OTP63BA3M | 1SCA022401R3780 | 19 | Plastic enclosed switch-disconnector | OTR45B6B | 1SCA022611R6660 | 33 | Stainless steel sheet enclosed switch-disconnector |
| OTP63BA3P | 1SCA022389R7260 | 19 | Plastic enclosed switch-disconnector | OTR45B6U | 1SCA022611R6820 | 33 | Stainless steel sheet enclosed switch-disconnector |
| OTP63BA4M | 1SCA022459R6940 | 20 | Plastic enclosed switch-disconnector | OTR45BA3M | 1SCA022569R6350 | 34 | Stainless steel sheet enclosed switch-disconnector |
| OTP63BA4P | 1SCA022571R5160 | 20 | Plastic enclosed switch-disconnector | OTR45BA4M | 1SCA022569R6430 | 34 | Stainless steel sheet enclosed switch-disconnector |
| OTP63BA6M | 1SCA022401R7260 | 21 | Plastic enclosed switch-disconnector | OTR45BA6B | 1SCA022611R6910 | 35 | Stainless steel sheet enclosed switch-disconnector |
| OTP63BA6P | 1SCA022394R5760 | 21 | Plastic enclosed switch-disconnector | OTR45BA6U | 1SCA022611R7040 | 35 | Stainless steel sheet enclosed switch-disconnector |
| OTR100B3B | 1SCA022568R0510 | 32 | Stainless steel sheet enclosed switch-disconnector | OTR63B3M | 1SCA022567R0270 | 32 | Stainless steel sheet enclosed switch-disconnector |
| OTR100B3U | 1SCA022568R0600 | 32 | Stainless steel sheet enclosed switch-disconnector | OTR63B4M | 1SCA022568R1830 | 32 | Stainless steel sheet enclosed switch-disconnector |
| OTR100B4B | 1SCA022568R2130 | 32 | Stainless steel sheet enclosed switch-disconnector | OTR63B6B | 1SCA022611R7120 | 33 | Stainless steel sheet enclosed switch-disconnector |
| OTR100B4U | 1SCA022568R2210 | 32 | Stainless steel sheet enclosed switch-disconnector | OTR63B6U | 1SCA022611R7210 | 33 | Stainless steel sheet enclosed switch-disconnector |
| OTR100BA3B | 1SCA022569R7320 | 34 | Stainless steel sheet enclosed switch-disconnector | OTR63BA3M | 1SCA022569R6780 | 34 | Stainless steel sheet enclosed switch-disconnector |
| OTR100BA3U | 1SCA022569R7590 | 34 | Stainless steel sheet enclosed switch-disconnector | OTR63BA4M | 1SCA022569R6860 | 34 | Stainless steel sheet enclosed switch-disconnector |
| OTR100BA4B | 1SCA022569R7410 | 34 | Stainless steel sheet enclosed switch-disconnector | OTR63BA6B | 1SCA022611R7390 | 35 | Stainless steel sheet enclosed switch-disconnector |
| OTR100BA4U | 1SCA022569R7670 | 34 | Stainless steel sheet enclosed switch-disconnector | OTR63BA6U | 1SCA022611R7470 | 35 | Stainless steel sheet enclosed switch-disconnector |
| OTR125B3B | 1SCA022568R0780 | 32 | Stainless steel sheet enclosed switch-disconnector | OTZC13 | 1SCA022767R6910 | 51 | Bridging bar |
| OTR125B3U | 1SCA022568R0860 | 32 | Stainless steel sheet enclosed switch-disconnector | OTZC14 | 1SCA022767R7040 | 51 | Bridging bar |
| OTR125B4B | 1SCA022568R2300 | 32 | Stainless steel sheet enclosed switch-disconnector | OTZC23 | 1SCA022767R7120 | 51 | Bridging bar |
| OTR125B4U | 1SCA022568R2480 | 32 | Stainless steel sheet enclosed switch-disconnector | OTZC24 | 1SCA022767R7210 | 51 | Bridging bar |
| OTR125BA3B | 1SCA022569R7750 | 34 | Stainless steel sheet enclosed switch-disconnector | OTZC33 | 1SCA022785R7020 | 51 | Bridging bar |
| OTR125BA3U | 1SCA022569R7910 | 34 | Stainless steel sheet enclosed switch-disconnector | OTZC34 | 1SCA022785R7110 | 51 | Bridging bar |
| OTR125BA4B | 1SCA022569R7830 | 34 | Stainless steel sheet enclosed switch-disconnector | OTZR1 | 1SCA100352R1001 | 51 | Reversing bar |
| OTR125BA4U | 1SCA022569R8050 | 34 | Stainless steel sheet enclosed switch-disconnector | OTZR2 | 1SCA104647R1001 | 51 | Reversing bar |
| OTR16B3M | 1SCA022567R9420 | 32 | Stainless steel sheet enclosed switch-disconnector | OTZR3 | 1SCA100355R1001 | 51 | Reversing bar |
| OTR16B4M | 1SCA022568R1080 | 32 | Stainless steel sheet enclosed switch-disconnector | OZXA32 | 1SCA022683R4110 | 51 | Connection bar |
| OTR16B6M | 1SCA022575R2440 | 33 | Stainless steel sheet enclosed switch-disconnector | OZXA33 | 1SCA022685R0310 | 51 | Connection bar |
| OTR16BA3M | 1SCA022569R5110 | 34 | Stainless steel sheet enclosed switch-disconnector | OZXA38 | 1SCA022790R3740 | 51 | Connection bar |
| OTR16BA4M | 1SCA022569R5200 | 34 | Stainless steel sheet enclosed switch-disconnector | OZXA39 | 1SCA022785R2490 | 51 | Connection bar |
| OTR16BA6M | 1SCA022575R2610 | 35 | Stainless steel sheet enclosed switch-disconnector | OZXK1 | 2CMA144522R1000 | 50 | Auxiliary contacts |
| OTR25B3M | 1SCA022567R9690 | 32 | Stainless steel sheet enclosed switch-disconnector | OZXK12 | 2CMA144521R1000 | 50 | Auxiliary contacts |
| OTR25B4M | 1SCA022568R1240 | 32 | Stainless steel sheet enclosed switch-disconnector | YJTB3 | 1SCA122170R1001 | 57 | Condensation water outlet |
| OTR25B6M | 1SCA022575R2870 | 33 | Stainless steel sheet enclosed switch-disconnector | YMF-MB10215 | 1SCA022191R2170 | 55 | Cover plate, I/B |
| OTR25BA3M | 1SCA022569R5540 | 34 | Stainless steel sheet enclosed switch-disconnector | YMF-MB10345 | 1SCA010352R7030 | 55 | Screw for cover plate |
| OTR25BA4M | 1SCA022569R5620 | 34 | Stainless steel sheet enclosed switch-disconnector | YMF-MB10674 | 1SCA022229R0010 | 55 | Mounting lugs |
| | | | | YMF-MB10661SET | 1SCA022715R9090 | 55 | II/C-flange |
| | | | | YMF-MB10662SET | 1SCA022715R9170 | 55 | II/C-flange |
| | | | | YMF-MK10440 | 1SCA022660R7130 | 55 | Gasket for cover plate, I/B |

Contact us

ABB Oy

Low Voltage Switches

P.O. Box 622

FI-65101 Vaasa, Finland

Phone: +358 10 22 11

Fax: +358 10 22 45708

E-Mail: firstname.surname@fi.abb.com

ABB AB

Cewe-Control

Box 1005

SE-611 29 Nyköping, Sweden

Phone: +46 155 29 50 00

Fax: +46 155 28 81 10

E-Mail: firstname.surname@se.abb.com

www.abb.com

The technical data and dimensions are valid at the time of printing. We reserve the right to subsequent alterations.

