



RDHV Rejilla doble deflexión horizontal-vertical de impulsión.

Elemento de difusión de aire tipo rejilla diseñada para su instalación en red de conductos en sistemas de aire acondicionado, calefacción y ventilación, que favorece la impulsión del flujo de aire en 4 sentidos.

CLASIFICACION

RDHV. Rejilla impulsión con lamas móviles horizontales delante, paralelas a la cota de dimensión mayor y verticales detrás, paralelas a la cota de menor dimensión.

RDHV+R. Rejilla impulsión con lamas móviles horizontales delante, paralelas a la cota de dimensión mayor y verticales detrás, paralelas a la cota de menor dimensión con compuerta de regulación caudal manual accionable por palanca.

MATERIAL

Aluminio extrusionado.

ACABADOS

Anodizado (AL): Color plata mate.
Blanco (BL): Color blanco Ral 9010.
Bruto (BR): Color aluminio natural.
Otros Ral: Consultar.

MEDIDAS DE FABRICACION

Sin regulación caudal:
Longitud máxima 1.000mm / Altura máxima 600mm.
Con regulación caudal:
Longitud máxima 1.000mm / Altura máxima 450mm.
Otras medidas especiales: consultar.

SISTEMAS DE FIJACION

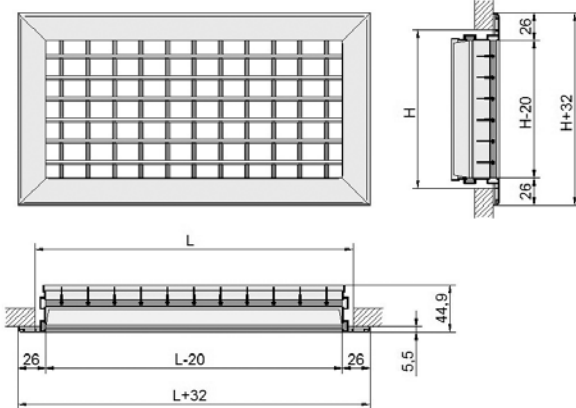
Fijación estándar. Clip (K). Precisa marco de montaje.
Fijación mecánica de seguridad. Tornillo (T).
Fijación mecánica de seguridad. Pestillo (P).

* Airzone prescribe que para el montaje de rejillas en techo, se utilice fijación mecánica de seguridad.

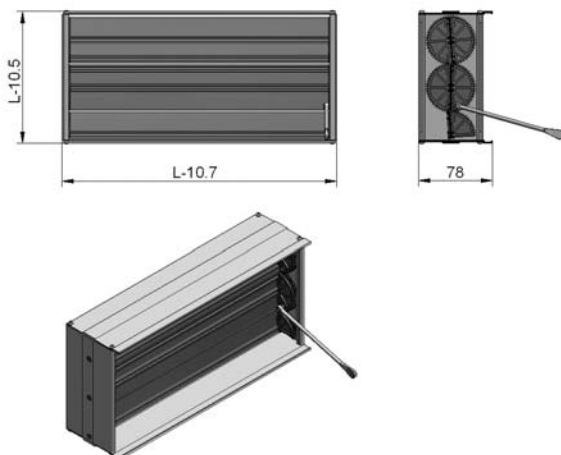
OPCIONALES / ACCESORIOS COMPATIBLES

Marco de montaje.
Plenums rejilla.
Compuerta regulación caudal.

RDHV



COMPUERTA REGULACIÓN CAUDAL MANUAL



RDHV

Rejilla doble deflexión horizontal-vertical de impulsión.

| AK (dm ²) | L x H (mm) | QV (m ³ /h) | | | | | | | | | | | | | | | | | | | | | |
|--------------------------|--------------------------------------|------------------------|------|------|------|------|------|------|------|------|------|------|------|------|------|------|------|------|------|------|------|------|------|
| | | 150 | | 200 | | 300 | | 400 | | 500 | | 700 | | 900 | | 1200 | | 1500 | | 3000 | | 5000 | |
| 1,05 | 200x100 | - | 4,3 | 18,0 | 5,8 | 27,0 | 8,6 | | | | | | | | | | | | | | | | |
| | | 4,0 | 10,0 | 5,3 | 17,0 | 8,0 | 38,0 | | | | | | | | | | | | | | | | |
| 1,52 | 300x100 200x150 | - | 3,6 | 15,0 | 4,7 | 20,0 | 6,1 | 27,0 | 9,6 | | | | | | | | | | | | | | |
| | | 2,7 | 4,8 | 3,7 | 7,6 | 5,5 | 18,0 | 6,2 | 32,0 | | | | | | | | | | | | | | |
| 2,28 | 400x100 450x100 300x150 200x200 | | | - | 3,9 | 16,0 | 5,9 | 19,0 | 7,8 | 24,0 | 9,8 | | | | | | | | | | | | |
| | | | | 2,4 | 3,8 | 3,6 | 7,6 | 4,8 | 14,0 | 6,1 | 22,0 | | | | | | | | | | | | |
| 2,85 | 500x100 250x100 | | | | | - | 5,3 | 15,0 | 6,3 | 20,0 | 8,7 | 28,0 | 13,0 | | | | | | | | | | |
| | | | | | | 2,9 | 4,8 | 3,9 | 10,0 | 4,8 | 14,0 | 6,8 | 28,0 | | | | | | | | | | |
| 3,8 | 600x100 400x150 300x200 250x250 | | | | | | | - | 6,0 | 16,0 | 7,6 | 22,0 | 11,0 | 28,0 | 14,0 | | | | | | | | |
| | | | | | | 2,9 | 4,8 | 3,7 | 7,6 | 5,1 | 6,0 | 6,5 | 26,0 | | | | | | | | | | |
| 4,66 | 800x100 700x100 500x150 400x200 | | | | | | | - | 5,5 | - | 6,8 | 18,0 | 9,6 | 24,0 | 13,0 | 30,0 | 17,0 | | | | | | |
| | | | | | | 2,4 | 3,8 | 2,9 | 5,7 | 4,2 | 10,0 | 5,4 | 17,0 | 7,1 | 30,0 | | | | | | | | |
| 5,7 | 1000x100 600x150 500x200 300x300 | | | | | | | | | - | 6,2 | 14,0 | 8,6 | 20,0 | 12,0 | 21,0 | 15,0 | 32,0 | 19,0 | | | | |
| | | | | | | | | 2,4 | 3,8 | 3,4 | 6,7 | 4,4 | 11,0 | 5,8 | 21,0 | 7,2 | 32,0 | | | | | | |
| 7,41 | 800x150 600x200 400x300 | | | | | | | | | | | - | 7,6 | 15,0 | 9,7 | 22,0 | 13,0 | 28,0 | 16,0 | | | | |
| | | | | | | | | 2,6 | 3,8 | 3,4 | 6,7 | 4,5 | 12,0 | 5,6 | 19,0 | | | | | | | | |
| 9,98 | 1000x150 800x200 500x300 400x400 | | | | | | | | | | | | | - | 8,4 | 18,0 | 12,0 | 22,0 | 14,0 | | | | |
| | | | | | | | | 2,5 | 3,8 | 3,4 | 6,7 | 4,2 | 10,0 | | | | | | | | | | |
| 12,5 | 1000x200 600x300 500x400 | | | | | | | | | | | | | | | - | 10,0 | 17,0 | 13,0 | 33,0 | 28,0 | | |
| | | | | | | | | 2,6 | 3,8 | 3,4 | 6,7 | 6,6 | 29,0 | | | | | | | | | | |
| 15,2 | 1000x250 800x300 600x400 | | | | | | | | | | | | | | | - | 10,0 | 14,0 | 13,1 | 29,0 | 25,0 | | |
| | | | | | | | | 2,2 | 2,9 | 2,7 | 4,8 | 5,4 | 17,0 | | | | | | | | | | |
| 19,95 | 1000x300 600x500 800x400 700x300 | | | | | | | | | | | | | | | | | - | 12,0 | 25,0 | 16,0 | 36,0 | - |
| | | | | | | | | 2,1 | 2,7 | 4,2 | 10,0 | 7,2 | 30,0 | | | | | | | | | | |
| 26,6 | 1000x400 900x400 800x500 700x600 | | | | | | | | | | | | | | | | | | | 19,0 | 19,0 | 31,0 | 30,0 |
| | | | | | | | | | | | | | | | | | | | | 3,2 | 5,7 | 5,3 | 16,0 |
| 33,25 | 1000x500 900x600 800x700 700x700 | | | | | | | | | | | | | | | | | | | | | 14,0 | 17,0 |
| | | | | | | | | | | | | | | | | | | | | 2,5 | 4,1 | 4,0 | 10,0 |
| 39,9 | 1000x700 1000x600 900x700 900x800 | | | | | | | | | | | | | | | | | | | | | - | 16,0 |
| | | | | | | | | | | | | | | | | | | | | 2,1 | 2,7 | 3,5 | 7,1 |

| | | | |
|----|----|---|-------------------------------|
| NR | Lt | NR: Nivel sonoro en dBA (Decibelios) | Lt: Alcance en metros |
| Vk | Pa | Vk: Velocidad en m/s (Metros por segundo) | Pa: Presión en Pa (Pascuales) |