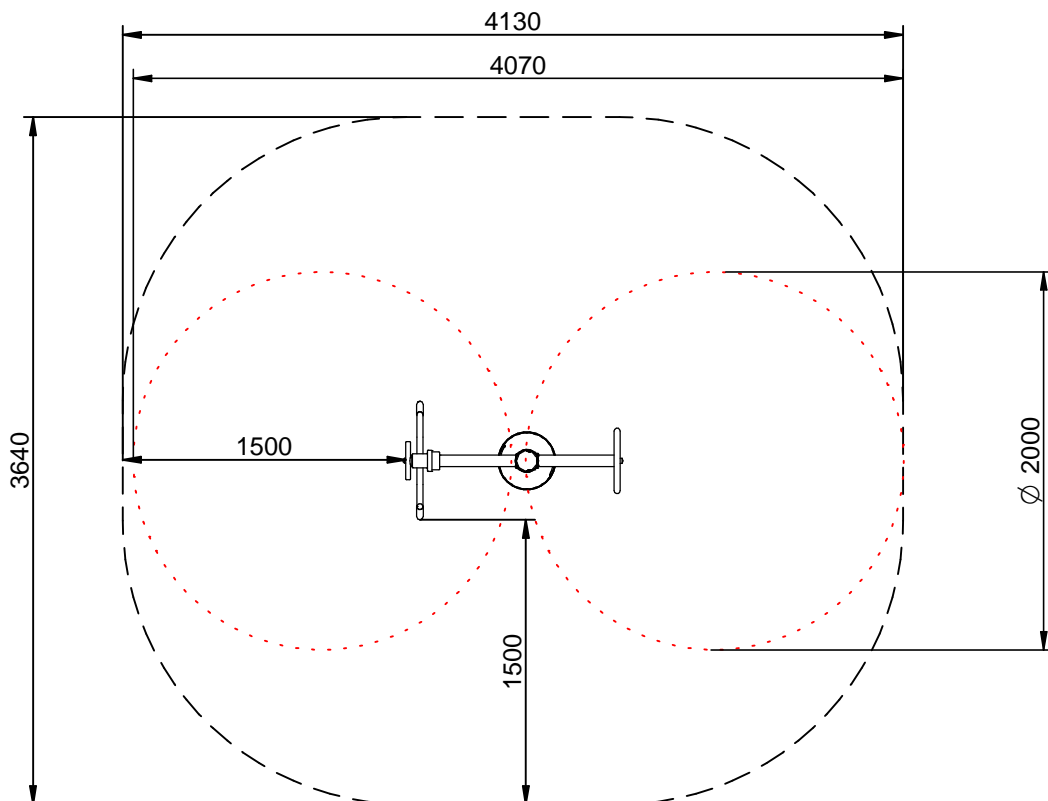
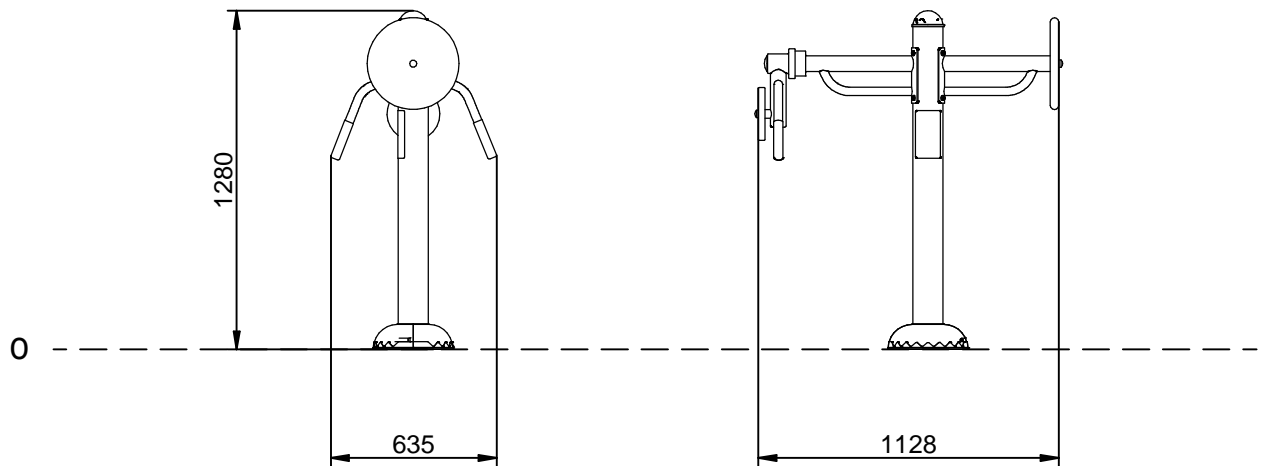


TIMÓN | GOUVERNAIL | RUDDER | VOLANTES GRANDES



Stotal = 13 m² H= 0 m