



Bosch Commercial and Industrial Heating

GE 615 Floor Standing High Efficiency Boiler
Revit Component User Guide

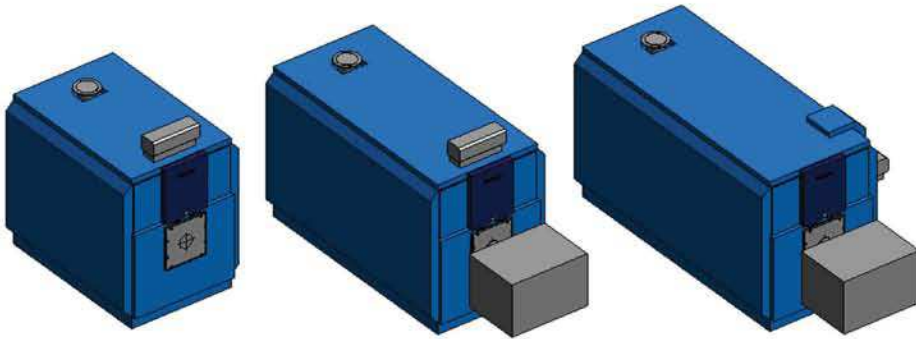


BOSCH

Invented for life

Buderus - GE 615 Floor Standing High Efficiency Boiler

The Buderus GE series includes a robust range of Ecostream boilers constructed from special Buderus GL 180 M grey cast iron which makes them extremely resistant to corrosion and high temperatures. 1 no. BIM component including 8 no. predefined types has been included in the download file to cater for the range of outputs and are illustrated below.



Available in outputs -
570kW, 660kW, 740kW, 820kW, 920kW, 1020kW, 1110kW, 1200kW

Loading the Buderus GE 615 in to your project

The Buderus GE 615 high efficiency boilers are modelled as mechanical equipment families that can be simply loaded in to your project. This can be done using the following method:

1. Open your Revit project file (.rvt), and navigate to a floor plan view.
2. Now open the GE 615 boiler component (.rfa) you have just downloaded from bimstore. Use the Revit ribbon at the top of the screen to navigate to the 'family editor' and click the 'Load into Project' button.

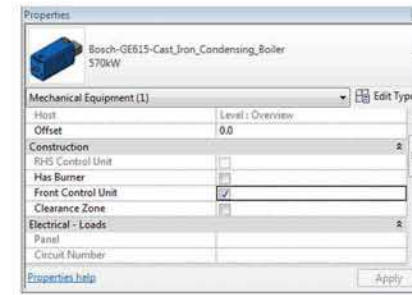


3. The component can now be placed in your project and can also be selected from the 'components' drop down on the main Revit ribbon.

Using the Buderus GE 615 high efficiency boiler additional features

The Buderus GE 615 components have a number of additional built-in features to assist the user when specifying and placing the BIM component, these include manufacturer approved clearance zones, control panel position and burner. To use these additional features please follow the steps below;

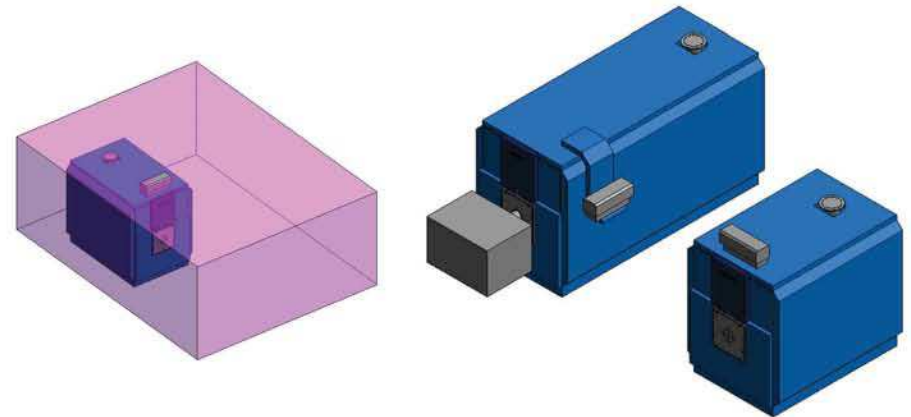
1. With the component loaded and positioned in your project select the GE 615 boiler. Once selected the 'Properties' dialogue box will appear (typically on the left hand side of the screen).



2. Scroll down the 'Properties' dialogue box until you reach the heading 'Construction' as illustrated. Here you have a selectable / adjustable feature for the clearance zone, control panel position and burner.

3. Tick the selected option for the 'Clearance Zone' and click 'Apply' to activate it.

4. The 'Has Burner' element can be turned on/off, and the control unit position adjusted from the front to the RHS. Adjust the parameters accordingly and click 'Apply' to activate.



Other Notes

You can add the Buderus GE 615 Floor Standing High Efficiency Boiler components to your company template file, they will then be available without loading when starting a new project.

Revisions

Version 1.0 - First Issue



BOSCH

Invented for life

Cotswold Way
Warndon
Worcester
WR4 9SW
T: 0330 1233004
E: commercial.industrial@uk.bosch.com

bimstore.co.uk

Spaceworks
Benton Park Road
Newcastle Upon Tyne
NE7 7LX
T: +44 (0)191 223 6600
E: info@bimstore.co.uk