

# 2-Channel Relay Output Module AC 230 V, DC 30 V

isolated outputs; 2 make contacts

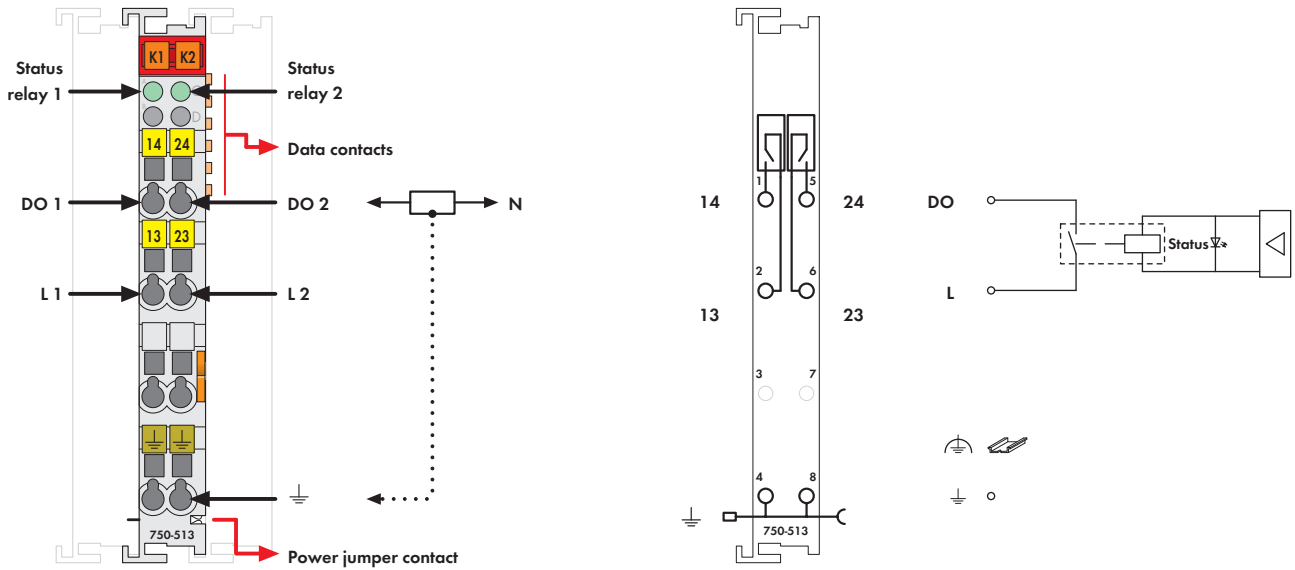


Fig. Series 750 / Technical data see page 28 / Delivery without Mini WSB marker  
Series 750 / 753 marking see pages 16 ... 17 / 18 ... 19

The connected load is switched via the digital output (relay contacts) from the control system.

The internal system voltage is used to trigger the relay.

The NO contacts are electrically isolated.

The switched status of the relay is shown by a LED.

Actuators with a ground (earth) wire may be directly connected to the module.

Description	Item no.	Pack. unit
2DO 230V AC 2.0A/ Relay 2NO/ Potential Free	750-513	10 <sup>1)</sup>
2DO 230V AC 2.0A/ Relay 2NO/ Potential Free / without power jumper	750-513/000-001	1
2DO 230V AC 2.0A/ Relay 2NO/ Potential Free (without connector)	753-513	10 <sup>1)</sup>
<sup>1)</sup> Also available individually		
Accessories	Item no.	Pack. unit
753 Series connector	753-110	25
Coding elements	753-150	100
<b>Miniature WSB quick marking system,</b>		
plain	248-501	5
with marking	see pages 256 ... 257	
Approvals		
Series 750 and 753		
Conformity marking	CE	
UL 508		
ANSI/ISA 12.12.01	Class I, Div. 2, Grp. ABCD, T4	
Series 750		
EN 60079-15	I M2 / II 3 GD Ex nC IIC T4	
Marine applications	see "Approvals Overview" in section 1	

Technical Data	
No. of outputs	2 make contacts
Current consumption max. (internal)	100 mA
Switching voltage (max.)	AC 250 V / DC 30 V
Switching power	500 VA / 60 W (resistive load)
	cos φ max. = 0.4; L/R max = 7 ms
Switching current (min.)	10 mA / 5 V DC
Switching current (max.)	AC / DC 2 A
Switching rate (max.)	30 / min (at nominal load)
Pull-in time (max.)	10 ms
Bounce time (typ.)	1.2 ms
Drop-out time (max.)	10 ms
Contact material	Silver alloy
Mechanical life	2 x 10 <sup>7</sup> switching operations
Electrical life	3 x 10 <sup>5</sup> switching operations
	(AC 2 A / 250 V) or (DC 2 A / 30 V)
Isolation	1.5 kV eff. (field/system)*;
	* 2.5 kV rated surge voltage;
	Overvoltage category III
Internal bit width	2 bits
Wire connection	CAGE CLAMP®
Cross sections	0.08 mm <sup>2</sup> ... 2.5 mm <sup>2</sup> / AWG 28 ... 14
Stripped lengths (750 / 753 Series)	8 ... 9 mm / 0.33 in
	9 ... 10 mm / 0.37 in
Width	12 mm
Weight	53.5 g
EMC  Immunity to interference	acc. to EN 50082-2 (1996)
EMC  Emission of interference	acc. to EN 50081-1 (1993)
EMC marine applications -	
Immunity to interference	acc. to Germanischer Lloyd (2003)
EMC marine applications -	
Emission of interference	acc. to Germanischer Lloyd (2003)