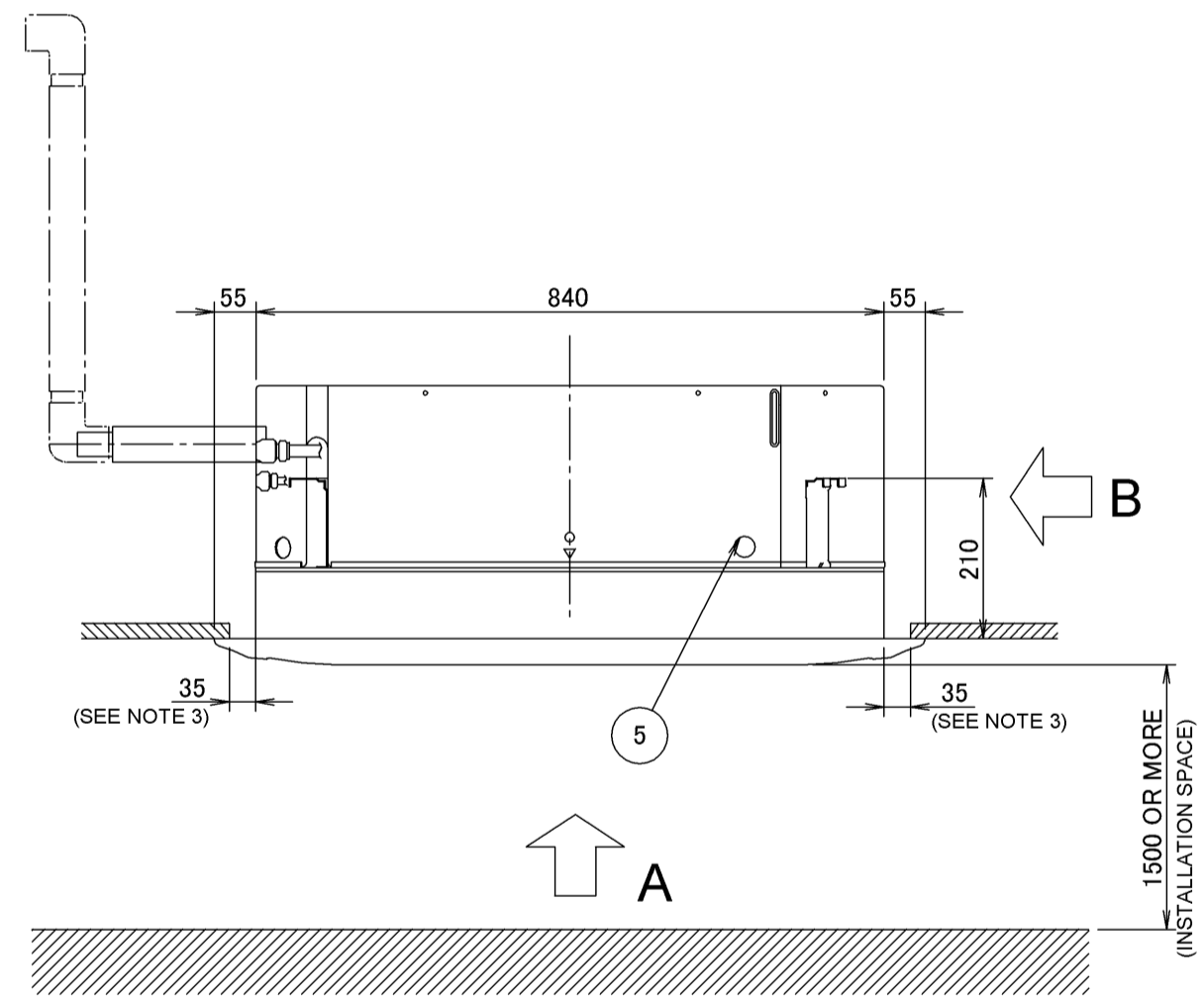
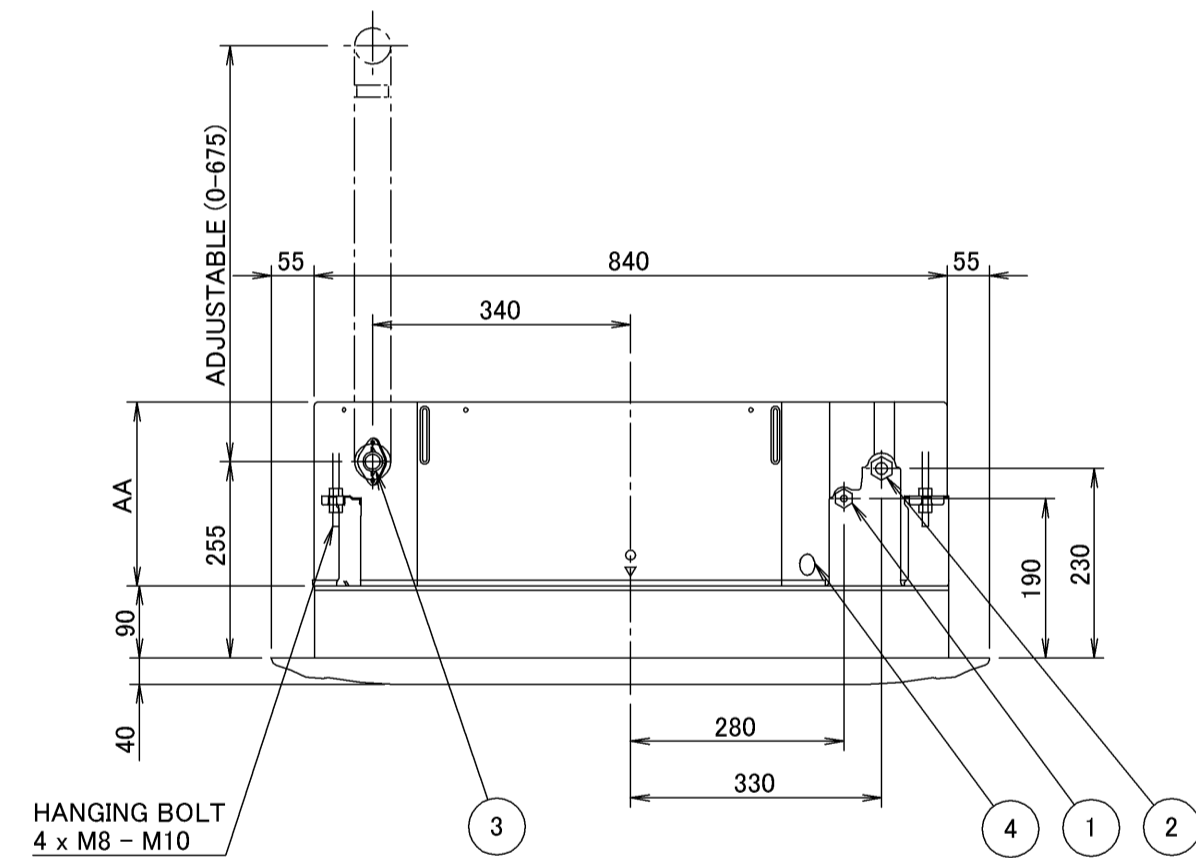
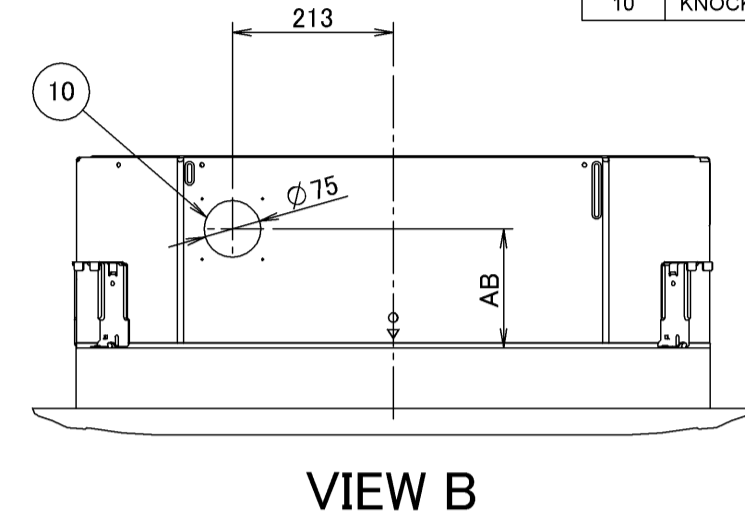
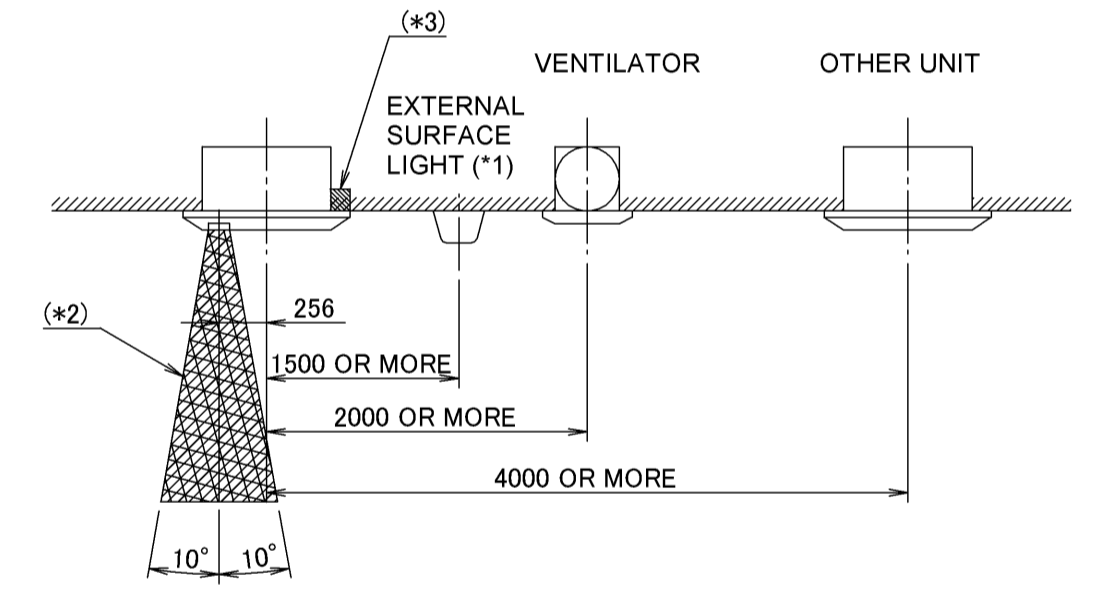


AA	AB	MODEL
204	140	FCQG35-71FVEB
246	180	FCQG100-140FVEB
288	180	FCQHG71-140FVEB

ITEM	NAME
1	LIQUID PIPE CONNECTION
2	GAS PIPE CONNECTION
3	DRAIN PIPE CONNECTION
4	POWER SUPPLY ENTRY HOLE
5	TRANSMISSION WIRING ENTRY HOLE
6	AIR DISCHARGE OPENING
7	AIR SUCTION GRILLE
8	CORNER DECORATION COVER
9	DRAIN HOSE
10	KNOCK OUT HOLE



6. PLEASE RESPECT THE DISTANCES AS SHOWN ON FIGURE BELOW.

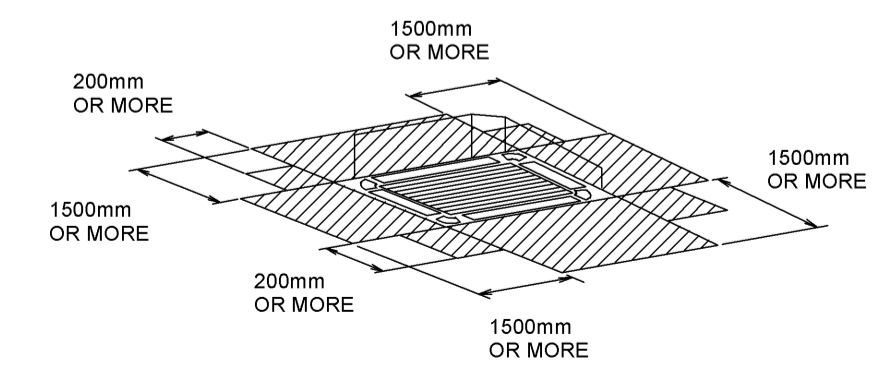
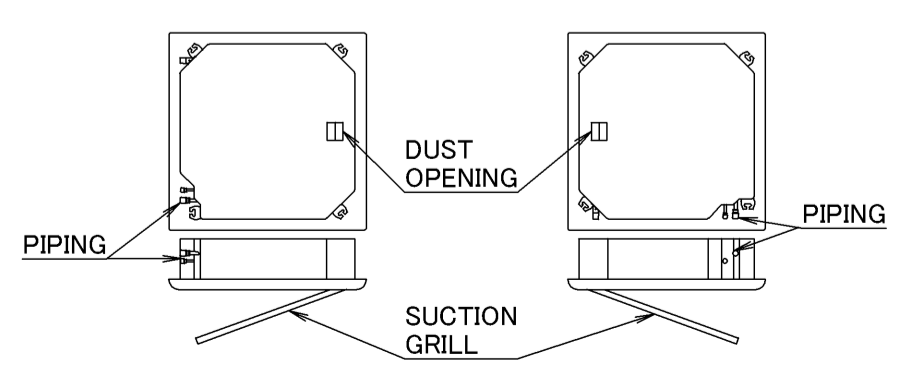


(*1) DOES NOT COUNT FOR BUILD IN LIGHT.
 (*2) SPACE NEEDED TO ENTER WITH VACUUM-CLEANER TUBE.
 (*3) KEEP THE EXHAUST OF DECORATION PANEL FREE.

NOTES:

- LOCATION OF THE NAMEPLATES:
 - UNIT BODY: ON THE CONTROL BOX COVER
 - DECORATION PANEL: ON THE PANEL FRAME AT THE PIPING SIDE UNDER THE CORNER COVER
- WHEN INSTALLING AN OPTIONAL ACCESSORY, REFER TO THE INSTALLATION DRAWINGS
 - FOR THE FRESH AIR INTAKE KIT AN INSPECTION PORT IS NECESSARY
- MAKE SURE THE SPACING BETWEEN THE CEILING AND THE CASSETTE IS NO MORE THAN 35mm MAX. CEILING OPENING: 910mm
- WHEN THE CONDITIONS EXCEED 30°C AND RH 80% IN THE CEILING OR FRESH AIR IS INDUCTED INTO THE CEILING, AN ADDITIONAL INSULATION IS REQUIRED (POLYETHYLENE FOAM, THICKNESS 10mm OR MORE)
- IN CASE OF USING A SENSOR KIT, THIS POSITION WILL BE A SENSOR. REFER TO THE DRAWING OF THE SENSOR KIT FOR MORE DETAIL

5. INSTALLATION DIRECTION



REQUIRED SPACE

IN CASE A DISCHARGE OPENING IS CLOSED WITH THE 'SEALING MEMBER' OPTION, THE DISTANCE OF 1500mm CAN BE REDUCED TO 500mm ON THE CLOSED SIDE.