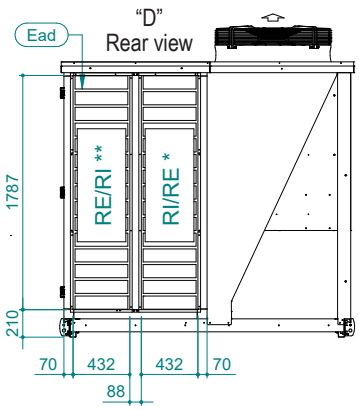
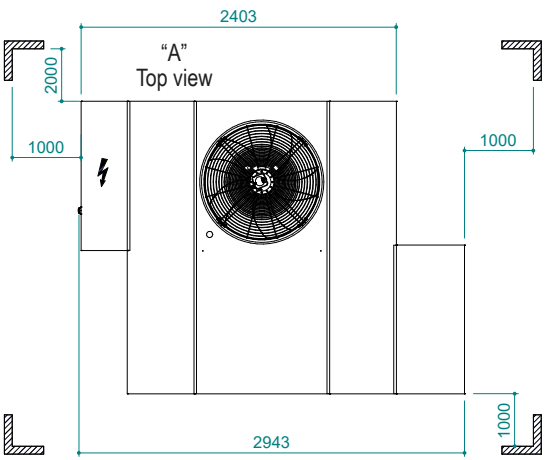
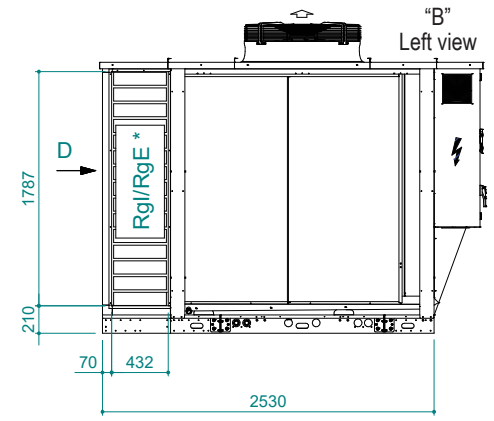
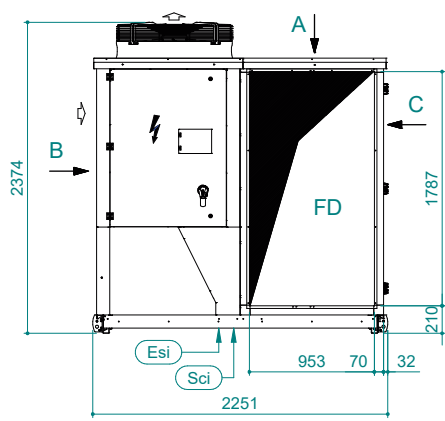
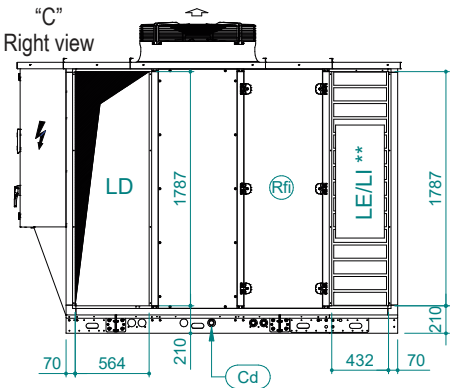


UATYA40-50BFC2Y1



| AIR DIRECTION | | | |
|---------------|-----------|--------|----------|
| Air direction | Discharge | Intake | External |
| Left | LD | LI | LE |
| Right | / | RgI | RgE |
| Rear | / | RI | RE |
| Front | FD | / | / |

| | | | | | |
|-----|--------------------------|-----|-----------------------|-----|-------------------------|
| Sci | Signal cables inlet | Ead | External air damper | Esi | Electrical supply inlet |
| Cd | Condensate drain 1" male | Rfi | Remove for inspection | | Clearances |

* Intake Damper as standard.
It can be changed as external damper changing the cabling in the electrical cabinet.

** External Damper as standard.
It can be changed as internal damper changing the cabling in the electrical cabinet.