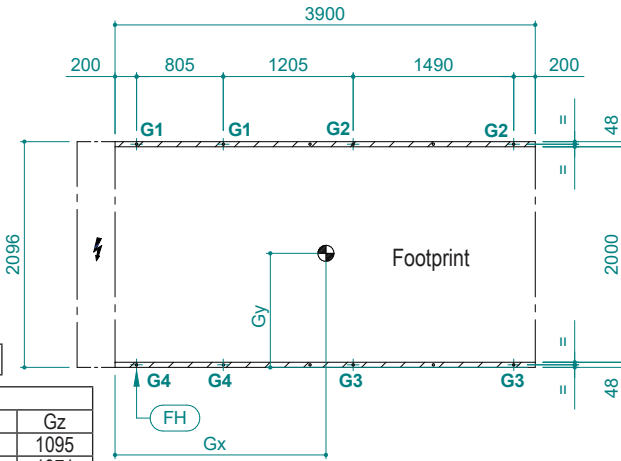
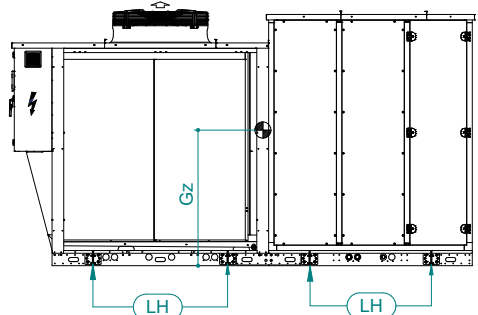


# UATYA80-120BBAY1



Fh	Fixing holes	Ø22	LH	Lifting point	G..	Vibration damper foot holds
----	--------------	-----	----	---------------	-----	-----------------------------

Model	Weight (kg)						(mm)		
	Shipping	Operating	G1	G2	G3	G4	Gx	Gy	Gz
UATYA80BBAY1	1837	1798	282	189	172	256	1792	1108	1095
UATYA90BBAY1	1895	1856	300	200	171	257	1775	1145	1071
UATYA100BBAY1	1961	1922	314	205	175	267	1757	1147	1071
UATYA110BBAY1	2047	2008	326	225	185	268	1778	1166	1064
UATYA120BBAY1	2057	2018	336	215	179	279	1727	1161	1050

Model	Rubber anti-vibration mounts				Boxes to be ordered *
	G1	G2	G3	G4	
UATYA80BBAY1	UATYAAVM1	UATYAAVM1	UATYAAVM1	UATYAAVM1	4 x UATYAAVM1
UATYA90BBAY1	UATYAAVM1	UATYAAVM1	UATYAAVM1	UATYAAVM1	4 x UATYAAVM1
UATYA100BBAY1	UATYAAVM1	UATYAAVM1	UATYAAVM1	UATYAAVM1	4 x UATYAAVM1
UATYA110BBAY1	UATYAAVM1	UATYAAVM1	UATYAAVM1	UATYAAVM1	4 x UATYAAVM1
UATYA120BBAY1	UATYAAVM1	UATYAAVM1	UATYAAVM1	UATYAAVM1	4 x UATYAAVM1

\* Each box contains 2 mount